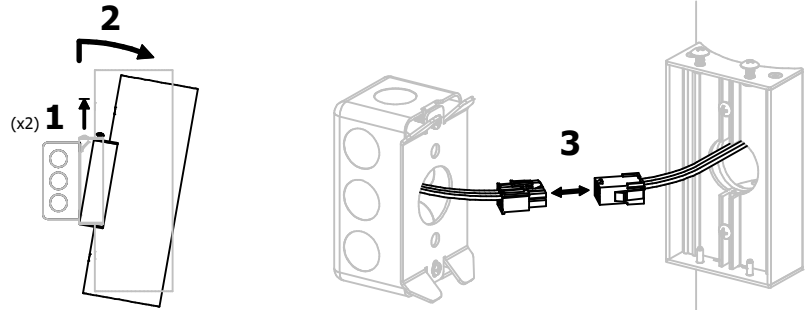


**WARNING - RISK OF FIRE AND ELECTRICAL SHOCK. FIXTURE MUST BE INSTALLED BY A QUALIFIED ELECTRICIAN ONLY. FIXTURE IS INTENDED FOR INSTALLATION IN ACCORDANCE WITH THE NATIONAL ELECTRICAL CODE, LOCAL AND FEDERAL SPECIFICATIONS. DISCONNECT POWER AT ELECTRICAL PANEL BEFORE SERVICING.**

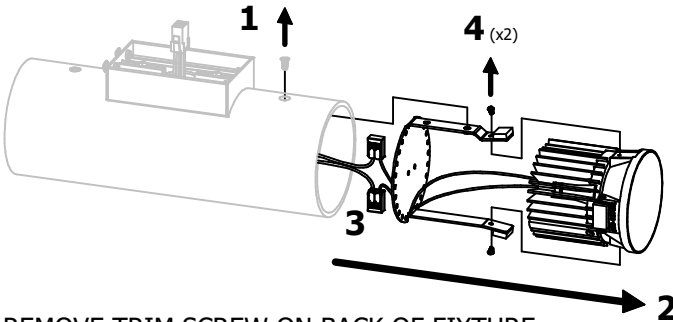
**RETAIN THESE INSTRUCTIONS FOR MAINTENANCE REFERENCE.**

**REMOVE FIXTURE FROM WALL**

- 1** LOOSEN (DON'T REMOVE) PHILLIPS SCREWS (x2) ON TOP OF WALL ARM BRACKET
- 2** LIFT FIXTURE AND TILT TOP AWAY FROM WALL
- 3** WHILE SUPPORTING FIXTURE, UNDO ELECTRICAL CONNECTION (FOR REMOTE OR POE FIXTURE, UNDO INDIVIDUAL WIRE CONNECTIONS)

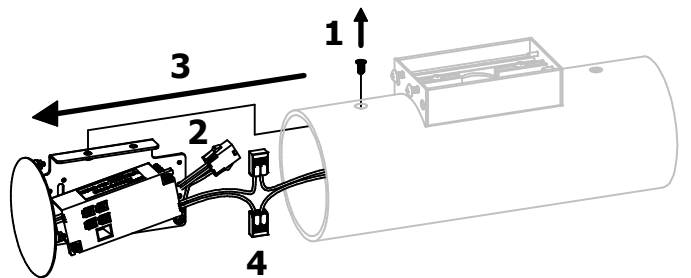


**ACCESS TRIM**



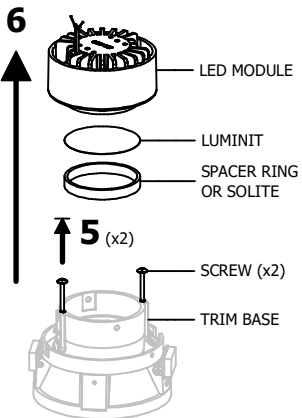
- 1** REMOVE TRIM SCREW ON BACK OF FIXTURE
- 2** REMOVE TRIM ASSEMBLY FROM FIXTURE
- 3** UNDO WIRE CONNECTIONS BETWEEN TRIM AND DRIVER
- 4** REMOVE SCREWS (x2) TO ISOLATE TRIM FROM BRACKET

**ACCESS DRIVER**



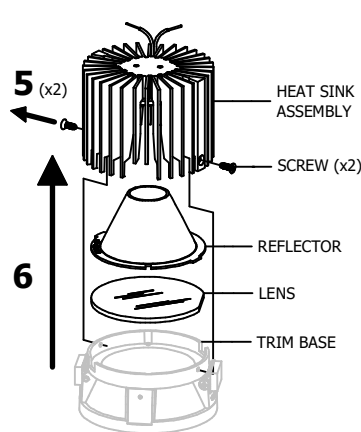
- 1** REMOVE DRIVER SCREW ON BACK OF FIXTURE
- 2** FEED WIRE HARNESS INTO FIXTURE CENTERHOLE
- 3** REMOVE DRIVER ASSEMBLY FROM FIXTURE
- 4** UNDO WIRE CONNECTIONS BETWEEN TRIM AND DRIVER

**OPEN TRIM**



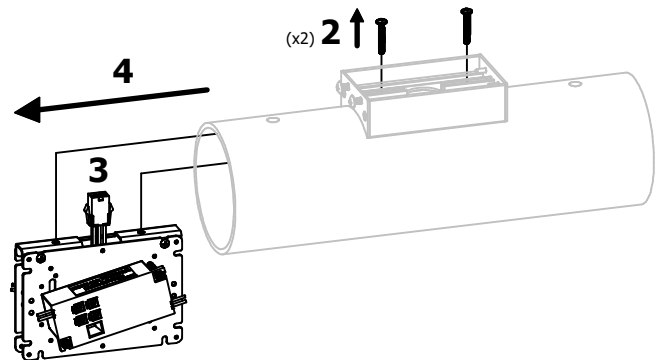
- 5** LOOSEN (DON'T REMOVE) SCREWS (x2)
- 6** ROTATE AND LIFT LED MODULE FROM BASE

**LENSED TRIM**



- 5** REMOVE SCREWS (x2)
- 6** LIFT HEAT SINK ASSEMBLY FROM BASE

**ACCESS DIRECT/INDIRECT DRIVERS**



- 1** REMOVE BOTH TRIMS FROM FIXTURE
- 2** REMOVE SCREWS ON WALL ARM BRACKET
- 3** FEED WIRE HARNESS INTO FIXTURE CENTERHOLE
- 4** REMOVE DRIVER ASSEMBLY FROM FIXTURE