

Rook® 350

3.5" Square Wall Mount
Direct or Indirect
Dim-To-Warm



Features

The contemporary Rook 350 Direct or Indirect Wall Mount is universal allowing the fixture to be mounted as a Direct or Indirect luminaire just by flipping its orientation. Rook 350 has the same optical performance as our Hornet 3.5" Downlights. With only a 3.5" aperture the Rook 350 can be used to add visual interest to walls or columns. The flush mount option is a perfect solution for ADA compliance. The Rook 350 cylinder family is available as a pendant, surface or wall mount allowing it to fit in any retail, hospitality or commercial environment. Our Dim-To-Warm option allows designers to simulate the familiar glow and dimming of incandescent lamps. By shifting to a lower Kelvin temperature, as you dim the lights, Dim-To-Warm can tap into the powerful mediums of light and color to enhance the experience and well-being.

Product Overview

Type:	Square Wall Mount, Direct or Indirect (Field changeable to indirect orientation)
Wattage:	13W
Lumen Output:	672 lm (RK350WS); 841 (RK350WSL)
Color Temp:	3000K to 1800K
CRI:	95 typ.
Dimming:	TRIAC & ELV (120V/277V) - 5% Dim 0-10V (120V/277V) - 1% Dim

Direct Only



PROJECT:

Indirect Only



TYPE:

Performance Chart

Watts	Delivered Lumens	LPW	CBOP	Color Temp
RK350WS				
13	672	51.7	3179	3000K-95
RK350WSL				
13	841	64.7	2380	3000K-95

Electrical Data

	13W	
	System Watts	Amps
120V	13	0.11
277V	13	0.05

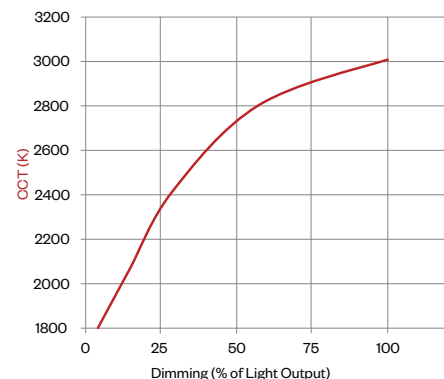
Electronic constant current LED driver

Max. Fixture Weights

Model	Weight (lbs)
RK350WS(L)-U	5.2
RK350WS(L)-U-REMOTE	4.2
RK350WS(L)-U (FWM)	4.0
RK350WS(L)-U-REMOTE (FWM)	2.8

Remote driver & driver box are not included in weight

Dim-To-Warm CCT Curve



Rook® 350

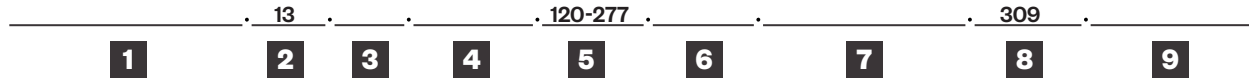
3.5" Square Wall Mount, Direct or Indirect, Dim-To-Warm



PROJECT:

TYPE:

Ordering Information



Open Unit

- 1** Model
RK350WS-U-DTW
RK350WS-U-DTW-REMOTE (remote driver)
- 2** Wattage
13
- 3** Housing Finish
MW - matte white
MB - matte black
SLV - matte silver
- 4** Mounting* (matches housing finish)
FWM - flush wall mount (ADA compliant)
WM - wall mount
CWM - canopy wall mount
CDWM - conduit canopy wall mount
- 5** Voltage
120-277
- 6** Trim Finish
MW - matte white
MB - matte black
SLV - matte silver
- 7** Beam Spread
VNF - narrow flood, 18°
MFL - medium flood, 24°
FL - flood, 28°
WF - wide flood, 45°
- 8** Color Temp
95 CRI
309 - 3000K-95
- 9** Driver
LE/TE - TRIAC/ELV dimming, 5% dim
0-10V - 0-10V dimming; 1% dim

Lensed Unit

- 1** Model
RK350WSL-U-DTW (Lensed)
RK350WSL-U-DTW-REMOTE (Lensed, remote driver)
- 2** Wattage
13
- 3** Housing Finish
MW - matte white
MB - matte black
SLV - matte silver
- 4** Mounting* (matches housing finish)
FWM - flush wall mount (ADA compliant)
WM - wall mount
CWM - canopy wall mount
CDWM - conduit canopy wall mount
- 5** Voltage
120-277
- 6** Trim Finish
MW - matte white
MB - matte black
SLV - matte silver
- 7** Beam Spread
30SOL - 30° solite lens
50SOL - 50° solite lens
65SOL - 65° solite lens
- 8** Color Temp
95 CRI
309 - 3000K-95
- 9** Driver
LE/TE - TRIAC/ELV dimming, 5% dim
0-10V - 0-10V dimming; 1% dim

* Note: Indirect Mounting Kit provided with all fixtures to mount fixture for uplighting. Not suggested for FWM option.

Rook® 350

3.5" Square Wall Mount, Direct or Indirect, Dim-To-Warm



PROJECT:

TYPE:

Specifications

Application

Commercial, hospitality and retail ambient/accent wall mounted fixtures.

Construction

Extruded aluminum pendant housing
Die-cast trim
Extruded aluminum heat sink
Fixture shipped with dust cover for use when fixture is used as indirect

Optical

RK350WS Beam Spreads:
Very Narrow Flood, 18°; Medium Flood, 24°; Flood, 35°; Wide Flood, 44°
RK350SLD Beam Spreads:
Solite Lens for maximum efficacy and a visually quieter aperture. 30°, 50° & 65° beam spread options. Visually best with SLV reflector finish.

LED

Color Temp Options: 3000K (Dims to 1800K)
CRI: 95 typ. (± 3 across dimming range)
R9 Values: 85
Binning: 3 MacAdam (SDCM)
Life: 50,000+ hrs, > 70% of initial lumens at 50,000 hrs

Electrical

Wattage: 13W
Electronic constant current LED driver, 120V-277V input
This product complies with IEEE C62.41 for surge endurance up to 2.5KV. Amerlux® recommends using additional surge protection with this unit (supplied by others), surge and over voltage damage is not covered under warranty.
For emergency: Remote EM inverter or emergency circuit by others
Remote Driver Wiring: Driver is supplied installed in remote driver box, (one driver per box), with 5' of low voltage plenum rated cable. Amerlux recommends a maximum of 15' between the fixture and the remote driver box. Consult factory with job specific electrical spec if more than 15' is required.

Drivers

LE/TE - Leading Edge, TRIAC, forward phase/Trailing Edge, ELV, reverse phase
0-10V and Lutron also available see ordering page

Finish

Powder coat paint
Consult factory for custom finishes

Mounting

Wall mounted (direct orientation), see options on pg 4

Note: For Indirect orientation, use the INDIRECT MOUNTING KIT

- Flip the mounting bracket
- Mount the Dust cover provided in kit
- Mounting bracket & design symmetrically centered

Not recommended for the Flush Wall Mount option.

Certifications

CSA tested to UL standards
Indoor use only
Damp location

Warranty

5 year limited warranty

Rook® 350

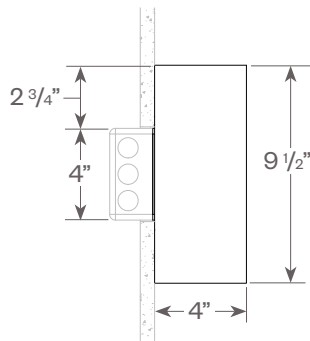
3.5" Square Wall Mount, Direct or Indirect, Dim-To-Warm



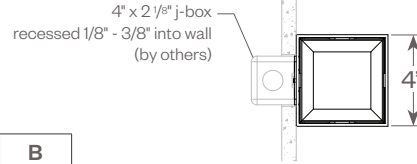
PROJECT:

TYPE:

Flush Wall Mount

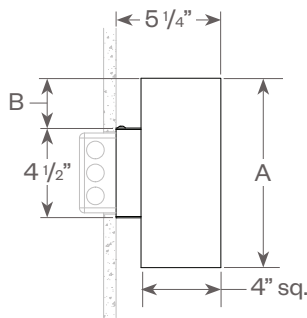


Flush Wall Mount Fixtures - not recommended to be flipped to indirect.

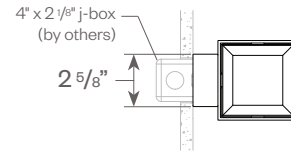


Fixture	A	B
RK350W(S/SL)	9 1/2"	2 3/4"
RK350W(S/SL)-REMOTE	6 1/2"	1 1/4"

Wall Mount

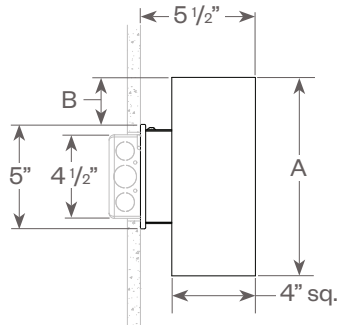


Wall Mount Fixtures are capable of being flipped to indirect. Dust cover provided with fixture for indirect orientation.

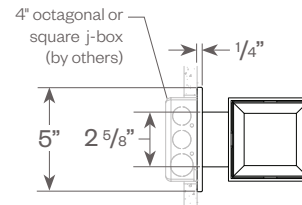


Fixture	A	B
RK350W(S/SL)	9 1/2"	2 1/2"
RK350W(S/SL)-REMOTE	6 1/2"	1"

Canopy Wall Mount

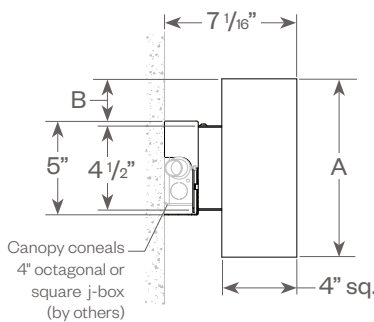


Canopy Wall Mount Fixtures are capable of being flipped to indirect. Dust cover provided with fixture for indirect orientation.

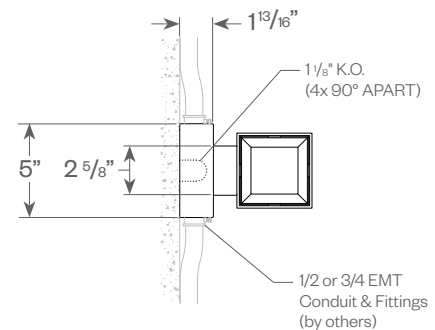


Fixture	A	B
RK350W(S/SL)	9 1/2"	2 1/4"
RK350W(S/SL)-REMOTE	6 1/2"	3/4"

Conduit Canopy Wall Mount

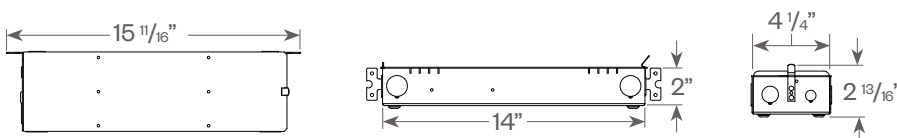


Canopy Wall Mount Fixtures are capable of being flipped to indirect. Dust cover provided with fixture for indirect orientation.



Fixture	A	B
RK350W(S/SL)	9 1/2"	2 1/4"
RK350W(S/SL)-REMOTE	6 1/2"	3/4"

Remote Driver Box



Driver is supplied installed in remote driver box, (one driver per box), with 5' of low voltage plenum rated cable. Amerlux recommends a maximum of 15' between the fixture and the remote driver box. Consult factory with job specific electrical spec if more than 15' is required.

Rook® 350

3.5" Square Wall Mount, Direct or Indirect, Dim-To-Warm



PROJECT:

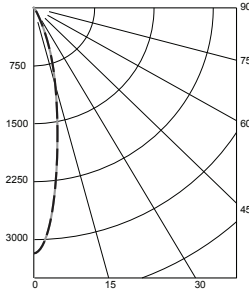
TYPE:

RK350WS

FIXTURE DATA: (Complete photometric data (.ies format) available upon request)

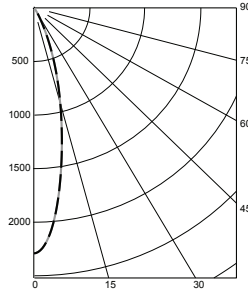
13W LED, 3000K-95

Very Narrow Flood (VNF)
Distribution, 18°
LTL #11919582.12
Lumens: 672



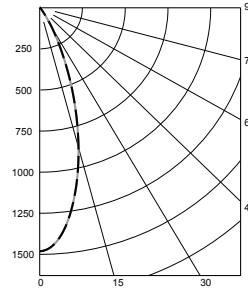
Candelas at Nadir	
Deg	Candela
0	3179
5	2638
15	1030
25	252
35	43
45	10

Medium Flood (MFL)
Distribution, 25°
LTL #11919582.13
Lumens: 609



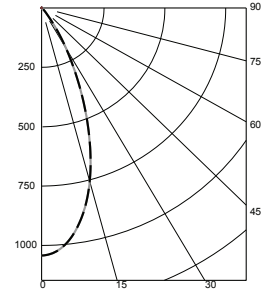
Candelas at Nadir	
Deg	Candela
0	2291
5	2024
15	942
25	267
35	50
45	11

Flood (FL)
Distribution, 35°
LTL # 11919582.14
Lumens: 582



Candelas at Nadir	
Deg	Candela
0	1481
5	1395
15	882
25	331
35	63
45	13

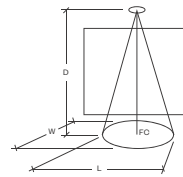
Wide Flood (WF)
Distribution, 45°
LTL # 11919582.15
Lumens: 540



Candelas at Nadir	
Deg	Candela
0	1042
5	1007
15	751
25	359
35	85
45	15

Application Data:

		0° Aiming Angle Horizontal Footcandles			
		D	FC	L	W
Very Narrow Flood		5.0'	122	1.8	1.8
		7.5'	55	2.9	2.9
		10.0'	31	3.7	3.7
		12.5'	20	4.6	4.6
Medium Flood		5.0'	88	2.3	2.3
		7.5'	40	3.3	3.3
		10.0'	23	4.4	4.4
		12.5'	15	5.5	5.5
Flood		5.0'	57	3.0	3.0
		7.5'	26	4.4	4.4
		10.0'	15	5.7	5.7
		12.5'	9	7.2	7.2
Wide Flood		5.0'	40	3.4	3.4
		7.5'	18	5.1	5.1
		10.0'	10	6.9	6.9
		12.5'	7	8.5	8.5



Notes and Definitions:

Beam spread is to 50% center beam candlepower (CBCP).

D=Distance to floor or wall.

FC=Footcandles on floor or wall at center beam aiming location.

L=Effective Visual Beam length in feet (50% of maximum footcandle level).

W=Effective Visual Beam width in feet (50% of maximum footcandle level).

CB=Distance across or down to center beam location.

Rook® 350

3.5" Square Wall Mount, Direct or Indirect, Dim-To-Warm



PROJECT:

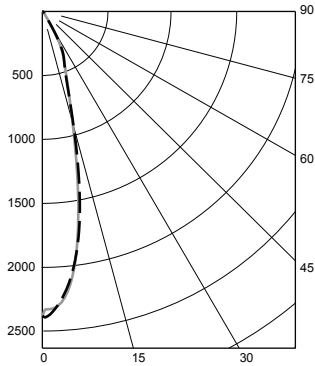
TYPE:

RK350WSL

FIXTURE DATA: (Complete photometric data (.ies format) available upon request)

13W LED, 3000K-95

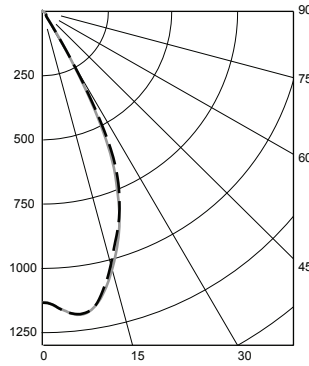
30° Solite Lens
LTL # 11919582.27
Lumens: 841



Candelas at Nadir

Deg	Candela
0	2380
5	2209
15	923
25	387
35	57
45	21

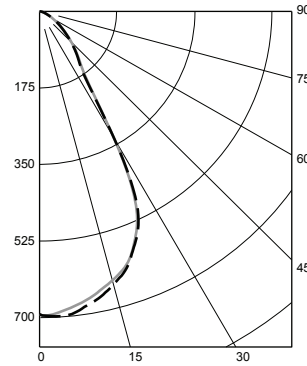
50° Solite Lens
LTL # 11919582.28
Lumens: 834



Candelas at Nadir

Deg	Candela
0	1133
5	1176
15	1043
25	644
35	54
45	21

65° Solite Lens
LTL # 11919582.29
Lumens: 823



Candelas at Nadir

Deg	Candela
0	692
5	685
15	636
25	521
35	179
45	104

Application Data:

Notes and Definitions:

Beam spread is to 50% center beam candlepower (CBCP).

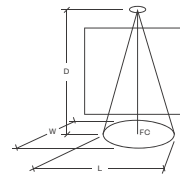
D=Distance to floor or wall.

FC=Footcandles on floor or wall at center beam aiming location.

L=Effective Visual Beam length in feet (50% of maximum footcandle level).

W=Effective Visual Beam width in feet (50% of maximum footcandle level).

CB=Distance across or down to center beam location.



0° Aiming Angle
Horizontal
Footcandles

30° Solite Lens	D	FC	L	W
	5.0'	96	2.3	2.4
	7.5'	43	3.3	3.4
	10.0'	24	4.4	4.6
	12.5'	15	5.5	5.6

50° Solite Lens	D	FC	L	W
	5.0'	46	4.3	4.3
	7.5'	21	6.4	6.4
	10.0'	12	8.4	8.4
	12.5'	8	10.5	10.6

65° Solite Lens	D	FC	L	W
	5.0'	28	4.8	4.8
	7.5'	13	7.4	7.4
	10.0'	7	10.1	10.1
	12.5'	5	12.7	12.7

Rook® 350

3.5" Square Wall Mount, Direct or Indirect, Dim-To-Warm



PROJECT:

TYPE:

DIMMING COMPATIBILITY:

Amerlux® Rook fixtures are compatible with all major dimming protocols prevalent in the United States. Please see below for general compatibilities and wiring diagrams. Amerlux recommends testing your unique dimming configuration as the exact full configuration (Dimmer, Fixture Quantity, Voltage, etc) may affect dimming performance.

--- NOTE: INFORMATION BELOW IS FOR WIRED DIMMERS ONLY. FOR WIRELESS DIMMERS, CONSULT FACTORY ---

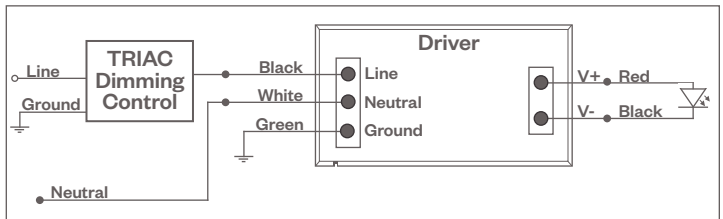
TRIAC (Forward Phase) DIMMING (Standard)

Utilizes "Standard" incandescent dimmers that are in wide use in installations across the US. Best for retrofit applications where TRIAC dimmers are installed.

Notes:

- 120V or 277V*
- Dims down to less than 5% light output (most cases)
- Consult Dimming manufacturer for installation instructions - DO NOT SHARE NEUTRALS!
- Must meet dimmer Minimum Load Requirements per dimming manufacturer

TRIAC Wiring Diagram



Compatible Dimmers†:

Wall Box (Incandescent Style, Wattage as required)		Central System
Lutron "Diva"	Lutron "Vareo"	Lutron "GP" Panel
Lutron "Nova-T"	Lutron "Skylark"	Lutron Grafik Eye QS
Lutron "Maestro"		

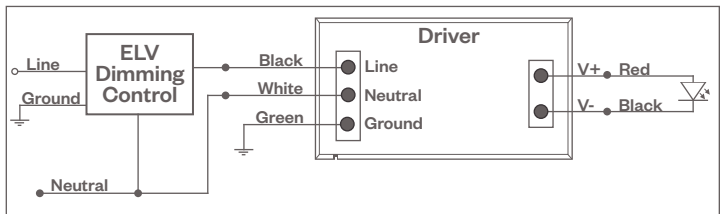
ELV - Electronic Low Voltage (Reverse Phase) DIMMING (Standard)

Utilizes specialized "ELV" dimmers.

Notes:

- 120V or 277V*
- Dims down to less than 5% light output (most cases)
- Consult Dimming manufacturer for installation instructions - DO NOT SHARE NEUTRALS!
- Must meet dimmer Minimum Load Requirements

ELV Wiring Diagram



Compatible Dimmers†:

Wall Box (ELV Style)		Central System
Lutron "Diva"	Leviton "Surslide"	Lutron "GP" Panel with PHPM-PA Interface
Lutron "Nova-T"	Leviton "Vizio"	Lutron Grafik Eye QS with PHPM-PA Interface
Lutron "Maestro"		
Lutron "Vareo"		
Lutron "Skylark"		

Notes:

- * Driver is 277V dimmable with appropriate dimmer (by others). All provided wiring diagrams show 120V wiring colors and method. Please refer to 277V dimmer installation instructions for 277V wiring diagrams.
- † The absence of a dimmer from the lists above does not imply incompatibility. Please consult factory for compatibility inquiries.

Rook® 350

3.5" Square Wall Mount, Direct or Indirect, Dim-To-Warm



PROJECT:

TYPE:

DIMMING COMPATIBILITY:

Amerlux® Rook fixtures are compatible with all major dimming protocols prevalent in the United States. Please see below for general compatibilities and wiring diagrams. Amerlux recommends testing your unique dimming configuration as the exact full configuration (Dimmer, Fixture Quantity, Voltage, etc) may affect dimming performance.

--- NOTE: INFORMATION BELOW IS FOR WIRED DIMMERS ONLY. FOR WIRELESS DIMMERS, CONSULT FACTORY ---

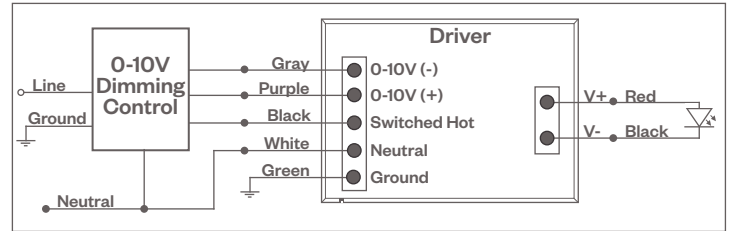
0-10V - DIMMING (-0-10V Option)

Integrates into a variety of building management and daylighting controls

Notes:

- 120V or 277V*
- Dims down to 1% light output
- Requires interface to turn off power to driver
- Consult Dimming manufacturer for installation instructions - DO NOT SHARE NEUTRALS!

0-10V Wiring Diagram



Compatible Dimmers*:

Wall Box

Lutron "Diva" - DDTV with PP-120H Interface

Leviton Renoir II 0-10V

Central System

Lutron Grafik Eye with GRX-TVI Interface

Notes:

- * Driver is 277V dimmable with appropriate dimmer (by others). All provided wiring diagrams show 120V wiring colors and method. Please refer to 277V dimmer installation instructions for 277V wiring diagrams.
- † The absence of a dimmer from the lists above does not imply incompatibility. Please consult factory for compatibility inquiries.