

Rook® 350

3.5" Square Wall Mount
Direct or Indirect



Direct



Features

The contemporary Rook 350 Direct or Indirect Wall Mount is universal allowing the fixture to be mounted as a Direct or Indirect luminaire just by flipping its orientation. Rook 350 has the same optical performance as our Hornet 3.5" Downlights. With only a 3.5" aperture, the Rook 350 can be used to add visual interest to walls or columns. The flush mount option is a perfect solution for ADA compliance. The Rook 350 cylinder family is available as a pendant, surface or wall mount allowing it to fit in any retail, hospitality or commercial environment.

Product Overview

Type: Square Wall Mount, Direct or Indirect (Field changeable to indirect orientation)

Wattage: 11, 16 (R350WS) or 14, 21 (R350WSL)

Color Temp: 2200K, 2700K, 3000K, 3500K, 4000K

CRI: 83 typ. (2700K, 3000K, 3500K, 4000K)
90+ typ. (2200K, 2700K, 3000K, 3500K, 4000K)
CrispWhite & Class A LED available

Dimming: TRIAC & ELV (120V/277V) - 5% Dim
Lutron Hi-lume® H Series/EcoSystem - 1% dim with soft on, fade to black, 120V/277V
0-10V (120V/277V) - 1% Dim

PROJECT:

Indirect



TYPE:

Performance Chart

Watts	Delivered Lumens	LPW	CBCP	Color Temp
RK350WS				
11	796	72.4	7,627	3000K-83
16	1,162	72.6	11,128	3000K-83
RK350WSL				
14	1,429	102	2,025	3000K-83
21	2,133	101.6	3,023	3000K-83

Data is based on 30K-83 IES files available on website. See pgs 5-6 for data on other beam spreads.

Electrical Data

RK350WS				
	11W		16W	
	System Watts	Amps	System Watts	Amps
120V	11	0.09	16	0.13
277V	11	0.04	16	0.06
RK350WSL				
	14W		21W	
	System Watts	Amps	System Watts	Amps
120V	14	0.12	21	0.18
277V	14	0.05	21	0.08

Electronic constant current LED driver

Max. Fixture Weights

Model	Weight (lbs)
RK350WS(L)-U	5.2
RK350WS(L)-U-REMOTE	4.2
RK350WS(L)-U (FWM)	4.0
RK350WS(L)-U-REMOTE (FWM)	2.8

Remote driver & driver box are not included in weight



Rook® 350

3.5" Square Wall Mount, Direct or Indirect



PROJECT:

TYPE:

Ordering Information

120-277

1	2	3	4	5	6	7	8	9	
Open Unit					Lensed Unit				
1 <u>Model</u> RK350WS-U RK350WS-U-REMOTE (remote driver)	2 <u>Wattage</u> 11 16	3 <u>Housing Finish</u> MW - matte white MB - matte black SLV - matte silver	4 <u>Mounting*</u> (matches housing finish) FWM - flush wall mount (ADA compliant) WM - wall mount CWM - canopy wall mount CDWM - conduit canopy wall mount	5 <u>Voltage</u> 120-277	6 <u>Trim Finish</u> MW - matte white MB - matte black SLV - matte silver	7 <u>Beam Spread</u> SP - spot, 15° NF - narrow flood, 20° MFL - medium flood, 24° FL - flood, 28° WF - wide flood, 45° VWF - very wide flood, 60° LS - linear spread, 60°x10°	8 <u>Color Temp</u> 83 CRI 27 - 2700K-83 30 - 3000K-83 35 - 3500K-83 40 - 4000K-83	9 <u>Driver</u> LE/TE - TRIAC/ELV dimming, 5% dim 0-10V - 0-10V dimming; 1% dim HILUME-H-ECO - Lutron Hi-lume® H Series, EcoSystem, 1% dim with soft on, fade to black	
					1 <u>Model</u> RK350WSL-U (Lensed) RK350WSL-U-REMOTE (Lensed, remote driver)	2 <u>Wattage</u> 14 21	3 <u>Housing Finish</u> MW - matte white MB - matte black SLV - matte silver	4 <u>Mounting*</u> (matches housing finish) FWM - flush wall mount (ADA compliant) WM - wall mount CWM - canopy wall mount CDWM - conduit canopy wall mount	
					5 <u>Voltage</u> 120-277	6 <u>Trim Finish</u> MW - matte white MB - matte black SLV - matte silver	7 <u>Beam Spread</u> 30SOL - 30° solite lens 50SOL - 50° solite lens 65SOL - 65° solite lens 75SAT - 75° satin ice lens	8 <u>Color Temp</u> 83 CRI 27 - 2700K-83 30 - 3000K-83 35 - 3500K-83 40 - 4000K-83	
							90+ CRI 229 - 2200K-90+ 279 - 2700K-90+ 309 - 3000K-90+ 359 - 3500K-90+ 409 - 4000K-90+	CRISP - CrispWhite 3CLA - 3K Class A	
								9 <u>Driver</u> LE/TE - TRIAC/ELV dimming, 5% dim 0-10V - 0-10V dimming; 1% dim HILUME-H-ECO - Lutron Hi-lume® H Series, EcoSystem, 1% dim with soft on, fade to black	

* Note: Indirect Mounting Kit provided with all fixtures to mount fixture for uplighting. Not recommended for FWM option.

Rook® 350

3.5" Square Wall Mount, Direct or Indirect



PROJECT:

TYPE:

Specifications

Application

Commercial, hospitality and retail ambient/accent wall mounted fixtures.

Construction

Extruded aluminum housing
Die-cast trim
Extruded aluminum heat sink
Fixture shipped with dust cover for use when fixture is used as indirect

Optical

RK350WS Beam Spreads:
Spot, 15°; Narrow Flood, 22°; Medium Flood, 25°; Flood, 28°;
Wide Flood, 45°; Very Wide Flood, 60°;
Linear Spread, 60° x 10°

RK350WSL Beam Spreads:
Satin Ice Lens for maximum source concealment and wide distribution with a visually "hotter" aperture. 75° beam spread.
Solite Lens for maximum efficacy and a visually quieter aperture. 30°, 50° & 65° beam spread options. Visually best with SLV reflector finish.

LED

Color Temp Options: 2200K, 2700K, 3000K, 3500K, 4000K
CRI: 83 typ. (2700K, 3000K, 3500K, 4000K)
90+ typ. (2200K, 2700K, 3000K, 3500K, 4000K)
CrispWhite* LED available
Class A** 3000K LED available
R9 Values: 11 (83 CRI), 55 (90+ CRI)
Binning: 3 MacAdam (SDCM)
Life: 50,000+ hrs, > 70% of initial lumens at 50,000 hrs

**CrispWhite: CrispWhite Technology delivers the warmth of colors expected from a high 90 CRI solution but also creates the natural crisp white color that is pleasing to the eye. It creates the most impactful lighting ever available, by revealing the richest whites and vibrant colors that pop.*

***Class A LED: Class A LED's have a CRI > 80 and a GAI > 80. CRI defines color "Naturalness" and GAI defines color "Saturation." Both being high delivers rich colors and pure whites.*

Electrical

Wattage: 11, 16 (RK350WS) or 14, 21 (RK350WSL)
Electronic constant current LED driver, 120V-277V input
This product complies with IEEE C62.41 for surge endurance up to 2.5KV. Amerlux® recommends using additional surge protection with this unit (supplied by others), surge and over voltage damage is not covered under warranty.

For emergency: Remote EM inverter or emergency circuit by others

Remote Driver Wiring: Driver is supplied installed in remote driver box, (one driver per box), with 5' of low voltage plenum rated cable. Amerlux recommends a maximum of 15' between the fixture and the remote driver box. Consult factory with job specific electrical spec if more than 15' is required.

Drivers

LE/TE - Leading Edge, TRIAC, forward phase/Trailing Edge, ELV, reverse phase
0-10V and Lutron also available see ordering page

Finish

Powder coat paint
Consult factory for custom finishes

Mounting

Wall mounted (direct orientation), see options on pg 4
Note: For Indirect orientation, use the INDIRECT MOUNTING KIT
- Flip the mounting bracket
- Mount the Dust cover provided in kit
- Mounting bracket & design symmetrically centered
Not recommended for the Flush Wall Mount option.

Certifications

CSA tested to UL standards
Indoor use only
Damp location

Warranty

5 year limited warranty

Rook® 350

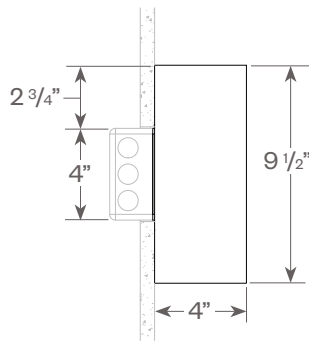
3.5" Square Wall Mount, Direct or Indirect



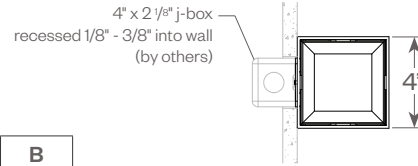
PROJECT:

TYPE:

Flush Wall Mount

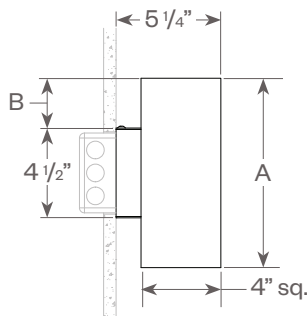


Flush Wall Mount Fixtures - not recommended to be flipped to indirect.

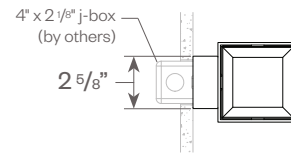


Fixture	A	B
RK350W(S/SL)	9 1/2"	2 3/4"
RK350W(S/SL)-REMOTE	6 1/2"	1 1/4"

Wall Mount

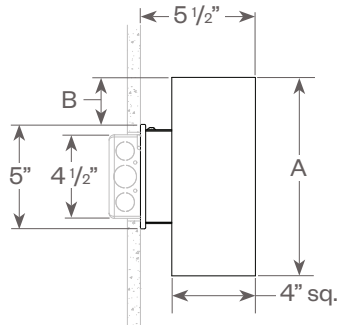


Wall Mount Fixtures are capable of being flipped to indirect. Dust cover provided with fixture for indirect orientation.

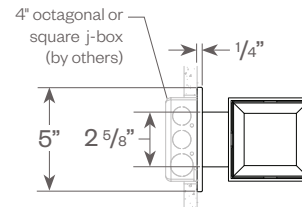


Fixture	A	B
RK350W(S/SL)	9 1/2"	2 1/2"
RK350W(S/SL)-REMOTE	6 1/2"	1"

Canopy Wall Mount

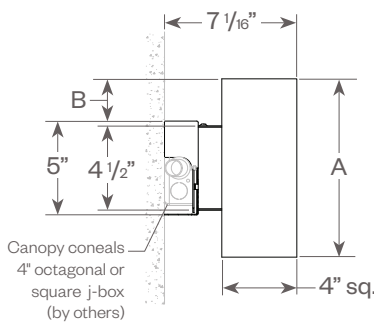


Canopy Wall Mount Fixtures are capable of being flipped to indirect. Dust cover provided with fixture for indirect orientation.

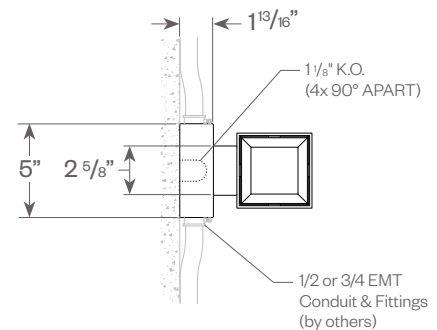


Fixture	A	B
RK350W(S/SL)	9 1/2"	2 1/4"
RK350W(S/SL)-REMOTE	6 1/2"	3/4"

Conduit Canopy Wall Mount

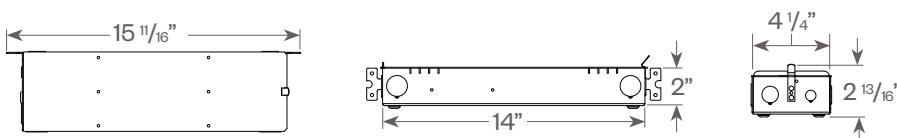


Canopy Wall Mount Fixtures are capable of being flipped to indirect. Dust cover provided with fixture for indirect orientation.



Fixture	A	B
RK350W(S/SL)	9 1/2"	2 1/4"
RK350W(S/SL)-REMOTE	6 1/2"	3/4"

Remote Driver Box



Driver is supplied installed in remote driver box, (one driver per box), with 5' of low voltage plenum rated cable. Amerlux recommends a maximum of 15' between the fixture and the remote driver box. Consult factory with job specific electrical spec if more than 15' is required.

Rook® 350

3.5" Square Wall Mount, Direct or Indirect



PROJECT:

TYPE:

RK350WS

FIXTURE DATA: (Complete photometric data (.ies format) available upon request)

MULTIPLYING FACTORS: (Multiplying Factor is based on 3000K-83 120V IES file on website)

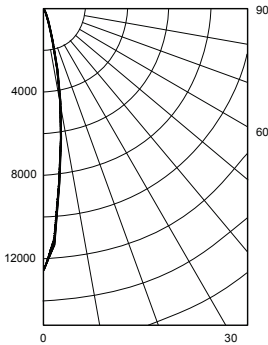
Wattage:	11W	16W
Factor:	0.69	1.0

CCT:	2700K-83	3000K-83	3500K-83	4000K-83
Factor:	0.96	1.0	1.02	1.04

CCT:	2200K-90+	2700K-90+	3000K-90+	3500K-90+	4000K-90+	CRISP	3CLA
Factor:	0.71	0.80	0.83	0.87	0.90	0.65	0.75

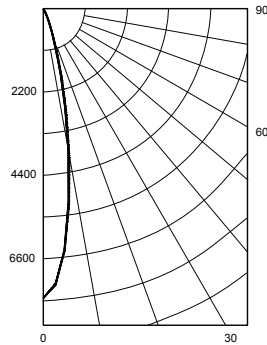
16W LED, 3000K-83

Spot (SP) Distribution, 15°
Lumens: 1,162



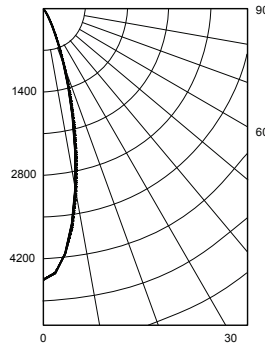
Candelas at Nadir	
Deg	Candela
0	11,128
5	7358
15	1477
25	165
35	30
45	2

Narrow Flood (NF) Distribution, 22°
Lumens: 1,082



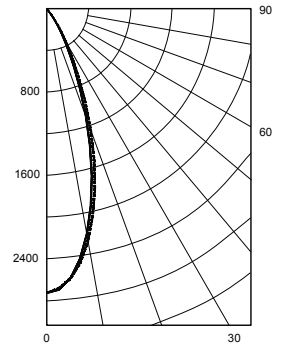
Candelas at Nadir	
Deg	Candela
0	6783
5	5708
15	1695
25	251
35	44
45	4

Flood (FL) Distribution, 28°
Lumens: 1,041



Candelas at Nadir	
Deg	Candela
0	4041
5	3676
15	1797
25	436
35	72
45	5

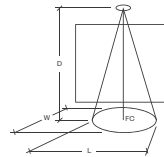
Wide Flood (WF) Distribution, 45°
Lumens: 1,038



Candelas at Nadir	
Deg	Candela
0	2422
5	2297
15	1558
25	634
35	143
45	6

Application Data:

	0° Aiming Angle Horizontal Footcandles			
	D	FC	L	W
Spot	5.0'	258	1.9	1.9
	7.5'	143	2.6	2.6
	10.0'	90	3.1	3.1
	12.5'	61	3.7	3.7
Narrow Flood	5.0'	195	2.2	2.2
	7.5'	102	3.0	3.0
	10.0'	61	3.8	3.8
	12.5'	40	4.7	4.7
Flood	5.0'	126	2.7	2.7
	7.5'	62	3.7	3.7
	10.0'	37	4.9	4.9
	12.5'	24	6.0	6.0
Wide Flood	5.0'	86	3.3	3.3
	7.5'	41	4.8	4.8
	10.0'	23	6.3	6.3
	12.5'	15	7.7	7.7



Notes and Definitions:

- Beam spread is to 50% center beam candlepower (CBCP).
- D=Distance to floor or wall.
- FC=Footcandles on floor or wall at center beam aiming location.
- L=Effective Visual Beam length in feet (50% of maximum footcandle level).
- W=Effective Visual Beam width in feet (50% of maximum footcandle level).
- CB=Distance across or down to center beam location.

Rook® 350

3.5" Square Wall Mount, Direct or Indirect



PROJECT:

TYPE:

RK350WSL

FIXTURE DATA: (Complete photometric data (.ies format) available upon request)

MULTIPLYING FACTORS: (Multiplying Factor is based on 3000K-83 120V IES file on website)

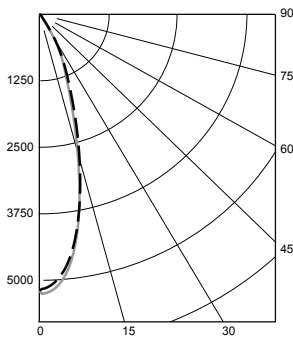
Wattage:	14W	21W
Factor:	0.67	1.0

CCT:	2700K-83	3000K-83	3500K-83	4000K-83
Factor:	0.96	1.0	1.02	1.04

CCT:	2200K-90+	2700K-90+	3000K-90+	3500K-90+	4000K-90+	CRISP	3CLA
Factor:	0.71	0.80	0.83	0.87	0.90	0.65	0.75

21W LED, 3000K-83

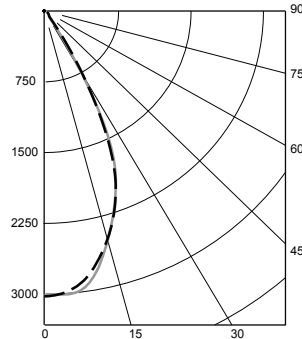
30° Solite Lens
LTL # 13408034.06
Lumens: 2080 lm; 92.1 lm/W



Candelas at Nadir

Deg	Candela
0	5191
5	4959
15	2524
25	955
35	141
45	58

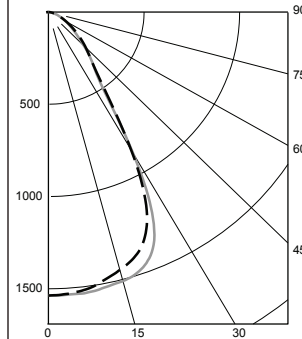
50° Solite Lens
LTL # 13408034.07
Lumens: 2133 lm; 94.5 lm/W



Candelas at Nadir

Deg	Candela
0	3023
5	3010
15	2495
25	1604
35	180
45	66

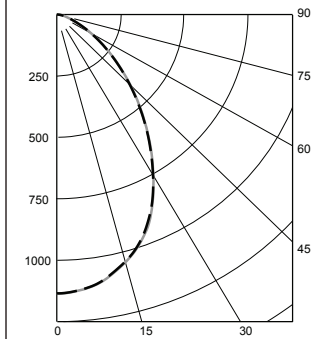
65° Solite Lens
LTL # 13408034.08
Lumens: 2073 lm; 91.9 lm/W



Candelas at Nadir

Deg	Candela
0	1537
5	1535
15	1509
25	1305
35	479
45	267

75° Satin Ice Lens
LTL # 13408034.09
Lumens: 1925 lm; 85.9 lm/W



Candelas at Nadir

Deg	Candela
0	1135
5	1125
15	1043
25	880
35	636
45	410

Application Data:

Notes and Definitions:

Beam spread is to 50% center beam candlepower (CBCP).

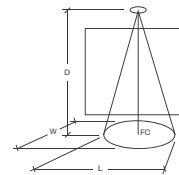
D=Distance to floor or wall.

FC=Footcandles on floor or wall at center beam aiming location.

L=Effective Visual Beam length in feet (50% of maximum footcandle level).

W=Effective Visual Beam width in feet (50% of maximum footcandle level).

CB=Distance across or down to center beam location.



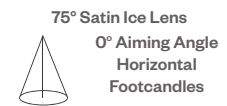
D	FC	L	W
5.0'	208	2.6	2.6
7.5'	93	3.7	3.8
10.0'	52	5.0	5.2
12.5'	34	6.3	6.4



D	FC	L	W
5.0'	122	4.1	4.1
7.5'	54	6.1	6.1
10.0'	31	8.2	8.2
12.5'	20	10.3	10.2



D	FC	L	W
5.0'	62	5.2	5.1
7.5'	28	7.9	7.7
10.0'	16	10.6	10.4
12.5'	10	13.4	13.2



D	FC	L	W
5.0'	44	5.5	5.5
7.5'	20	8.1	8.1
10.0'	12	10.9	10.9
12.5'	8	14.1	14.0

Rook® 350

3.5" Square Wall Mount, Direct or Indirect



PROJECT:

TYPE:

DIMMING COMPATIBILITY:

Amerlux® Rook fixtures are compatible with all major dimming protocols prevalent in the United States. Please see below for general compatibilities and wiring diagrams. Amerlux recommends testing your unique dimming configuration as the exact full configuration (Dimmer, Fixture Quantity, Voltage, etc) may affect dimming performance.

--- NOTE: INFORMATION BELOW IS FOR WIRED DIMMERS ONLY. FOR WIRELESS DIMMERS, CONSULT FACTORY ---

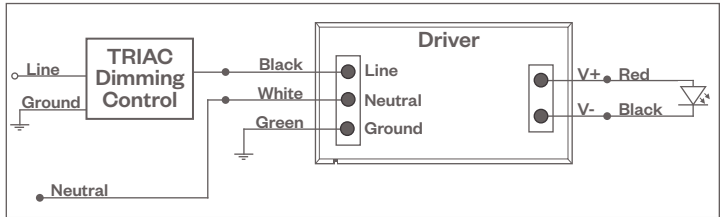
TRIAC (Forward Phase) DIMMING (Standard)

Utilizes "Standard" incandescent dimmers that are in wide use in installations across the US. Best for retrofit applications where TRIAC dimmers are installed.

Notes:

- 120V or 277V*
- Dims down to less than 5% light output (most cases)
- Consult Dimming manufacturer for installation instructions - DO NOT SHARE NEUTRALS!
- Must meet dimmer Minimum Load Requirements per dimming manufacturer

TRIAC Wiring Diagram



Compatible Dimmers†:

Wall Box (Incandescent Style, Wattage as required)		Central System
Lutron "Diva"	Lutron "Vareo"	Lutron "GP" Panel
Lutron "Nova-T"	Lutron "Skylark"	Lutron Grafik Eye QS
Lutron "Maestro"		

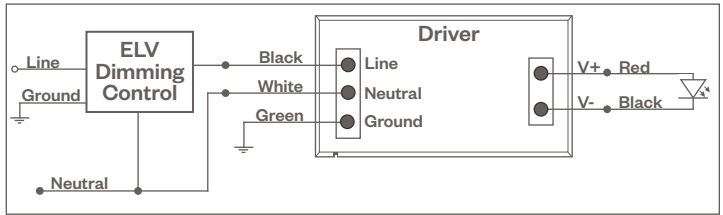
ELV - Electronic Low Voltage (Reverse Phase) DIMMING (Standard)

Utilizes specialized "ELV" dimmers.

Notes:

- 120V or 277V*
- Dims down to less than 5% light output (most cases)
- Consult Dimming manufacturer for installation instructions - DO NOT SHARE NEUTRALS!
- Must meet dimmer Minimum Load Requirements

ELV Wiring Diagram



Compatible Dimmers†:

Wall Box (ELV Style)		Central System
Lutron "Diva"	Leviton "Surslide"	Lutron "GP" Panel with PHPM-PA Interface
Lutron "Nova-T"	Leviton "Vizio"	Lutron Grafik Eye QS with PHPM-PA Interface
Lutron "Maestro"		
Lutron "Vareo"		
Lutron "Skylark"		

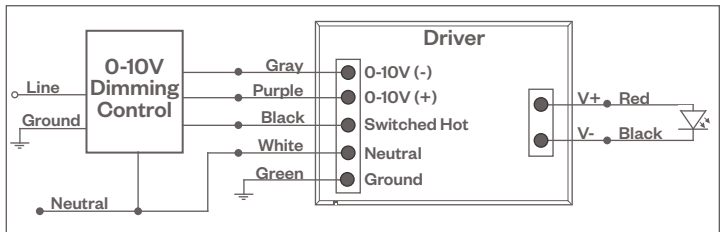
0-10V - DIMMING (-0-10V Option)

Integrates into a variety of building management and daylighting controls

Notes:

- 120V or 277V*
- Dims down to 1% light output
- Requires interface to turn off power to driver
- Consult Dimming manufacturer for installation instructions - DO NOT SHARE NEUTRALS!

0-10V Wiring Diagram



Compatible Dimmers†:

Wall Box	Central System
Lutron "Diva" - DVTV with PP-120H Interface	Leviton Renoir II 0-10V
	Lutron Grafik Eye with GRX-TVI Interface

Notes:

- * Driver is 277V dimmable with appropriate dimmer (by others). All provided wiring diagrams show 120V wiring colors and method. Please refer to 277V dimmer installation instructions for 277V wiring diagrams.
- † The absence of a dimmer from the lists above does not imply incompatibility. Please consult factory for compatibility inquiries.

Rook® 350

3.5" Square Wall Mount, Direct or Indirect



PROJECT:

TYPE:

DIMMING COMPATIBILITY:

Amerlux® Rook fixtures are compatible with all major dimming protocols prevalent in the United States. Please see below for general compatibilities and wiring diagrams. Amerlux recommends testing your unique dimming configuration as the exact full configuration (Dimmer, Fixture Quantity, Voltage, etc) may affect dimming performance.

--- NOTE: INFORMATION BELOW IS FOR WIRED DIMMERS ONLY. FOR WIRELESS DIMMERS, CONSULT FACTORY ---

LUTRON H-SERIES / ECOSYSTEM (-HILUME-H-ECO Option)

Integrates into Lutron EcoSystem building management

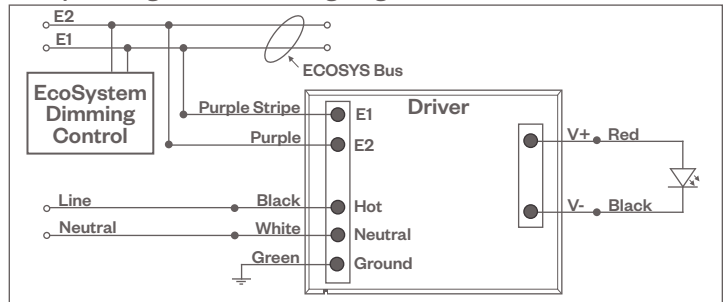
Notes:

- 120V or 277V*
- Dims down to 1% light output
- EcoSystem Control
- Consult Dimming manufacturer for installation instructions - DO NOT SHARE NEUTRALS!

Compatible Dimmers†:

Wall Box	Central System
Lutron "Diva"	Lutron EcoSystem compatible controls
Lutron "Nova-T"	
Lutron "Maestro"	
Lutron "Vareo"	

HILUME-H-ECO, HILUME-5-ECO EcoSystem Digital Control Wiring Diagram



Notes:

- * Driver is 277V dimmable with appropriate dimmer (by others). All provided wiring diagrams show 120V wiring colors and method. Please refer to 277V dimmer installation instructions for 277V wiring diagrams.
- † The absence of a dimmer from the lists above does not imply incompatibility. Please consult factory for compatibility inquiries.