

PROJECT:

TYPE:

Features

The FINCH family of cylinders with a 1" aperture, features exceptional output, flexibility, and a broad range of configurations to provide discreet quality illumination while integrating into the architecture. It is available in a fixed downlight, adjustable (with 50° tilt), wall mount and even exterior ground mount options. Whether installed on ceilings, walls/mullions or the ground, the FINCH family blends seamlessly into its surroundings.

The FINCH wall mount direct/indirect cylinder, 6" in length, offers up to 800 lm output for both direct and indirect, and has a choice of beveled front door options for additional shielding for the direct portion and a flush lens for the indirect portion, to prevent dirt accumulation.

Product Overview

Type: Wall Mount, Direct/Indirect
 Wattage: 12W, 16W
 Color Temp: 2400K, 2700K, 3000K, 3500K, 4000K
 CRI: 80+ or 90+ typ.
 Dimming: 0-10V, DALI, TRIAC/ELV



Certifications



Fixture Summary

Performance Data

Direct		Indirect		Total	Total		
Watts	Lumens	Watts	Lumens	Lumens	LPW	CCT	CRI
6	643	6	643	1286	107.2	3000K	80+
8	787	8	787	1574	98.4	3000K	80+

Data is based on flood optic, standard bevel, 3000K, 80+ 120V IES file available on website.

Electrical Data

Voltage	6W/6W		8W/8W	
	System Watts	Amps	System Watts	Amps
120V	12.6	0.108	16.8	0.142
277V	13.4	0.068	17.2	0.076

Electronic constant current LED driver.

PROJECT:

TYPE:

Specifications

Application

Retail, commercial and hospitality wall mounted accent lighting.

Construction

Extruded aluminum precision machined body, door & heatsink.

Optical

TIR optics

Beam Spreads: Spot 15°, Flood 28°, Wide Flood 35°,

Very Wide Flood 50°

LED

Color Temp: 2400K, 2700K, 3000K, 3500K, 4000K

CRI: 80+ & 90+ typ.

R9 Values: 11 (83 CRI), 55 (92 CRI)

Binning: 3 MacAdam (SDCM)

Life: 50,000+ hrs, > 70% of initial lumens at 50,000 hrs

Electrical

This product complies with IEEE C62.41 for surge endurance up to 2.5KV.

Amerlux® recommends using additional surge protection with this unit (supplied by others), surge and over voltage damage is not covered under warranty.

Finish

Powder coat paint

Consult factory for custom finishes

Mounting

Wall mount

Certifications

CSA tested to UL standards

Indoor use only

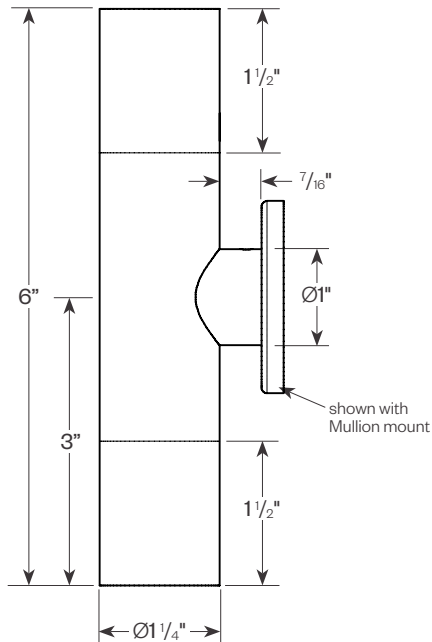
Damp location

Warranty

5 year limited warranty

Product Details

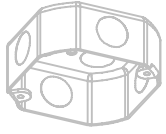
FIN6-WDI



PROJECT:

TYPE:

Junction Box Mounting Requirements



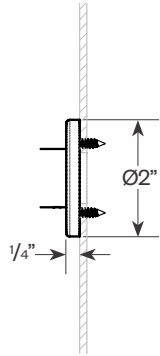
All Mounts Require 4" Octagonal Junction Box *(by others)*



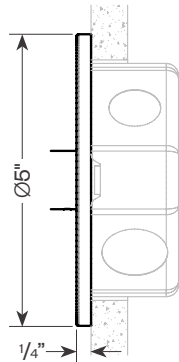
Reduced Canopy (**RC**) Mounts also Require Raised Cover *(by others)* for 4" Octagonal Junction Box

Mounting Options

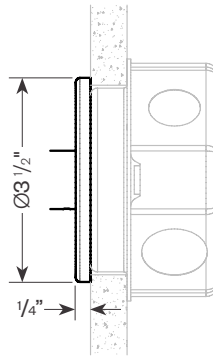
Mullion Mount



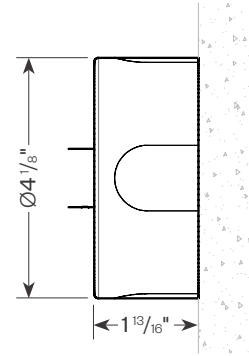
Canopy Mount



Reduced Canopy Mount



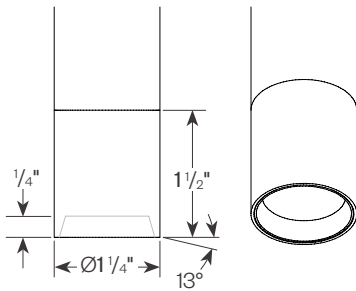
Conduit Canopy Mount



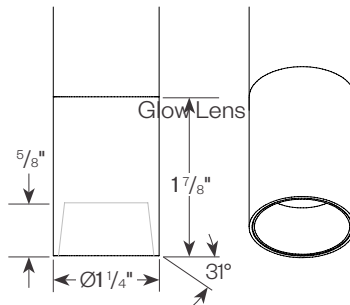
Door Styles

Direct

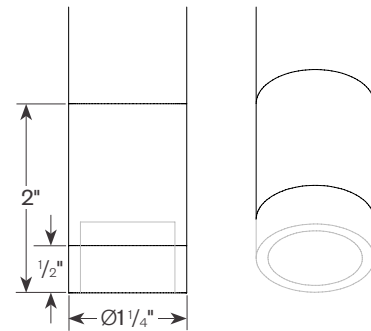
Standard Bevel (**SB**)



Deep Bevel (**DB**)

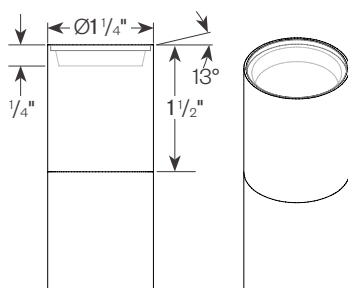


Glow Lens

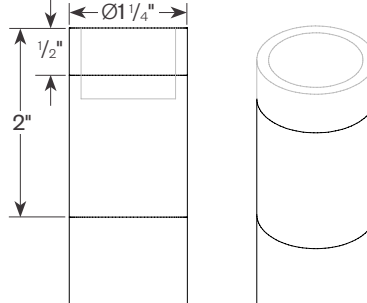


Indirect

Standard Bevel with flush lens (**SBX**)



Glow Lens



Finish Options

Powder coat paint. Consult factory for custom finishes.



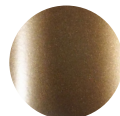
Matte Black



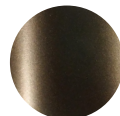
Matte White



Matte Silver



Bronze



Dark Bronze



White Texture



Black Texture



Gold
Available for Bevel
Finish only

PROJECT:

TYPE:

Performance Data

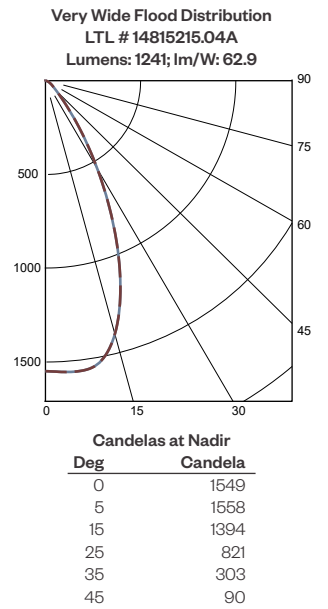
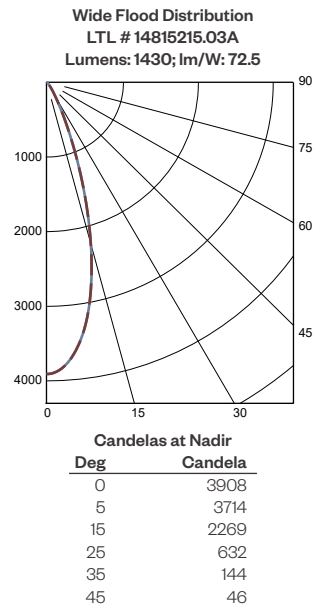
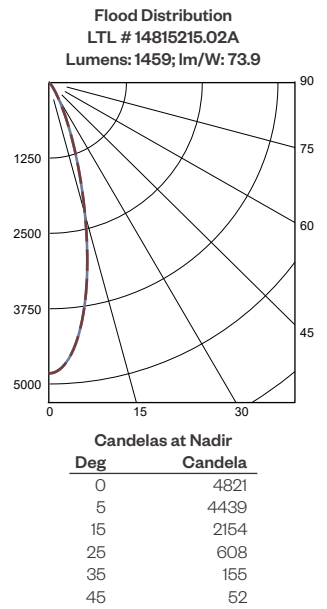
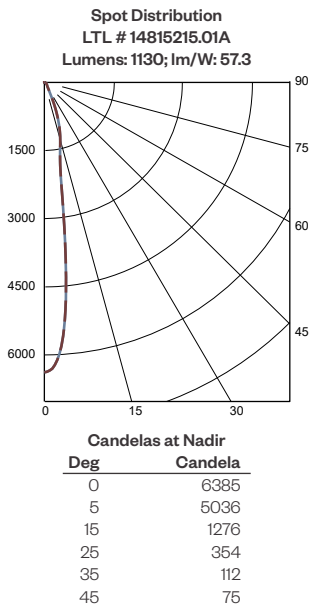
Multiplying Factors: (Multiplying Factor is based on 3000K, 80+, 120V IES file on website)

Wattage:	6W	8W	20W*
Factor:	0.44	0.54	1.0

* Multiplying factors based on IES 20W tested fixture. 20W is not available for this fixture type.

CCT:	3000K, 80+	3500K, 80+	4000K, 80+	2400K, 90+	2700K, 90+	3000K, 90+	3500K, 90+	4000K, 90+
Factor:	1.0	1.04	1.06	0.76	0.83	0.88	0.92	0.93

20W, Standard Bevel, 3000K, 80+



Application Data

Notes and Definitions:

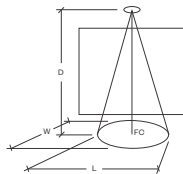
Beam spread is to 50% center beam candlepower (CBCP).

D=Distance to floor or wall.


FC=Footcandles on floor or wall at center beam aiming location.

L=Effective Visual Beam length in feet (50% of maximum footcandle level).

W=Effective Visual Beam width in feet (50% of maximum footcandle level).




Spot
0° Aiming Angle
Horizontal
Footcandles




D	FC	L	W
5.0'	158	1.9	1.9
7.5'	91	2.5	2.5
10.0'	57	3.0	3.0
12.5'	38	3.5	3.5

Flood
0° Aiming Angle
Horizontal
Footcandles




D	FC	L	W
5.0'	178	2.6	2.6
7.5'	85	3.6	3.6
10.0'	49	4.7	4.7
12.5'	31	5.8	5.8

Wide Flood
0° Aiming Angle
Horizontal
Footcandles



D	FC	L	W
5.0'	138	3.0	3.0
7.5'	66	4.3	4.3
10.0'	38	5.6	5.6
12.5'	25	7.0	7.0

Very Wide Flood
0° Aiming Angle
Horizontal
Footcandles

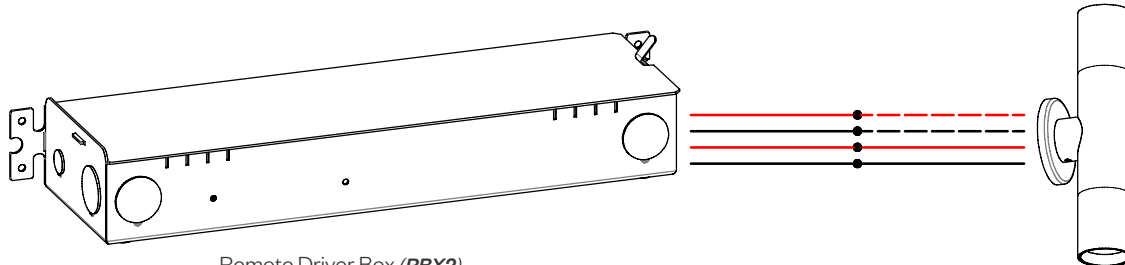


D	FC	L	W
5.0'	61	4.2	4.2
7.5'	27	6.3	6.3
10.0'	16	8.4	8.4
12.5'	10	10.6	10.6

PROJECT:	TYPE:
-----------------	--------------

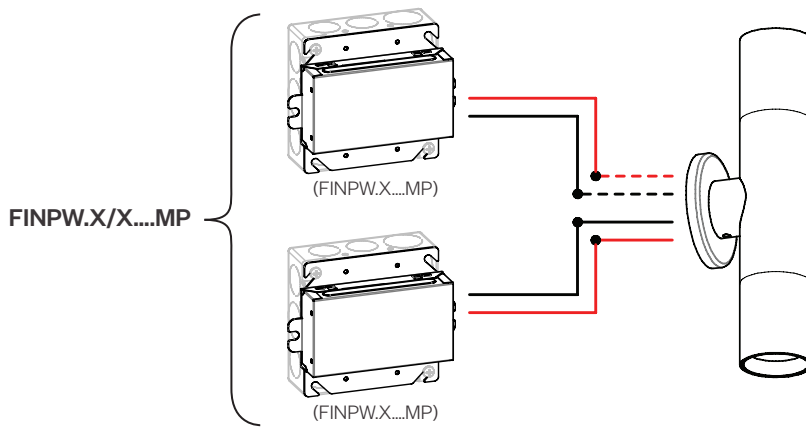
Enclosure Options for Remote Driver

Remote Box (RBX2)



Remote Driver Box (RBX2)
(1 per 2 drivers)
15-11/16" x 4-5/16" x 2-7/16"

Mounting Plate (MP)



Remote Driver with Mounting Plate (MP)
4" Square Junction Box (by others)

Note: Maximum remote wiring distance is 100 linear feet of 18 AWG wire and 50 linear feet of 22 AWG wire.

PROJECT:

TYPE:

Dimming Compatibility

Amerlux® Finch fixtures are compatible with all major dimming protocols prevalent in the United States. Please see below for general compatibilities and wiring diagrams. Amerlux recommends testing your unique dimming configuration as the exact full configuration (*Dimmer, Fixture Quantity, Voltage, etc*) may affect dimming performance.

--- NOTE: INFORMATION BELOW IS FOR WIRED DIMMERS ONLY. FOR WIRELESS DIMMERS, CONSULT FACTORY ---

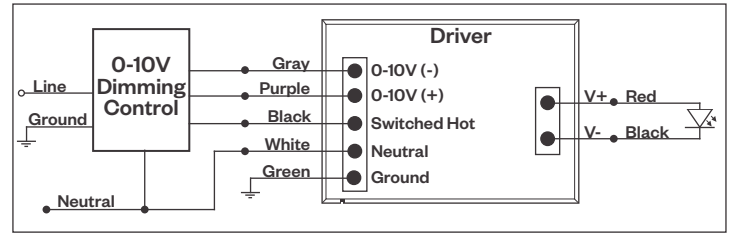
0-10V DIMMING

Integrates into a variety of building management and daylighting controls

Notes:

- 120VAC or 277VAC*
- Dims down to 1% light output
- Requires interface to turn off power to driver
- Consult Dimming manufacturer for installation instructions - **DO NOT SHARE NEUTRALS!**

0-10V Wiring Diagram



Compatible Dimmers*:

Wall Box	Central System
Lutron "Diva" - DVSTV Leviton Renoir II 0-10V	Lutron Grafik Eye with GRX-TVI Interface

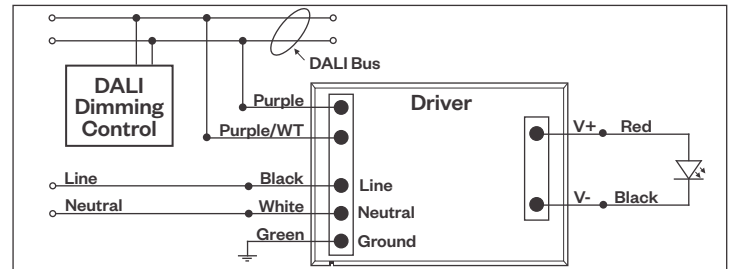
DALI DIMMING

Digital control protocol allows individual fixture control

Notes:

- 120VAC - 277VAC*
- Dims down to 1% light output in most cases

DALI Wiring Diagram



Compatible Dimmers*:

Wall Box (3-Wire Fluorescent)	Central System
Leviton CD250 Controller	Dynalite
	Fifth Light

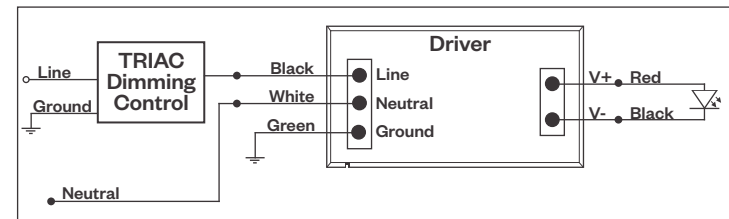
TRIAC (Forward Phase) DIMMING (Standard)

Utilizes standard TRIAC dimmers that are in wide use in installations across the US. Best for retrofit applications where TRIAC dimmers are installed.

Notes:

- 120VAC or 277VAC*
- Dims down to 5% light output (most cases)
- Consult Dimming manufacturer for installation instructions - **DO NOT SHARE NEUTRALS!**
- Must meet dimmer Minimum Load Requirements per dimming manufacturer

TRIAC Wiring Diagram



Compatible Dimmers*:

Wall Box (TRIAC 120VAC)	Central System
Lutron "Diva"	Lutron "GP" Panel
Lutron "Nova-T"	Lutron Grafik Eye QS
Lutron "Maestro"	
Lutron "Skylark"	

Notes:

* Driver is 277VAC dimmable with appropriate dimmer (by others). All provided wiring diagrams show 120VAC wiring colors and method. Please refer to 277VAC dimmer installation instructions for 277VAC wiring diagrams.

† The absence of a dimmer from the lists above does not imply incompatibility. Please consult factory for compatibility inquiries.

PROJECT:

TYPE:

Dimming Compatibility *(continued)*

Amerlux® Finch fixtures are compatible with all major dimming protocols prevalent in the United States. Please see below for general compatibilities and wiring diagrams. Amerlux recommends testing your unique dimming configuration as the exact full configuration (*Dimmer, Fixture Quantity, Voltage, etc*) may affect dimming performance.

--- NOTE: INFORMATION BELOW IS FOR WIRED DIMMERS ONLY. FOR WIRELESS DIMMERS, CONSULT FACTORY ---

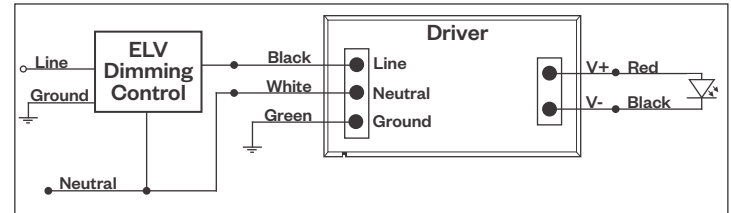
ELV - Electronic Low Voltage *(Reverse Phase) DIMMING (Standard)*

Utilizes specialized "ELV" dimmers.

Notes:

- 120VAC or 277VAC*
- Dims down to 5% light output (most cases)
- Consult Dimming manufacturer for installation instructions - **DO NOT SHARE NEUTRALS!**
- Must meet dimmer Minimum Load Requirements per dimming manufacturer

ELV Wiring Diagram



Compatible Dimmers†:		
Wall Box (ELV 120VAC)	Wall Box (ELV 277VAC)	Central System
Lutron "Diva"	Leviton Revoir II AWSMT-E	Lutron "GP" Panel with PHPM-PA 120/277VAC
Lutron "Nova-T"		Lutron Grafik Eye QS with PHPM-PA 120/277VAC
Lutron "Maestro"		
Lutron "Skylark"		
Leviton "Surslide"		
Leviton "Vizio"		

Notes:

* Driver is 277VAC dimmable with appropriate dimmer (by others). All provided wiring diagrams show 120VAC wiring colors and method. Please refer to 277VAC dimmer installation instructions for 277VAC wiring diagrams.

† The absence of a dimmer from the lists above does not imply incompatibility. Please consult factory for compatibility inquiries.