

INSTRUCTION SHEET



NORDIC GES/TEK/HTEK/XTS AIRCRAFT SUSPENSION, POWER FEED

689-0757

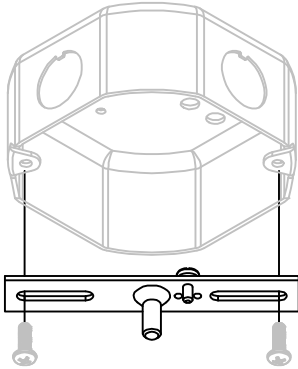
PAGE 1 OF 2

WARNING - RISK OF FIRE AND ELECTRICAL SHOCK. FIXTURE MUST BE INSTALLED BY A QUALIFIED ELECTRICIAN ONLY. FIXTURE IS INTENDED FOR INSTALLATION IN ACCORDANCE WITH THE NATIONAL ELECTRICAL CODE, LOCAL AND FEDERAL SPECIFICATIONS. DISCONNECT POWER AT ELECTRICAL PANEL BEFORE SERVICING.

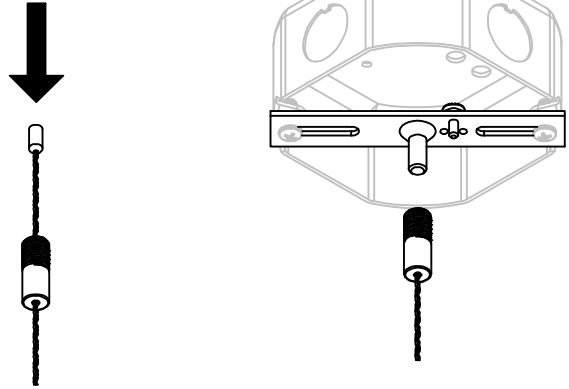
RETAIN THESE INSTRUCTIONS FOR MAINTENANCE REFERENCE.

1. Install Crossbar

- J-Box and Mounting Screws By Others

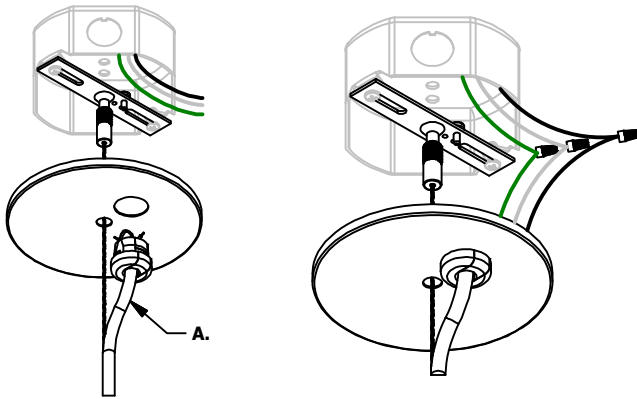


2. Feed Aircraft Cable Through Coupler and Secure to Crossbar



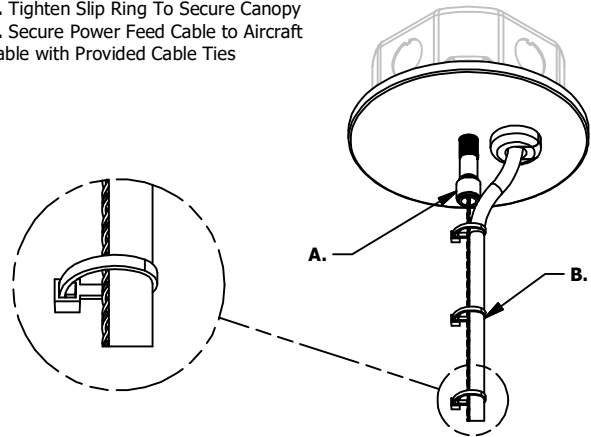
3. Make Connection

A. Power Feed Cord ordered separately



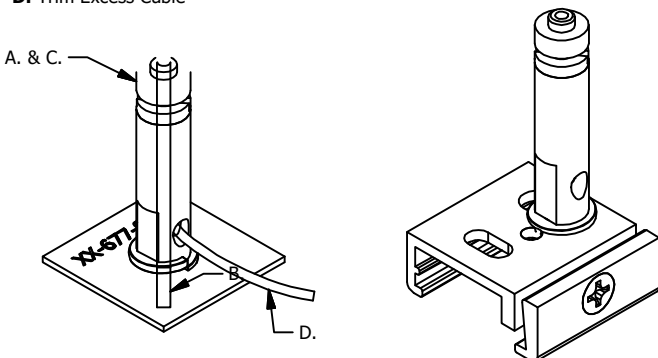
4. Install Canopy

A. Tighten Slip Ring To Secure Canopy
B. Secure Power Feed Cable to Aircraft Cable with Provided Cable Ties

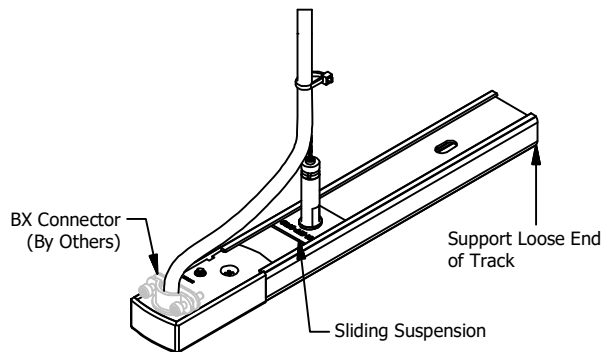


5. Feed Cable Gripper (Track May Vary)

A. Loosen Knurled Nut
B. Feed Aircraft Cable Through Gripper
C. Tighten Knurled Nut
D. Trim Excess Cable



6. Install Track and Make Connection



NOTE: GES TRACK SHOWN. FOR TEK/HTEK/XTS LOOSEN SCEW ON TRACK CLIP AND SLIDE TO DESIRED POSITION

Amerlux, 178 Bauer Drive, Oakland, N.J. 07436, T: 973-882-5010, F: 973-882-2604 www.amerlux.com

INSTRUCTION SHEET



NORDIC GES/TEK/HTEK/XTS AIRCRAFT SUSPENSION, NON-POWER FEED

689-0757

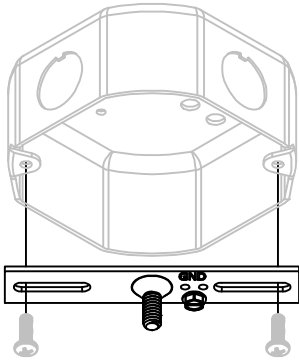
PAGE 2 OF 2

WARNING - RISK OF FIRE AND ELECTRICAL SHOCK. FIXTURE MUST BE INSTALLED BY A QUALIFIED ELECTRICIAN ONLY. FIXTURE IS INTENDED FOR INSTALLATION IN ACCORDANCE WITH THE NATIONAL ELECTRICAL CODE, LOCAL AND FEDERAL SPECIFICATIONS. DISCONNECT POWER AT ELECTRICAL PANEL BEFORE SERVICING.

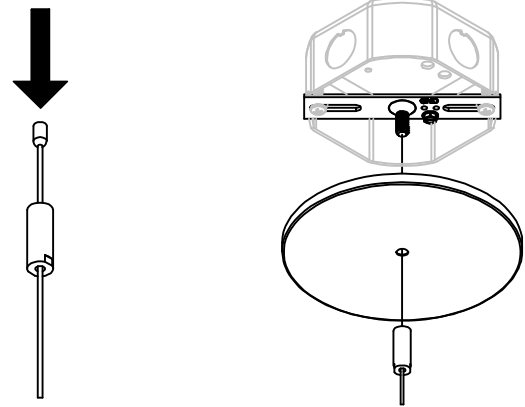
RETAIN THESE INSTRUCTIONS FOR MAINTENANCE REFERENCE.

CANOPY

1. Install Crossbar
- J-Box and Mounting Screws By Others

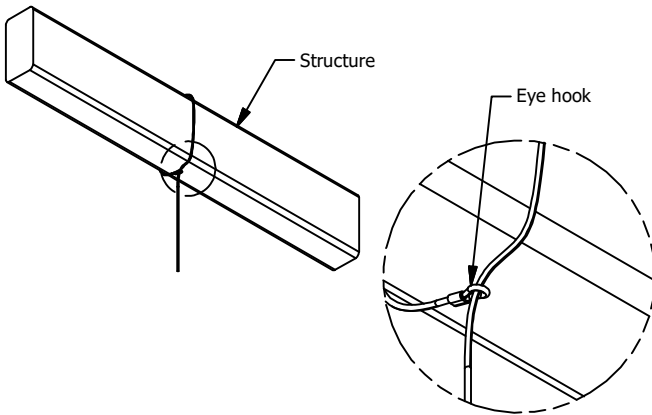


2. Feed Aircraft Cable and Secure to Crossbar

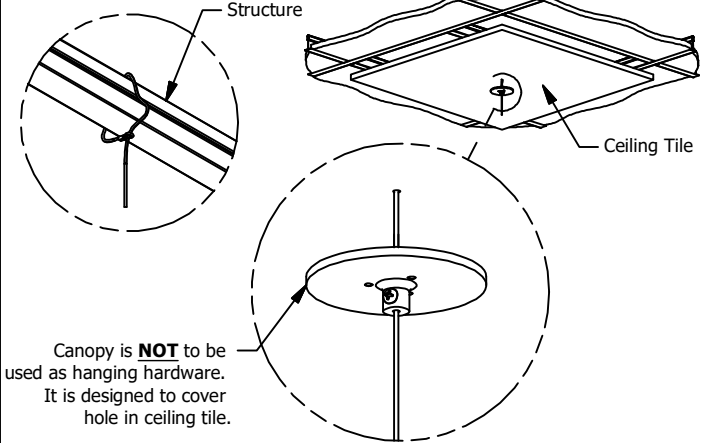


WRAP AROUND

3. Open Ceiling

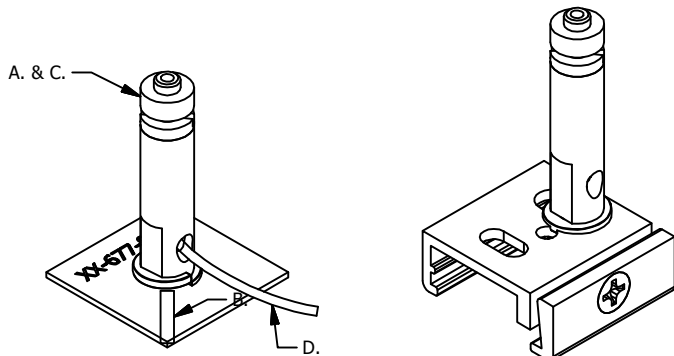


4. T-Grid

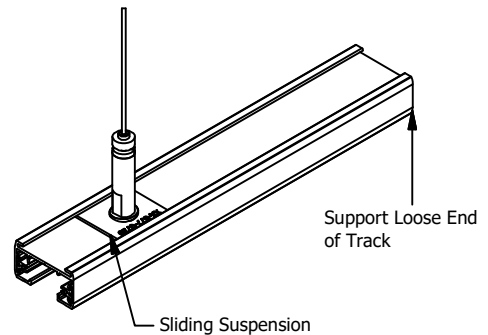


4. Feed Cable Gripper (Track May Vary)

- A. Loosen Knurled Nut
- B. Feed Aircraft Cable Through Gripper
- C. Tighten Knurled Nut
- D. Trim Excess Cable



5. Install Track



NOTE: GES TRACK SHOWN. FOR TEK/HTEK/XTS LOOSEN SCEW ON TRACK CLIP AND SLIDE TO DESIRED POSITION

Amerlux, 178 Bauer Drive, Oakland, N.J. 07436, T: 973-882-5010, F: 973-882-2604 www.amerlux.com