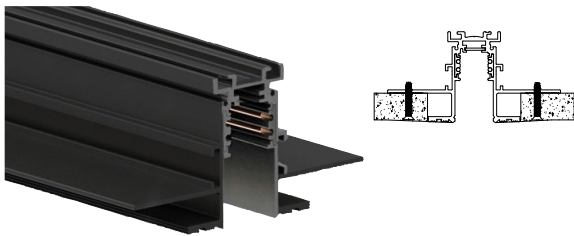


Slots & Dots

48V Low Voltage Track
Deep Profile Recessed



TRACK



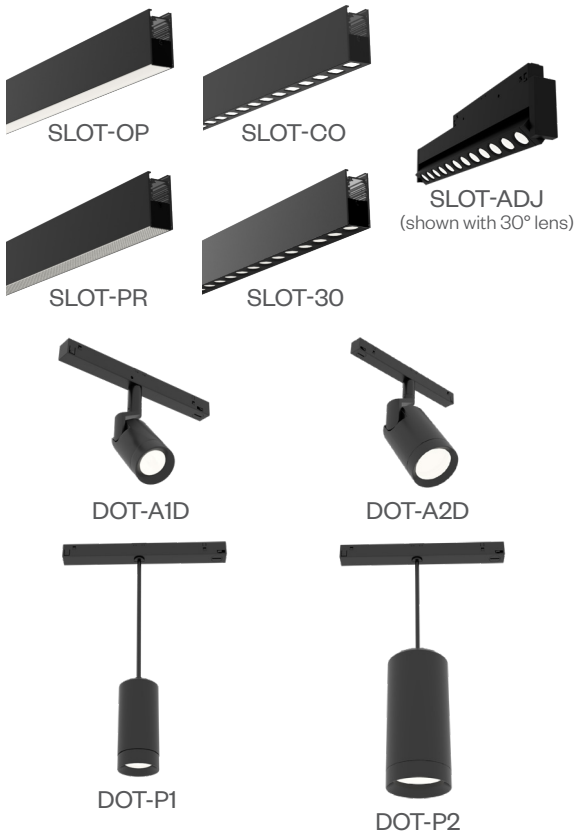
SD-TRD

Features

Slots & Dots, a 48V Track lighting system, connects all the dots for architects and lighting designers: color, comfort, controls and configurability. Slots & Dots is an easily configurable low voltage track lighting system that creates visual ambience for hospitality, residential, commercial and retail environments. Featuring surface, recessed or pendant mounting options, with easy light module in linear and accent that can be easily snapped in and out as needed. Slots are made up of linear modules to create visual interest, wall grazing and glare free accent. Dots deliver focused beams of light from either an accent pendant or surface mounted accent that bring items into focus.

PROJECT:

SLOTS & DOTS



TYPE:

Product Overview

Track (SD-TRD) Deep Profile Recessed

Type	48V Low Voltage Track
Circuit(s)/Amps:	1 circuit + Data Bus: ± 15A/0-48V + D+/D-
Voltage:	48V
Weight (lbs):	3.8 (4'), 7.6 (8')

Slots (SLOT-xx) (Linear Modules)

Type:	48V Track Linear System						
Watts:	6W/ft						
Lumen Output:	490 lm (OP), 343 lm (PR), 511 lm (CO), 527 lm (30)						
Color Temp:	2700K, 3000K, 3500K, 4000K						
CRI:	90 typ.						
Driver:	DALI 1% dim, 0-10V 1% dim						
Weight (lbs):		1'	2'	4'		1'	2'
	SLOT-OP	0.4	0.7	1.3	SLOT-ADJ-CO	0.45	0.9
	SLOT-PR	0.4	0.7	1.4	SLOT-ADJ-30	0.45	0.9
	SLOT-CO	0.5	0.9	1.8	SLOT-ADJ-26x42	0.45	0.9
	SLOT-30	0.5	0.9	1.7			

Dots (DOT-Ax/DOT-Px) (Accent Modules)

Type:	48V Track Accent & Pendant System	
Watts (per head):	Small - 7W (A1/P1)	Large - 16W (A2/P2)
Lumen Output:	391 lm (A1/P1), 1206 lm (A2/P2)	
Color Temp-CRI:	Small - 3500K-80, 4000K-80, 2700K-90+, 3000K-90+ Large - 2200K-90+, 2700K-90+, 3000K-90+, 3500K-90+, 4000K-90+, CrispWhite, 3K Class A	
Driver:	DALI 1% dim, 0-10V 1% dim	
Weight (lbs):	0.4 (DOT-A1), 0.8 (DOT-A2)	0.6 (DOT-P1), 1.1 (DOT-P2)



(JA8/Title 24 compliant on DOT models with certain options (see pg 6))

Slots & Dots

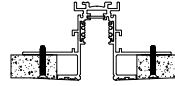
48V Low Voltage Track, Deep Profile Recessed



PROJECT:

TYPE:

Track Ordering Information



1

2

1

Track Model

- SD-TRD-4 - recessed deep profile track, 48"
- SD-TRD-8 - recessed deep profile track, 96"

Note: All tracks are field cuttable. SD-TOOL is required for cutting track conductors (ordered separately, see Accessories below)

2

Finish

- B - black
- W - white

Component Ordering Information

1

2

1

End Cap

(1 required for each end of track run)

- SD-EC-TD - end cap
- SD-EC-F-TD - end cap with feed hole

Connectors

(required to make electrical connection between tracks)

- SD-CNS-POL - middle connector, polarized, straight
- SD-CNS-M - middle connector, mechanical, straight
- SD-IVCJ-TRD - internal vertical mechanical corner joint
- SD-HCJ-TRD - horizontal mechanical corner joint
- SD-XF-POL* - flex connector, wall to ceiling and horizontal, polarized

* Can be used as in-plane with variable angle

End Feed

(1 live feed required for feed end of track)

- SD-SF-L-POL - end feed, polarized, left, straight
- SD-SF-R-POL - end feed, polarized, right, straight

Mounting Kits (Pendant mount)

SD-BR-314* - track joining bracket for SD-TRD/TRL to provide mechanical connection. Qty 3 for straight connection, Qty 4 for corner joint.

SD-RODKIT-TRD* - threaded rod kit, 8-32 rod (supplied by others), 1 required every 36"

SD-CABLEKIT-TRD* - aircraft cable kit, 1 required every 36"

* Finish not required

See Mounting example on page 14

Accessories

SD-4BLANK - 48" blank to cover track without light module

SD-8BLANK - 96" blank to cover track without light module

SD-TOOL* - cutting tool for track conductors 

* Finish not required

Note: All Blank sections are field cuttable

2

Finish

- B - black
- W - white

Transformer Ordering Information

1

1

Transformer (connect with 18AWG wire, plenum rated cable supplied, 30' max distance fixture to transformer, 120/277 input, 48V DC output)

- TR-48V100W - 100W, 48V transformer with enclosure*, capable of providing 80W of power
- TR-48V260W - 260W, 48V transformer with enclosure*, capable of providing 208W of power
- TR-48V320W - 320W, 48V transformer with enclosure*, capable of providing 256W of power

* Enclosure size: 15 1/16" x 4 5/16" x 2 3/16"

Note: Ensure that the transformer does not exceed 80% of the total wattage in order to maintain its optimal performance.

See pg 13 for voltage drop & max track length information.

Slots & Dots

48V Low Voltage Track, Deep Profile Recessed



PROJECT:

TYPE:

Specifications - Track

48V Low Voltage Track

Application

48V power supply for Amerlux® track lighting fixtures, 18AWG, 15 Amp

Construction

Architectural grade, extruded aluminum housing
Milled grounding bar provides continuous ground contact
Continuously crimped conductor ensures mechanical strength and electrical reliability

Finish

Black or white

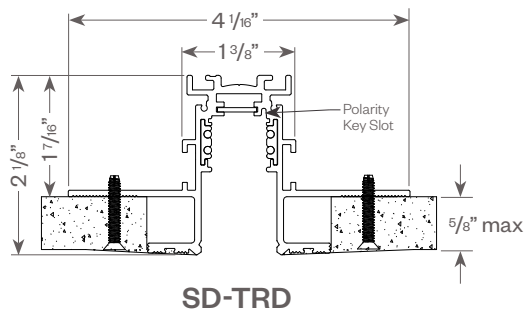
Mounting

Recessed mounted, 5/8" max ceiling thickness

Certifications

cUL listed for dry locations only

TRACK



Slots & Dots

48V Low Voltage Track, Deep Profile Recessed



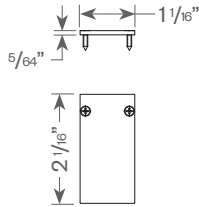
Slots & Dots - 48V LVT-Deep Profile Rec

PROJECT:

TYPE:

END CAPS

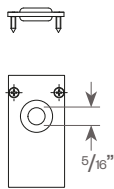
For SD-TRD Track



SD-EC-TD

(Required on each end of a track run)

With Feed hole



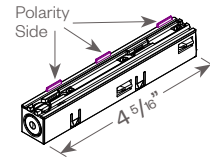
SD-EC-F-TD

(Required when feeding track from the side)

END FEED

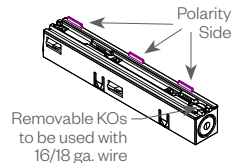
End Feed

Left Polarity



SD-SF-L-POL

Right Polarity



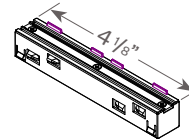
SD-SF-R-POL

Removable KOs to be used with 16/18 ga. wire

CONNECTORS

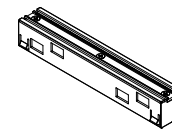
Middle Straight Connector

Polarized



SD-CNS-POL

Mechanical (non-electrical)

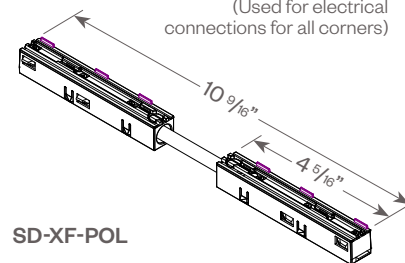


SD-CNS-M

(Used to create dead ends in between two sections of track)

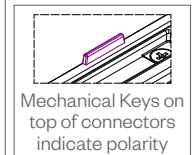
Flex Connector

(Used for electrical connections for all corners)



SD-XF-POL

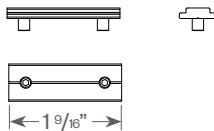
Note:



Mechanical Keys on top of connectors indicate polarity

MOUNTING BRACKETS/KITS

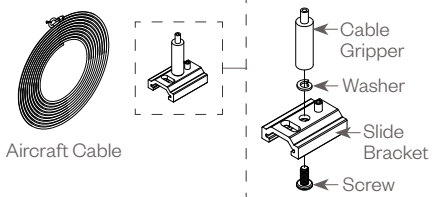
SD-BR-314



Reinforcement (Joining) Bracket to be used with straight connector and corners. This bracket will act as a mechanical connection for trimless track.

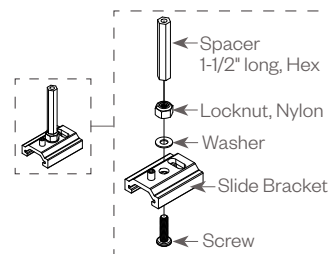
- (3) Required for straight connections.
- (4) Required for corner connections.

SD-CABLEKIT-TRD



Aircraft Cable

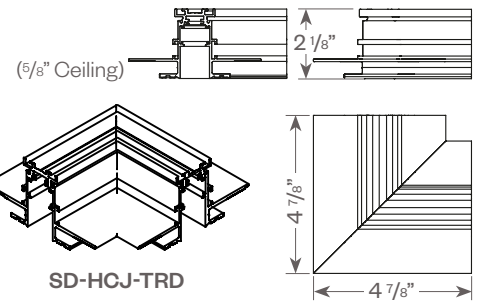
SD-RODKIT-TRD



Notes:

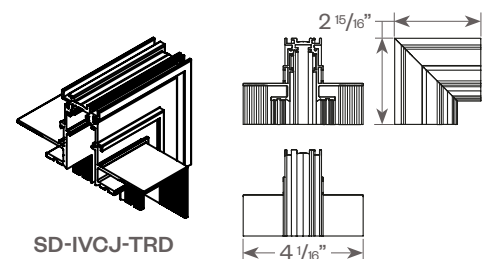
- 1. Kit is to be used with 8-32 threaded rod.
- 2. Do not tighten nylon locknut completely. Hex standoff must rotate freely.

Horizontal Mechanical Corner Joint



SD-HCJ-TRD

Internal Vertical Mechanical Corner Joint



SD-IVCJ-TRD

Slots & Dots

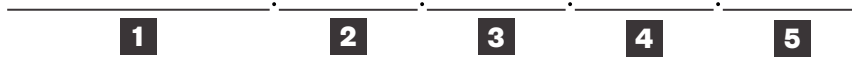
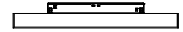
48V Low Voltage Track, Deep Profile Recessed



PROJECT:

TYPE:

SLOTS ORDERING INFORMATION (Linear Modules)



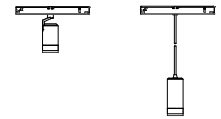
<p>1 <u>Model</u> SLOT-OP - linear segment with opal lens SLOT-PR* - linear segment with microprismatic lens SLOT-CO - linear segment with comfort lens SLOT-30* - linear segment with 30° lens SLOT-ADJ-CO+ - linear segment, adjustable with comfort lens SLOT-ADJ-30** - linear segment, adjustable with 30° lens SLOT-ADJ-26x42** - linear segment, adjustable with 26° x 42° lens * Available in 1' & 2' lengths only</p> <p>2 <u>Length</u> 1* - 1' nom. (11 1/4") 2 - 2' nom. (22 5/16") 4 - 4' nom. (44 7/16")</p>	<p>3 <u>Color Temp-CRI</u> 279* - 2700K-90 309 - 3000K-90 (standard) 359* - 3500K-90 409* - 4000K-90</p> <p>4 <u>Finish</u> B - black (standard) W* - white</p> <p>5 <u>Driver</u> DALI - DALI driver, 1% dim O-10V - O-10V driver, 1% dim</p>
---	---

* special order, consult factory for lead times

DOTS ORDERING INFORMATION (Accent)



T24 JA8/Title 24 compliant.



Small Accent/Pendant Module Ordering Information

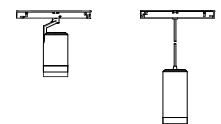


<p>1 <u>Model</u> (7W per accent/pendant head) DOT-A1D - small accent for deep profile track (SD-TSD) DOT-P1 - small pendant with 10' field adjustable cord</p> <p>2 <u>Finish</u> MW - matte white MB - matte black</p> <p>3 <u>Beam Spread</u> SP - spot, 13° NF - narrow flood, 18° FL - flood, 28°</p>	<p>4 <u>Color Temp-CRI</u> 80 CRI 90+ CRI^{T24} 35 - 3500K-80 279 - 2700K-90+ 40 - 4000K-80 309 - 3000K-90+</p> <p>5 <u>Driver</u> DALI - DALI driver, 1% dim (standard) O-10V^{T24} - O-10V driver, 1% dim</p> <p>6 <u>Accessories</u> (not JA8/Title 24 compliant) AH - accessory holder HEX - hexcell louver (requires AH)</p>
---	--

Large Accent/Pendant Module Ordering Information



T24 JA8/Title 24 compliant.



<p>1 <u>Model</u> (16W per accent/pendant head) DOT-A2D - large accent for deep profile track DOT-P2 - large pendant with 10' field adjustable cord</p> <p>2 <u>Finish</u> MW - matte white MB - matte black</p> <p>3 <u>Beam Spreads</u> SP - spot, 15° WF - wide flood, 45° NF - narrow flood, 22° VWF - very wide flood, 60° MFL - medium flood, 25° LS - linear spread, 60° x 10° (reduces # FL - flood, 28° of accessories by 1, if applicable)</p>	<p>4 <u>Color Temp</u> 90+ CRI^{T24} 229 - 2200K-90+ CRISP - CrispWhite 279 - 2700K-90+ 3CLA - 3K Class A 309 - 3000K-90+ 359 - 3500K-90+ 409 - 4000K-90+</p> <p>5 <u>Driver</u> DALI - DALI driver, 1% dim (standard) O-10V^{T24} - O-10V driver, 1% dim</p> <p>6 <u>Options/Accessories</u> (not JA8/Title 24 compliant) (standard front door accepts up to 2 accessories) SN - snoot (accepts up to 2 accessories or cross blade + 1 accessory) HEX - hexcell louver SOL - solite beam softening lens CB - cross blade (requires snoot)</p>
--	--

Slots & Dots

48V Low Voltage Track, Deep Profile Recessed



PROJECT:

TYPE:

Specifications - Light Modules

Slots (Linear Light Module)

Application

Hospitality and retail task lighting

Construction

Extruded aluminum heatsink
No exposed wiring

Optical

Lens options: Opal, Microprismatic, Comfort or 30°

LED

Color Temp Options: 2700K, 3000K, 3500K, 4000K
CRI: 90 typ.
Binning: 3 MacAdam (SDCM)
Life: 50,000+ hrs, > 70% of initial lumens at 50,000 hrs

Electrical

Wattage: 6W/ft
Electronic constant current LED driver, 48V input
18AWG, 15 Amp

Drivers

DALI driver, 1% dimming
0-10V driver, 1% dim

Finish

Powder coat paint, matte black or matte white

Mounting

A mechanical adapter allows for a quick and tool-less mounting to Amerlux's 48V track system, which saves times during installation and allows for easy reconfiguration

Certifications

cUL listed
Indoor use only

Warranty

5 year limited warranty

Dots (Accent/Pendant Light Module)

Application

Hospitality and retail task lighting

Construction

Complete die-cast optical head construction
No exposed wiring

Optical

Tilt: 0-90° (for accent head)
Rotation: 360°+ (for accent head)
Beam Spreads: A1/P1: Spot, 13°; Narrow Flood, 18°; Flood, 28°
A2/P2: Spot, 15°; Narrow Flood, 22°; Medium Flood, 25°; flood, 28°; wide flood, 45°; very wide flood, 60°
linear spread, 60° x 10°

LED

Color Temp Options*: 2700K, 3000K, 3500K, 4000K
CRI*: 80 typ. or 90+ typ.
R9 Values: A1/P1: 7 (80 CRI), 77 (90+ CRI)
A2/P2: 55 (90+ CRI)
Binning: 3 MacAdam (SDCM)
Life: 50,000+ hrs, > 70% of initial lumens at 50,000 hrs

* see ordering page for details

Electrical

Wattage: 7W (A1/P1), 16W (A2/P2)
Electronic constant current LED driver, 48V input
18AWG, 15 Amp

Drivers

DALI driver, 1% dimming
0-10V driver, 1% dim

Finish

Powder coat paint, matte black or matte white

Mounting

A mechanical adapter allows for a quick and tool-less mounting to Amerlux's 48V track system, which saves times during installation and allows for easy reconfiguration

Certifications

CSA listed
Indoor use only
JA8/Title 24 Compliant (see ordering page for options that apply)

Warranty

5 year limited warranty

Slots & Dots

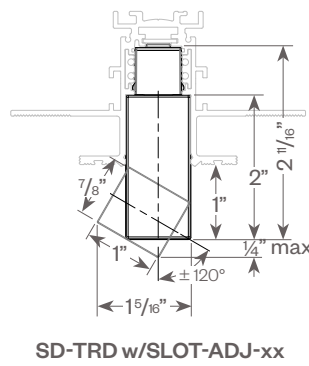
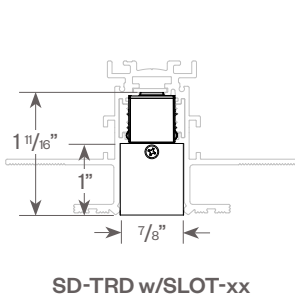
48V Low Voltage Track, Deep Profile Recessed



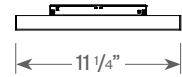
PROJECT:

TYPE:

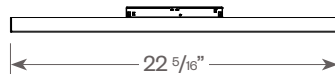
SLOTS



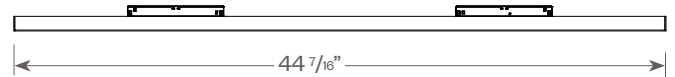
1 FOOT NOMINAL



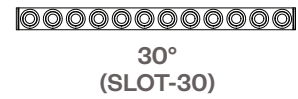
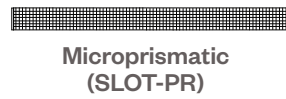
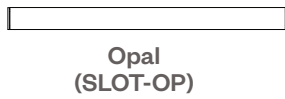
2 FOOT NOMINAL



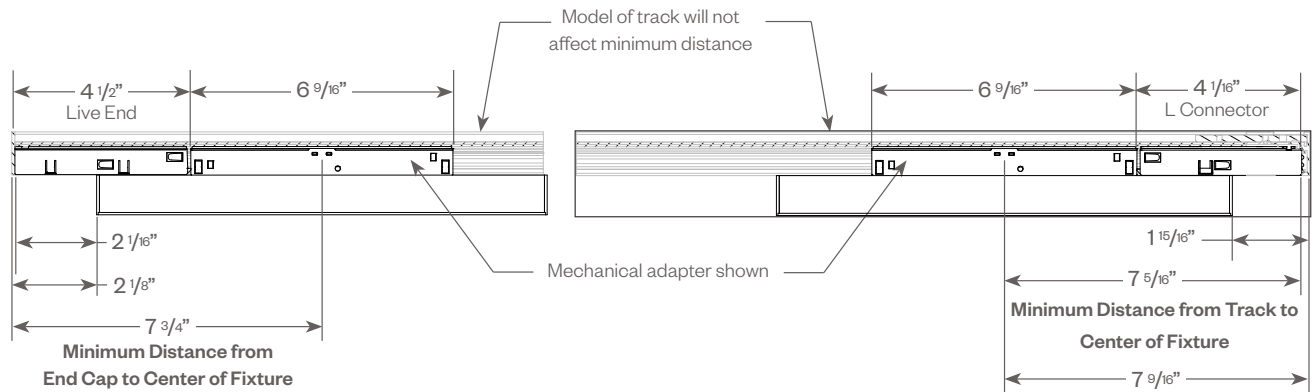
4 FOOT NOMINAL



SLOT - LENSES



MINIMUM DISTANCE WITH LIVE END & L CONNECTOR



Slots & Dots

48V Low Voltage Track, Deep Profile Recessed

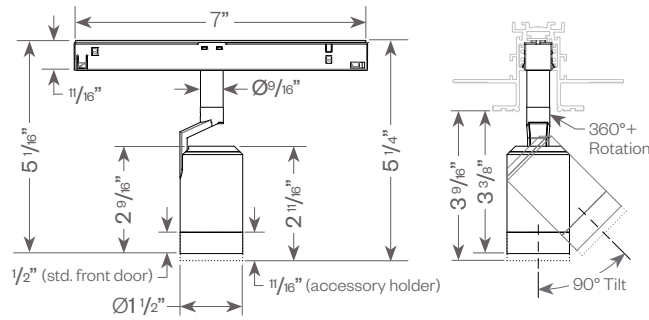


PROJECT:

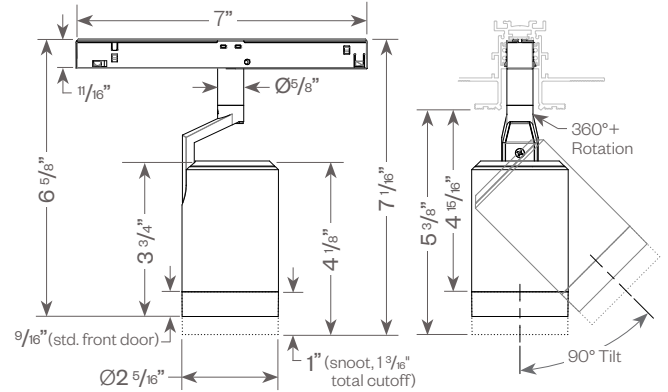
TYPE:

DOTS WITH SD-TRD TRACK (RECESSED DEEP PROFILE)

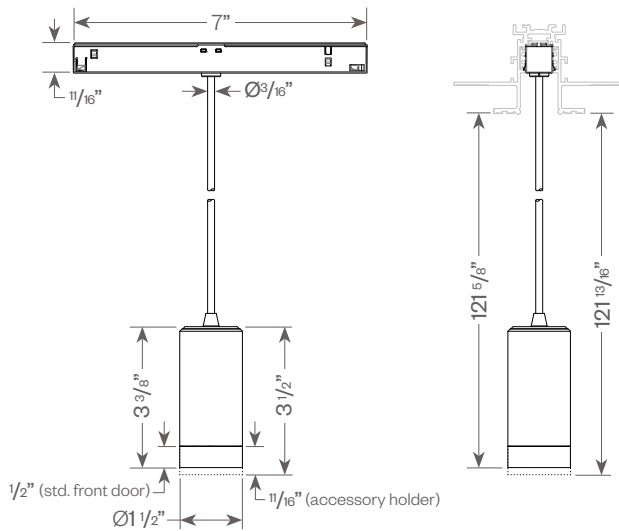
DOT-A1D



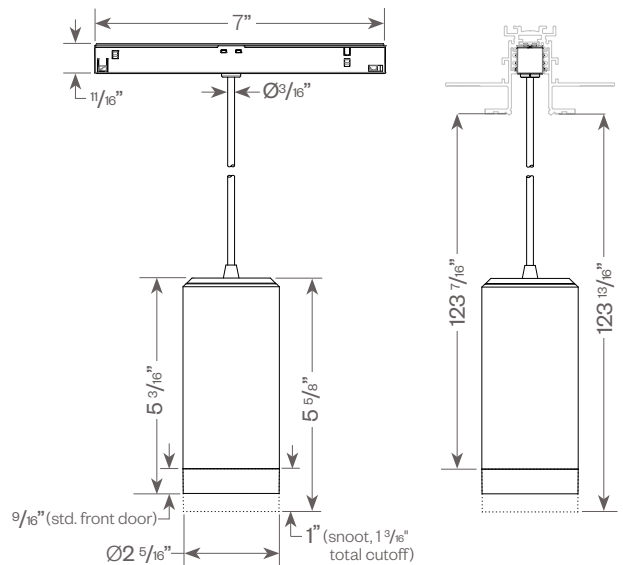
DOT-A2D



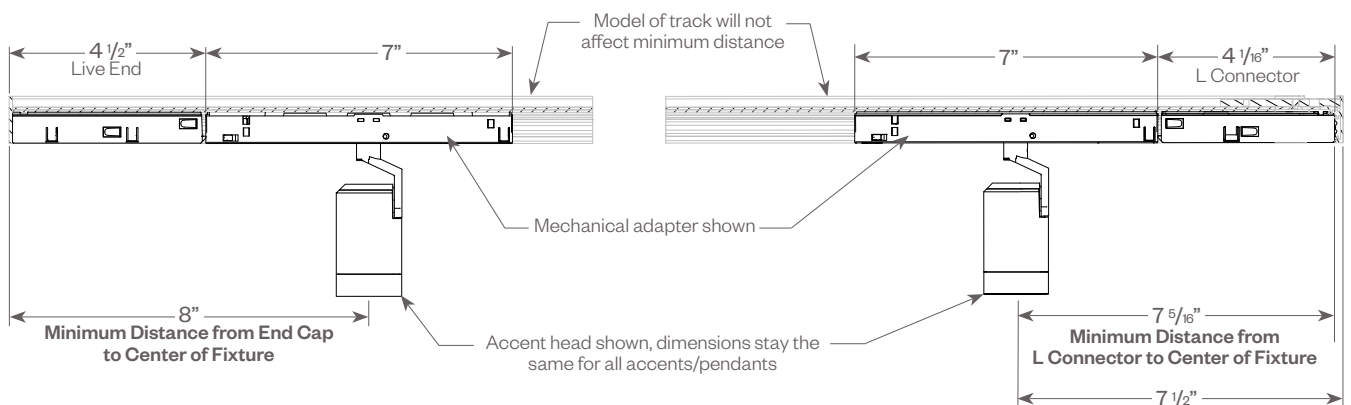
DOT-P1



DOT-P2



MINIMUM DISTANCE WITH LIVE END & L CONNECTOR



Slots & Dots

48V Low Voltage Track, Deep Profile Recessed



PROJECT:

TYPE:

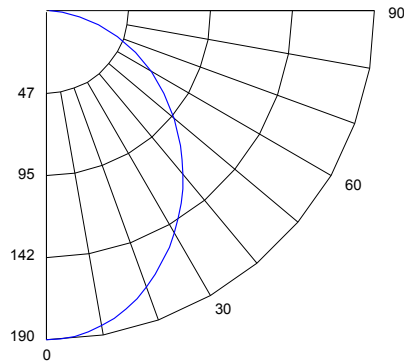
FIXTURE DATA: (Complete photometric data (.ies format) available upon request)

MULTIPLYING FACTORS: (Multiplying Factor is based on 3000K-90 120V IES file on website)

CCT:	2700K-90	3000K-90	3500K-90	4000K-90
Factor:	0.98	1.0	1.03	1.07

SLOT-OP-1-309

Total Watts: 6
Total Lumens: 490
Lumens/Watt: 81.7



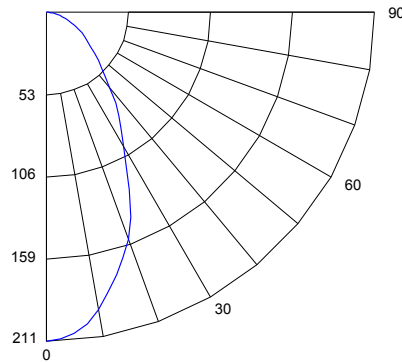
ZONAL LUMEN SUMMARY

Zone	Lumens	%Fixt
0-40	228	46.6
0-60	390	79.7
0-90	490	100.0
0-180	490	100.0

Total Luminaire Efficiency = 82%

SLOT-PR-1-309

Total Watts: 6
Total Lumens: 343
Lumens/Watt: 57.2



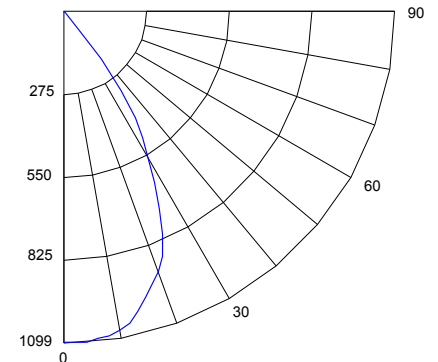
ZONAL LUMEN SUMMARY

Zone	Lumens	%Fixt
0-40	209	60.8
0-60	301	87.5
0-90	342	99.7
0-180	343	100.0

Total Luminaire Efficiency = 57%

SLOT-CO-1-309

Total Watts: 6
Total Lumens: 511
Lumens/Watt: 85.2



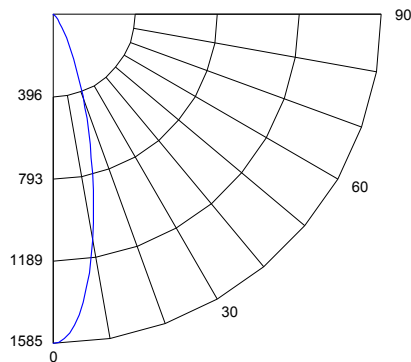
ZONAL LUMEN SUMMARY

Zone	Lumens	%Fixt
0-40	488	95.5
0-60	511	99.9
0-90	511	100.0
0-180	511	100.0

Luminaire Efficacy = 91%

SLOT-30-1-309

Total Watts: 6
Total Lumens: 527
Lumens/Watt: 87.8



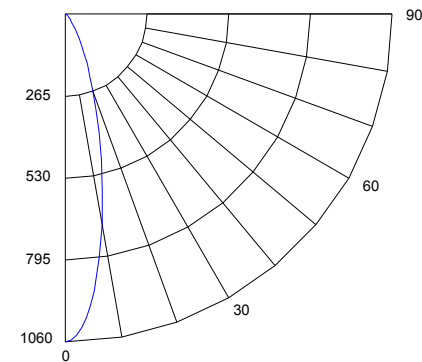
ZONAL LUMEN SUMMARY

Zone	Lumens	%Fixt
0-40	492	93.3
0-60	523	99.2
0-90	527	99.7
0-180	527	100.0

Luminaire Efficacy = 95%

SLOT-ADJ-26X42-1-309

Total Watts: 6
Total Lumens: 474
Lumens/Watt: 79



ZONAL LUMEN SUMMARY

Zone	Lumens	%Fixt
0-40	428	90.4
0-60	468	98.7
0-90	474	100.0
0-180	474	100.0

Luminaire Efficacy = 85%

Slots & Dots

48V Low Voltage Track, Deep Profile Recessed



PROJECT:

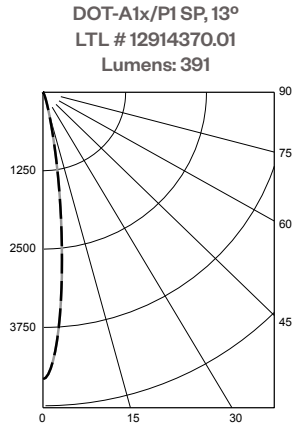
TYPE:

FIXTURE DATA: (Complete photometric data (.ies format) available upon request)

MULTIPLYING FACTORS: (Multiplying Factor is based on 3000K-90+ 120V IES file on website)

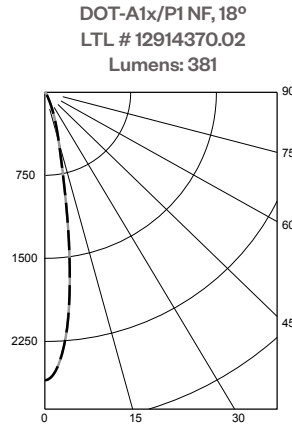
CCT:	3500K-80	4000K-80	2700K-90+	3000K-90+
Factor:	1.20	1.25	0.96	1.0

7W LED, 3000K-90+



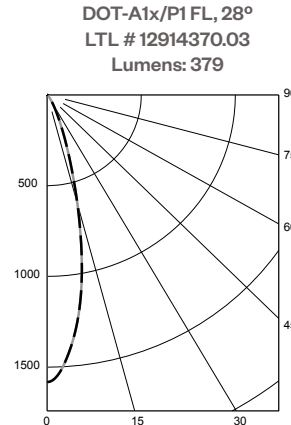
Candelas at Nadir

Deg	Candela
0	4573
5	3137
15	340
25	48
35	15
45	10



Candelas at Nadir

Deg	Candela
0	2601
5	2140
15	440
25	102
35	31
45	13



Candelas at Nadir

Deg	Candela
0	1583
5	1394
15	576
25	132
35	33
45	10

APPLICATION DATA:

Notes and Definitions:

Beam spread is to 50% center beam candlepower (CBCP).

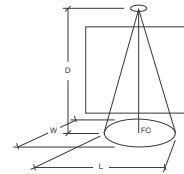
D=Distance to floor or wall.

FC=Footcandles on floor or wall at center beam aiming location.

L=Effective Visual Beam length in feet (50% of maximum footcandle level).

W=Effective Visual Beam width in feet (50% of maximum footcandle level).

CB=Distance across or down to center beam location.



**0° Aiming Angle
Horizontal
Footcandles**

	0° Aiming Angle Horizontal Footcandles			
	D	FC	L	W
Spot	5.0'	102	1.6	1.6
	7.5'	60	2.2	2.2
	10.0'	38	2.8	2.8
	12.5'	26	3.3	3.3
Narrow Flood	5.0'	71	1.9	1.9
	7.5'	39	2.6	2.6
	10.0'	23	3.3	3.3
	12.5'	16	3.9	3.9
Flood	5.0'	50	2.5	2.5
	7.5'	25	3.4	3.4
	10.0'	15	4.5	4.5
	12.5'	10	5.5	5.5

Slots & Dots

48V Low Voltage Track, Deep Profile Recessed



PROJECT:

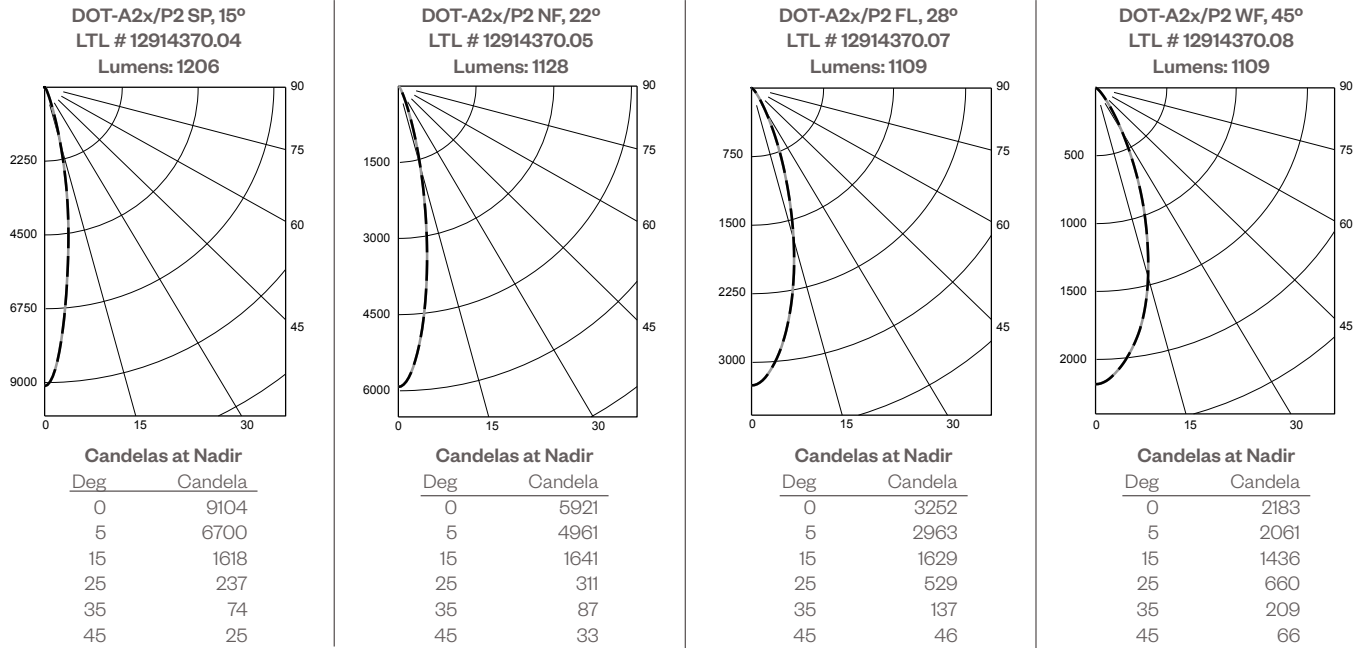
TYPE:

FIXTURE DATA: (Complete photometric data (.ies format) available upon request)

MULTIPLYING FACTORS: (Multiplying Factor is based on 3000K-90+ 120V IES file on website)

CCT:	2200K-90	2700K-90	3000K-90	3500K-90+	4000K-90+	CRISP	3CLA
Factor:	0.86	0.96	1.0	1.05	1.08	0.76	0.90

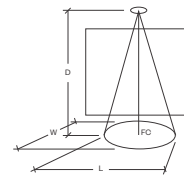
16W LED, 3000K-90+



APPLICATION DATA:

Notes and Definitions:

- Beam spread is to 50% center beam candlepower (CBCP).
- D**=Distance to floor or wall.
- FC**=Footcandles on floor or wall at center beam aiming location.
- L**=Effective Visual Beam length in feet (50% of maximum footcandle level).
- W**=Effective Visual Beam width in feet (50% of maximum footcandle level).
- CB**=Distance across or down to center beam location.



**0° Aiming Angle
Horizontal
Footcandles**

	D	FC	L	W
Spot	5.0'	232	2.0	2.0
	7.5'	126	2.7	2.7
	10.0'	77	3.3	3.3
	12.5'	52	4.0	4.0
Narrow Flood	5.0'	174	2.3	2.3
	7.5'	90	3.1	3.1
	10.0'	54	3.9	3.9
	12.5'	35	4.8	4.8
Flood	5.0'	109	2.9	2.9
	7.5'	53	3.9	3.9
	10.0'	31	5.2	5.2
	12.5'	20	6.5	6.5
Wide Flood	5.0'	77	3.4	3.4
	7.5'	37	4.9	4.9
	10.0'	21	6.5	6.5
	12.5'	14	8.0	8.0

Slots & Dots

48V Low Voltage Track, Deep Profile Recessed

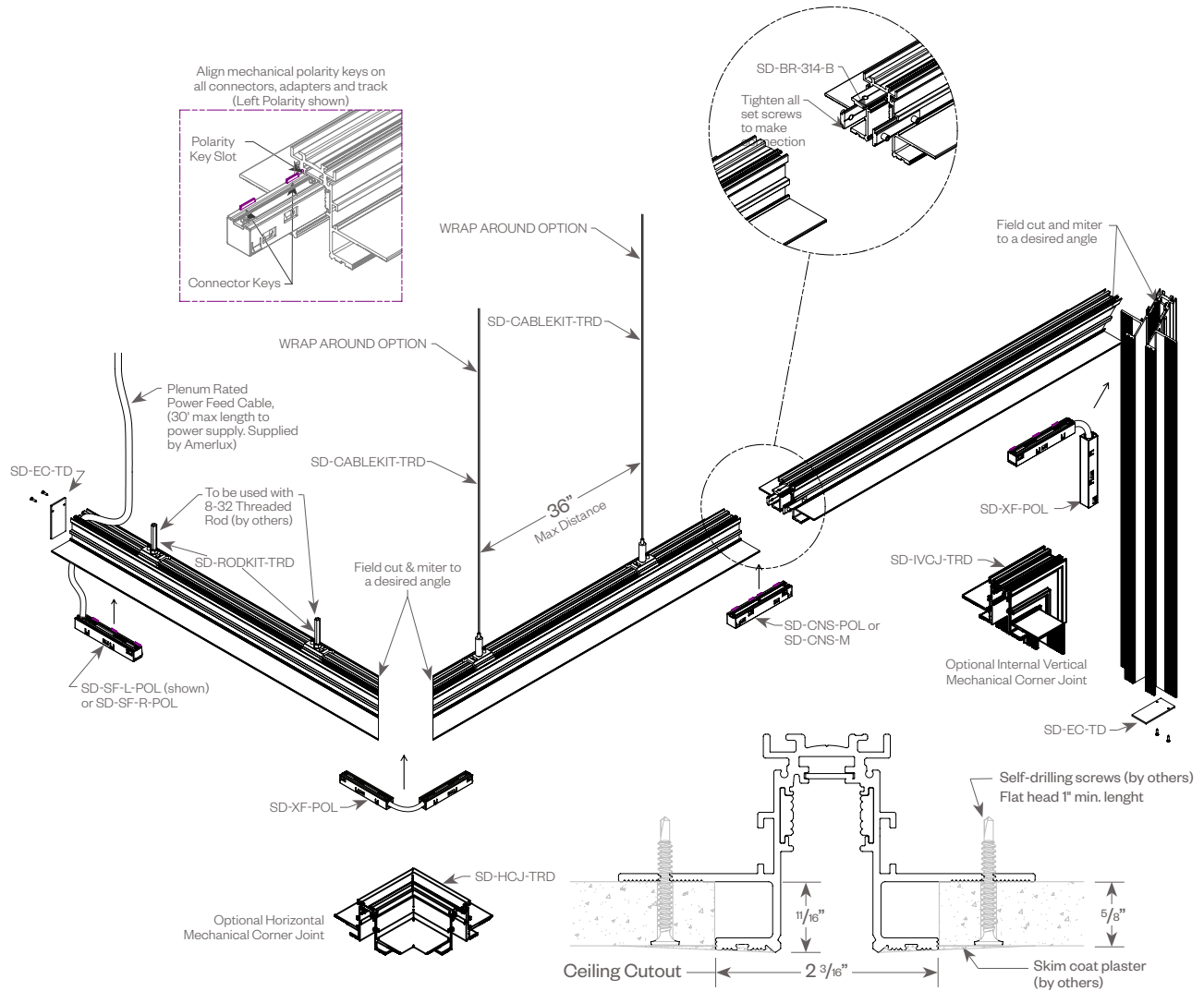


PROJECT:

TYPE:

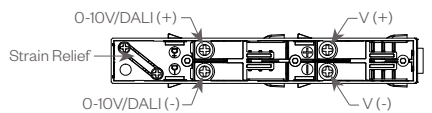
TRD TRACK BREAKDOWN

NOTES: 48V Transformer is remote mounted no further than 30'. Wires from transformer to J-Box are to be 18 ga.

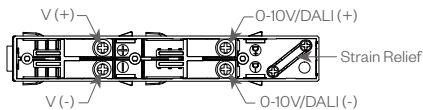


END FEED WIRING

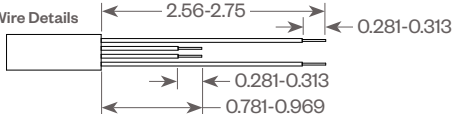
Left End Feed



Right End Feed

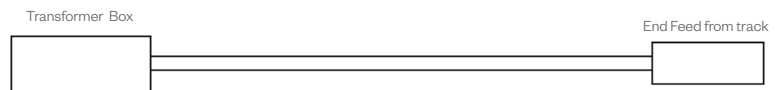


Wire Details



REMOTE WIRING

Note: Refer to Wired Control wiring schematics, pg 14.



VOLTAGE DROP

Maximum allowed track length for a 30' plenum rated cable supplied by Amerlux according to the selected wattages.

Power Supply (W)/	Max.Track Length (ft)
100W	750
260W	200
320W	150

Voltage drop approximately 12.5%, 6V

Note: Ensure that the transformer does not exceed 80% of the total wattage in order to maintain its optimal performance.

Slots & Dots

48V Low Voltage Track, Deep Profile Recessed



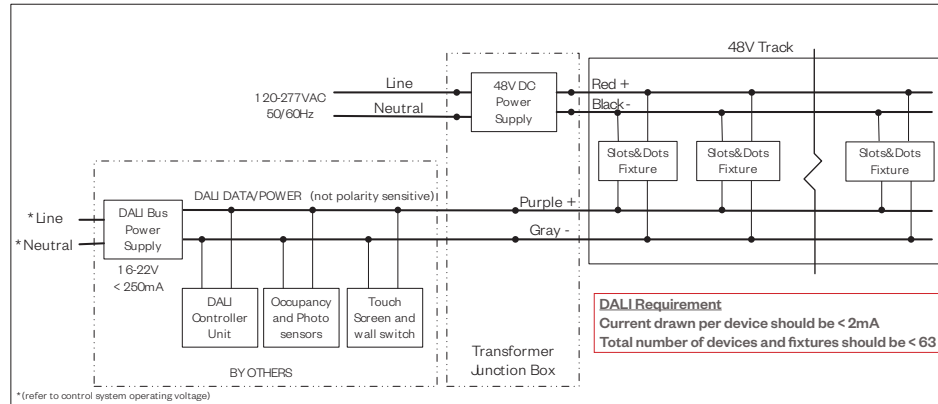
PROJECT:

TYPE:

DIMMING COMPATIBILITY:

Amerlux® Slots & Dots 48V system is compatible with DALI system. Please see below for wiring diagrams. Amerlux recommends testing your unique dimming configuration as the exact full configuration (Dimmer, Fixture Quantity, Voltage, etc) may affect dimming performance.

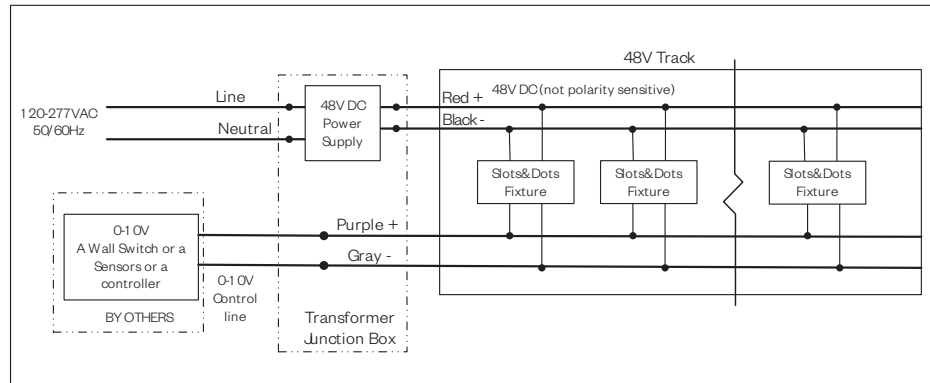
WIRED CONTROL - DALI



SUGGESTED SWITCHES FOR WIRED CONNECTION

Manufacturer	Model	
Loytec DALI PSU	L-DALI-PWR2-U	DALI Bus Power Supply, 85-240VAC input, 2 channel DALI PSU, 116 mA per channel
Loytec Controller	L-DALI-ME204-U	DALI Controller, 4 channel DALI
Loytec Controller	L-DALI-ME201-U	DALI Controller, 1 DALI channel with integrated DALI power supply
B.E.G	PP-DALI-PS	DALI Bus Power Supply, 120-277VAC input, 100 mA bus power

WIRED CONTROL - 0-10V



Notes:

- 120V or 277V*
- Dims down to 1% light output
- Requires interface to turn off power to driver
- Consult Dimming manufacturer for installation instructions - DO NOT SHARE NEUTRALS!

Compatible Dimmers†:

Wall Box

Lutron "Diva" - DTV with PP-120H Interface
Leviton Renoir II 0-10V

Central System

Lutron Grafik Eye with GRX-TVI Interface

Notes:

- * Driver is 277V dimmable with appropriate dimmer (by others). All provided wiring diagrams show 120V wiring colors and method. Please refer to 277V dimmer installation instructions for 277V wiring diagrams.
- † The absence of a dimmer from the lists above does not imply incompatibility. Please consult factory for compatibility inquiries.