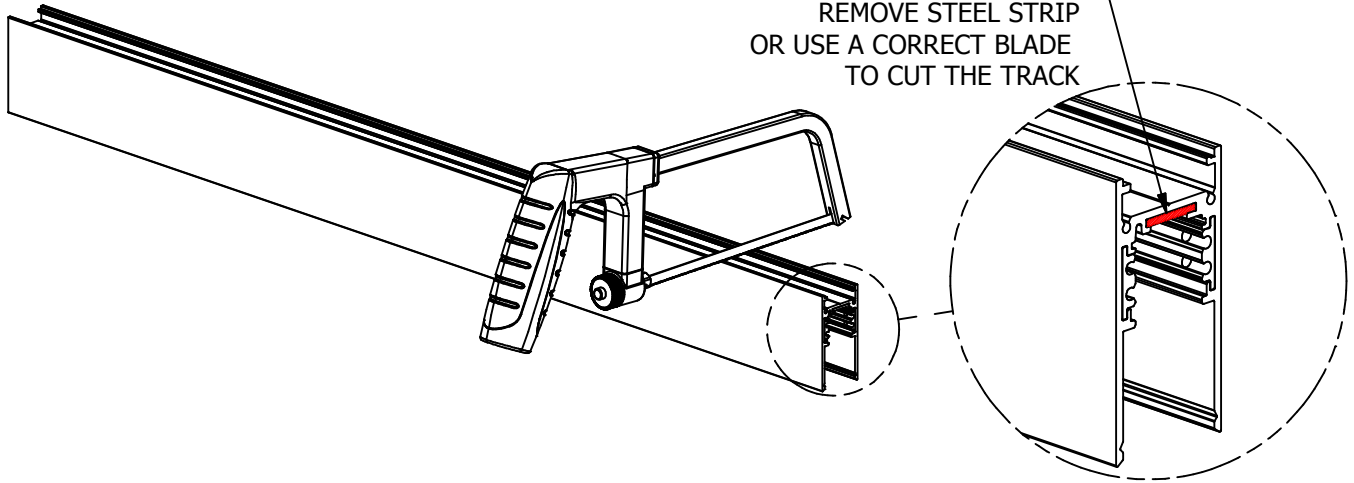
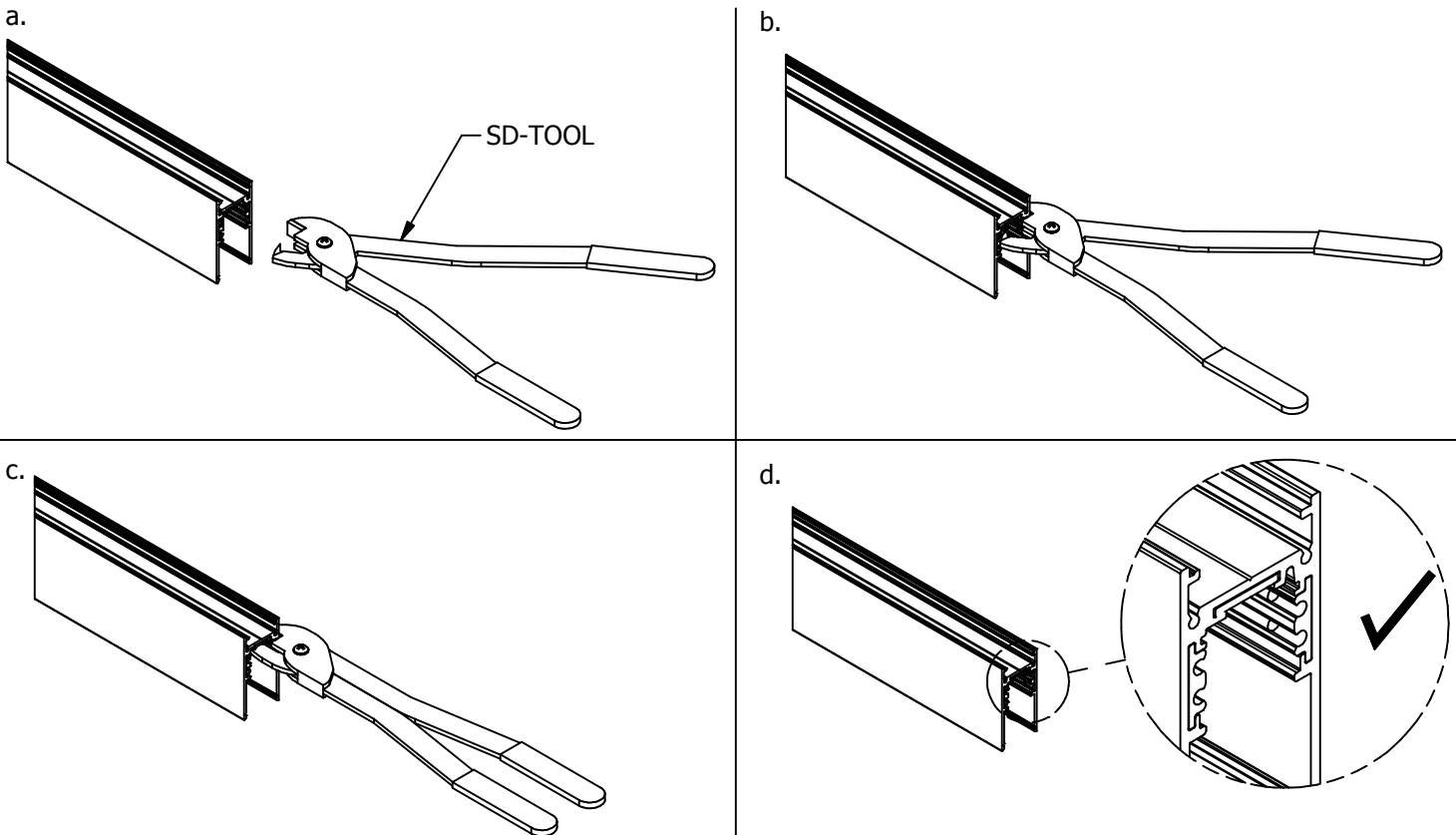


WARNING - RISK OF FIRE AND ELECTRICAL SHOCK. FIXTURE MUST BE INSTALLED BY A QUALIFIED ELECTRICIAN ONLY. FIXTURE IS INTENDED FOR INSTALLATION IN ACCORDANCE WITH THE NATIONAL ELECTRICAL CODE, LOCAL AND FEDERAL SPECIFICATIONS. DISCONNECT POWER AT ELECTRICAL PANEL BEFORE SERVICING. RETAIN THESE INSTRUCTIONS FOR MAINTENANCE REFERENCE.

1. CUT TO DESIRED LENGTH



2. TRIM COPPER CONDUCTORS





INSTRUCTION SHEET

SLOTS N DOTS, WIRING

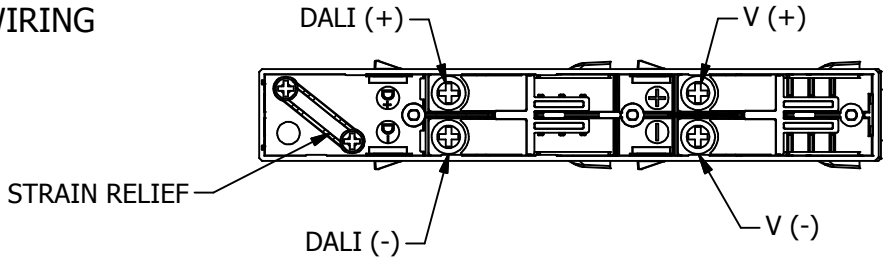
689-0820

PAGE 2 OF 2

WARNING - RISK OF FIRE AND ELECTRICAL SHOCK. FIXTURE MUST BE INSTALLED BY A QUALIFIED ELECTRICIAN ONLY. FIXTURE IS INTENDED FOR INSTALLATION IN ACCORDANCE WITH THE NATIONAL ELECTRICAL CODE, LOCAL AND FEDERAL SPECIFICATIONS. DISCONNECT POWER AT ELECTRICAL PANEL BEFORE SERVICING.

RETAIN THESE INSTRUCTIONS FOR MAINTENANCE REFERENCE.

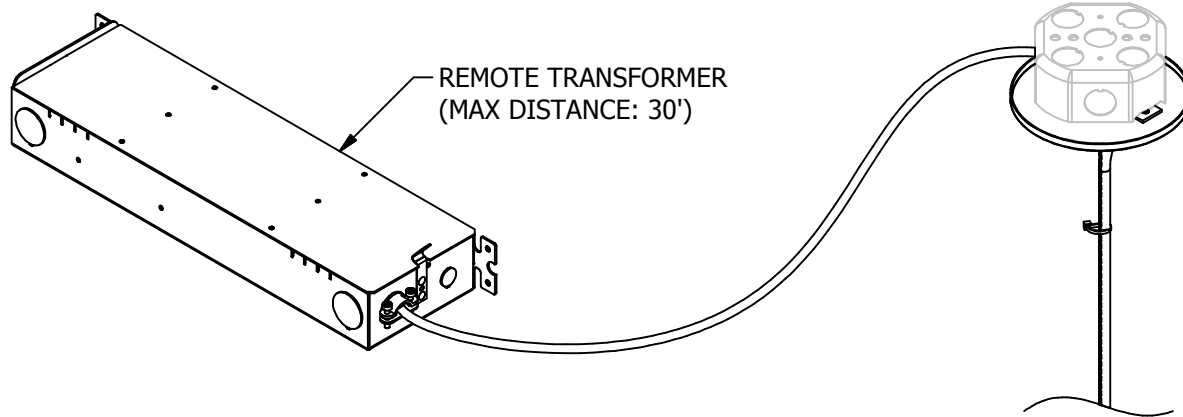
END FEED WIRING



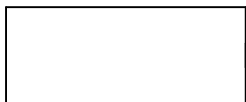
WIRE DETAILS



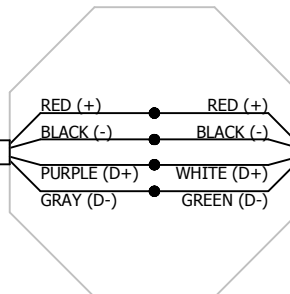
PENDANT WIRING



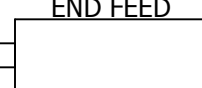
TRANSFORMER BOX



JUNCTION BOX



END FEED



NOTES:

- 1. ENSURE ALL CONNECTORS ARE INSERTED COMPLETELY INTO THE TRACK
- 2. TURN POWER OFF BEFORE REMOVING AND/OR INSTALLING ANY FIXTURES AND DALI CONTROLLERS

Amerlux, 178 Bauer Drive, Oakland, N.J. 07436, T: 973-882-5010, F: 973-882-2604 www.amerlux.com