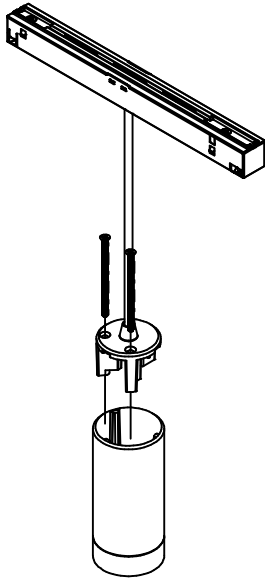


WARNING - RISK OF FIRE AND ELECTRICAL SHOCK. FIXTURE MUST BE INSTALLED BY A QUALIFIED ELECTRICIAN ONLY. FIXTURE IS INTENDED FOR INSTALLATION IN ACCORDANCE WITH THE NATIONAL ELECTRICAL CODE, LOCAL AND FEDERAL SPECIFICATIONS. DISCONNECT POWER AT ELECTRICAL PANEL BEFORE SERVICING.

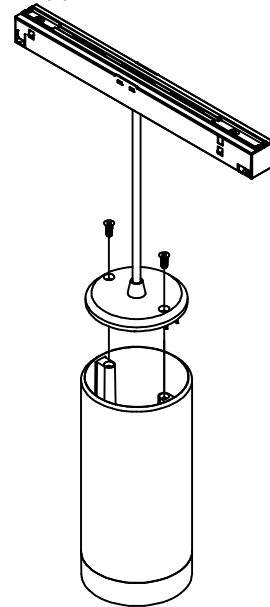
RETAIN THESE INSTRUCTIONS FOR MAINTENANCE REFERENCE.

1. REMOVE TOP COVER

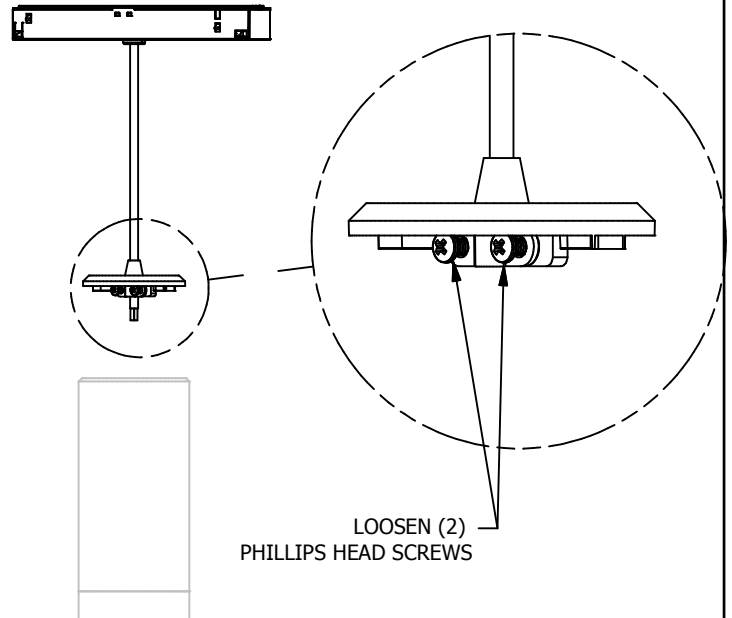
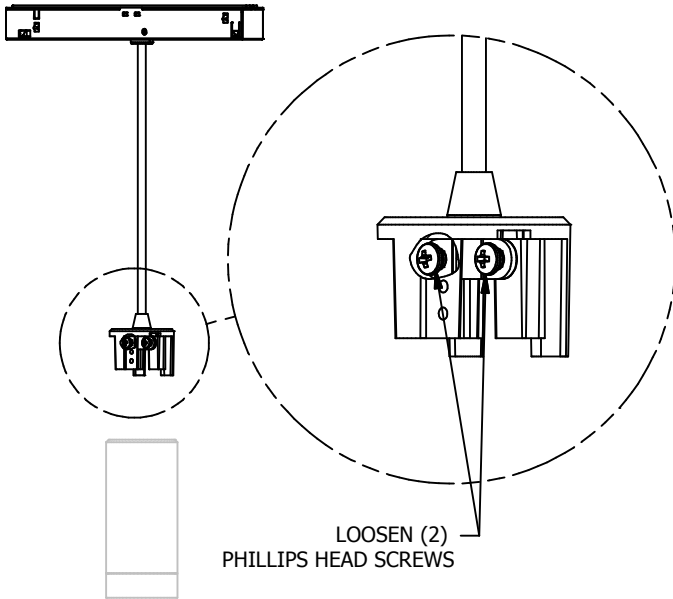
DOT 1
REMOVE (2) PHILLIPS HEAD SCREWS



DOT 2
REMOVE (2) PHILLIPS HEAD SCREWS



2. LOOSEN STRAIN RELIEF AND ADJUST LENGTH
(WIRE NOT SHOWN FOR CLARITY)



3. CUT EXCESS WIRE OR PLACE INSIDE OF HEATSINK. REWIRE AND REASSEMBLE IN REVERSE ORDER.

Amerlux, 178 Bauer Drive, Oakland, N.J. 07436, T: 973-882-5010, F: 973-882-2604 www.amerlux.com