

CURRENT LIMITING DEVICE

GLOBAL TRACK 2 CIRCUIT/2 NEUTRAL, 120V

ACL-TEK
2C/2N, 120V

APPLICATIONS:

Limits the amount of electrical load placed on a run of 2 circuit/2 neutral track to meet Energy Code restrictions

CONSTRUCTION:

Cover:

Molded UL approved polycarbonate, color-matched to track components

Mounting Plate:

Stamped steel 16 ga. zinc plated
Integral track connector is keyed for polarity by order based on feed direction

Circuit Breaker:

Integrated rocker style circuit breaker features ON/OFF markings

Snap-in circuit breaker contains screw terminals for 12 ga. copper conductors

MOUNTING:

Surface mounts directly to a 4" octagonal box
Compatible with Global TEK 2 circuit/2 neutral track

Remote and suspension mounting options, see following page

LABELING:



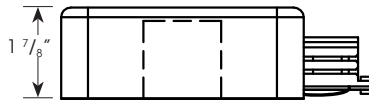
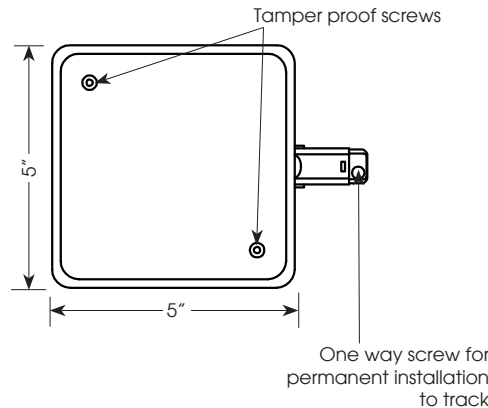
Title 24 CEC listed



PROJECT:

TYPE:

For TEK Track information [click here](#).



ELECTRICAL

120 v 60hz capacity
Integral circuit breaker in a variety of amp ratings

| |
|--------------------|
| 1 amp/120 watts |
| 3 amps/360 watts |
| 5 amps/600 watts |
| 8 amps/960 watts |
| 10 amps/1200 watts |

Amerlux recommends loading to not more than 80% of capacity to eliminate nuisance tripping

5 year limited
warranty
AMERLUX LED

(see website for details)

ORDERING INFORMATION:

| Model | Finish | Amp Rating | |
|---|---|-------------------------------------|-----------|
| | | Circuit 1 | Circuit 2 |
| ACL-TEK11 - current limiting device with live end (left) feed | 1 - silver gray w/black circuit breaker 2 - black w/black circuit breaker 3 - white w/white circuit breaker | <u>Standard Breakers</u> | |
| ACL-TEK12 - current limiting device with live end (right) feed | | 1A | 1A |
| | | 3A | 3A |
| | | 5A | 5A |
| | | 8A | 8A |
| | | 10A | 10A |
| ACL-REM-120 - current limiting device, remote mounted, 120v (not Title 24 CEC listed) | | <u>Special Order (Non-standard)</u> | |
| ACL-TEK11-SUS - current limiting device w/live end (left) feed, suspended with track | | 0.5A | 0.5A |
| ACL-TEK12-SUS - current limiting device w/live end (right) feed, suspended with track | | 1.5A | 1.5A |
| | | 2A | 2A |
| | | 2.5A | 2.5A |
| | | 4A | 4A |
| | | 6A | 6A |
| | | 7A | 7A |
| | | 9A | 9A |

Note: Non-standard breaker size requires additional lead times, consult factory.

Example: ACL-TEK11-3-5A-5A

Cat #:

Amerlux reserves the right to change details that do not affect overall function and performance.

CURRENT LIMITING DEVICE

GLOBAL TRACK 2 CIRCUIT/2 NEUTRAL, 120V

ACL-TEK
2C/2N, 120V



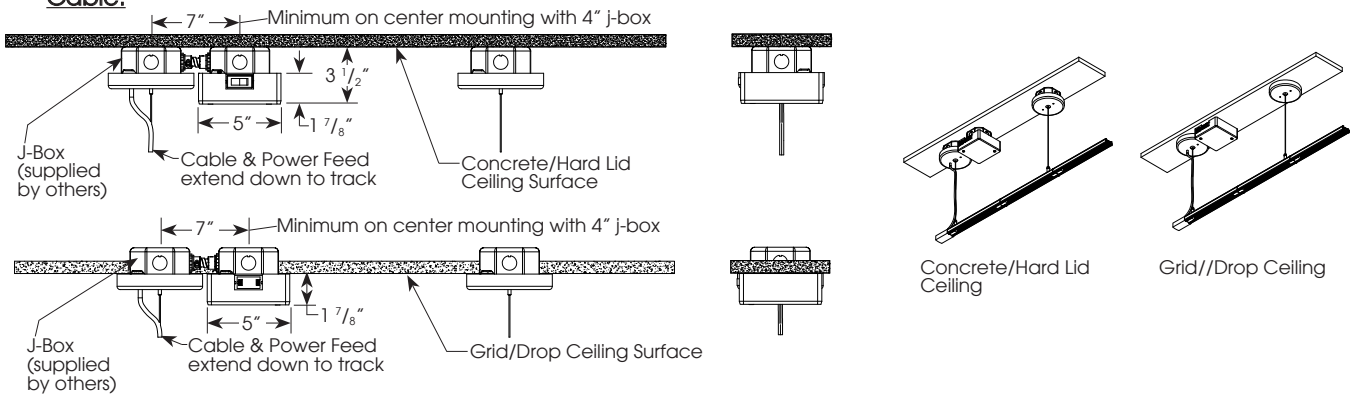
TYPE:



MOUNTING OPTIONS:

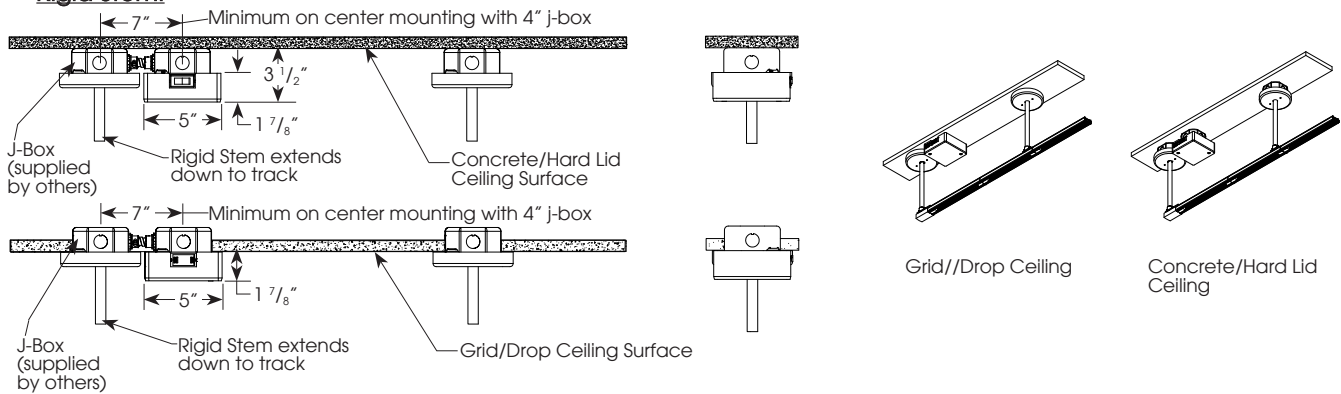
Remote Options:

Cable:



Note: Metal J-Box Canopies and A/C Cable Kits sold separately, consult factory.

Rigid Stem:



Note: Metal J-Box Canopy/Stem Kits sold separately, consult factory.

Suspension Options:

