

Amerlux Current Limiting Device

1 Circuit or 2 Circuit Global Track, 120V or 277V



PROJECT:

TYPE:

Features

The Current Limiting Device from Amerlux limits the amount of electrical load placed on a run of track. The device has an integrated rocker-style circuit breaker switch with On/Off markings and an integral track connector that is keyed for polarity by order based on feed direction. Cover is molded of UL-approved polycarbonate and is color-matched for use with Global GES, TEK and HTEK track systems from Amerlux.

Product Overview

Type: Current Limiting
Circuit(s): 1 circuit or 2 circuit
Voltage: 120V or 277V



Certifications



Specifications

Electrical Data

Amps	Watts (120V)	Watts (277V)
1	120	277
3	360	831
5	600	1385
8	960	2077
10	1200	2770

Amerlux recommends loading to not more than 80% of capacity, to eliminate nuisance tripping.

Amerlux Current Limiting Device

1 Circuit or 2 Circuit Global Track, 120V or 277V



PROJECT:	TYPE:
-----------------	--------------

ACL-GES, 1 Circuit, 120V Ordering Information



1	Model	2	Finish
	ACL-GES11 current limiting device with live end (<i>left</i>) feed		1 silver gray with black circuit breaker
	ACL-GES12 current limiting device with live end (<i>right</i>) feed		2 black with black circuit breaker
	ACL-GES14 current limiting device with middle feed		3 white with white circuit breaker
	ACL-REM-120 current limiting device, remote mounted, 120V (<i>This option is not Title 24 CEC listed</i>)		
	ACL-GES11-SUS current limiting device with live end (<i>left</i>) feed, suspended with track		
	ACL-GES12-SUS current limiting device with live end (<i>right</i>) feed, suspended with track		
	ACL-GES14-SUS current limiting device with middle feed, suspended with track		

3	Amp Rating - Circuit Breaker 1	4	Amp Rating - Circuit Breaker 2																																										
	<table style="width: 100%; border-collapse: collapse;"> <tr> <td style="width: 50%;"><u>Standard Breakers</u></td> <td style="width: 50%;"><u>Special Order Breakers (non-standard*)</u></td> </tr> <tr> <td>1A</td> <td>0.5A</td> </tr> <tr> <td>3A</td> <td>1.5A</td> </tr> <tr> <td>5A</td> <td>2A</td> </tr> <tr> <td>8A</td> <td>2.5A</td> </tr> <tr> <td>10A</td> <td>4A</td> </tr> <tr> <td></td> <td>6A</td> </tr> <tr> <td></td> <td>7A</td> </tr> <tr> <td></td> <td>9A</td> </tr> <tr> <td></td> <td colspan="2" style="text-align: center; font-size: small;">* Non-standard breaker sizes require additional lead times, consult factory.</td> </tr> </table>	<u>Standard Breakers</u>	<u>Special Order Breakers (non-standard*)</u>	1A	0.5A	3A	1.5A	5A	2A	8A	2.5A	10A	4A		6A		7A		9A		* Non-standard breaker sizes require additional lead times, consult factory.			<p><i>(For use with ACL-GES14, ACL-REM-120 & ACL-GES14-SUS only)</i></p> <table style="width: 100%; border-collapse: collapse;"> <tr> <td style="width: 50%;"><u>Standard Breakers</u></td> <td style="width: 50%;"><u>Special Order Breakers (non-standard*)</u></td> </tr> <tr> <td>1A</td> <td>0.5A</td> </tr> <tr> <td>3A</td> <td>1.5A</td> </tr> <tr> <td>5A</td> <td>2A</td> </tr> <tr> <td>8A</td> <td>2.5A</td> </tr> <tr> <td>10A</td> <td>4A</td> </tr> <tr> <td></td> <td>6A</td> </tr> <tr> <td></td> <td>7A</td> </tr> <tr> <td></td> <td>9A</td> </tr> <tr> <td></td> <td colspan="2" style="text-align: center; font-size: small;">* Non-standard breaker sizes require additional lead times, consult factory.</td> </tr> </table>	<u>Standard Breakers</u>	<u>Special Order Breakers (non-standard*)</u>	1A	0.5A	3A	1.5A	5A	2A	8A	2.5A	10A	4A		6A		7A		9A		* Non-standard breaker sizes require additional lead times, consult factory.	
<u>Standard Breakers</u>	<u>Special Order Breakers (non-standard*)</u>																																												
1A	0.5A																																												
3A	1.5A																																												
5A	2A																																												
8A	2.5A																																												
10A	4A																																												
	6A																																												
	7A																																												
	9A																																												
	* Non-standard breaker sizes require additional lead times, consult factory.																																												
<u>Standard Breakers</u>	<u>Special Order Breakers (non-standard*)</u>																																												
1A	0.5A																																												
3A	1.5A																																												
5A	2A																																												
8A	2.5A																																												
10A	4A																																												
	6A																																												
	7A																																												
	9A																																												
	* Non-standard breaker sizes require additional lead times, consult factory.																																												

*Note: For ACL-TEK ordering, see pg 3.
For ACL-HTEK ordering, see pg 4.*

Amerlux Current Limiting Device

1 Circuit or 2 Circuit Global Track, 120V or 277V



PROJECT:	TYPE:
-----------------	--------------

ACL-TEK, 2 Circuit/2 Neutral, 120V Ordering Information



1 Model	2 Finish
ACL-TEK11 current limiting device with live end (<i>left</i>) feed	1 silver gray with black circuit breaker
ACL-TEK12 current limiting device with live end (<i>right</i>) feed	2 black with black circuit breaker
ACL-REM-120 current limiting device, remote mounted, 120V (<i>This option is not Title 24 CEC listed</i>)	3 white with white circuit breaker
ACL-TEK11-SUS current limiting device with live end (<i>left</i>) feed, suspended with track	
ACL-TEK12-SUS current limiting device with live end (<i>right</i>) feed, suspended with track	

3 Amp Rating - Circuit Breaker 1	4 Amp Rating - Circuit Breaker 2																																				
<table style="width: 100%; border-collapse: collapse;"> <thead> <tr> <th style="text-decoration: underline;">Standard Breakers</th> <th style="text-decoration: underline;">Special Order Breakers (<i>non-standard*</i>)</th> </tr> </thead> <tbody> <tr><td>1A</td><td>0.5A</td></tr> <tr><td>3A</td><td>1.5A</td></tr> <tr><td>5A</td><td>2A</td></tr> <tr><td>8A</td><td>2.5A</td></tr> <tr><td>10A</td><td>4A</td></tr> <tr><td></td><td>6A</td></tr> <tr><td></td><td>7A</td></tr> <tr><td></td><td>9A</td></tr> </tbody> </table> <p style="font-size: small; margin-top: 5px;">* <i>Non-standard breaker sizes require additional lead times, consult factory.</i></p>	Standard Breakers	Special Order Breakers (<i>non-standard*</i>)	1A	0.5A	3A	1.5A	5A	2A	8A	2.5A	10A	4A		6A		7A		9A	<p style="font-size: small; margin-top: 0;">(<i>For use with ACL-GES14, ACL-REM-120 & ACL-GES14-SUS only</i>)</p> <table style="width: 100%; border-collapse: collapse;"> <thead> <tr> <th style="text-decoration: underline;">Standard Breakers</th> <th style="text-decoration: underline;">Special Order Breakers (<i>non-standard*</i>)</th> </tr> </thead> <tbody> <tr><td>1A</td><td>0.5A</td></tr> <tr><td>3A</td><td>1.5A</td></tr> <tr><td>5A</td><td>2A</td></tr> <tr><td>8A</td><td>2.5A</td></tr> <tr><td>10A</td><td>4A</td></tr> <tr><td></td><td>6A</td></tr> <tr><td></td><td>7A</td></tr> <tr><td></td><td>9A</td></tr> </tbody> </table> <p style="font-size: small; margin-top: 5px;">* <i>Non-standard breaker sizes require additional lead times, consult factory.</i></p>	Standard Breakers	Special Order Breakers (<i>non-standard*</i>)	1A	0.5A	3A	1.5A	5A	2A	8A	2.5A	10A	4A		6A		7A		9A
Standard Breakers	Special Order Breakers (<i>non-standard*</i>)																																				
1A	0.5A																																				
3A	1.5A																																				
5A	2A																																				
8A	2.5A																																				
10A	4A																																				
	6A																																				
	7A																																				
	9A																																				
Standard Breakers	Special Order Breakers (<i>non-standard*</i>)																																				
1A	0.5A																																				
3A	1.5A																																				
5A	2A																																				
8A	2.5A																																				
10A	4A																																				
	6A																																				
	7A																																				
	9A																																				

*Note: For ACL-GES ordering, see pg 2.
For ACL-HTEK ordering, see pg 4.*

Amerlux Current Limiting Device

1 Circuit or 2 Circuit Global Track, 120V or 277V



PROJECT:	TYPE:
-----------------	--------------

ACL-HTEK, 2 Circuit/2 Neutral, 277V Ordering Information



1 Model	2 Finish
ACL-HTEK11 current limiting device with live end (<i>left</i>) feed	1 silver gray with black circuit breaker
ACL-HTEK12 current limiting device with live end (<i>right</i>) feed	2 black with black circuit breaker
ACL-REM-277 current limiting device, remote mounted, 277V (<i>This option is not Title 24 CEC listed</i>)	3 white with white circuit breaker
ACL-HTEK11-SUS current limiting device with live end (<i>left</i>) feed, suspended with track	
ACL-HTEK12-SUS current limiting device with live end (<i>right</i>) feed, suspended with track	

3 Amp Rating - Circuit Breaker 1	4 Amp Rating - Circuit Breaker 2																																				
<table style="width: 100%; border-collapse: collapse;"> <thead> <tr> <th style="width: 50%; padding: 2px;">Standard Breakers</th> <th style="width: 50%; padding: 2px;">Special Order Breakers (<i>non-standard*</i>)</th> </tr> </thead> <tr> <td style="padding: 2px;">1A</td> <td style="padding: 2px;">0.5A</td> </tr> <tr> <td style="padding: 2px;">3A</td> <td style="padding: 2px;">1.5A</td> </tr> <tr> <td style="padding: 2px;">5A</td> <td style="padding: 2px;">2A</td> </tr> <tr> <td style="padding: 2px;">8A</td> <td style="padding: 2px;">2.5A</td> </tr> <tr> <td style="padding: 2px;">10A</td> <td style="padding: 2px;">4A</td> </tr> <tr> <td></td> <td style="padding: 2px;">6A</td> </tr> <tr> <td></td> <td style="padding: 2px;">7A</td> </tr> <tr> <td></td> <td style="padding: 2px;">9A</td> </tr> </table> <p style="font-size: small; margin-top: 5px;">* <i>Non-standard breaker sizes require additional lead times, consult factory.</i></p>	Standard Breakers	Special Order Breakers (<i>non-standard*</i>)	1A	0.5A	3A	1.5A	5A	2A	8A	2.5A	10A	4A		6A		7A		9A	<p style="font-size: small; margin-bottom: 5px;"><i>(For use with ACL-GES14, ACL-REM-120 & ACL-GES14-SUS only)</i></p> <table style="width: 100%; border-collapse: collapse;"> <thead> <tr> <th style="width: 50%; padding: 2px;">Standard Breakers</th> <th style="width: 50%; padding: 2px;">Special Order Breakers (<i>non-standard*</i>)</th> </tr> </thead> <tr> <td style="padding: 2px;">1A</td> <td style="padding: 2px;">0.5A</td> </tr> <tr> <td style="padding: 2px;">3A</td> <td style="padding: 2px;">1.5A</td> </tr> <tr> <td style="padding: 2px;">5A</td> <td style="padding: 2px;">2A</td> </tr> <tr> <td style="padding: 2px;">8A</td> <td style="padding: 2px;">2.5A</td> </tr> <tr> <td style="padding: 2px;">10A</td> <td style="padding: 2px;">4A</td> </tr> <tr> <td></td> <td style="padding: 2px;">6A</td> </tr> <tr> <td></td> <td style="padding: 2px;">7A</td> </tr> <tr> <td></td> <td style="padding: 2px;">9A</td> </tr> </table> <p style="font-size: small; margin-top: 5px;">* <i>Non-standard breaker sizes require additional lead times, consult factory.</i></p>	Standard Breakers	Special Order Breakers (<i>non-standard*</i>)	1A	0.5A	3A	1.5A	5A	2A	8A	2.5A	10A	4A		6A		7A		9A
Standard Breakers	Special Order Breakers (<i>non-standard*</i>)																																				
1A	0.5A																																				
3A	1.5A																																				
5A	2A																																				
8A	2.5A																																				
10A	4A																																				
	6A																																				
	7A																																				
	9A																																				
Standard Breakers	Special Order Breakers (<i>non-standard*</i>)																																				
1A	0.5A																																				
3A	1.5A																																				
5A	2A																																				
8A	2.5A																																				
10A	4A																																				
	6A																																				
	7A																																				
	9A																																				

*Note: For ACL-GES ordering, see pg 2.
For ACL-TEK ordering, see pg 3.*

Amerlux Current Limiting Device

1 Circuit or 2 Circuit Global Track, 120V or 277V



PROJECT:

TYPE:

Specifications

Application

Limits the amount of electrical load placed on a run of single or 2 circuit track to meet Energy Code restrictions

Construction

Cover: Molded UL approved polycarbonate, color-matched to track components

Mounting Plate: Stamped steel 16 ga. zinc plated integral track connector is keyed for polarity by order based on feed direction.

Circuit Breaker: Integrated rocker style circuit breaker features ON/OFF markings

Snap-in circuit breaker contains screw terminals for 12 ga. copper conductors.

Electrical

120V or 277V, 60hz capacity

Integrated circuit breaker in a variety of amp ratings

Finish

Black, white or gray

Mounting

Surface mounts directly to a 4" octagonal j-box.

Compatible with Global GES 1 circuit 120V, TEK 2 circuit/2 neutral 120V, or HTEK 2 circuit/2 neutral 277V track systems.

Remote and suspension mounting options (*see pg 7*).

Certifications

cUL listed

Title 24 CEC listed (*excluding the ACL-REM-xxx model*)

Amerlux Current Limiting Device

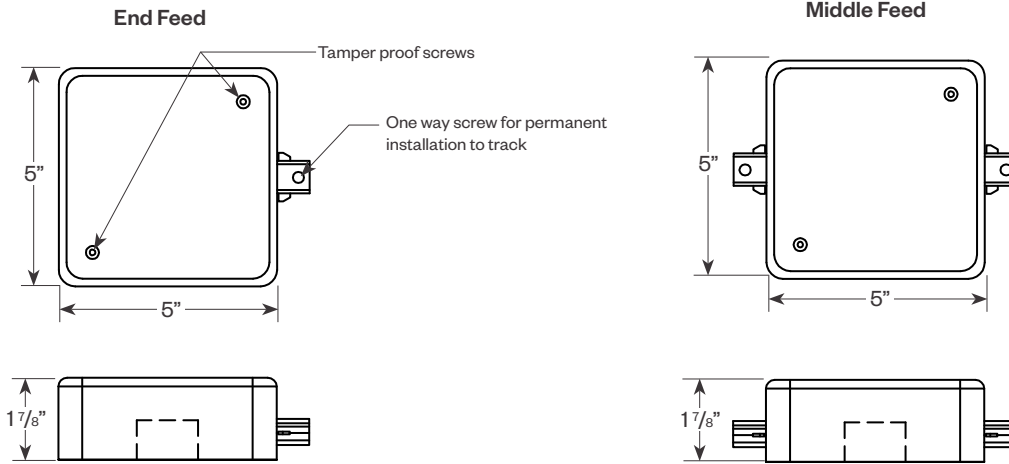
1 Circuit or 2 Circuit Global Track, 120V or 277V



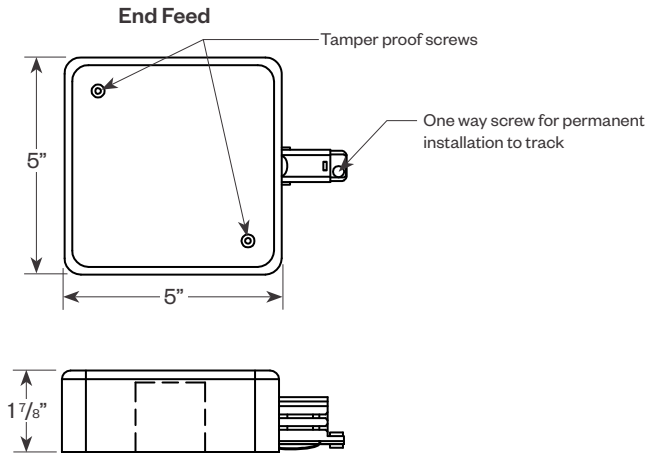
PROJECT:

TYPE:

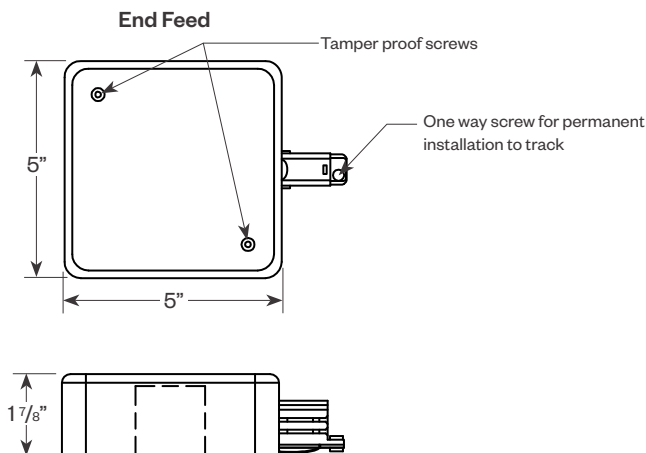
Product Details - ACL-GES (1 circuit, 120V)



Product Details - ACL-TEK (2 circuit/2 neutral, 120V)



Product Details - ACL-HTEK (2 circuit/2 neutral, 277V)



Amerlux Current Limiting Device

1 Circuit or 2 Circuit Global Track, 120V or 277V



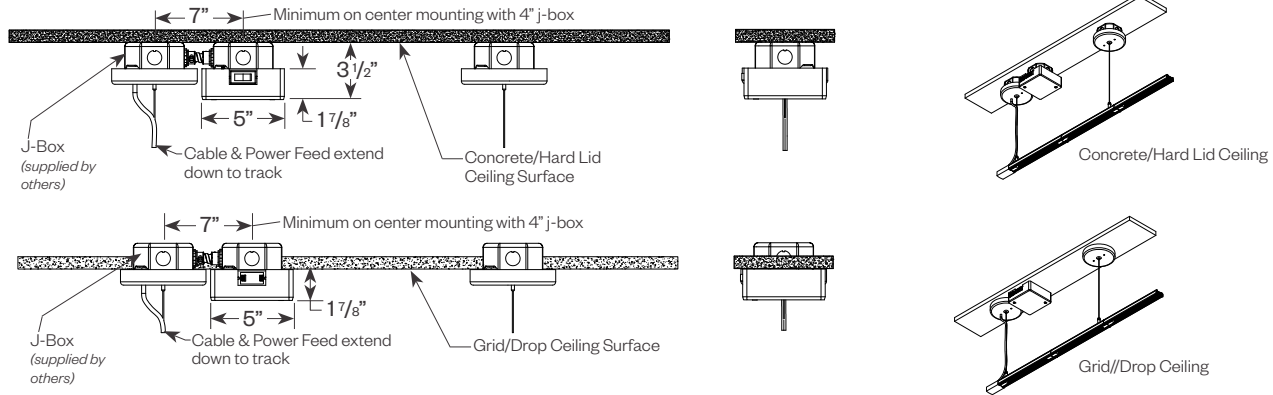
PROJECT:

TYPE:

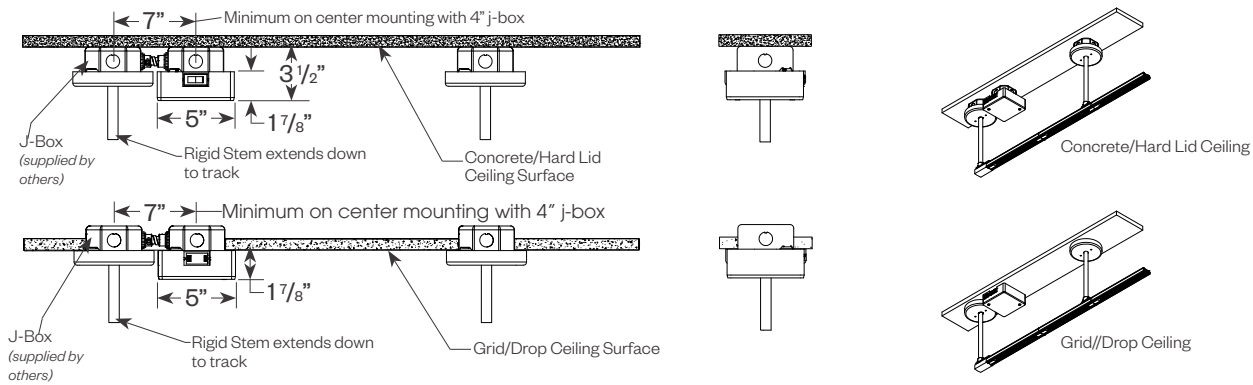
Mounting Options

Remote Options:

Cable:



Rigid Stem:



Suspension Options:

