

Amerlux Current Limiting Device



Features

The Current Limiting Device from Amerlux limits the amount of electrical load placed on a run of track. The device has an integrated rocker-style circuit breaker switch with On/Off markings and an integral track connector that is keyed for polarity by order based on feed direction. Cover is molded of UL-approved polycarbonate and is color-matched for use with Global GES, TEK and HTEK track systems from Amerlux.

Product Overview

Type: Current Limiting
 Circuit(s): 1 circuit or 2 circuits
 Voltage: 120V or 277V



End Feed

PROJECT:

TYPE:



Middle Feed

Electrical Data

120V or 277V, 60hz capacity
 Integral circuit breaker in a variety of amp ratings

Amps	Watts (120V)	Watts (277V)
1	120	277
3	360	831
5	600	1385
8	960	2077
10	1200	2770

Amerlux recommends loading to not more than 80% of capacity to eliminate nuisance tripping.



Amerlux Current Limiting Device

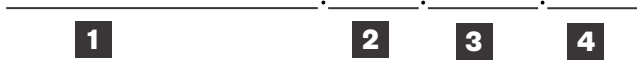
1 Circuit or 2 Circuit Global Track, 120V or 277V



PROJECT:

TYPE:

ACL-GES, 1 Circuit, 120V Ordering Information



- 1** Model
ACL-GES11 - current limiting device with live end (left) feed
ACL-GES12 - current limiting device with live end (right) feed
ACL-GES14 - current limiting device with middle feed
ACL-REM-120 - current limiting device, remote mounted, 120V (**This option is not Title 24 CEC listed**)
ACL-GES11-SUS - current limiting device with live end (left) feed, suspended with track
ACL-GES12-SUS - current limiting device with live end (right) feed, suspended with track
ACL-GES14-SUS - current limiting device with middle feed, suspended with track

- 2** Finish
1 - silver gray with black circuit breaker
2 - black with black circuit breaker
3 - white with white circuit breaker

- 3** Amp Rating - Circuit Breaker 1
Standard Breakers
1A
3A
5A
8A
10A

Special Order Breakers (non-standard*)
0.5A
1.5A
2A
2.5A
4A
6A
7A
9A

*Non-standard breaker size requires additional lead times, consult factory

- 4** Amp Rating - Circuit Breaker 2 (for use with ACL-GES14, ACL-REM-120 & ACL-GES14-SUS only)
Standard Breakers
1A
3A
5A
8A
10A

- Special Order Breakers (non-standard*)
0.5A
1.5A
2A
2.5A
4A
6A
7A
9A

*Non-standard breaker size requires additional lead times, consult factory

Amerlux Current Limiting Device

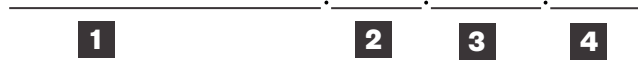
1 Circuit or 2 Circuit Global Track, 120V or 277V



PROJECT:

TYPE:

ACL-TEK, 2 Circuit/2 Neutral, 120V Ordering Information



- 1** Model
ACL-TEK11 - current limiting device with live end (left) feed
ACL-TEK12 - current limiting device with live end (right) feed
ACL-REM-120 - current limiting device, remote mounted, 120V (**This option is not Title 24 CEC listed**)
ACL-TEK11-SUS - current limiting device with live end (left) feed, suspended with track
ACL-TEK12-SUS - current limiting device with live end (right) feed, suspended with track

- 2** Finish
1 - silver gray with black circuit breaker
2 - black with black circuit breaker
3 - white with white circuit breaker

- 3** Amp Rating - Circuit Breaker 1
Standard Breakers
1A
3A
5A
8A
10A

Special Order Breakers (non-standard*)

- 0.5A
- 1.5A
- 2A
- 2.5A
- 4A
- 6A
- 7A
- 9A

*Non-standard breaker size requires additional lead times, consult factory

- 4** Amp Rating - Circuit Breaker 2
Standard Breakers

- 1A
- 3A
- 5A
- 8A
- 10A

Special Order Breakers (non-standard*)

- 0.5A
- 1.5A
- 2A
- 2.5A
- 4A
- 6A
- 7A
- 9A

*Non-standard breaker size requires additional lead times, consult factory

Amerlux Current Limiting Device

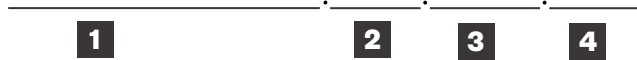
1 Circuit or 2 Circuit Global Track, 120V or 277V



PROJECT:

TYPE:

ACL-HTEK, 2 Circuit/2 Neutral, 277V Ordering Information



1 Model

- ACL-HTEK11** - current limiting device with live end (left) feed
- ACL-HTEK12** - current limiting device with live end (right) feed
- ACL-REM-277** - current limiting device, remote mounted, 277V (**This option is not Title 24 CEC listed**)
- ACL-HTEK11-SUS** - current limiting device with live end (left) feed, suspended with track
- ACL-HTEK12-SUS** - current limiting device with live end (right) feed, suspended with track

2 Finish

- 1 - silver gray with black circuit breaker
- 2 - black with black circuit breaker
- 3 - white with white circuit breaker

3 Amp Rating - Circuit Breaker 1

Standard Breakers

- 1A
- 3A
- 5A
- 8A
- 10A

Special Order Breakers (non-standard*)

- 0.5A
- 1.5A
- 2A
- 2.5A
- 4A
- 6A
- 7A
- 9A

*Non-standard breaker size requires additional lead times, consult factory

4 Amp Rating - Circuit Breaker 2

Standard Breakers

- 1A
- 3A
- 5A
- 8A
- 10A

Special Order Breakers (non-standard*)

- 0.5A
- 1.5A
- 2A
- 2.5A
- 4A
- 6A
- 7A
- 9A

*Non-standard breaker size requires additional lead times, consult factory

Amerlux Current Limiting Device

1 Circuit or 2 Circuit Global Track, 120V or 277V



PROJECT:

TYPE:

Specifications

Application

Limits the amount of electrical load placed on a run of single or 2 circuit track to meet Energy Code restrictions

Construction

Cover: Molded UL approved polycarbonate, color-matched to track components

Mounting Plate: Stamped steel 16 ga. zinc plated integral track connector is keyed for polarity by order based on feed direction.

Circuit Breaker: Integrated rocker style circuit breaker features ON/OFF markings

Snap-in circuit breaker contains screw terminals for 12 ga. copper conductors.

Electrical

120V or 277V, 60hz capacity

Integrated circuit breaker in a variety of amp ratings

Finish

Black, white or gray

Mounting

Surface mounts directly to a 4" octagonal j-box.

Compatible with Global GES 1 circuit 120V, TEK 2 circuit/2 neutral 120V, or HTEK 2 circuit/2 neutral 277V track systems.

Remote and suspension mounting options (see pg 7).

Certifications

cUL listed

Title 24 OEC listed (**excluding the ACL-REM-xxx model**)

Amerlux Current Limiting Device

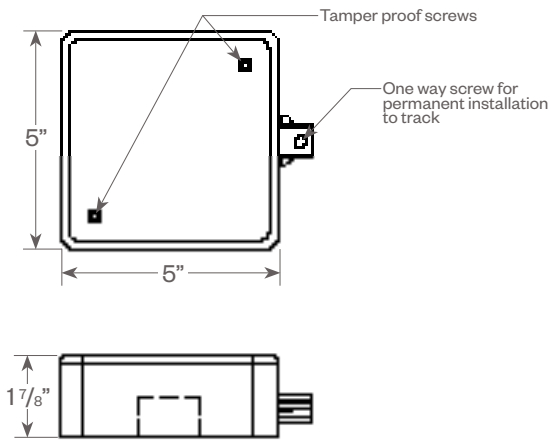
1 Circuit or 2 Circuit Global Track, 120V or 277V



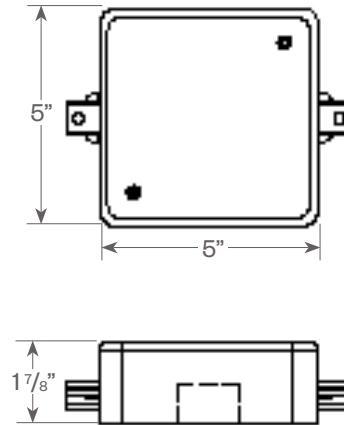
PROJECT:

TYPE:

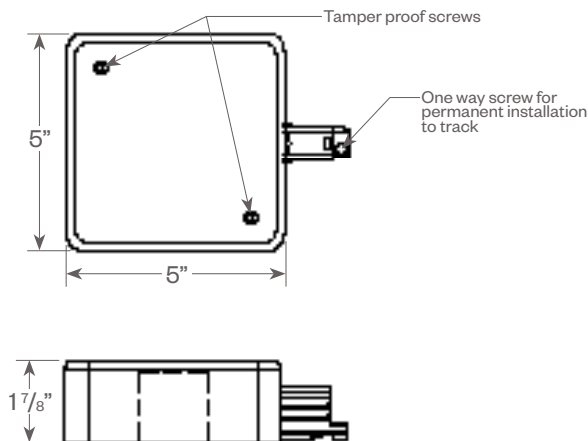
ACL-GES (1 cir, 120V) End Feed



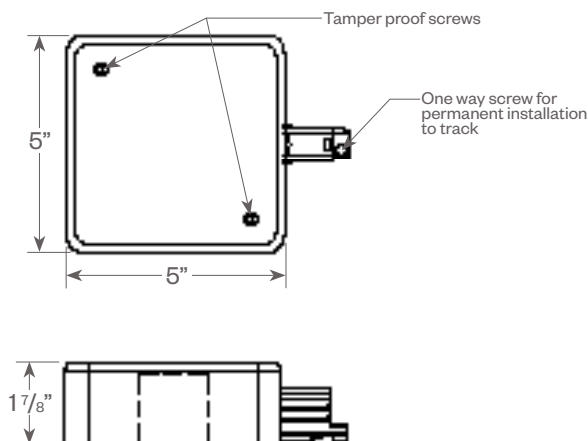
ACL-GES (1 cir, 120V) Middle Feed



ACL-TEK (2 cir/2 neu, 120V) End Feed



ACL-HTEK (2 cir/2 neu, 277V) End Feed



Amerlux Current Limiting Device

1 Circuit or 2 Circuit Global Track, 120V or 277V



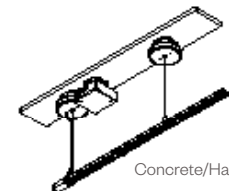
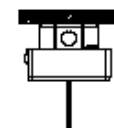
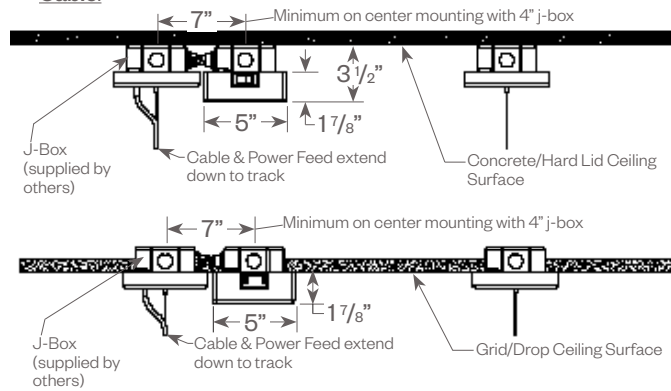
PROJECT:

TYPE:

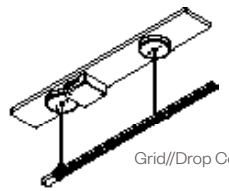
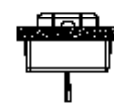
MOUNTING OPTIONS:

Remote Options:

Cable:

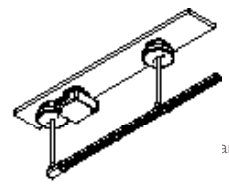
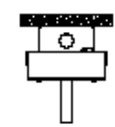
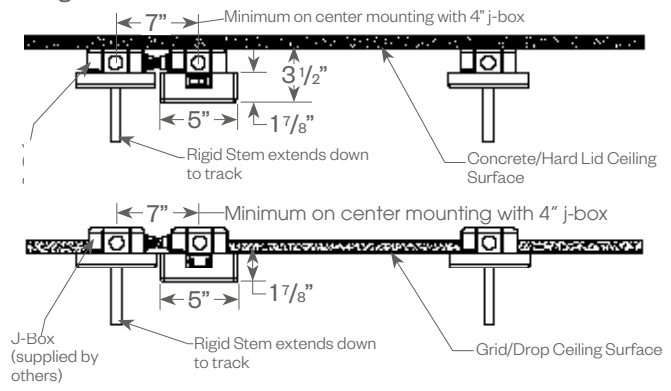


Concrete/Hard Lid Ceiling

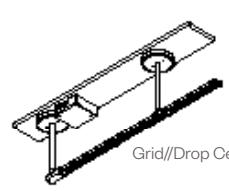
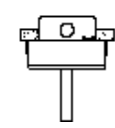


Grid//Drop Ceiling

Rigid Stem:

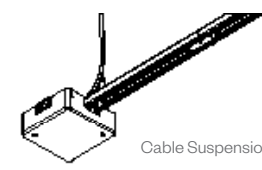
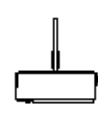
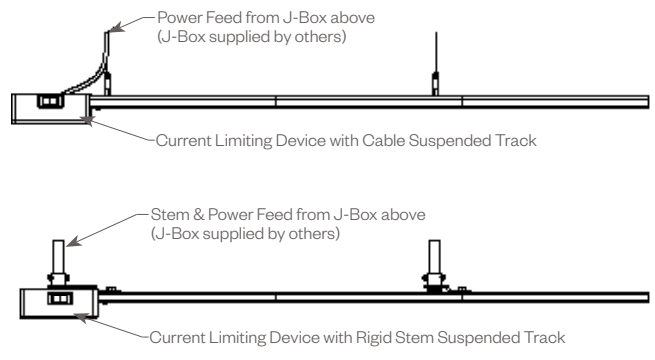


Hard Lid Ceiling

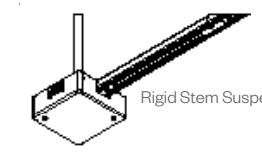


Grid//Drop Ceiling

Suspension Options:



Cable Suspension



Rigid Stem Suspension