

SPEQ-M Kicker Wall Wash Track Head



Features

Bring attention, reveal rich textures and bring out the truest colors on wall mounted artwork and merchandise with the architecturally styled SPEQ Kicker Wall Wash. Ideal for murals, galleries and commercial lobby applications, the newest addition to the SPEQ architectural track head family complements its clean aesthetic and provides dramatic wall washing down walls with a uniform look. The fixture features a cut front snoot and kick optics, has no visible heat sink or venting, and the integral driver is fully featured, with low-end dimming and full 2.5 KV surge protection. For the perfect blend of exceptional aesthetics, optical performance and superior output, look no further than Amerlux's expanding SPEQ family.

Product Overview

Type:	Track Wall Wash
Wattage:	21W, 26W
Lumen Output:	1193 lm (26W), 962 lm (21W)
Color Temp:	2200, 2700K, 3000K, 3500K, 4000K
CRI:	83 typ. & 90+ typ. CrispWhite & 3K Class A LED's available
Dimming:	TRIAC & ELV (120V) - 5% Dim

PROJECT:

TYPE:

Fixture Summary *(see following pages for more information)*

Performance Chart

Nominal Watts	Delivered Lumens	LPW	Color Temp	CRI
21	962	47.8	3000K	83
26	1193	45.9	3000K	83

Data is based on 3000K, 83CRI IES files available on website.

Electrical Data

	21W		26W	
	System Watts	Amps	System Watts	Amps
120V	21.4	0.18	26	0.22
277V	21.8	0.08	26	0.09

Electronic constant current LED driver



SPEQ-M Kicker Wall Wash

Track Head



PROJECT:

TYPE:

Ordering Information

SPEQ-M-KWW

- 1** **2** **3** **4** **5** **6** **7**

1 Model
SPEQ-M-KWW

2 Wattage
21
26

3 Finish
WT - white texture
BT - black texture
ST - silver texture
Other finishes, consult factory

4 Mounting
TN1 - Global GES 1cir/H-Style, 120V
TEK - Global TEK 2cir/2neut, 120V
TN3 - Global XTS 3cir, 120V
TN2 - Global HTEK 2cir/2neut, 277V
CT - J-Style, 120V
LOL - L-Style 1cir, 120V
B* - busway, 120V/277V
C - canopy, 120V/277V
CCL2-SCP - C-clamp, black, with straight cord**, 6', 120V
CCL2-CCP - C-clamp, black, with coil cord**, 5', 120V
Notes: *Black busway adapter used for ST finish
**Black cord used for BT & ST finish,
White cord used for WT finish

5 Voltage
120
277 (not available with LE/TE dimming driver)

6 Color Temp
83 CRI: 90+ CRI:
27 - 2700K-83 229 - 2200K-90+ CRISP - CrispWhite
30 - 3000K-83 279 - 2700K-90+ 3CLA - 3K Class A
35 - 3500K-83 309 - 3000K-90+
40 - 4000K-83 359 - 3500K-90+
409 - 4000K-90+

7 Driver
LE/TE - TRIAC/ELV dimming, 120V only
ND - non-dimming, 277V only

SPEQ-M Kicker Wall Wash

Track Head



PROJECT:

TYPE:

Specifications

Application

Retail, Museum, Gallery, Hospitality and Commercial wall wash lighting

Construction

Complete die-cast aluminum construction
No exposed wiring
Unique magnetic dual lock front door

Optical

Patented Amerlux designed TIR optical system.
0-90° lockable tilt, 360° rotation
Tilt indicating marks for common tilt positioning
Kicker Wall Wash optics

LED

Color Temp Options:
2200K, 2700K, 3000K, 3500K, 4000K
CRI: 83 typ. (2700K, 3000K, 3500K, 4000K)
90+ typ. (2200K, 2700K, 3000K, 3500K, 4000K)
CrispWhite* and Class A** 3000K LEDs available
R9 Values: 11 (83 CRI), 55 (90+ CRI)
Binning: 3-step MacAdam ellipse (SDCM)
Life: 50,000+ hrs, > 70% of initial lumens at 50,000 hrs

**CrispWhite: CrispWhite Technology delivers the warmth of colors expected from a high 90 CRI solution but also creates the natural crisp white color similar to CMH sources. It creates impactful lighting by revealing the richest whites and vibrant colors that pop.*

***Class A LED: Class A LED's have a CRI > 80 and a GAI > 80. CRI defines color "Naturalness" and GAI defines color "Saturation." Both being high delivers rich colors and pure whites.*

Electrical

Wattage: 21, 26
Electronic constant current LED driver, 120VAC input only
Non-dimming driver, 277VAC only
This product complies with IEEE C62.41 for surge endurance up to 2.5KV. Amerlux® recommends using additional surge protection with this unit (supplied by others), surge and over voltage damage is not covered under warranty.

Driver

LE/TE - Leading Edge (Triac, Forward Phase) or Trailing Edge (ELV, Reverse Phase) autosensing driver dims down to 5% on most dimming systems. 120V only
ND - non-dimming, 277V only (21W & 26W only)
All drivers rated for A/C voltage input +/- 10%
See dimming pages for more information.

Finish

Powder coat paint.
Standard colors: White Texture, Black Texture, Silver Texture
Consult factory for custom RAL powder coat finishes

Mounting

Track, canopy, c-clamp and busway.

Note: Track fixture mounting recommended only to horizontal mounted track.

Certifications

Approved to UL standards as tested by CSA.
Intended for indoor use only.

Warranty

5 year limited warranty

SPEQ-M Kicker Wall Wash

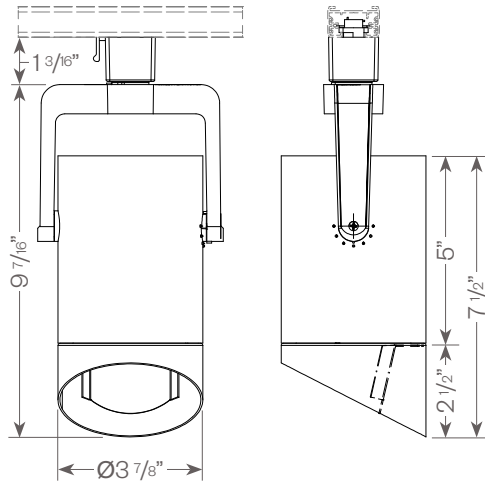
Track Head



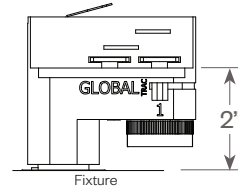
PROJECT:

TYPE:

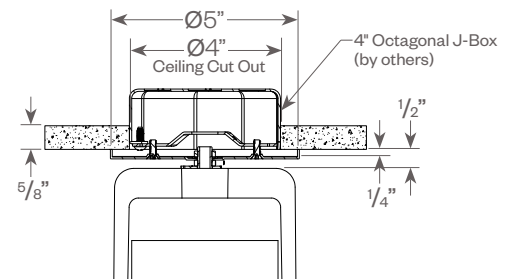
SPEQ-M KICKER WALL WASH (SPEQ-M-KWW)



TEK/TN3 Track Adapter



Canopy Mount



SPEQ-M Kicker Wall Wash

Track Head



PROJECT:

TYPE:

FIXTURE DATA: (Complete photometric data (.ies format) available upon request)

MULTIPLYING FACTORS: (Multiplying Factor is based on 3000K-83 120V IES file on website)

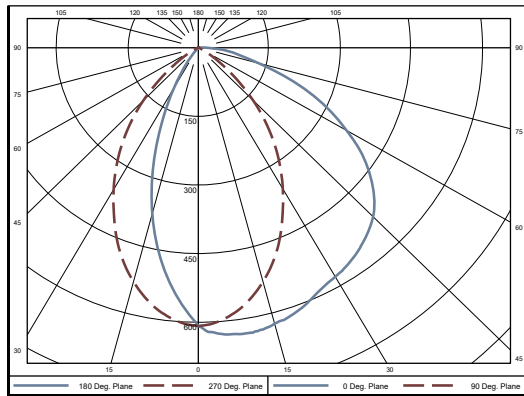
Wattage:	21W	26W
Factor:	1.0	1.24

CCT:	2700K-83	3000K-83	3500K-83	4000K-83
Factor:	0.96	1.0	1.02	1.04

CCT:	2200K-90+*	2700K-90+	3000K-90+	3500K-90+	4000K-90+	CRISP*	3CLA
Factor:	0.71	0.80	0.83	0.87	0.90	0.65	0.75

21W LED, 3000K KWW

Kicker Wall Wash
LTL # 14087258.02
Lumens: 962



ZONAL LUMEN SUMMARY

Zone	Lumens	%Fixt
0-40	574	59.7
0-60	852	88.6
0-90	958	99.6
90-180	4	0.4

Luminaire Efficacy: 47.8 lm/W

APPLICATION DATA:

Single Fixture
3' off wall

Distance from ceiling	0	1	1	2	6	6	2	1	1	0
0.5'	0	1	1	2	6	6	2	1	1	0
1.5'	1	1	3	15	48	48	15	3	1	1
2.5'	1	3	8	21	39	39	21	8	3	1
3.5'	2	4	8	15	22	22	15	8	4	2
4.5'	2	4	6	10	12	12	10	6	4	2
5.5'	2	3	5	6	8	8	6	5	3	2
6.5'	2	3	3	4	5	5	4	3	3	2
7.5'	2	2	3	3	4	4	3	3	2	2
8.5'	1	2	2	3	3	3	3	2	2	1

Multiple Fixtures
3' off wall; 2.5' oc

Distance from ceiling	4	6	14	7	10	10	7	14	7	10	10	7	14	7	10	10	7	14	6	4
0.5'	4	6	14	7	10	10	7	14	7	10	10	7	14	7	10	10	7	14	6	4
1.5'	10	34	65	48	58	58	49	67	49	58	58	49	67	49	58	58	48	65	34	10
2.5'	18	36	54	55	58	58	57	61	57	58	58	57	61	57	58	58	55	54	36	18
3.5'	17	25	34	38	40	41	41	42	41	41	41	41	42	41	41	40	38	34	25	17
4.5'	14	18	23	25	27	28	29	29	29	29	29	29	29	29	29	28	27	25	23	14
5.5'	12	14	16	18	19	20	21	21	21	21	21	21	21	21	21	20	19	18	16	12
6.5'	10	11	12	14	15	15	16	16	16	16	16	16	16	16	16	15	15	14	12	10
7.5'	8	9	10	11	12	12	13	13	13	13	13	13	13	13	13	13	12	12	11	10
8.5'	7	8	9	9	10	10	11	11	11	11	11	11	11	11	11	10	10	9	9	8

SPEQ-M Kicker Wall Wash

Track Head



PROJECT:

TYPE:

DIMMING COMPATIBILITY:

Amerlux® Spec fixtures are compatible with all major dimming protocols prevalent in the United States. Please see below for general compatibilities and wiring diagrams. Amerlux recommends testing your unique dimming configuration as the exact full configuration (Dimmer, Fixture Quantity, Voltage, etc) may affect dimming performance.

--- NOTE: INFORMATION BELOW IS FOR WIRED DIMMERS ONLY. FOR WIRELESS DIMMERS, CONSULT FACTORY ---

TRIAC (Forward Phase) DIMMING (Standard)

Utilizes standard TRIAC dimmers that are in wide use in installations across the US.

Notes:

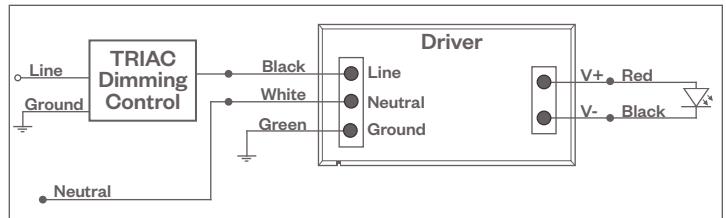
- 120VAC only
- Dims down to 5% light output (most cases)
- Consult Dimming manufacturer for installation instructions - DO NOT SHARE NEUTRALS!
- Must meet dimmer Minimum Load Requirements per dimming manufacturer

Compatible Dimmers:

Wall Box (TRIAC 120VAC)

Lutron "Diva"
Lutron "Nova-T"
Lutron "Maestro"
Lutron "Skylark"

TRIAC Wiring Diagram



ELV - Electronic Low Voltage (Reverse Phase) DIMMING (Standard)

Utilizes specialized "ELV" dimmers.

Notes:

- 120VAC only
- Dims down to 5% light output (most cases)
- Consult Dimming manufacturer for installation instructions - DO NOT SHARE NEUTRALS!
- Must meet dimmer Minimum Load Requirements per dimming manufacturer

Compatible Dimmers:

Wall Box (ELV 120VAC)

Lutron "Diva"	Leviton "Surslide"
Lutron "Nova-T"	Leviton "Vizio"
Lutron "Maestro"	
Lutron "Skylark"	

ELV Wiring Diagram

