

SPEQ-L Kicker Wall Wash Track Head



Features

Bring attention, reveal rich textures and bring out the truest colors on wall mounted artwork and merchandise with the architecturally styled SPEQ Kicker Wall Wash. Ideal for murals, galleries and commercial lobby applications, the newest addition to the SPEQ architectural track head family complements its clean aesthetic and provides dramatic wall washing down walls with a uniform look. The fixture features a cut front snoot and kick optics, has no visible heat sink or venting, and the integral driver is fully featured, with low-end dimming and full 2.5 KV surge protection. For the perfect blend of exceptional aesthetics, optical performance and superior output, look no further than Amerlux's expanding SPEQ family.

Product Overview

Type: Track Wall Wash
 Wattage: 33W, 41W, 48W
 Lumen Output: 2338 lm (48W), 2034 lm (41W), 1707 lm (33W)
 Color Temp: 2700K, 3000K, 3500K, 4000K
 CRI: 83 typ. & 90+ typ.
 CrispWhite & 3K Class A LED's available
 Dimming: TRIAC & ELV (120/277VAC) - 5% Dim

PROJECT:

TYPE:

Fixture Summary *(see following pages for more information)*

Performance Chart

Nominal Watts	Delivered Lumens	LPW	Color Temp	CRI
33	1707	51.7	3000K	83
41	2034	49.6	3000K	83
48	2338	49.4	3000K	83

Data is based on 3000K, 83CRI IES files available on website.

Electrical Data

	33W		41W		48W	
	System Watts	Amps	System Watts	Amps	System Watts	Amps
120V	33	0.28	41	0.34	48	0.40
277V	33	0.12	41	0.15	48	0.17

Electronic constant current LED driver



SPEQ-L Kicker Wall Wash

Track Head



PROJECT:

TYPE:

Ordering Information



1 Model
SPEQ-L-KWW

2 Wattage
33
41
48

3 Finish
WT - white texture
BT - black texture
ST - silver texture
Other finishes, consult factory

4 Mounting
TN1 - Global GES 1cir/H-Style, 120V
TEK - Global TEK 2cir/2neut, 120V
TN3 - Global XTS 3cir, 120V
TN2 - Global HTEK 2cir/2neut, 277V
CT - J-Style, 120V
LOL - L-Style 1cir, 120V
B* - busway, 120/277VAC
C - canopy, 120/277VAC
CCL2-SCP - C-clamp, black, with straight cord**, 6', 120V
CCL2-CCP - C-clamp, black, with coil cord**, 5', 120V
Notes: *Black busway adapter used for ST finish
**Black cord used for BT & ST finish,
White cord used for WT finish

5 Voltage
120
277

6 Color Temp
83 CRI: 90+ CRI:
27 - 2700K-83 279 - 2700K-90+ CRISP - CrispWhite
30 - 3000K-83 309 - 3000K-90+ 3CLA - 3K Class A
35 - 3500K-83 359 - 3500K-90+
40 - 4000K-83 409 - 4000K-90+

7 Driver
LE/TE - TRIAC/ELV dimming, 120/277VAC

SPEQ-L Kicker Wall Wash

Track Head



PROJECT:

TYPE:

Specifications

Application

Retail, Museum, Gallery, Hospitality and Commercial wall wash lighting

Construction

Complete die-cast aluminum construction
No exposed wiring
Unique magnetic dual lock front door

Optical

Amerlux designed Reflector optical system.
0-90° lockable tilt, 360° rotation
Tilt indicating marks for common tilt positioning
Kicker Wall Wash optics

LED

Color Temp Options:

2700K, 3000K, 3500K, 4000K

CRI: 83 typ. (2700K, 3000K, 3500K, 4000K)

90+ typ. (2700K, 3000K, 3500K, 4000K)

CrispWhite* and Class A** 3000K LEDs available

R9 Values: 11 (83 CRI), 55 (90+ CRI)

Binning: 3-step MacAdam ellipse (SDCM)

Life: 50,000+ hrs, > 70% of initial lumens at 50,000 hrs

**CrispWhite: CrispWhite Technology delivers the warmth of colors expected from a high 90 CRI solution but also creates the natural crisp white color similar to CMH sources. It creates impactful lighting by revealing the richest whites and vibrant colors that pop.*

***Class A LED: Class A LED's have a CRI > 80 and a GAI > 80. CRI defines color "Naturalness" and GAI defines color "Saturation." Both being high delivers rich colors and pure whites.*

Electrical

Wattage: 33, 41, 48

Electronic constant current LED driver, 120/277VAC input

This product complies with IEEE C62.41 for surge endurance up to 2.5KV. Amerlux® recommends using additional surge protection with this unit (supplied by others), surge and over voltage damage is not covered under warranty.

Driver

LE/TE - Leading Edge (Triac, Forward Phase) or Trailing Edge (ELV, Reverse Phase) autosensing driver dims down to 5% on most dimming systems.

See dimming pages for more information.

Finish

Powder coat paint.

Standard colors: White Texture, Black Texture, Silver Texture

Consult factory for custom RAL powder coat finishes

Mounting

Track, canopy, c-clamp and busway.

Note: Track fixture mounting recommended only to horizontal mounted track.

Certifications

Approved to UL standards as tested by CSA.

Intended for indoor use only.

Warranty

5 year limited warranty

SPEQ-L Kicker Wall Wash

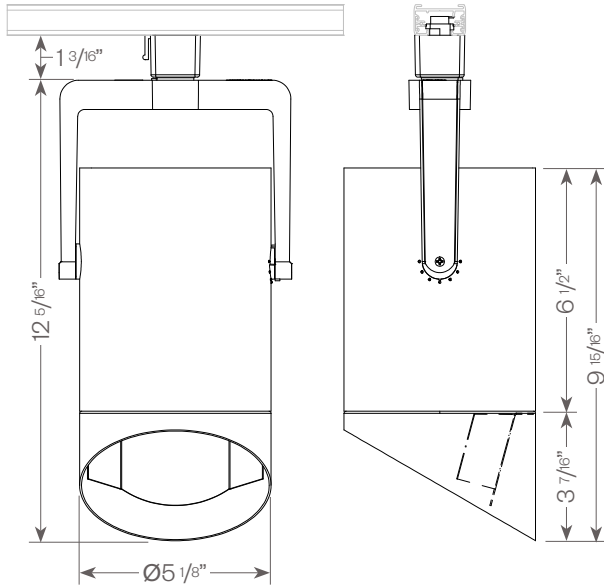
Track Head



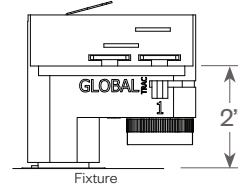
PROJECT:

TYPE:

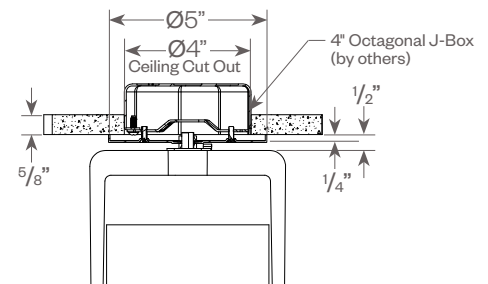
SPEQ-L KICKER WALL WASH (SPEQ-L-KWW)



TEK/TN3 Track Adapter



Canopy Mount



SPEQ-L Kicker Wall Wash Track Head

SPEQ-L Kicker Wall Wash

Track Head



SPEQ-L Kicker Wall Wash Track Head

PROJECT:

TYPE:

FIXTURE DATA: (Complete photometric data (.ies format) available upon request)

MULTIPLYING FACTORS: (Multiplying Factor is based on 3000K-83 120V IES file on website)

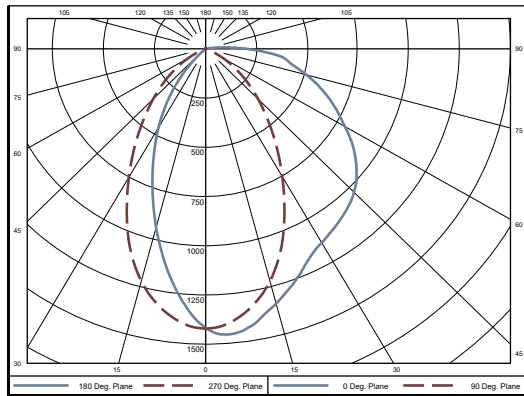
Wattage:	33W	41W	48W
Factor:	0.73	0.87	1.0

CCT:	2700K-83	3000K-83	3500K-83	4000K-83
Factor:	0.96	1.0	1.02	1.04

CCT:	2200K-90+	2700K-90+	3000K-90+	3500K-90+	CRISP	3CLA
Factor:	0.71	0.80	0.83	0.87	0.65	0.75

48W LED, 3000K KWW

Kicker Wall Wash
LTL # 14087258.03
Lumens: 2338



ZONAL LUMEN SUMMARY

Zone	Lumens	%Fixt
0-40	1288	55.1
0-60	1921	82.2
0-90	2318	99.1
90-180	20	0.9

Luminaire Efficacy: 494 lm/W

APPLICATION DATA:

Single Fixture 4' off wall

Distance from ceiling	0.5'	1'	1.5'	2'	2.5'	3'	3.5'	4'	4.5'	5'	5.5'	6'	6.5'	7'	7.5'	8'
0.5'	1	1	2	5	12	26	26	12	5	2	1	1				
1.5'	2	3	5	13	31	53	53	31	13	5	3	2				
2.5'	3	5	9	18	35	51	51	35	18	9	5	3				
3.5'	3	6	10	17	28	38	38	28	17	10	6	3				
4.5'	4	6	9	14	21	25	25	21	14	9	6	4				
5.5'	4	5	8	11	15	17	17	15	11	8	5	4				
6.5'	3	5	7	9	11	12	12	11	9	7	5	3				
7.5'	3	4	6	7	8	9	9	8	7	6	4	3				
8.5'	3	4	5	6	7	7	7	7	6	5	4	3				

Multiple Fixtures 4' off wall; 4' oc

Distance from ceiling	0.5'	1'	1.5'	2'	2.5'	3'	3.5'	4'	4.5'	5'	5.5'	6'	6.5'	7'	7.5'	8'							
0.5'	31	34	21	20	31	33	21	20	31	33	20	20	31	33	21	20	31	33	21	21	32	33	
1.5'	60	64	49	48	63	64	49	48	62	64	49	48	62	64	49	48	63	64	50	48	62	63	
2.5'	62	66	58	58	67	68	58	58	67	68	59	58	67	68	59	59	67	68	59	58	65	63	
3.5'	49	53	51	52	55	56	53	53	56	56	53	53	56	56	53	53	55	56	52	51	53	50	
4.5'	37	40	41	41	43	43	43	42	43	44	43	42	43	43	43	43	43	43	43	42	41	40	38
5.5'	28	31	32	33	34	34	34	34	34	34	34	34	34	34	34	34	34	34	34	33	32	31	29
6.5'	23	24	26	26	27	27	28	28	28	28	28	28	28	28	28	28	28	28	27	27	26	24	23
7.5'	19	20	21	22	22	23	23	23	23	23	23	23	24	24	23	23	23	23	22	22	21	20	19
8.5'	16	17	18	19	19	20	20	20	20	21	20	20	21	20	20	20	20	20	19	19	18	17	16

SPEQ-L Kicker Wall Wash

Track Head



SPEQ-L Kicker Wall Wash Track Head

PROJECT:

TYPE:

DIMMING COMPATIBILITY:

Amerlux® Speq fixtures are compatible with all major dimming protocols prevalent in the United States. Please see below for general compatibilities and wiring diagrams. Amerlux recommends testing your unique dimming configuration as the exact full configuration (Dimmer, Fixture Quantity, Voltage, etc) may affect dimming performance.

--- NOTE: INFORMATION BELOW IS FOR WIRED DIMMERS ONLY. FOR WIRELESS DIMMERS, CONSULT FACTORY ---

TRIAC (Forward Phase) DIMMING (Standard)

Utilizes standard TRIAC dimmers that are in wide use in installations across the US. Best for retrofit applications where TRIAC dimmers are installed.

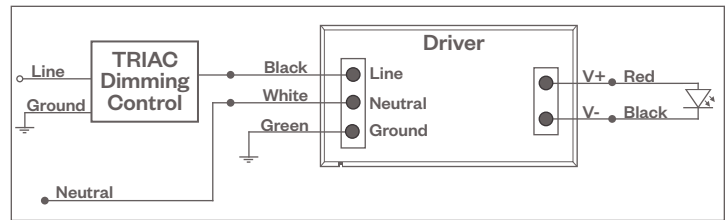
Notes:

- 120VAC or 277VAC*
- Dims down to 5% light output (most cases)
- Consult Dimming manufacturer for installation instructions - DO NOT SHARE NEUTRALS!
- Must meet dimmer Minimum Load Requirements per dimming manufacturer

Compatible Dimmers†:

Wall Box	Central System
Lutron "Diva"	Lutron "GP" Panel
Lutron "Nova-T"	Lutron Grafik Eye QS
Lutron "Maestro"	
Lutron "Skylark"	

TRIAC Wiring Diagram



ELV - Electronic Low Voltage (Reverse Phase) DIMMING (Standard)

Utilizes specialized "ELV" dimmers.

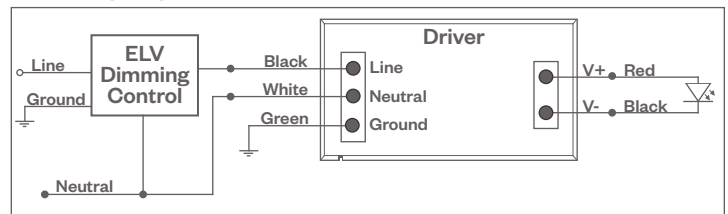
Notes:

- 120VAC or 277VAC*
- Dims down to 5% light output (most cases)
- Consult Dimming manufacturer for installation instructions - DO NOT SHARE NEUTRALS!
- Must meet dimmer Minimum Load Requirements

Compatible Dimmers†:

Wall Box	Wall Box (ELV 277VAC)	Central System
Lutron "Diva"	Leviton Revoir II AWSMT-E	Lutron "GP" Panel with PHPM-PA 120/277VAC
Lutron "Nova-T"		Lutron Grafik Eye QS with PHPM-PA 120/277VAC
Lutron "Maestro"		
Lutron "Skylark"		
Leviton "Surslide"		
Leviton "Vizio"		

ELV Wiring Diagram



Notes:

- * Driver is 277VAC dimmable with appropriate dimmer (by others). All provided wiring diagrams show 120VAC wiring colors and method. Please refer to 277VAC dimmer manufacturer installation instructions for 277VAC wiring diagrams.
- † The absence of a dimmer from the lists above does not imply incompatibility. Please consult factory for compatibility inquiries.