

SPEQ-S

Small Cylinder Track Head, Dim-to-Warm



PROJECT:

TYPE:

Features

Add ambiance to any retail, hospitality or commercial space. Amerlux SPEQ-S Dim-To-Warm option offers a lower kelvin temperature as you dim the lights. An adaptable light source in a cost-effective, solid state lighting package. The Dim-To-Warm option can tap into the powerful mediums of light and color to enhance the experience, well-being, and human emotion. Amerlux Dim-To-Warm allows designers to simulate the familiar glow and dimming of incandescent lamps.



Product Overview

Type: Track Accent & Display
Wattage: 13W
Color Temp: 3000K (dims to 1800K)
CRI: 95+ typ
Dimming: TRIAC & ELV, 5% Dim, 120VAC
Weight: 1.5 lbs (without accessories)

Certifications



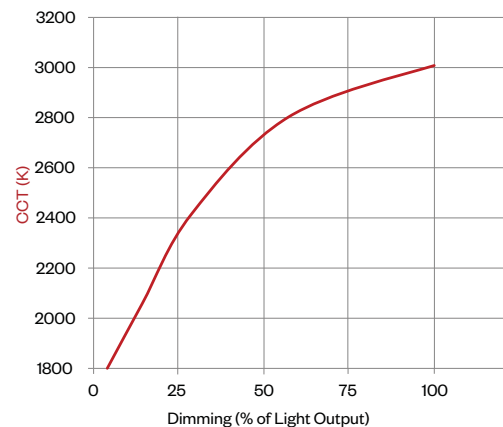
Fixture Summary

Electrical Data

13W		
Voltage	System Watts	Amps
120V	13	0.11

Electronic constant current LED driver.

Dim-To-Warm CCT Curve



To maintain consistent appearance across product types using dim to warm, Amerlux recommends SPEQ-S be put on its own dimming circuit.

SPEQ-S

Small Cylinder Track Head, **Dim-to-Warm**



PROJECT:	TYPE:
-----------------	--------------

Ordering Information

SPEQ-S-DTW . **13** **120** **309** . LE/TE .

1
2
3
4
5
6
7
8
9

1	Model	2	Wattage	3	Finish
	SPEQ-S-DTW		13		WT white texture BT black texture ST silver texture <i>Other finishes, consult factory</i>

4	Mounting	5	Voltage	6	Beam Spreads
	TN1 Global GES /H-Style, 1 circuit, 120V TEK Global TEK 2 circuit/ 2 neutral, 120V TN3 Global XTS 3 circuit, 120V CT J-Style 1 or 2 circuit, 120V LOL L-Style 1 circuit, 120V C canopy, 120V CCL2-SCP C-clamp, black, with straight cord*, 6' 120V CCL2-CCP C-clamp, black, with coil cord*, 5' 120V <i>Notes: * Black cord used for BT & ST finish. White cord used for WT finish.</i>		120		VNF very narrow flood, 18° MFL medium flood, 24° FL flood, 35° WF wide flood, 44° LS linear spread lens, 60° x 10°

7	Color Temp	8	Driver	9	Options/Accessories
	309 3000K-90+		LE/TE TRIAC/ELV dimming, 120V only		<i>(standard front door accepts up to 2 accessories)</i> SN snoot <i>(accepts up to 2 accessories)</i> HEX hexcell louver SOL solite beam softening lens CB cross blade <i>(requires snoot)</i>

SPEQ-S

Small Cylinder Track Head, Dim-to-Warm



PROJECT:

TYPE:

Specifications

Application

Retail, Museum, Gallery, Hospitality and Commercial accent and display lighting

Construction

Complete die-cast aluminum construction
No exposed wiring
Unique magnetic dual lock front door

Optical

Amerlux Designed TIR optical system
0-90° tilt, 360° rotation
Tilt indicating marks for common tilt positioning
Beam Spreads: Very Narrow Flood 18°, Medium Flood 24°,
Flood 35°, Wide Flood 44°, Linear Spread 60° x 10°

LED

Color Temp Options: 3000K (*dims to 1800K*)
CRI: 95+ typ.
R9 Values: 85 (*95+ CRI*)
Binning: 3-step MacAdam ellipse (*SDCM*)
Life: 50,000+ hrs, > 70% of initial lumens at 50,000 hrs

Electrical

Wattage: 13W
Electronic constant current LED driver, 120VAC input
This product complies with IEEE C62.41 for surge endurance up to 2.5KV. Amerlux® recommends using additional surge protection with this unit (supplied by others), surge and over voltage damage is not covered under warranty.

Driver

LE/TE - Leading Edge (*Triac, Forward Phase*) or Trailing Edge (*ELV, Reverse Phase*) autosensing driver dims down to 5% on most dimming systems.
Driver rated for A/C voltage input +/- 10%
See dimming page for more information.

Finish

Powder coat paint.
Standard colors: White Texture, Black Texture, Silver Texture
Consult factory for custom RAL powder coat finishes

Mounting

Track, canopy and c-clamp.
Note: Recommend track fixture mounting to horizontal surface mounted/ pendant mounted track only

Certifications

Approved to UL standards as tested by CSA.
Intended for indoor use only.

Warranty

5 year limited warranty

SPEQ-S

Small Cylinder Track Head, **Dim-to-Warm**

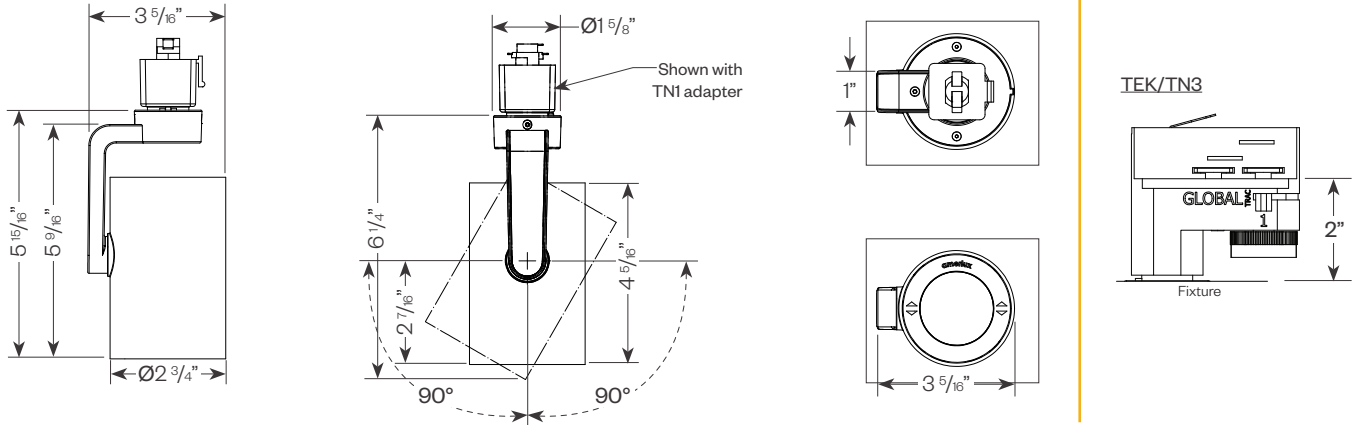


PROJECT:

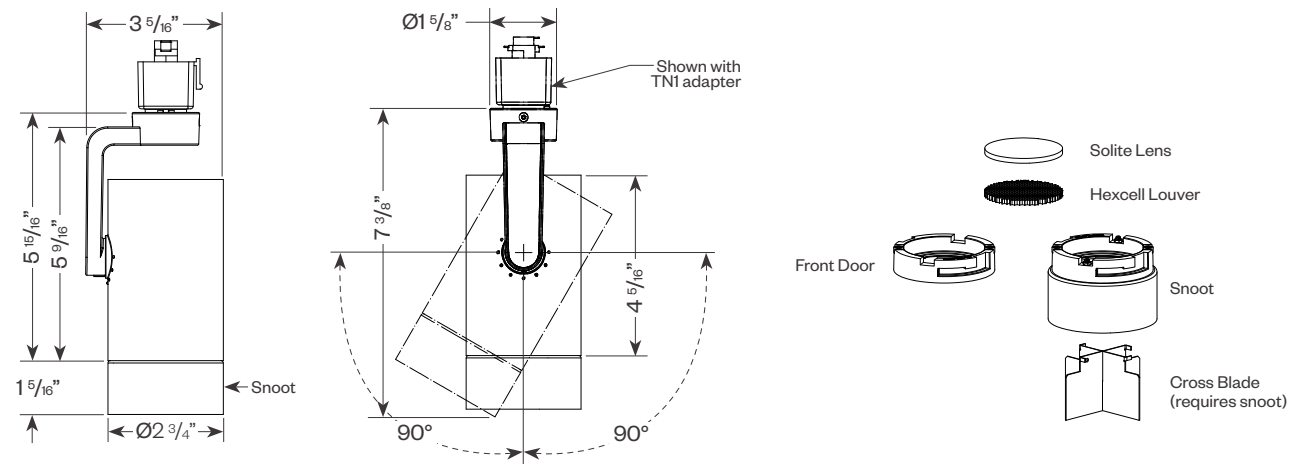
TYPE:

Product Details

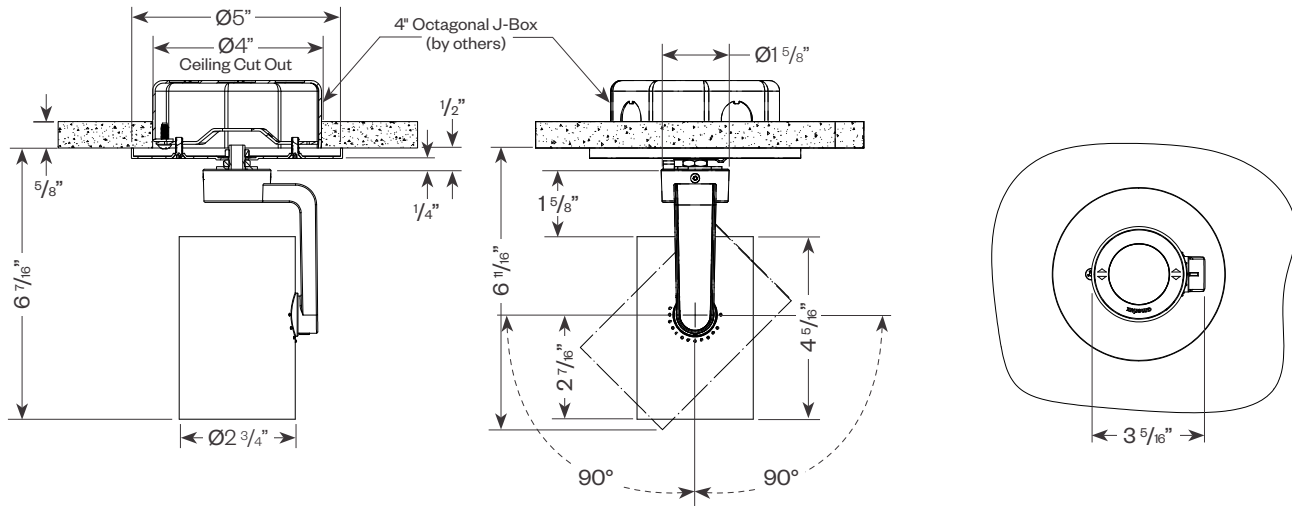
SPEQ-S



SPEQ-S Snoot & Accessories



SPEQ-S Canopy Mount



SPEQ-S

Small Cylinder Track Head, Dim-to-Warm



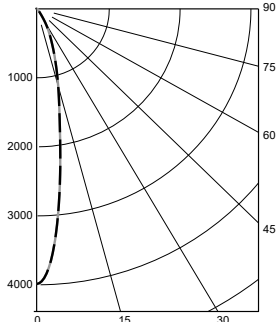
PROJECT:

TYPE:

Performance Data

13W LED, 3000K-95+

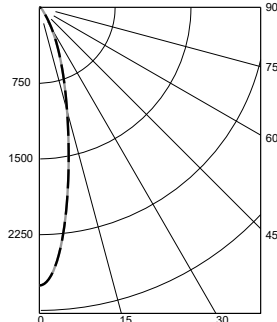
Very Narrow Flood (VNF), 18°
LTL # 12294402.01A
Lumens: 925; Lm/W: 72.1



Candelas at Nadir

Deg	Candela
0	3988
5	3146
15	1105
25	420
35	105
45	42

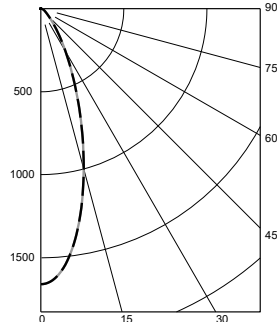
Medium Flood (MFL), 25°
LTL # 12316320.01
Lumens: 886; Lm/W: 69.1



Candelas at Nadir

Deg	Candela
0	2752
5	2392
15	1060
25	418
35	138
45	52

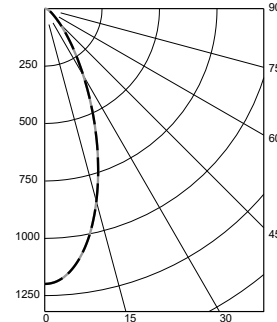
Flood (FL), 35°
LTL # 12316320.02
Lumens: 876; Lm/W: 68.3



Candelas at Nadir

Deg	Candela
0	1659
5	1567
15	1000
25	465
35	187
45	73

Wide Flood (WF), 45°
LTL # 12316320.03
Lumens: 867; Lm/W: 67.6



Candelas at Nadir

Deg	Candela
0	1199
5	1159
15	870
25	492
35	224
45	95

Application Data

Notes and Definitions:

Beam spread is to 50% center beam candlepower (CBCP).

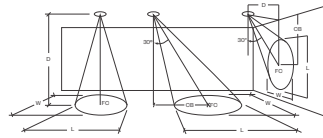
D=Distance to floor or wall.

FC=Footcandles on floor or wall at center beam aiming location.

L=Effective Visual Beam Length in feet (50% of maximum footcandle level).

W=Effective Visual Beam width in feet (50% of maximum footcandle level).

CB=Distance across or down to center beam location.



	0° Aiming Angle Horizontal Footcandles				30° Aiming Angle Horizontal Footcandles					30° Aiming Angle Vertical Footcandles					60° Aiming Angle Vertical Footcandles				
	D	FC	L	W	D	FC	L	W	CB	D	FC	L	W	CB	D	FC	L	W	CB
VERY NARROW FLOOD	5.0'	160	1.6	1.6	5.0'	103	2.2	1.8	3.0	3.0'	63	3.9	1.9	4.0	3.0'	226	1.9	1.3	2.0
	7.5'	71	2.5	2.5	7.5'	47	3.3	2.9	4.0	4.0'	38	4.9	2.6	6.0	4.0'	160	1.8	1.5	2.0
	10.0'	40	3.3	3.3	10.0'	26	4.5	3.7	6.0	5.0'	24	6.2	3.2	7.0	5.0'	100	2.4	1.8	3.0
	12.5'	26	3.9	3.9	12.5'	17	5.3	4.6	7.0	6.0'	17	7.5	3.7	9.0	6.0'	71	2.7	2.3	3.0
MEDIUM FLOOD	5.0'	110	2.0	2.0	5.0'	71	2.8	2.5	3.0	3.0'	51	3.9	2.3	4.0	3.0'	164	2.2	1.6	2.0
	7.5'	49	3.2	3.2	7.5'	33	4.0	3.5	4.0	4.0'	29	5.3	3.1	5.0	4.0'	116	2.2	1.9	2.0
	10.0'	28	4.1	4.1	10.0'	19	5.1	4.7	5.0	5.0'	19	6.7	3.8	7.0	5.0'	70	2.9	2.5	3.0
	12.5'	18	5.2	5.2	12.5'	12	6.8	5.9	7.0	6.0'	13	8.2	4.6	8.0	6.0'	52	3.3	2.9	3.0
FLOOD	5.0'	67	3.0	3.0	5.0'	45	3.7	3.3	2.0	3.0'	40	4.0	2.9	3.0	3.0'	118	2.4	1.9	1.0
	7.5'	30	4.4	4.4	7.5'	21	5.4	4.9	4.0	4.0'	22	5.3	3.7	4.0	4.0'	73	3.0	2.8	2.0
	10.0'	17	5.8	5.8	10.0'	12	7.2	6.5	5.0	5.0'	14	6.7	4.7	5.0	5.0'	46	3.7	3.3	2.0
	12.5'	11	7.3	7.3	12.5'	8	9.0	8.1	6.0	6.0'	10	8.2	5.6	6.0	6.0'	33	4.3	3.9	3.0
WIDE FLOOD	5.0'	48	3.5	3.5	5.0'	35	4.1	3.7	2.0	3.0'	35	3.9	3.1	3.0	3.0'	96	2.5	2.3	1.0
	7.5'	22	5.3	5.3	7.5'	16	6.2	5.7	3.0	4.0'	20	5.2	4.0	4.0	4.0'	54	3.4	3.2	2.0
	10.0'	12	7.0	7.0	10.0'	9	8.3	7.7	4.0	5.0'	13	6.5	5.1	5.0	5.0'	36	4.2	3.8	2.0
	12.5'	8	8.8	8.8	12.5'	6	10.5	9.7	5.0	6.0'	9	8.0	6.2	6.0	6.0'	24	5.1	4.8	2.0

SPEQ-S

Small Cylinder Track Head, Dim-to-Warm



PROJECT:

TYPE:

Dimming Compatibility

Amerlux® SPEQ® fixtures are compatible with all major dimming protocols prevalent in the United States. Please see below for general compatibilities and wiring diagrams. Amerlux recommends testing your unique dimming configuration as the exact full configuration (*Dimmer, Fixture Quantity, Voltage, etc*) may affect dimming performance.

--- NOTE: INFORMATION BELOW IS FOR WIRED DIMMERS ONLY. FOR WIRELESS DIMMERS, CONSULT FACTORY ---

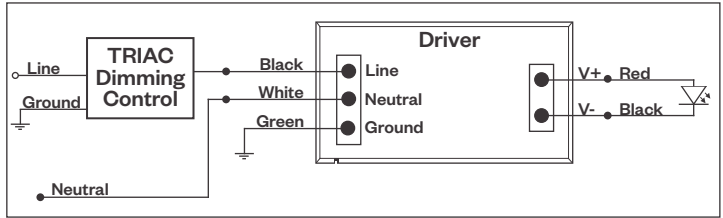
TRIAC (Forward Phase) DIMMING (Standard)

Utilizes standard TRIAC dimmers that are in wide use in installations across the US. Best for retrofit applications where TRIAC dimmers are installed.

Notes:

- 120VAC only
- Dims down to 5% light output (*most cases*)
- Consult Dimming manufacturer for installation instructions - **DO NOT SHARE NEUTRALS!**
- Must meet dimmer Minimum Load Requirements per dimming manufacturer

TRIAC Wiring Diagram



Compatible Dimmers*:

Wall Box (TRIAC 120VAC)

Lutron "Diva"

Lutron "Nova-T"

Lutron "Maestro"

Lutron "Skylark"

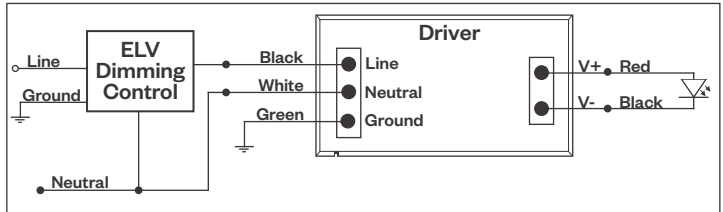
ELV - Electronic Low Voltage (Reverse Phase) DIMMING (Standard)

Utilizes specialized "ELV" dimmers.

Notes:

- 120VAC only
- Dims down to 5% light output (*most cases*)
- Consult Dimming manufacturer for installation instructions - **DO NOT SHARE NEUTRALS!**
- Must meet dimmer Minimum Load Requirements per dimming manufacturer

ELV Wiring Diagram



Compatible Dimmers*:

Wall Box (ELV 120VAC)

Lutron "Diva"

Lutron "Nova-T"

Lutron "Maestro"

Lutron "Skylark"

Leviton "Surslide"

Leviton "Vizio"