

SPEQ -S

Small Cylinder Track Head Dim-To-Warm



Features

Add ambiance to any retail, hospitality or commercial space. Amerlux SPEQ-S Dim-To-Warm option offers a lower kelvin temperature as you dim the lights. An adaptable light source in a cost-effective, solid state lighting package. The Dim-To-Warm option can tap into the powerful mediums of light and color to enhance the experience, well-being, and human emotion. Amerlux Dim-To-Warm allows designers to simulate the familiar glow and dimming of incandescent lamps.

Product Overview

Type:	Track Accent & Display
Wattage:	13W
Lumen Output:	925 lm max; 72.1 lm/W (VNF optio)
CBCP:	3,988 max (VNF optpic)
Color Temp:	3000K (dims to 1800K)
CRI:	95+ typ
Dimming:	TRIAC & ELV (120VAC) - 5% Dim
Weight:	1.5 lbs (without accessories)

PROJECT:

TYPE:

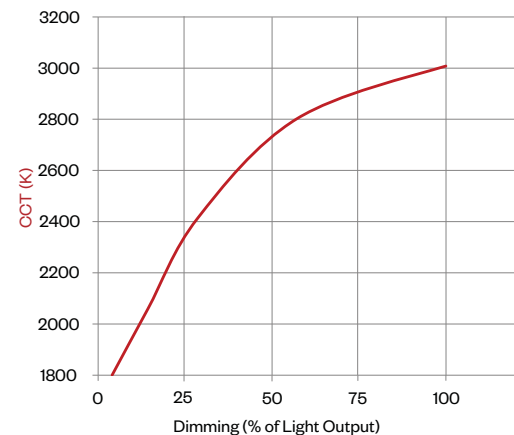
Fixture Summary *(see following pages for more information)*

Electrical Data

	13W	
	System Watts	Amps
120V	13	0.11

Electronic constant current LED driver

Dim-To-Warm CCT Curve



To maintain consistent appearance across product types using dim to warm, Amerlux recommends SPEQ-S be put on its own dimming circuit.



SPEQ-S

Small Cylinder Track Head, Dim-To-Warm



PROJECT:

TYPE:

Ordering Information

SPEQ-S-DTW . 13 120 309 . LE/TE

1 **2** **3** **4** **5** **6** **7** **8** **9**

1 Model
SPEQ-S-DTW

2 Wattage
13

3 Finish
WT - white texture
BT - black texture
ST - silver texture
Other finishes, consult factory

4 Mounting
TN1 - Global GES/H-Style, 1 circuit, 120V
TEK - Global TEK 2 circuit/2 neutral, 120V
TN3 - Global XTS 3 circuit, 120V
CT - J-Style, 1 or 2 circuit, 120V
LOL - L-Style, 1 circuit, 120V
B* - busway, 120VAC
C - canopy, 120VAC
CCL2-SCP - C-clamp, black, with straight cord**, 6', 120VAC
CCL2-CCP - C-clamp, black, with coil cord**, 5', 120VAC
Notes: *Black busway adapter used for ST finish
**Black cord used for BT & ST finish,
White cord used for WT finish

5 Voltage
120

6 Beam Spreads
VNF - very narrow flood, 18°
MFL - medium flood 24°
FL - flood 35°
WF wide flood 44°
LS - linear spread lens, 60° x 10°

7 Color Temp
309 - 3000-95+

8 Driver
LE/TE - TRIAC/ELV dimming, 120VAC only

9 Options/Accessories
(standard front door accepts up to 2 accessories)
SN - snoot (accepts up to 2 accessories or cross blade + 1 accessory)
HEX - hexcell louver
SOL - solite beam softening lens
CB - cross blade (requires snoot)

SPEQ-S

Small Cylinder Track Head, Dim-To-Warm



PROJECT:

TYPE:

Specifications

Application

Retail, Museum, Gallery, Hospitality and Commercial accent and display lighting

Construction

Complete die-cast aluminum construction
No exposed wiring
Unique magnetic dual lock front door

Optical

Amerlux Designed TIR optical system
0-90° tilt, 360° rotation
Tilt indicating marks for common tilt positioning
Beam Spreads: Very Narrow Flood 18°, Medium Flood 24°, Flood 35°, Wide Flood 44°, Linear Spread 60° x 10°

LED

Color Temp Options: 3000K (dims to 1800K)
CRI: 95+ typ. (3000K)
R9 Values: 85 (95+ CRI)
Binning: 3-step MacAdam ellipse (SDCM)
Life: 50,000+ hrs, > 70% of initial lumens at 50,000 hrs

Electrical

Wattage: 13W
Electronic constant current LED driver, 120VAC input
This product complies with IEEE C62.41 for surge endurance up to 2.5KV. Amerlux® recommends using additional surge protection with this unit (supplied by others), surge and over voltage damage is not covered under warranty.

Driver

LE/TE - Leading Edge (Triac, Forward Phase) or Trailing Edge (ELV, Reverse Phase) autosensing driver dims down to 5% on most dimming systems.
Driver rated for A/C voltage input +/- 10%
See dimming page for more information.

Finish

Powder coat paint.
Standard colors: White Texture, Black Texture, Silver Texture
Consult factory for custom RAL powder coat finishes

Mounting

Track, canopy, c-clamp and busway.
Note: Recommend track fixture mounting to horizontal surface mounted/pendant mounted track only

Certifications

Approved to UL standards as tested by CSA.
Intended for indoor use only.

Warranty

5 year limited warranty

SPEQ-S

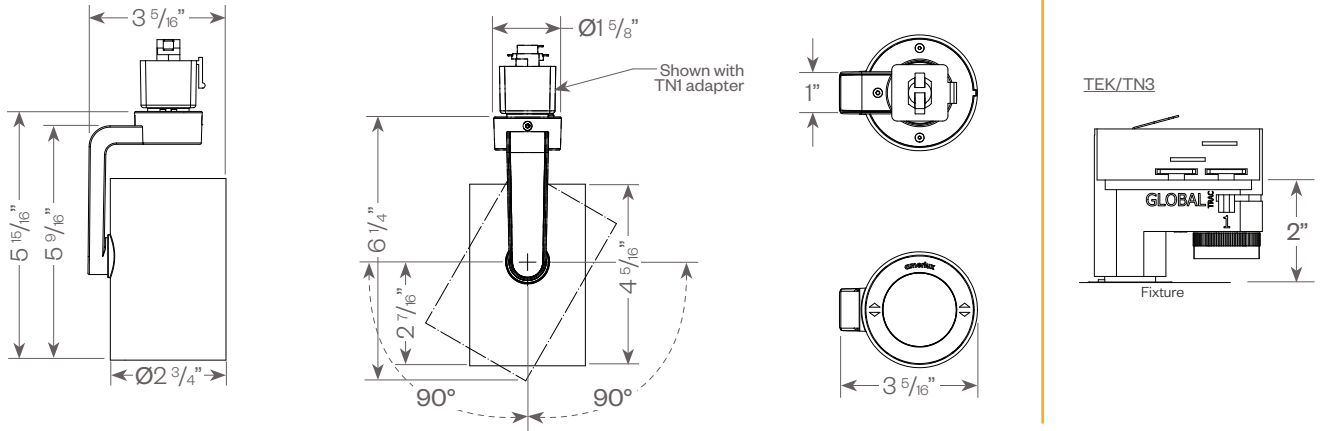
Small Cylinder Track Head, Dim-To-Warm



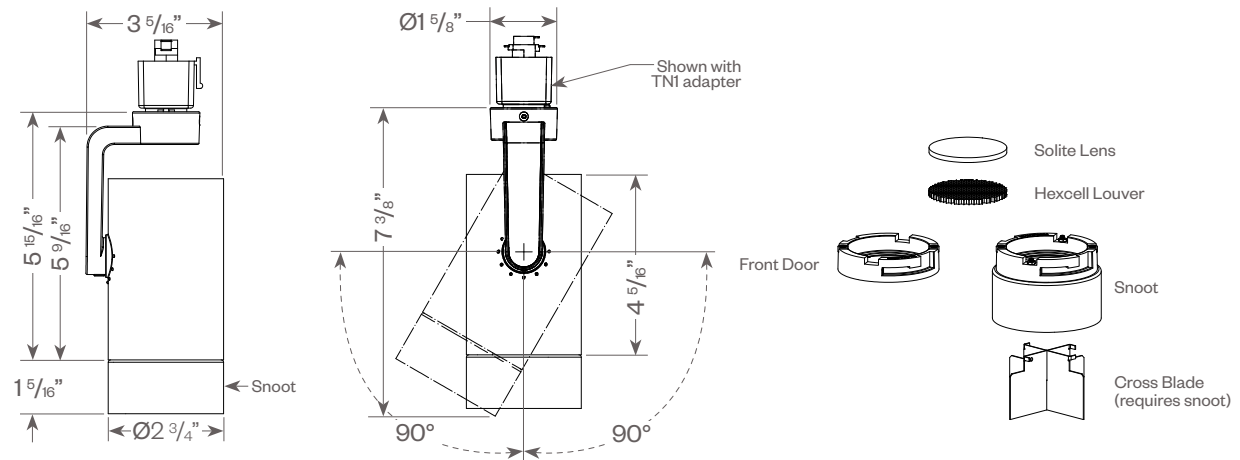
PROJECT:

TYPE:

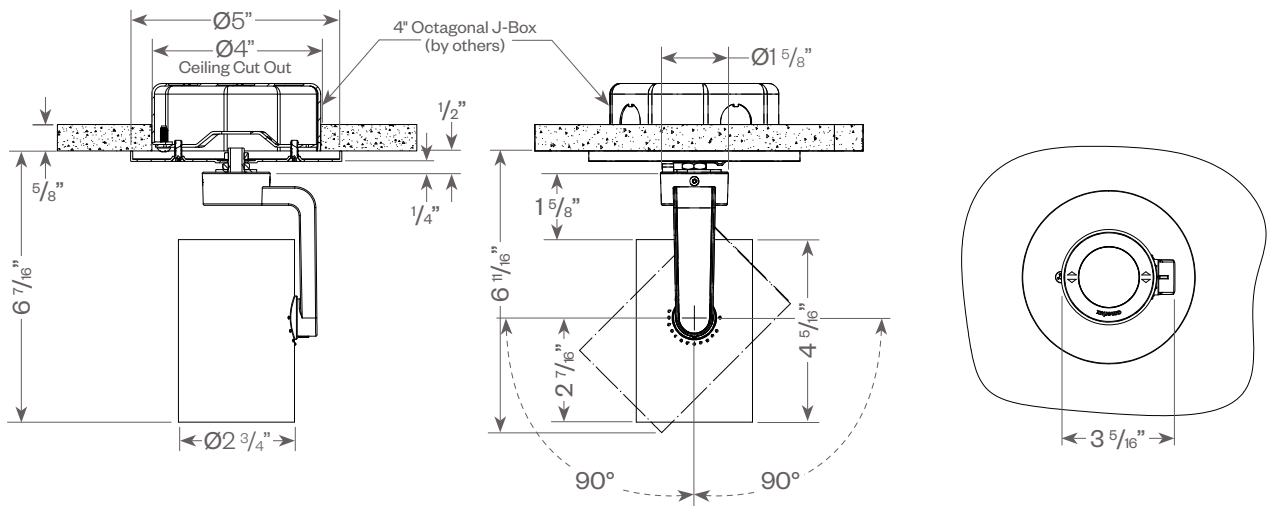
SPEQ-S



SPEQ-S SNOOT & ACCESSORIES



SPEQ-S CANOPY MOUNT



SPEQ-S

Small Cylinder Track Head, Dim-To-Warm



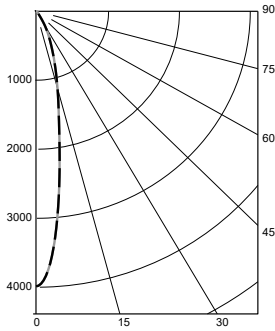
PROJECT:

TYPE:

FIXTURE DATA: (Complete photometric data (.ies format) available upon request)

13W LED, 3000K-95+

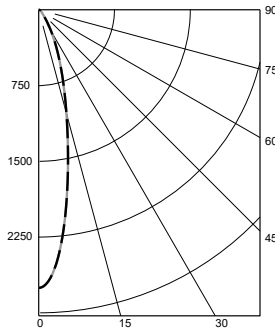
Very Narrow Flood (VNF), 18°
LTL # 12294402.01A
Lumens: 925; Lm/W: 72.1



Candelas at Nadir

Deg	Candela
0	3988
5	3146
15	1105
25	420
35	105
45	42

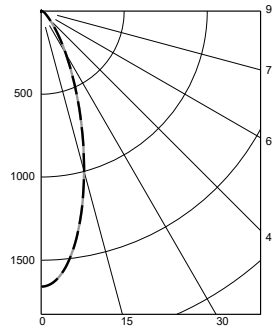
Medium Flood (MFL), 25°
LTL # 12316320.01
Lumens: 886; Lm/W: 69.1



Candelas at Nadir

Deg	Candela
0	2752
5	2392
15	1060
25	418
35	138
45	52

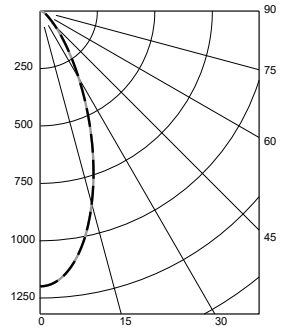
Flood (FL), 35°
LTL # 12316320.02
Lumens: 876; Lm/W: 68.3



Candelas at Nadir

Deg	Candela
0	1659
5	1567
15	1000
25	465
35	187
45	73

Wide Flood (WF), 45°
LTL # 12316320.03
Lumens: 867; Lm/W: 67.6



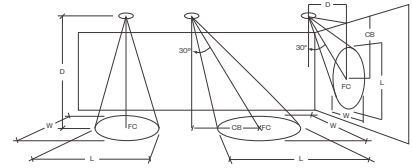
Candelas at Nadir

Deg	Candela
0	1199
5	1159
15	870
25	492
35	224
45	95

APPLICATION DATA:

Notes and Definitions:

- Beam spread is to 50% center beam candlepower (CBCP).
- D=Distance to floor or wall.
- FC=Footcandles on floor or wall at center beam aiming location.
- L=Effective Visual Beam length in feet (50% of maximum footcandle level).
- W=Effective Visual Beam width in feet (50% of maximum footcandle level).
- CB=Distance across or down to center beam location.



	0° Aiming Angle Horizontal Footcandles				30° Aiming Angle Horizontal Footcandles					30° Aiming Angle Vertical Footcandles					60° Aiming Angle Vertical Footcandles				
	D	FC	L	W	D	FC	L	W	CB	D	FC	L	W	CB	D	FC	L	W	CB
VERY NARROW FLOOD	5.0'	160	1.6	1.6	5.0'	103	2.2	1.8	3.0	3.0'	63	3.9	1.9	4.0	3.0'	226	1.9	1.3	2.0
	7.5'	71	2.5	2.5	7.5'	47	3.3	2.9	4.0	4.0'	38	4.9	2.6	6.0	4.0'	160	1.8	1.5	2.0
	10.0'	40	3.3	3.3	10.0'	26	4.5	3.7	6.0	5.0'	24	6.2	3.2	7.0	5.0'	100	2.4	1.8	3.0
	12.5'	26	3.9	3.9	12.5'	17	5.3	4.6	7.0	6.0'	17	7.5	3.7	9.0	6.0'	71	2.7	2.3	3.0
MEDIUM FLOOD	5.0'	110	2.0	2.0	5.0'	71	2.8	2.5	3.0	3.0'	51	3.9	2.3	4.0	3.0'	164	2.2	1.6	2.0
	7.5'	49	3.2	3.2	7.5'	33	4.0	3.5	4.0	4.0'	29	5.3	3.1	5.0	4.0'	116	2.2	1.9	2.0
	10.0'	28	4.1	4.1	10.0'	19	5.1	4.7	5.0	5.0'	19	6.7	3.8	7.0	5.0'	70	2.9	2.5	3.0
	12.5'	18	5.2	5.2	12.5'	12	6.8	5.9	7.0	6.0'	13	8.2	4.6	8.0	6.0'	52	3.3	2.9	3.0
FLOOD	5.0'	67	3.0	3.0	5.0'	45	3.7	3.3	2.0	3.0'	40	4.0	2.9	3.0	3.0'	118	2.4	1.9	1.0
	7.5'	30	4.4	4.4	7.5'	21	5.4	4.9	4.0	4.0'	22	5.3	3.7	4.0	4.0'	73	3.0	2.8	2.0
	10.0'	17	5.8	5.8	10.0'	12	7.2	6.5	5.0	5.0'	14	6.7	4.7	5.0	5.0'	46	3.7	3.3	2.0
	12.5'	11	7.3	7.3	12.5'	8	9.0	8.1	6.0	6.0'	10	8.2	5.6	6.0	6.0'	33	4.3	3.9	3.0
WIDE FLOOD	5.0'	48	3.5	3.5	5.0'	35	4.1	3.7	2.0	3.0'	35	3.9	3.1	3.0	3.0'	96	2.5	2.3	1.0
	7.5'	22	5.3	5.3	7.5'	16	6.2	5.7	3.0	4.0'	20	5.2	4.0	4.0	4.0'	54	3.4	3.2	2.0
	10.0'	12	7.0	7.0	10.0'	9	8.3	7.7	4.0	5.0'	13	6.5	5.1	5.0	5.0'	36	4.2	3.8	2.0
	12.5'	8	8.8	8.8	12.5'	6	10.5	9.7	5.0	6.0'	9	8.0	6.2	6.0	6.0'	24	5.1	4.8	2.0

SPEQ-S

Small Cylinder Track Head, Dim-To-Warm



PROJECT:

TYPE:

DIMMING COMPATIBILITY:

Amerlux® Speq fixtures are compatible with all major dimming protocols prevalent in the United States. Please see below for general compatibilities and wiring diagrams. Amerlux recommends testing your unique dimming configuration as the exact full configuration (Dimmer, Fixture Quantity, Voltage, etc) may affect dimming performance.

--- NOTE: INFORMATION BELOW IS FOR WIRED DIMMERS ONLY. FOR WIRELESS DIMMERS, CONSULT FACTORY ---

TRIAC (Forward Phase) DIMMING (Standard)

Utilizes standard TRIAC dimmers that are in wide use in installations across the US.

Notes:

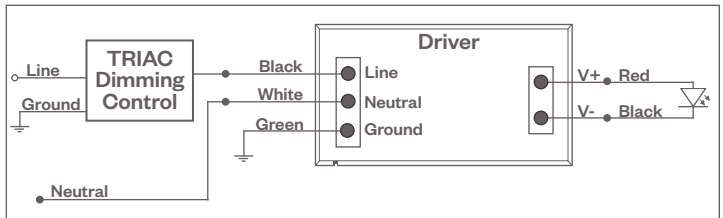
- 120VAC only
- Dims down to 5% light output (most cases)
- Consult Dimming manufacturer for installation instructions - DO NOT SHARE NEUTRALS!
- Must meet dimmer Minimum Load Requirements per dimming manufacturer

Compatible Dimmers:

Wall Box (TRIAC 120VAC)

Lutron "Diva"
Lutron "Nova-T"
Lutron "Maestro"
Lutron "Skylark"

TRIAC Wiring Diagram



ELV - Electronic Low Voltage (Reverse Phase) DIMMING (Standard)

Utilizes specialized "ELV" dimmers.

Notes:

- 120VAC only
- Dims down to 5% light output (most cases)
- Consult Dimming manufacturer for installation instructions - DO NOT SHARE NEUTRALS!
- Must meet dimmer Minimum Load Requirements per dimming manufacturer

Compatible Dimmers:

Wall Box (ELV 120VAC)

Lutron "Diva"	Leviton "Surslide"
Lutron "Nova-T"	Leviton "Vizio"
Lutron "Maestro"	
Lutron "Skylark"	

ELV Wiring Diagram

