



INSTRUCTION SHEET

SPEQ-S, SPEQ-M, SPEQ-L ACCESSORIES INSTALLATION

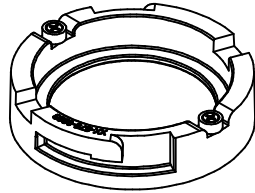
689-0747

PAGE 1 OF 3

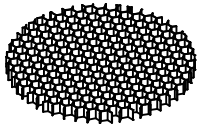
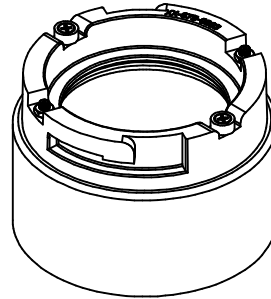
WARNING - RISK OF FIRE AND ELECTRICAL SHOCK. FIXTURE MUST BE INSTALLED BY A QUALIFIED ELECTRICIAN ONLY. FIXTURE IS INTENDED FOR INSTALLATION IN ACCORDANCE WITH THE NATIONAL ELECTRICAL CODE, LOCAL AND FEDERAL SPECIFICATIONS. DISCONNECT POWER AT ELECTRICAL PANEL BEFORE SERVICING. RETAIN THESE INSTRUCTIONS FOR MAINTENANCE REFERENCE.

SPEQ-S ACCESSORIES INSTALLATION

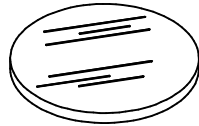
FRONT DOOR



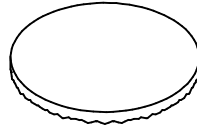
SNOOT



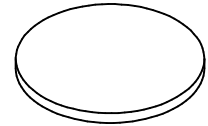
HEXCELL LOUVER
MUST STAY IN CONTACT WITH FRONT DOOR. IT IS TO BE INSTALLED FIRST.



CLEAR LENS

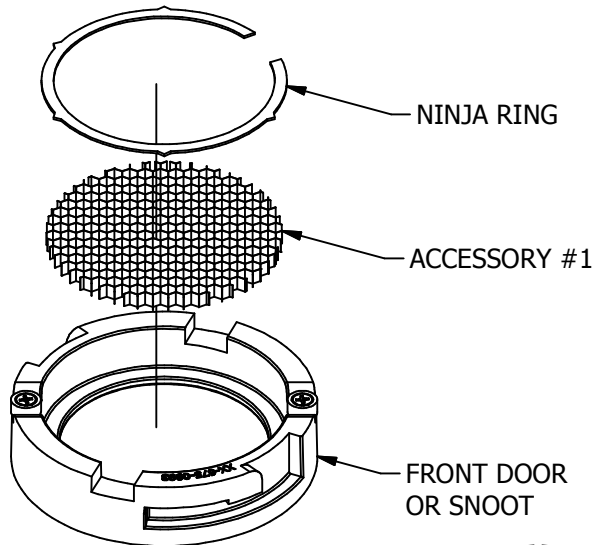


PRISMATIC LENS

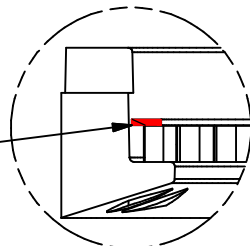


SOLITE LENS

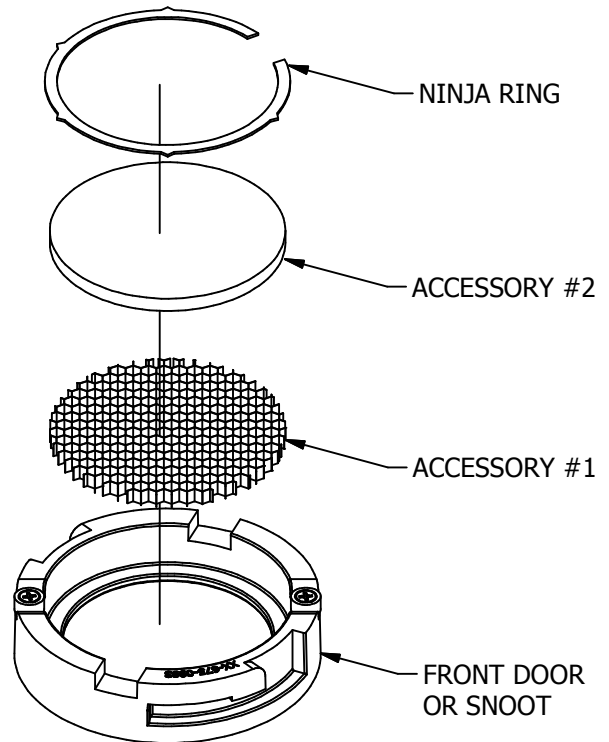
ONE ACCESSORY



INSTALL NINJA RING ON TOP OF ACCESSORY. ENSURE IT STAYS FLAT.



TWO ACCESSORIES

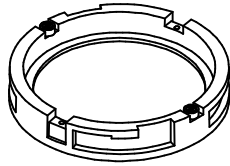


Amerlux, 178 Bauer Drive, Oakland, N.J. 07436, T: 973-882-5010, F: 973-882-2604 www.amerlux.com

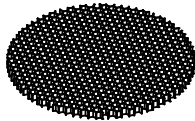
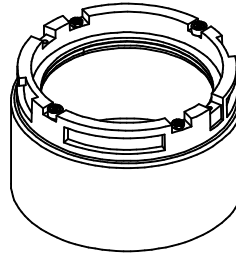
WARNING - RISK OF FIRE AND ELECTRICAL SHOCK. FIXTURE MUST BE INSTALLED BY A QUALIFIED ELECTRICIAN ONLY. FIXTURE IS INTENDED FOR INSTALLATION IN ACCORDANCE WITH THE NATIONAL ELECTRICAL CODE, LOCAL AND FEDERAL SPECIFICATIONS. DISCONNECT POWER AT ELECTRICAL PANEL BEFORE SERVICING. RETAIN THESE INSTRUCTIONS FOR MAINTENANCE REFERENCE.

SPEQ-M, SPEQ-L ACCESSORIES INSTALLATION

FRONT DOOR

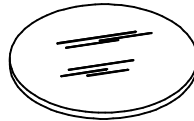


SNOOT

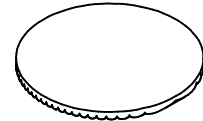


HEXCELL LOUVER

MUST STAY IN CONTACT WITH FRONT DOOR. IT IS TO BE INSTALLED FIRST.

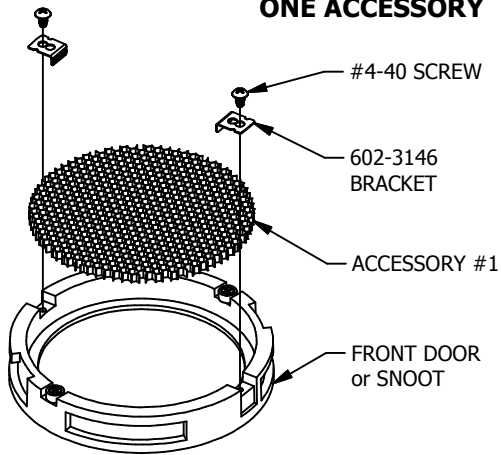


SOLITE LENS

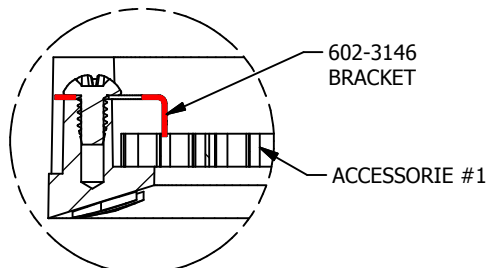


LINEAR SPREAD LENS

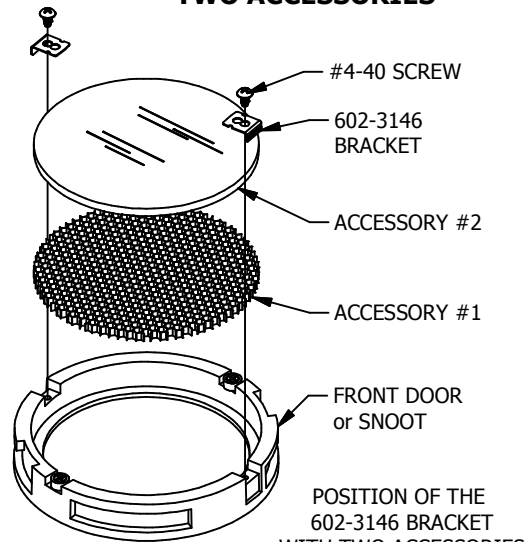
ONE ACCESSORY



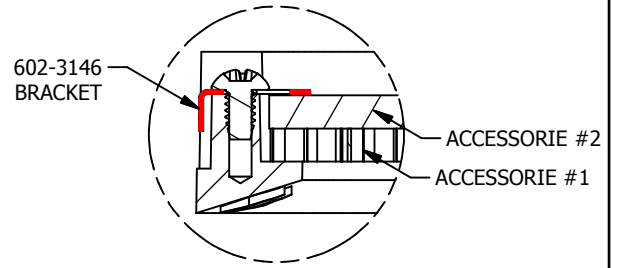
POSITION OF THE 602-3146 BRACKET WITH ONE ACCESSORIE



TWO ACCESSORIES



POSITION OF THE 602-3146 BRACKET WITH TWO ACCESSORIES



WARNING - RISK OF FIRE AND ELECTRICAL SHOCK. FIXTURE MUST BE INSTALLED BY A QUALIFIED ELECTRICIAN ONLY. FIXTURE IS INTENDED FOR INSTALLATION IN ACCORDANCE WITH THE NATIONAL ELECTRICAL CODE, LOCAL AND FEDERAL SPECIFICATIONS. DISCONNECT POWER AT ELECTRICAL PANEL BEFORE SERVICING.

RETAIN THESE INSTRUCTIONS FOR MAINTENANCE REFERENCE.

SPEQ-S, SPEQ-M, SPEQ-L CROSS BLADE INSTALLATION

