

SPEQ-L

Large Cylinder Track Head



Features

Designed to let the interior design and not the lighting take center stage, the SPEQ track head from Amerlux balances clean, minimal aesthetic design with industry leading optical performance. The fixture has no visible heat sink or venting and has snoot perfectly matched to provide excellent glare control while maintaining the clean fixture lines. The integral driver is fully featured with low end dimming and full 2.5 KV surge protection (not a lamp driver!) Perfect for Galleries, Retail and Commercial interiors SPEQ uses high end optical designs to ensure your space is lit perfectly and efficiently.

Product Overview

Type:	Track Accent & Display
Wattage:	33W, 41W, 48W
Lumen Output:	up to 4,382 lm; up to 91.5 lm/W
CBCP:	up to 55,180 max
Color Temp:	2700K, 3000K, 3500K, 4000K
ORI:	83 typ. & 90+ typ. CrispWhite & 3K Class A LED's available
Dimming:	TRIAC & ELV (120/277VAC) - 5% Dim
Weight:	4.0 lbs (without accessories)

PROJECT:

TYPE:

Fixture Summary *(see following pages for more information)*

Performance Chart

Nominal Watts	Delivered Lumens	LPW	CBCP	Color Temp
33	3,193	96.8	40,281	3000K-83
41	3,805	92.8	48,007	3000K-83
48	4,374	91.3	55,180	3000K-83

Data is based on 3000K-83 IES files available on website.

Data is based on Spot optic. For other beam spread data see pages 5-6.

Electrical Data

	33W		41W		48W	
	System Watts	Amps	System Watts	Amps	System Watts	Amps
120V	33	0.28	41	0.34	48	0.40
277V	33	0.12	41	0.15	48	0.17

Electronic constant current LED driver



5 year limited warranty
AMERLUX LED



SPEQ-L

Large Cylinder Track Head



PROJECT:

TYPE:

Ordering Information



- | | |
|---|--|
| <p>1 <u>Model</u>
SPEQ-L-A17†</p> <p>2 <u>Wattage</u>
33
41
48</p> <p>3 <u>Finish</u>
WT - white texture
BT - black texture
ST - silver texture
<i>Other finishes, consult factory</i></p> <p>4 <u>Mounting</u>
TN1 - Global GES 1cir/H-Style, 120V
TEK - Global TEK 2cir/2neut, 120V
TN3 - Global XTS 3cir, 120V
TN2 - Global HTEK 2cir/2neut, 277V
CT - J-Style, 120V
LOL - L-Style 1cir, 120V
B* - busway, 120/277VAC
C - canopy, 120/277VAC
CCL2-SCP - C-clamp, black, with straight cord**, 6', 120V
CCL2-CCP - C-clamp, black, with coil cord**, 5', 120V
Notes: *Black busway adapter used for ST finish
**Black cord used for BT & ST finish,
White cord used for WT finish</p> <p>5 <u>Voltage</u>
120
277</p> | <p>6 <u>Beam Spreads</u>
SP - spot, 12°
NF - narrow flood, 17°
FL - flood, 25°
WF - wide flood, 40°
LS - linear spread lens, 40° x 13° (reduces # of accessories by 1, if applicable)</p> <p>7 <u>Color Temp</u>
83 CRI: 90+ CRI:
27 - 2700K-83 279 - 2700K-90+ CRISP - CrispWhite
30 - 3000K-83 309 - 3000K-90+ 3CLA - 3K Class A
35 - 3500K-83 359 - 3500K-90+
40 - 4000K-83 409 - 4000K-90+</p> <p>8 <u>Driver</u>
LE/TE - TRIAC/ELV dimming, 120/277VAC</p> <p>9 <u>Options/Accessories</u>
(standard front door accepts up to 2 accessories)
SN - snoot (accepts up to 2 accessories or cross blade + 1 accessory)
HEX - hexcell louver
SOL - solite beam softening lens
CB - cross blade (requires snoot)</p> |
|---|--|



Note: See page 8 for Energy Star approved model numbers.

† The "A" refers to the sequential revision in a year and "XX" refers to the year of update. Updates coincide with improved performance while not changing the overall fixture aesthetic and are reflected in the published performance data. Please contact your Amerlux representative for explanations of changes.

SPEQ-L

Large Cylinder Track Head



PROJECT:

TYPE:

Specifications

Application

Retail, Museum, Gallery, Hospitality and Commercial accent and display lighting

Construction

Complete die-cast aluminum construction
No exposed wiring
Unique magnetic dual lock front door

Optical

Amerlux designed Reflector optical system.
0-90° lockable tilt, 360° rotation
Tilt indicating marks for common tilt positioning
Beam Spreads: Spot 12°, Narrow Flood 17°, Flood 25°,
Wide Flood 40°, Linear Spread 40° x 13°

LED

Color Temp Options:

2700K, 3000K, 3500K, 4000K

CRI: 83 typ. (2700K, 3000K, 3500K, 4000K)

90+ typ. (2700K, 3000K, 3500K, 4000K)

CrispWhite* and Class A** 3000K LEDs available

R9 Values: 11 (83 CRI), 55 (90+ CRI)

Binning: 3 MacAdam (SDCM)

Life: 50,000+ hrs, > 70% of initial lumens at 50,000 hrs

**CrispWhite: CrispWhite Technology delivers the warmth of colors expected from a high 90 CRI solution but also creates the natural crisp white color similar to CMH sources. It creates impactful lighting by revealing the richest whites and vibrant colors that pop.*

***Class A LED: Class A LED's have a CRI > 80 and a GAI > 80. CRI defines color "Naturalness" and GAI defines color "Saturation." Both being high delivers rich colors and pure whites.*

Electrical

Wattage: 33, 41, 48

Electronic constant current LED driver, 120/277VAC input

This product complies with IEEE C62.41 for surge endurance up to 2.5KV. Amerlux® recommends using additional surge protection with this unit (supplied by others), surge and over voltage damage is not covered under warranty.

Driver

LE/TE - Leading Edge (Triac, Forward Phase) or Trailing Edge (ELV, Reverse Phase) autosensing driver dims down to less than 5% on most dimming system.

See dimming pages for more information.

Finish

Powder coat paint.

Standard colors: White Texture, Black Texture, Silver Texture

Consult factory for custom RAL powder coat finishes

Mounting

Track, canopy, c-clamp and busway.

Note: Recommend track fixture mounting to horizontal surface mounted/pendant mounted track only

Certifications

Approved to UL standards as tested by CSA.

Intended for indoor use only.

Warranty

5 year limited warranty

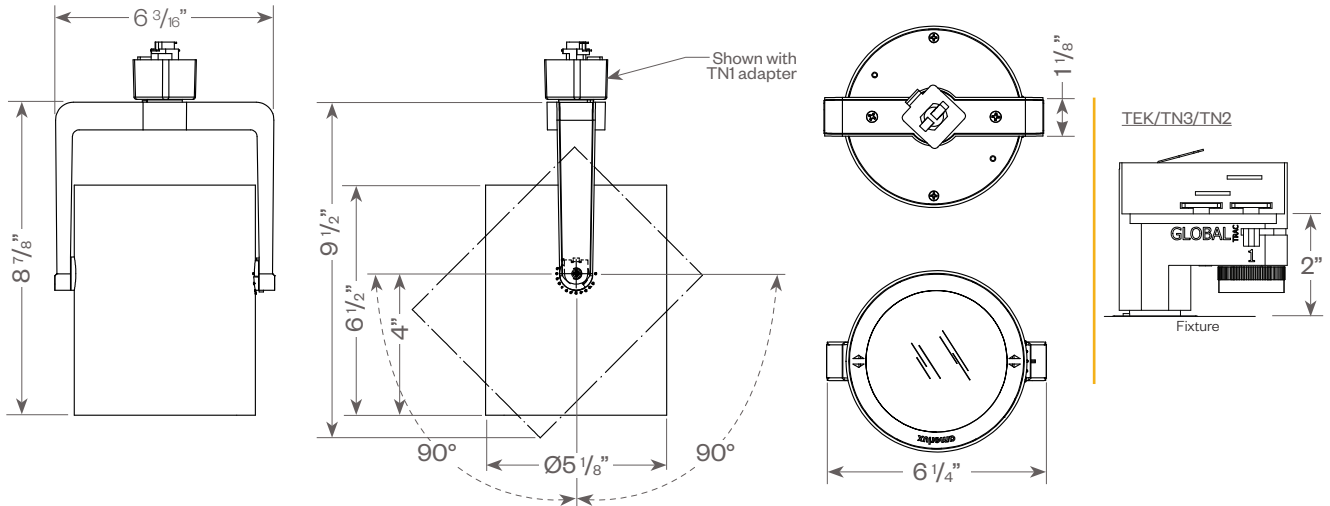
SPEQ-L

Large Cylinder Track Head

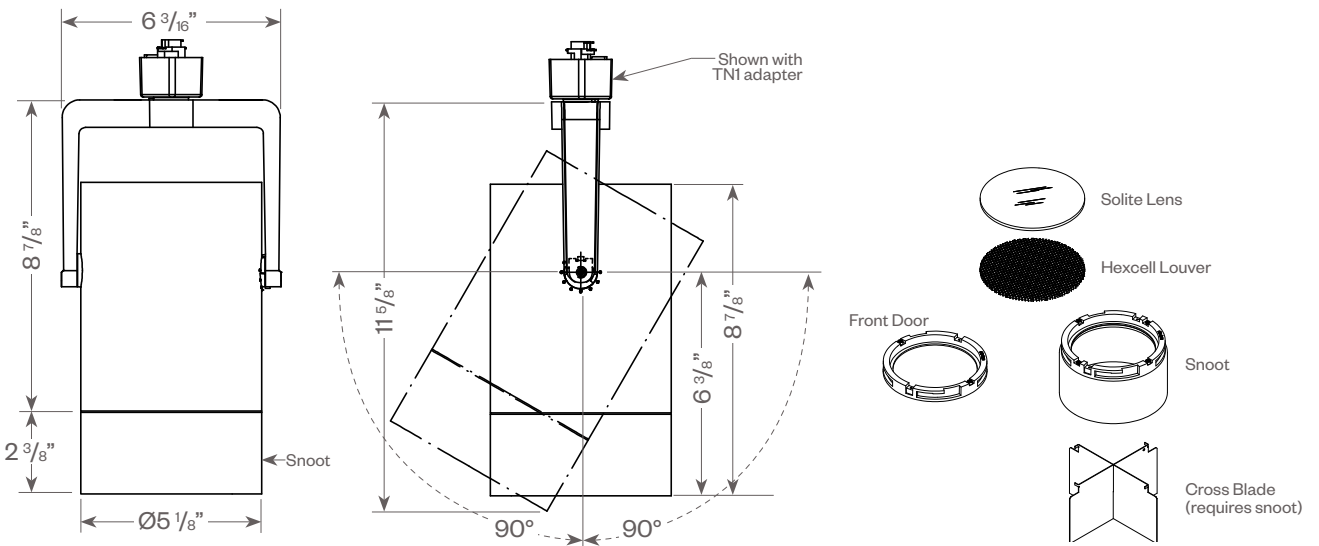
PROJECT:

TYPE:

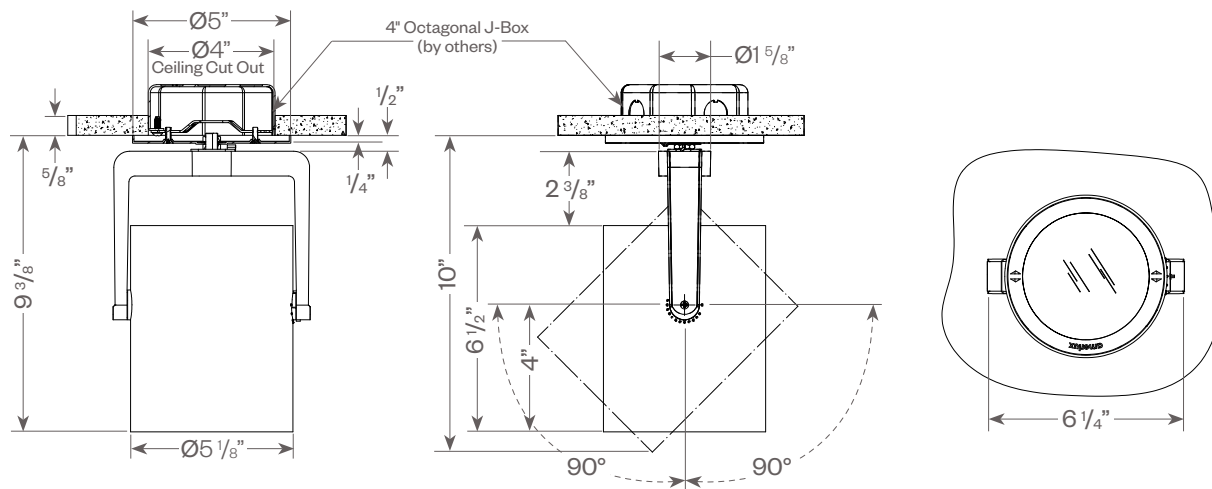
SPEQ-L



SPEQ-L SNOOT & ACCESSORIES



SPEQ-L CANOPY MOUNT



SPEQ-L

Large Cylinder Track Head



PROJECT:

TYPE:

FIXTURE DATA: (Complete photometric data (.ies format) available upon request)

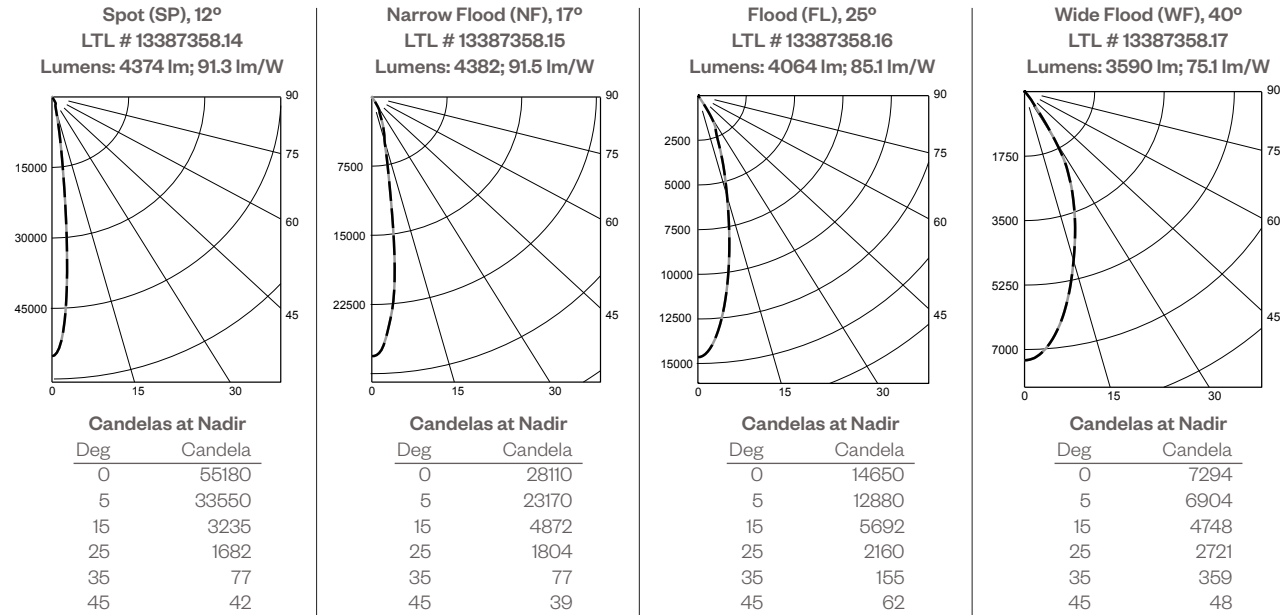
MULTIPLYING FACTORS: (Multiplying Factor is based on 3000K-83 120V IES file on website)

CCT:	2700K-83	3000K-83	3500K-83	4000K-83
Factor:	0.96	1.0	1.02	1.04

Wattage:	33W	41W	48W
Factor:	0.73	0.87	1.0

CCT:	2200K-90+	2700K-90+	3000K-90+	3500K-90+	4000K-90+	CRISP	3CLA
Factor:	0.71	0.80	0.83	0.87	0.90	0.65	0.75

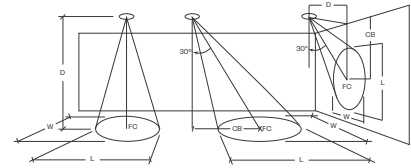
48W LED, 3000K-83



APPLICATION DATA:

Notes and Definitions:

- Beam spread is to 50% center beam candlepower (CBCP).
- D=Distance to floor or wall.
- FC=Footcandles on floor or wall at center beam aiming location.
- L=Effective Visual Beam length in feet (50% of maximum footcandle level).
- W=Effective Visual Beam width in feet (50% of maximum footcandle level).
- CB=Distance across or down to center beam location.



	0° Aiming Angle Horizontal Footcandles				30° Aiming Angle Horizontal Footcandles				30° Aiming Angle Vertical Footcandles				60° Aiming Angle Vertical Footcandles						
	D	FC	L	W	D	FC	L	W	CB	D	FC	L	W	CB	D	FC	L	W	CB
SPOT	5.0'	2204	1.1	1.1	5.0'	1421	1.3	1.2	3.0	3.0'	827	2.3	1.2	5.0	3.0'	2775	1.2	1.1	2.0
	7.5'	980	1.4	1.4	7.5'	621	2.2	1.6	4.0	4.0'	460	3.0	1.4	6.0	4.0'	1999	1.3	1.1	2.0
	10.0'	552	2.0	2.0	10.0'	350	2.8	2.5	6.0	5.0'	310	3.6	1.8	8.0	5.0'	1377	1.4	1.2	3.0
	12.5'	354	2.7	2.7	12.5'	234	3.4	3.0	7.0	6.0'	208	4.5	2.5	10.0	6.0'	890	2.0	1.3	3.0
NARROW FLOOD	5.0'	1126	1.4	1.4	5.0'	726	2.0	1.6	3.0	3.0'	454	3.1	1.5	4.0	3.0'	1622	1.5	1.2	2.0
	7.5'	501	2.4	2.4	7.5'	335	3.0	2.7	4.0	4.0'	270	3.9	2.1	6.0	4.0'	1148	1.7	1.3	2.0
	10.0'	282	3.1	3.1	10.0'	182	4.0	3.4	6.0	5.0'	175	4.8	2.8	7.0	5.0'	709	2.2	1.6	3.0
	12.5'	181	3.7	3.7	12.5'	121	4.9	4.3	7.0	6.0'	121	5.9	3.3	9.0	6.0'	511	2.4	1.9	3.0
FLOOD	5.0'	587	2.1	2.1	5.0'	379	2.9	2.6	3.0	3.0'	279	3.9	2.3	4.0	3.0'	879	2.2	1.5	2.0
	7.5'	261	3.2	3.2	7.5'	177	4.3	3.6	4.0	4.0'	167	5.0	3.1	5.0	4.0'	619	2.2	1.9	2.0
	10.0'	147	4.2	4.2	10.0'	99	5.4	4.8	5.0	5.0'	99	6.4	3.8	7.0	5.0'	370	2.9	2.6	3.0
	12.5'	95	5.3	5.3	12.5'	63	6.8	6.0	7.0	6.0'	71	8.0	4.5	8.0	6.0'	276	3.3	3.0	3.0
WIDE FLOOD	5.0'	293	3.3	3.3	5.0'	201	3.9	3.6	2.0	3.0'	188	3.9	3.0	3.0	3.0'	534	2.4	2.2	1.0
	7.5'	130	4.8	4.8	7.5'	90	5.9	5.4	3.0	4.0'	106	4.8	4.0	4.0	4.0'	321	3.1	3.0	2.0
	10.0'	74	6.4	6.4	10.0'	76	6.9	6.9	5.0	5.0'	68	6.4	5.0	5.0	5.0'	205	3.9	3.6	2.0
	12.5'	47	7.9	7.9	12.5'	95	8.7	8.7	6.0	6.0'	48	7.6	6.1	6.0	6.0'	143	4.7	4.4	3.0

SPEQ-L

Large Cylinder Track Head



PROJECT:

TYPE:

FIXTURE DATA: (Complete photometric data (.ies format) available upon request)

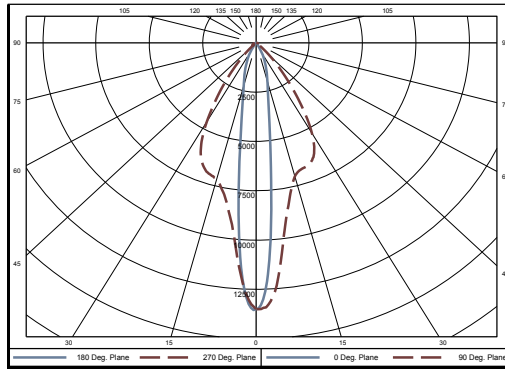
MULTIPLYING FACTORS: (Multiplying Factor is based on 3000K-83 120V IES file on website)

Wattage:	33W	41W	48W
Factor:	0.73	0.87	1.0

CCT:	2700K-83	3000K-83	3500K-83	4000K-83
Factor:	0.96	1.0	1.02	1.04

CCT:	2200K-90+	2700K-90+	3000K-90+	3500K-90+	CRISP	3CLA
Factor:	0.71	0.80	0.83	0.87	0.65	0.75

Linear Spread (LS), 40° x 13°
LTL # 13387358.18
Lumens: 3588 lm



ZONAL LUMEN SUMMARY

Zone	Lumens	%Fixt
0-40	3167	88.3
0-60	3445	96.0
0-90	3588	100.0
90-180	0	0.0

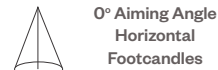
Luminaire Efficacy = 75 lm/W

APPLICATION DATA:

10' mounting height

2	3	3	4	4	5	6	6	6	6	5	4	4	3	3	2
3	4	5	6	7	8	9	9	9	8	7	6	5	4	3	3
4	5	7	9	10	12	14	15	14	12	11	9	7	6	4	4
7	9	11	14	17	20	24	25	24	21	18	15	12	9	7	6
12	16	21	25	30	37	48	53	47	39	32	27	22	17	12	9
15	22	30	37	43	54	73	87	80	63	50	42	35	26	18	13
15	21	29	37	43	53	70	87	86	68	52	43	36	28	19	12
11	14	19	24	29	35	44	54	56	46	36	29	24	19	14	9
6	8	11	14	17	20	24	27	27	23	19	16	13	10	8	5
4	5	7	9	10	12	14	15	14	12	10	8	6	5	4	3
3	4	5	6	7	8	9	10	10	9	8	7	5	4	3	3
2	3	4	4	5	6	6	7	6	6	5	4	3	3	2	2

Footcandles on Floor



[- - -] = Approximate 50% visual beam

8' mounting height

2	2	2	3	3	3	4	4	3	3	3	3	2	2	1	
2	3	4	4	5	7	7	8	7	6	5	4	4	3	2	2
3	4	5	7	9	12	14	15	14	12	10	8	6	4	3	2
4	6	9	12	16	21	26	28	26	22	18	14	10	7	4	3
7	11	18	26	33	43	57	66	58	46	37	29	20	12	7	5
9	16	27	41	53	68	95	116	106	81	63	49	34	21	11	7
9	14	25	38	52	66	89	115	114	89	66	51	37	23	12	6
7	9	15	23	32	40	54	66	69	56	42	32	24	16	9	5
4	5	8	12	16	20	25	29	30	25	20	16	11	8	5	3
3	4	5	7	9	12	14	15	16	14	11	9	7	5	3	2
2	3	3	4	5	6	8	8	8	7	5	4	3	2	2	1
2	2	3	3	3	4	4	4	4	4	3	3	2	2	1	1

6' mounting height

1	1	2	2	2	3	3	3	2	2	2	2	2	2	1	1
1	2	2	3	4	4	5	5	4	4	4	3	2	2	2	1
2	2	3	5	7	9	11	12	11	9	7	5	4	3	2	2
2	3	5	9	14	20	26	29	27	22	15	10	6	4	2	2
3	5	11	21	35	50	72	85	74	55	40	24	12	6	3	2
3	6	16	34	59	87	128	163	149	109	76	48	24	10	4	2
3	6	13	29	54	82	118	159	161	121	83	54	28	12	5	2
3	4	8	15	28	47	61	82	89	70	48	32	18	8	4	2
2	3	5	7	12	18	25	30	31	26	19	13	8	5	3	2
2	2	3	4	6	8	11	13	13	12	9	6	4	3	2	2
1	2	2	3	4	4	5	5	5	5	4	4	3	2	2	1
1	1	2	2	2	3	3	3	3	3	2	2	2	2	1	1

SPEQ-L

Large Cylinder Track Head



PROJECT:

TYPE:

DIMMING COMPATIBILITY:

Amerlux® Speq fixtures are compatible with all major dimming protocols prevalent in the United States. Please see below for general compatibilities and wiring diagrams. Amerlux recommends testing your unique dimming configuration as the exact full configuration (Dimmer, Fixture Quantity, Voltage, etc) may affect dimming performance.

--- NOTE: INFORMATION BELOW IS FOR WIRED DIMMERS ONLY. FOR WIRELESS DIMMERS, CONSULT FACTORY ---

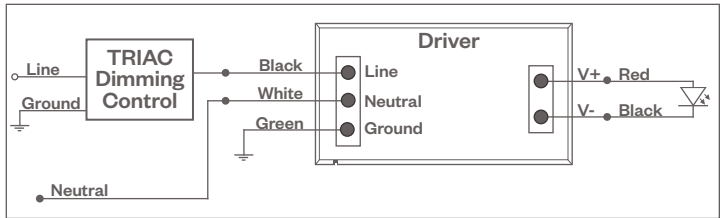
TRIAC (Forward Phase) DIMMING (Standard)

Utilizes “Standard” incandescent dimmers that are in wide use in installations across the US. Best for retrofit applications where TRIAC dimmers are installed.

Notes:

- 120VAC or 277VAC*
- Dims down to less than 5% light output (most cases)
- Consult Dimming manufacturer for installation instructions - DO NOT SHARE NEUTRALS!
- Must meet dimmer Minimum Load Requirements per dimming manufacturer

TRIAC Wiring Diagram



Compatible Dimmers†:

Wall Box (Incandescent Style, Wattage as required)

Lutron “Diva”
Lutron “Nova-T”
Lutron “Maestro”
Lutron “Vareo”
Lutron “Skylark”

Central System

Lutron “GP” Panel
Lutron Grafik Eye QS

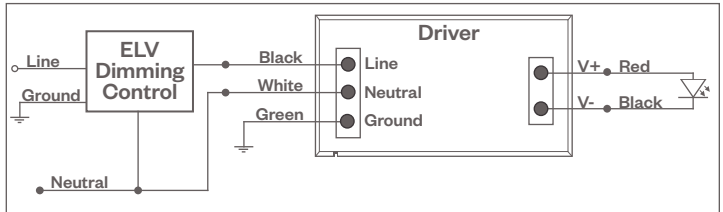
ELV - Electronic Low Voltage (Reverse Phase) DIMMING (Standard)

Utilizes specialized “ELV” dimmers.

Notes:

- 120VAC or 277VAC*
- Dims down to less than 5% light output (most cases)
- Consult Dimming manufacturer for installation instructions - DO NOT SHARE NEUTRALS!
- Must meet dimmer Minimum Load Requirements

ELV Wiring Diagram



Compatible Dimmers†:

Wall Box (ELV Style)

Lutron “Diva”	Leviton “Surslide”
Lutron “Nova-T”	Leviton “Vizio”
Lutron “Maestro”	
Lutron “Vareo”	
Lutron “Skylark”	

Central System

Lutron “GP” Panel with PHPM-PA Interface
Lutron Grafik Eye QS with PHPM-PA Interface

Notes:

- * Driver is 277VAC dimmable with appropriate dimmer (by others). All provided wiring diagrams show 120VAC wiring colors and method. Please refer to 277VAC dimmer installation instructions for 277VAC wiring diagrams.
- † The absence of a dimmer from the lists above does not imply incompatibility. Please consult factory for compatibility inquiries.

PROJECT:

TYPE:

ENERGY STAR APPROVED MODEL NUMBERS:



Certificate of Conformance

Energy Efficiency Certification

UL conducted an independent evaluation on behalf of:

Amerlux Global Lighting Solutions
178 Bauer Dr., Oakland, NJ 07436

for the following products:

- Directional Luminaires
- Brand: Amerlux
- Model: See Appendix A

This product meets all of the necessary qualifications pursuant to:

ENERGY STAR®: Program Requirements For Luminaires, Version 2.0

2018-01-26

Certification Date

N/A

Certification Revision Date

David P. ...

Issued by

11948772

UL Product Number

90-V5-F0419, Version 6.0. This is to certify that representative samples of the Certified Product(s) listed above have been investigated by UL to the Standard(s) indicated on this certificate, in accordance with the UL Global Services Agreement and the EEC Terms & Conditions ("Agreement"). The Certificate Holder is entitled to use the UL Energy Verified Mark for the Certified Product(s) listed on the certificate and manufactured at the production site(s) covered by the UL Test Report, in accordance with the terms of the Agreement. This Certificate shall remain valid unless a Standard identified on this Certificate is amended or withdrawn prior to that date or there is a non-compliance with the Agreement.

Appendix A

Model Name	Model Number	Family Model(s) - Additional Model Number
SPEQ-L	SPEQ-L-A17-48-**-***-###-**-279-LE/TE	SPEQ-L-A17-48-**-***-###-**-309-LE/TE
		SPEQ-L-A17-48-**-***-###-**-359-LE/TE
		SPEQ-L-A17-48-**-***-###-**-409-LE/TE
		SPEQ-L-A17-48-**-***-###-**-27-LE/TE
		SPEQ-L-A17-48-**-***-###-**-30-LE/TE
		SPEQ-L-A17-48-**-***-###-**-35-LE/TE
		SPEQ-L-A17-48-**-***-###-**-40-LE/TE
		SPEQ-L-A17-48-**-***-###-**-CRISP-LE/TE
SPEQ-L	SPEQ-L-A17-41-**-***-###-**-279-LE/TE	SPEQ-L-A17-41-**-***-###-**-309-LE/TE
		SPEQ-L-A17-41-**-***-###-**-359-LE/TE
		SPEQ-L-A17-41-**-***-###-**-409-LE/TE
		SPEQ-L-A17-41-**-***-###-**-27-LE/TE
		SPEQ-L-A17-41-**-***-###-**-30-LE/TE
		SPEQ-L-A17-41-**-***-###-**-35-LE/TE
		SPEQ-L-A17-41-**-***-###-**-CRISP-LE/TE
		SPEQ-L-A17-41-**-***-###-**-CRISP-LE/TE
SPEQ-L	SPEQ-L-A17-33-**-***-###-**-279-LE/TE	SPEQ-L-A17-33-**-***-###-**-309-LE/TE
		SPEQ-L-A17-33-**-***-###-**-359-LE/TE
		SPEQ-L-A17-33-**-***-###-**-409-LE/TE
		SPEQ-L-A17-33-**-***-###-**-27-LE/TE
		SPEQ-L-A17-33-**-***-###-**-30-LE/TE
		SPEQ-L-A17-33-**-***-###-**-35-LE/TE
		SPEQ-L-A17-33-**-***-###-**-40-LE/TE
		SPEQ-L-A17-33-**-***-###-**-CRISP-LE/TE