

PROJECT:

TYPE:

Features

Small in size, high in output, Murro® out performs others, time after time. With unique optics, code-ready dimmability, and availability in vertical and horizontal mounting options, Murro reduces your costs dramatically.

Product Overview

Type: Track Wall Wash
 Wattage: 19W, 31W
 Color Temp: 2700K, 3000K, 3500K, 4000K
 CRI: 83 typ. or 90+ typ.
 CrispWhite & Class A LED's available
 Dimming: 19W: TRIAC & ELV, 5% Dim, 120/277VAC
 31W: TRIAC & ELV, 5% Dim, 120VAC

International version available, see website for spec sheet.



Certifications



Fixture Summary

Performance Data

| Watts | Delivered Lumens | LPW | Color Temp-CRI |
|-------|------------------|-------|----------------|
| 19 | 2478 | 130.4 | 3000K-83 |
| 31 | 3673 | 118.4 | 3000K-83 |

Data is based on 3000K-83 120V IES files available on website.

Electrical Data

| Voltage | 19W | | 31W | |
|---------|--------------|------|--------------|------|
| | System Watts | Amps | System Watts | Amps |
| 120V | 19 | 0.16 | 31 | 0.26 |
| 277V | 19 | 0.07 | 31 | 0.11 |

Electronic constant current LED driver.

| | |
|-----------------|--------------|
| PROJECT: | TYPE: |
|-----------------|--------------|

Ordering Information


| 1 | Model | 2 | Wattage | 3 | Finish |
|---|-------------------|---|---------|---|--|
| | MURV (vertical) | | 19 | | WT white texture |
| | MURH (horizontal) | | 31 | | BT black texture |
| | | | | | ST silver texture |
| | | | | | <i>Other finishes, consult factory</i> |

| 4 | Mounting | 5 | Voltage | 6 | Beam Spread |
|---|---|---|------------|--------------|-------------|
| | <u>Vertical</u> TN1 Global GES 1cir/H-Style, 120V TEK Global TEK 2cir/2neut, 120V TN3 Global XTS 3cir, 120V TN2 Global HTEK 2cir/2neut, 277V CT J-Style 1 or 2 cir, 120V LOL L-Style 1cir, 120V CPR Capri 1cir, 120V C canopy, 120V or 277V CCL2-SOP C-clamp, black, with straight cord*, 6' 120V CCL2-CCP C-clamp, black, with coil cord*, 5' 120V <i>Notes: * Black cord used for BT & ST finish. White cord used for WT finish.</i> | <u>Horizontal</u> TS1 Global GES 1cir/H-Style, 120V TEK Global TEK 2cir/2neut, 120V TN3 Global XTS 3cir, 120V TN2 Global HTEK 2cir/2neut, 277V TJ1 J-Style 1cir, 120V TL1 L-Style 1cir, 120V TP1 Capri 1cir, 120V | 120 277 | WW wall wash | |

| 7 | Color Temp | 8 | Driver | 9 | Options/Accessories |
|---|--|---|---|--|---------------------|
| | 83 CRI 90+ CRI 27 2700K-83 279 2700K-90+ CRISP CrispWhite 30 3000K-83 309 3000K-90+ 3CLA 3K Class A 35 3500K-83 359 3500K-90+ 40 4000K-83 409 4000K-90+ | | <u>19W</u> LE/TE TRIAC/ELV dimming, 120/277V <u>31W</u> LE/TE TRIAC/ELV dimming, 120V only ND non-dimming, 277V only | VISU visor up (finish matches fixture finish) VISD visor down (finish matches fixture finish) | |

PROJECT:

TYPE:

Specifications

Application

Retail, Grocery and Commercial wall wash lighting

Construction

Vertical:

Extruded aluminum driver housing
Die-cast aluminum fixture head, front door, heat sink and driver housing end plates.
No exposed wiring

Horizontal:

Die-cast fixture housing, heat sink and driver enclosure
No exposed wiring

Optical

0-90° tilt, 360° rotation
Wall wash beam spread

LED

Color Temp Options: 2200K, 2700K, 3000K, 3500K, 4000K,
CRISP, Class A

CRI: 83 typ. or 90+ typ.

CrispWhite* and Class A** LEDs available

R9 Values: 11 (83 CRI), 55 (90+ CRI)

Binning: 3-step MacAdam ellipse (SDMC)

Life: 50,000+ hrs, > 70% of initial lumens at 50,000 hrs

* *CrispWhite: CrispWhite Technology delivers the warmth of colors expected from a high 90 CRI solution but also creates the natural crisp white color that is pleasing to the eye. It creates the most impactful lighting ever available, by revealing the richest whites and vibrant colors that pop.*

** *Class A LED: Class A LED's have a CRI > 80 and a GAI > 80. CRI defines color "Naturalness" and GAI defines color "Saturation." Both being high delivers rich colors and pure whites.*

Electrical

Wattage: 19W, 31W

Electronic constant current LED driver, 120/277VAC input

This product complies with IEEE C62.41 for surge endurance up to 2.5KV. Amerlux® recommends using additional surge protection with this unit (supplied by others), surge and over voltage damage is not covered under warranty.

Driver

LE/TE - Leading Edge (Triac, Forward Phase) or Trailing Edge (ELV, Reverse Phase) autosensing driver dims down to 5% on most dimming systems.

See dimming pages for more information.

Finish

Powder coat paint.

Standard Colors: White Texture, Black Texture, Silver Texture

Consult factory for custom RAL powder coat finishes

Mounting (options below depending on driver configuration)

Track, canopy and c-clamp.

Note: Recommend track fixture mounting to horizontal surface mounted/ pendant mounted track only

Certifications

Approved to UL standards as tested by CSA.

Intended for indoor use only.

Warranty

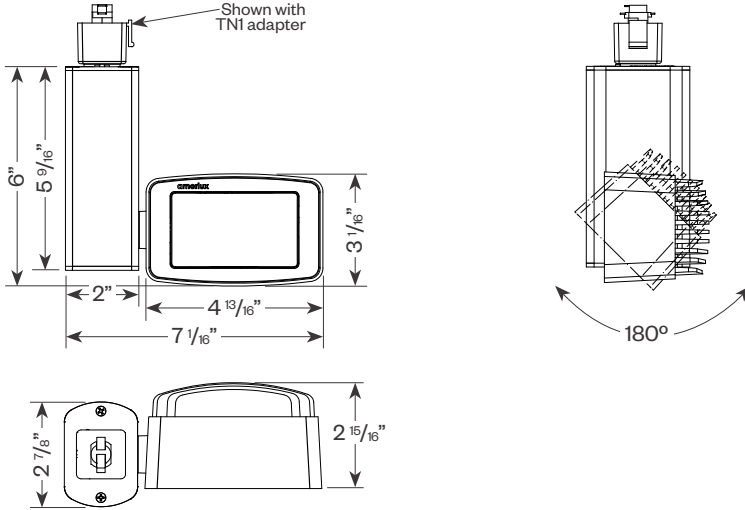
5 year limited warranty

PROJECT:

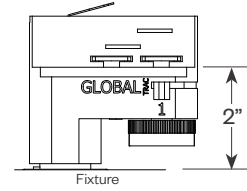
TYPE:

Product Details

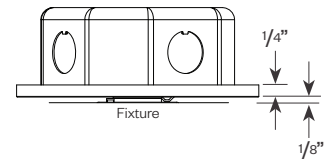
Vertical



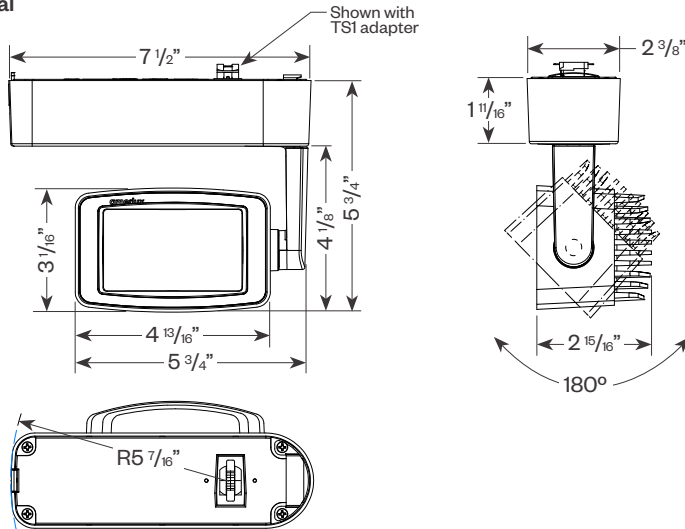
TEK/TN3/TN2



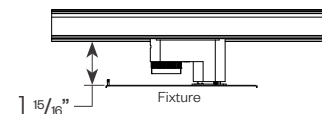
Canopy



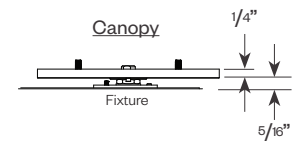
Horizontal



TEK/TN2/TN3

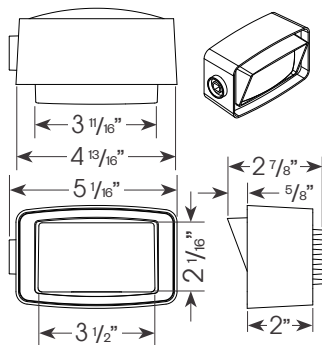


Canopy

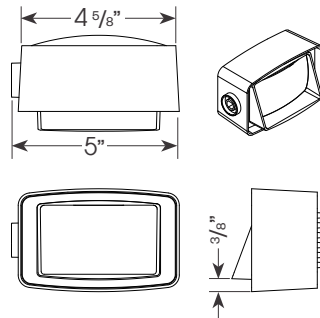


Accessories

Visor (Up)



Visor (Down)



PROJECT: _____ **TYPE:** _____

Performance Data

Multiplying Factors: (Multiplying Factor is based on 3000K-83 120V IES file on website)

| CCT: | 2700K-83 | 3000K-83 | 3500K-83 | 4000K-83 |
|---------|----------|----------|----------|----------|
| Factor: | 0.96 | 1.0 | 1.02 | 1.04 |

| Wattage: | 19W | 31W |
|----------|------|-----|
| Factor: | 0.68 | 1.0 |

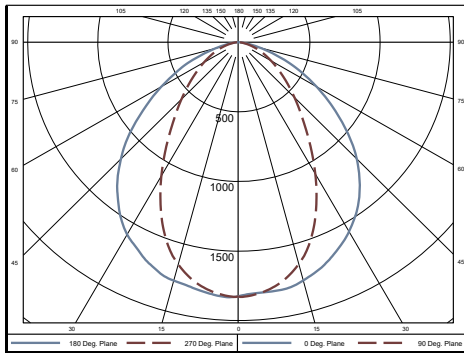
| CCT: | 2700K-90+ | 3000K-90+ | 3500K-90+ | 4000K-90+ | CRISP | 3CLA |
|---------|-----------|-----------|-----------|-----------|-------|------|
| Factor: | 0.80 | 0.83 | 0.87 | 0.90 | 0.65 | 0.75 |

MURRO LED WALL WASH 31W 3000K-83

Source: 1 white LED array Lumens: 3673

Track Mounting

LTL# 14724077.01



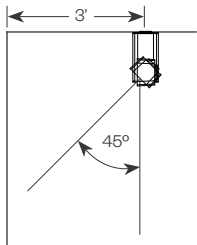
ZONAL LUMEN SUMMARY

| Zone | Lumens | %Fixt |
|--------|--------|-------|
| 0-40 | 2063 | 56.2 |
| 0-60 | 3189 | 86.8 |
| 0-90 | 3673 | 100.0 |
| 90-180 | 0 | 0.00 |

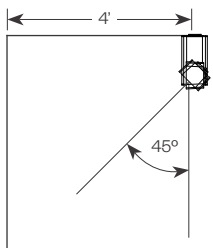
Efficacy: 118.4 lm/W

Application Data (footcandles on wall)

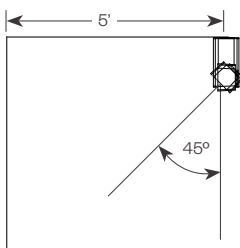
Footcandles are average and rounded off. Data for multiple units are based on a minimum of five units.



| Distance from ceiling | 6' | | | | | | | | |
|-----------------------|------|------|------|------|------|------|------|------|------|
| | 0.5' | 1.5' | 2.5' | 3.5' | 4.5' | 5.5' | 6.5' | 7.5' | 8.5' |
| 0.5' | 145 | 150 | 82 | 44 | 42 | 76 | 156 | 151 | |
| 1.5' | 138 | 142 | 91 | 52 | 50 | 87 | 139 | 142 | |
| 2.5' | 100 | 101 | 77 | 52 | 50 | 74 | 100 | 102 | |
| 3.5' | 66 | 67 | 57 | 44 | 44 | 56 | 67 | 67 | |
| 4.5' | 45 | 45 | 41 | 37 | 36 | 41 | 45 | 46 | |
| 5.5' | 32 | 32 | 31 | 29 | 29 | 31 | 33 | 33 | |
| 6.5' | 24 | 24 | 24 | 23 | 24 | 24 | 25 | 25 | |
| 7.5' | 19 | 19 | 19 | 19 | 19 | 19 | 20 | 20 | |
| 8.5' | 14 | 14 | 14 | 14 | 14 | 14 | 14 | 14 | |



| Distance from ceiling | 8' | | | | | | | | | | |
|-----------------------|------|------|------|------|------|------|------|------|------|----|--|
| | 0.5' | 1.5' | 2.5' | 3.5' | 4.5' | 5.5' | 6.5' | 7.5' | 8.5' | | |
| 0.5' | 85 | 85 | 58 | 34 | 23 | 24 | 34 | 58 | 85 | 85 | |
| 1.5' | 88 | 88 | 65 | 40 | 28 | 28 | 40 | 65 | 88 | 88 | |
| 2.5' | 73 | 73 | 59 | 40 | 30 | 29 | 40 | 58 | 73 | 73 | |
| 3.5' | 55 | 55 | 48 | 36 | 29 | 29 | 36 | 48 | 55 | 55 | |
| 4.5' | 41 | 41 | 37 | 31 | 26 | 26 | 31 | 37 | 41 | 41 | |
| 5.5' | 30 | 30 | 28 | 25 | 23 | 23 | 25 | 29 | 31 | 31 | |
| 6.5' | 23 | 23 | 22 | 21 | 20 | 20 | 21 | 23 | 24 | 24 | |
| 7.5' | 15 | 16 | 16 | 15 | 15 | 15 | 16 | 16 | 16 | 16 | |
| 8.5' | 13 | 13 | 13 | 13 | 13 | 13 | 13 | 14 | 14 | 14 | |



| Distance from ceiling | 8' | | | | | | | | | | |
|-----------------------|------|------|------|------|------|------|------|------|------|----|--|
| | 0.5' | 1.5' | 2.5' | 3.5' | 4.5' | 5.5' | 6.5' | 7.5' | 8.5' | | |
| 0.5' | 58 | 58 | 46 | 32 | 25 | 25 | 32 | 46 | 58 | 58 | |
| 1.5' | 62 | 62 | 51 | 37 | 29 | 29 | 37 | 51 | 62 | 62 | |
| 2.5' | 57 | 57 | 49 | 38 | 31 | 31 | 38 | 49 | 57 | 57 | |
| 3.5' | 48 | 48 | 43 | 36 | 30 | 30 | 36 | 43 | 48 | 48 | |
| 4.5' | 38 | 38 | 36 | 31 | 28 | 28 | 31 | 36 | 38 | 38 | |
| 5.5' | 30 | 30 | 29 | 27 | 25 | 25 | 27 | 29 | 31 | 31 | |
| 6.5' | 25 | 25 | 24 | 23 | 22 | 22 | 23 | 24 | 25 | 25 | |
| 7.5' | 20 | 20 | 20 | 20 | 19 | 19 | 20 | 20 | 21 | 21 | |
| 8.5' | 17 | 17 | 17 | 17 | 17 | 17 | 17 | 17 | 17 | 17 | |

| | |
|-----------------|--------------|
| PROJECT: | TYPE: |
|-----------------|--------------|

Dimming Compatibility

Amerlux® Murro® fixtures are compatible with all major dimming protocols prevalent in the United States. Please see below for general compatibilities and wiring diagrams. Amerlux recommends testing your unique dimming configuration as the exact full configuration (*Dimmer, Fixture Quantity, Voltage, etc*) may affect dimming performance.

--- NOTE: INFORMATION BELOW IS FOR WIRED DIMMERS ONLY. FOR WIRELESS DIMMERS, CONSULT FACTORY ---

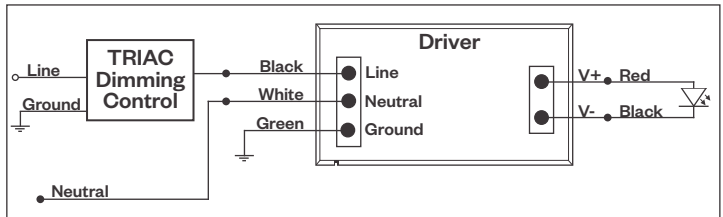
TRIAC (Forward Phase) Dimming

Utilizes standard TRIAC dimmers that are in wide use in installations across the US. Best for retrofit applications where TRIAC dimmers are installed.

Notes:

- 120VAC or 277VAC*
- Dims down to 5% light output (*most cases*)
- Consult Dimming manufacturer for installation instructions - **DO NOT SHARE NEUTRALS!**
- Must meet dimmer Minimum Load Requirements per dimming manufacturer

TRIAC Wiring Diagram



| Compatible Dimmers†: | |
|-------------------------|----------------------|
| Wall Box (TRIAC 120VAC) | Central System |
| Lutron "Diva" | Lutron "GP" Panel |
| Lutron "Nova-T" | Lutron Grafik Eye QS |
| Lutron "Maestro" | |
| Lutron "Skylark" | |

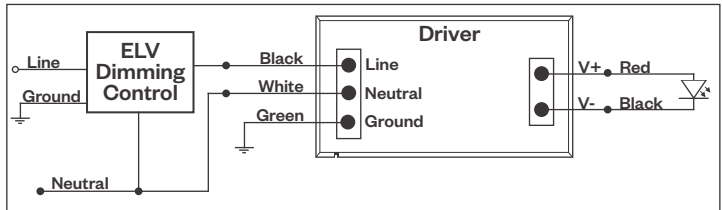
ELV - Electronic Low Voltage (Reverse Phase) Dimming

Utilizes specialized "ELV" dimmers.

Notes:

- 120VAC or 277VAC*
- Dims down to 5% light output (*most cases*)
- Consult Dimming manufacturer for installation instructions - **DO NOT SHARE NEUTRALS!**
- Must meet dimmer Minimum Load Requirements per dimming manufacturer

ELV Wiring Diagram



| Compatible Dimmers†: | | |
|-----------------------|---------------------------|--|
| Wall Box (ELV 120VAC) | Wall Box (ELV 277VAC) | Central System |
| Lutron "Diva" | Leviton Revoir II AWSMT-E | Lutron "GP" Panel with PHPM-PA 120/277VAC |
| Lutron "Nova-T" | | Lutron Grafik Eye QS with PHPM-PA 120/277VAC |
| Lutron "Maestro" | | |
| Lutron "Skylark" | | |
| Leviton "Surslide" | | |
| Leviton "Vizio" | | |

Notes:
 * Driver is 277VAC dimmable with appropriate dimmer (*by others*). All provided wiring diagrams show 120VAC wiring colors and method. Please refer to 277VAC dimmer installation instructions for 277VAC wiring diagrams.
 † The absence of a dimmer from the lists above does not imply incompatibility. Please consult factory for compatibility inquiries.