

PROJECT:

TYPE:

Features

The Murro® Round Surface Canopy is a high performing alternative for designers. The Murro® LED module sits on the canopy plate with a single arm yoke, giving designers the aiming flexibility you have with a track head. Small in size, high in output, Murro outperforms others, time after time. With unique optics, and code-ready dimmability, Murro reduces your costs dramatically. It's a light so powerful, your walls have never looked better.



Product Overview

Type: Surface Wall Wash
 Wattage: 19W, 31W
 Color Temp: 2700K, 3000K, 3500K, 4000K
 CRI: 83 typ. or 90+ typ.
 CrispWhite & Class A LED's available
 Dimming: TRIAC & ELV, 5% Dim, 120/277VAC
 Lutron LDE1 Hi-lume® 1% Dim Soft-On/Fade-to-Black, 120/277VAC
 0-10V, 1% Dim, 120/277VAC

Certifications



Fixture Summary

Performance Data

Watts	Delivered Lumens	LPW	Color Temp-CRI
19	2478	130.4	3000K-83
31	3673	118.4	3000K-83

Data is based on 3000K-83 120V IES files available on website.

Electrical Data

Voltage	19W		31W	
	System Watts	Amps	System Watts	Amps
120V	19	0.16	31	0.26
277V	19	0.07	31	0.11

Electronic constant current LED driver.

PROJECT:

TYPE:

Ordering Information - Housing/Frame

1	2	3	4	5
1 Model For New Construction MUR-RSC-R-NC-A17 (New Construction) MUR-RSC-R-CP-A17 (Chicago Plenum (CCEA) housing) MUR-RSC-R-IC-A17 (Insulated Ceiling/air tight housing) For Existing Ceilings MUR-RSC-R-REM-A17 (Remodeler)	2 Wattage 19 31	3 Voltage 120 277 120/277 (for use with IC housing only)		
4 Driver (for non-dimming, select LE/TE option) LE/TE* TRIAC/ELV dimming HILUME-H-ECO Lutron LDE1 Hi-lume® 1% dim Soft-On/Fade-to-Black O-10V* 0-10V dimming, 1% dim			5 Options/Accessories EM emergency battery pack with remote test switch (not available for use with REM, CP or IC options) HB49 hanger bars from min 29" to max 49" (not available for use with REM options) Note: 26" hanger bars are included as standard. Choose HB49 option above for larger mounting spaces only.	

Ordering Information - Trim

MUR-RSC-A17		WW		
1	2	3	4	5
1 Model MUR-RSC-A17	2 Finish WT white texture BT black texture ST silver texture Other finishes, consult factory	3 Beam Spread WW wall wash		
4 Color Temp 83 CRI 90+ CRI 27 2700K-83 279 2700K-90+ CRISP CrispWhite 30 3000K-83 309 3000K-90+ 3CLA 3K Class A 35 3500K-83 359 3500K-90+ 40 4000K-83 409 4000K-90+		5 Options/Accessories VISU visor up (finish matches fixture finish) VISD visor down (finish matches fixture finish)		

PROJECT:

TYPE:

Specifications

Application

Retail and commercial wall wash lighting

Construction

20 ga. galvanized steel frame
18 ga. galvanized steel splice housing and hanger brackets (*not for Remodeler version*)
Die-cast optical housing and heat sink

Optical

0-180° tilt, 360° rotation
Wall wash beam spread

LED

Color Temp Options: 2700K, 3000K, 3500K, 4000K, CRISP, Class A
CRI: 83 typ. or 90+ typ.

CrispWhite* or Class A** LED's available

R9 Values: 11 (83 CRI), 55 (92 CRI)

Binning: 3 MacAdam (SDCM)

Life: 50,000+ hrs, > 70% of initial lumens at 50,000 hrs

* *CrispWhite: CrispWhite Technology delivers the warmth of colors expected from a high 90 CRI solution but also creates the natural crisp white color that is pleasing to the eye. It creates the most impactful lighting ever available, by revealing the richest whites and vibrant colors that pop.*

** *Class A LED: Class A LED's have a CRI > 80 and a GAI > 80. CRI defines color "Naturalness" and GAI defines color "Saturation." Both being high delivers rich colors and pure whites.*

Electrical

Wattage: 19W, 31W

Electronic constant current LED driver, 120/277VAC input

This product complies with IEEE C62.41 for surge endurance up to 2.5KV. Amerlux® recommends using additional surge protection with this unit (supplied by others), surge and over voltage damage is not covered under warranty.

Driver

LE/TE - Leading Edge (*Triac, Forward Phase*) or Trailing Edge (*ELV, Reverse Phase*)

0-10V, and Lutron systems also available

See pages 7-8 for more dimming information

Finish

Powder coat paint

Consult factory for custom finishes

Mounting

For use in T-Grid or GB ceilings; max ceiling thickness 1"

Adjustable hanger bars included (14 ½" - 25" std.)

Optional **HB49** - hanger bars from min 29" to max 49" available

Consult Factory for thicker ceilings

Certifications

CSA listed to UL standards

IC/AT rated (*optional, not for Remodeler version*)

For indoor use only

Warranty

5 year limited warranty

Emergency Battery Pack (EM)

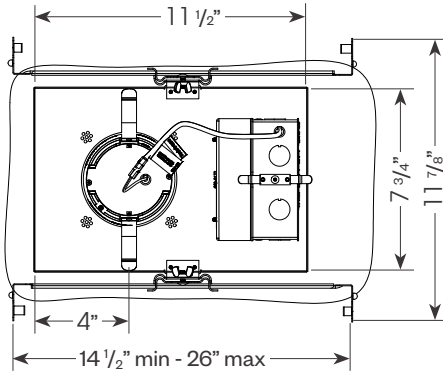
EM - emergency battery pack with remote test switch (*not for use with REM, CP or IC/AT options*)

PROJECT:

TYPE:

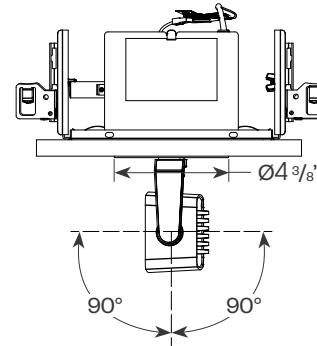
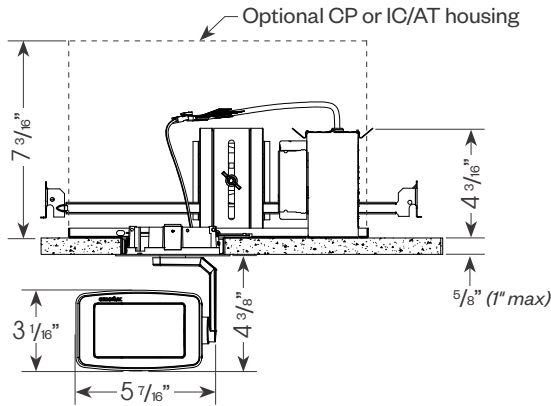
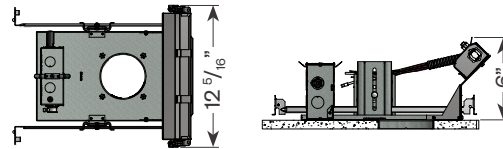
Product Details

Murro Round Surface Canopy (New Construction)



Ceiling cut out: 4" dia.

Emergency Battery Pack (EM) option

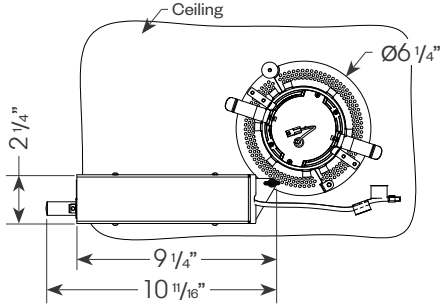


PROJECT:

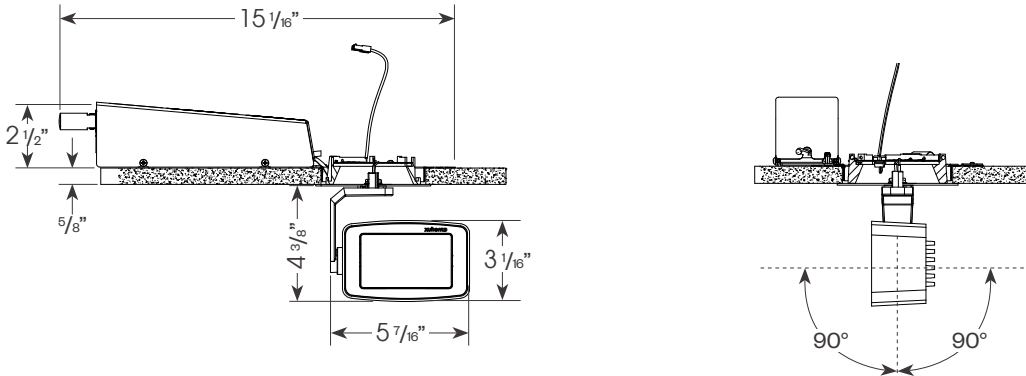
TYPE:

Product Details *(continued)*

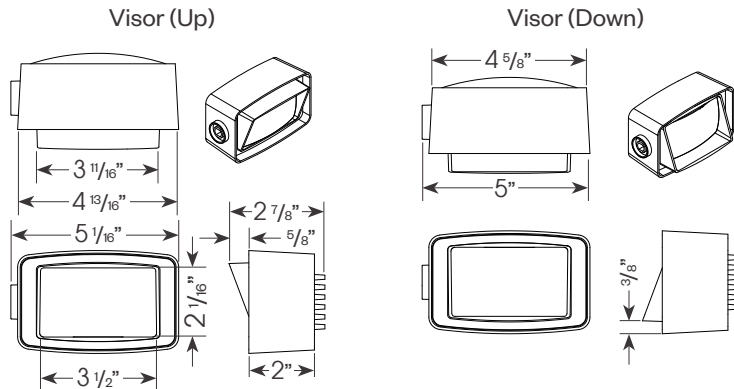
Murro Round Surface Canopy *(Remodeler)*



Ceiling cut out: 4" dia.



Accessories



PROJECT:

TYPE:

Performance Data

Multiplying Factors: (Multiplying Factor is based on 3000K-83 120V IES file on website)

CCT:	2700K-83	3000K-83	3500K-83	4000K-83
Factor:	0.96	1.0	1.02	1.04

Wattage:	19W	31W
Factor:	0.68	1.0

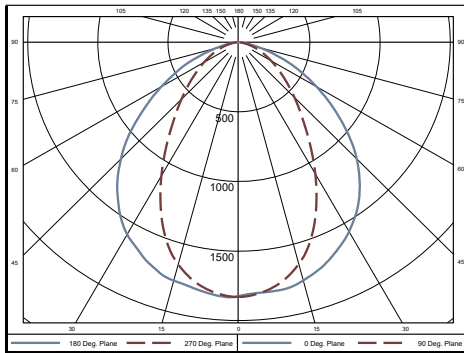
CCT:	2700K-90+	3000K-90+	3500K-90+	4000K-90+	CRISP	3CLA
Factor:	0.80	0.83	0.87	0.90	0.65	0.75

MURRO LED WALL WASH 31W 3000K-83

Source: 1 white LED array Lumens: 3673

Track Mounting

LTL# 14724077.01



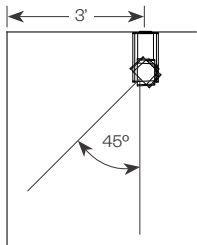
ZONAL LUMEN SUMMARY

Zone	Lumens	%Fixt
0-40	2063	56.2
0-60	3189	86.8
0-90	3673	100.0
90-180	0	0.00

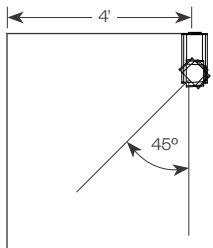
Efficacy: 118.4 lm/W

Application Data (footcandles on wall)

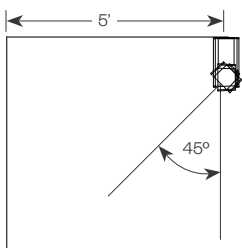
Footcandles are average and rounded off. Data for multiple units are based on a minimum of five units.



Distance from ceiling	6'								
	0.5'	1.5'	2.5'	3.5'	4.5'	5.5'	6.5'	7.5'	8.5'
0.5'	145	150	82	44	42	76	156	151	
1.5'	138	142	91	52	50	87	139	142	
2.5'	100	101	77	52	50	74	100	102	
3.5'	66	67	57	44	44	56	67	67	
4.5'	45	45	41	37	36	41	45	46	
5.5'	32	32	31	29	29	31	33	33	
6.5'	24	24	24	23	24	24	25	25	
7.5'	19	19	19	19	19	19	20	20	
8.5'	14	14	14	14	14	14	14	14	



Distance from ceiling	8'										
	0.5'	1.5'	2.5'	3.5'	4.5'	5.5'	6.5'	7.5'	8.5'		
0.5'	85	85	58	34	23	24	34	58	85	85	
1.5'	88	88	65	40	28	28	40	65	88	88	
2.5'	73	73	59	40	30	29	40	58	73	73	
3.5'	55	55	48	36	29	29	36	48	55	55	
4.5'	41	41	37	31	26	26	31	37	41	41	
5.5'	30	30	28	25	23	23	25	29	31	31	
6.5'	23	23	22	21	20	20	21	23	24	24	
7.5'	15	16	16	15	15	15	15	16	16	16	
8.5'	13	13	13	13	13	13	13	14	14	14	



Distance from ceiling	8'										
	0.5'	1.5'	2.5'	3.5'	4.5'	5.5'	6.5'	7.5'	8.5'		
0.5'	58	62	46	32	25	25	32	46	58	58	
1.5'	62	62	51	37	29	29	37	51	62	62	
2.5'	57	57	49	38	31	31	38	49	57	57	
3.5'	48	48	43	36	30	30	36	43	48	48	
4.5'	38	38	36	31	28	28	31	36	38	38	
5.5'	30	30	29	27	25	25	27	29	31	31	
6.5'	25	25	24	23	22	22	23	24	25	25	
7.5'	20	20	20	20	19	19	20	20	21	21	
8.5'	17	17	17	17	17	17	17	17	17	17	

PROJECT:

TYPE:

Dimming Compatibility

Amerlux® Murro® fixtures are compatible with all major dimming protocols prevalent in the United States. Please see below for general compatibilities and wiring diagrams. Amerlux recommends testing your unique dimming configuration as the exact full configuration (*Dimmer, Fixture Quantity, Voltage, etc*) may affect dimming performance.

--- NOTE: INFORMATION BELOW IS FOR WIRED DIMMERS ONLY. FOR WIRELESS DIMMERS, CONSULT FACTORY ---

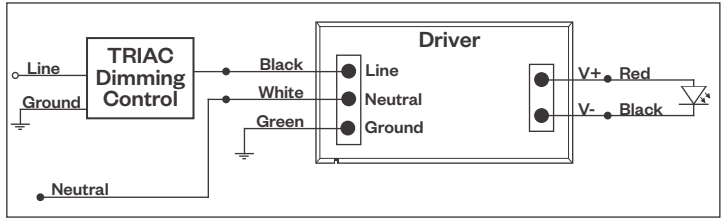
TRIAC (Forward Phase) Dimming

Utilizes standard TRIAC dimmers that are in wide use in installations across the US. Best for retrofit applications where TRIAC dimmers are installed.

Notes:

- 120VAC or 277VAC*
- Dims down to 5% light output (*most cases*)
- Consult Dimming manufacturer for installation instructions - **DO NOT SHARE NEUTRALS!**
- Must meet dimmer Minimum Load Requirements per dimming manufacturer

TRIAC Wiring Diagram



Compatible Dimmers†:	
Wall Box (TRIAC 120VAC)	Central System
Lutron "Diva"	Lutron "GP" Panel
Lutron "Nova-T"	Lutron Grafik Eye QS
Lutron "Maestro"	
Lutron "Skylark"	

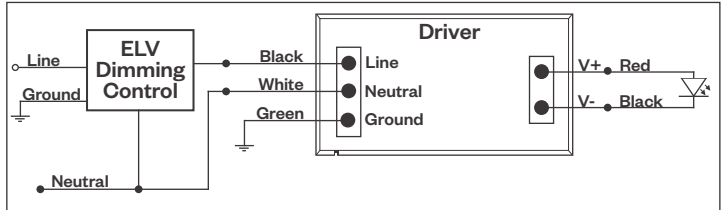
ELV - Electronic Low Voltage (Reverse Phase) Dimming

Utilizes specialized "ELV" dimmers.

Notes:

- 120VAC or 277VAC*
- Dims down to 5% light output (*most cases*)
- Consult Dimming manufacturer for installation instructions - **DO NOT SHARE NEUTRALS!**
- Must meet dimmer Minimum Load Requirements per dimming manufacturer

ELV Wiring Diagram



Compatible Dimmers†:		
Wall Box (ELV 120VAC)	Wall Box (ELV 277VAC)	Central System
Lutron "Diva"	Leviton Revoir II AWSMT-E	Lutron "GP" Panel with PHPM-PA 120/277VAC
Lutron "Nova-T"		Lutron Grafik Eye QS with PHPM-PA 120/277VAC
Lutron "Maestro"		
Lutron "Skylark"		
Leviton "Surslide"		
Leviton "Vizio"		

Notes:

* Driver is 277VAC dimmable with appropriate dimmer (*by others*). All provided wiring diagrams show 120VAC wiring colors and method. Please refer to 277VAC dimmer installation instructions for 277VAC wiring diagrams.

† The absence of a dimmer from the lists above does not imply incompatibility. Please consult factory for compatibility inquiries.

PROJECT:	TYPE:
-----------------	--------------

Dimming Compatibility

Amerlux® Murro® fixtures are compatible with all major dimming protocols prevalent in the United States. Please see below for general compatibilities and wiring diagrams. Amerlux recommends testing your unique dimming configuration as the exact full configuration (*Dimmer, Fixture Quantity, Voltage, etc*) may affect dimming performance.

--- NOTE: INFORMATION BELOW IS FOR WIRED DIMMERS ONLY. FOR WIRELESS DIMMERS, CONSULT FACTORY ---

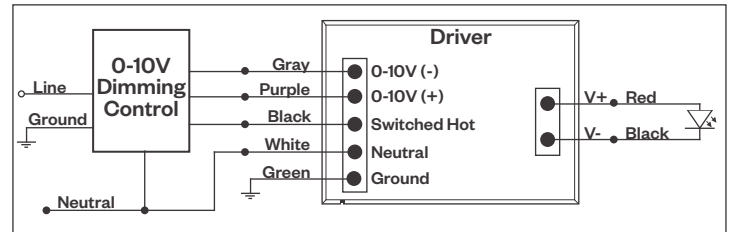
0-10V Dimming

Integrates into a variety of building management and daylighting controls

Notes:

- 120VAC or 277VAC*
- Dims down to 1% light output
- Requires interface to turn off power to driver
- Consult Dimming manufacturer for installation instructions - **DO NOT SHARE NEUTRALS!**

0-10V Wiring Diagram



Compatible Dimmers*:		Central System
Wall Box		
Lutron "Diva" - DVSTV	Leviton Renoir II 0-10V	Lutron Grafik Eye with GRX-TVI Interface

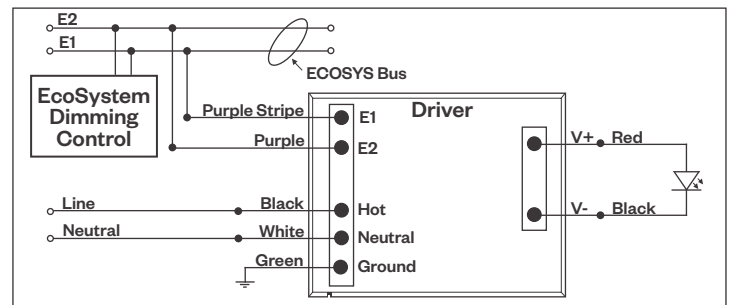
Lutron LDE1 Dimming

Integrates into Lutron EcoSystem building management

Notes:

- 120VAC or 277VAC*
- Dims down to 1% Soft-On/Fade-to-Black
- EcoSystem Control
- Consult Dimming manufacturer for installation instructions - **DO NOT SHARE NEUTRALS!**

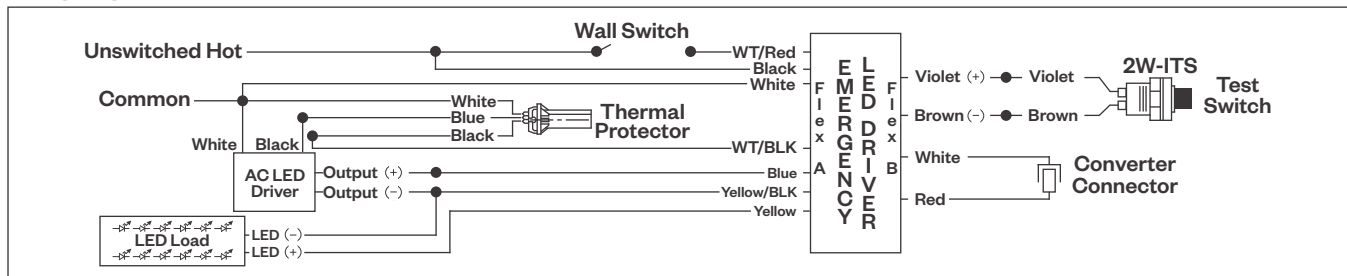
LDE1 (HILUME-H-ECO) EcoSystem Digital Control Wiring Diagram



Compatible Dimmers*:	
Lutron ECO System	Central System
Pow Pak Dimming Modules	Lutron EcoSystem compatible controls
Energi Savr Node	
Grafik Eye QS/Homeworks	
QS Control Unit	
Quantum Hub	
Homeworks QS/My Room	

Emergency Battery Pack

Wiring Diagram



- Notes:**
- * Driver is 277VAC dimmable with appropriate dimmer (*by others*). All provided wiring diagrams show 120VAC wiring colors and method. Please refer to 277VAC dimmer installation instructions for 277VAC wiring diagrams.
 - † The absence of a dimmer from the lists above does not imply incompatibility. Please consult factory for compatibility inquiries.