

Murro®

3.5" Round Surface Canopy Wall Wash



Features

The Murro® Round Surface Canopy is a high performing alternative for designers. The Murro® LED module sits on the canopy plate with a single arm yoke, giving designers the aiming flexibility you have with a track head. Small in size, high in output, Murro outperforms others, time after time. With unique optics, and code-ready dimmability, Murro reduces your costs dramatically. It's a light so powerful, your walls have never looked better.

Product Overview

Type:	Surface Wall Wash
Wattage:	19, 31
Lumen Output:	3673 max; up to 130 lm/W
Color Temp:	2700K, 3000K, 3500K, 4000K
CRI:	83 typ. (2700K, 3000K, 3500K, 4000K) 90+ typ. (2700K, 3000K, 3500K, 4000K) CrispWhite & Class A LED's available
Dimming:	TRIAC & ELV (120/277VAC) - 5% Dim Lutron LDE1 Hi-lume® 1% Soft-On/Fade-to-Black, 120/277VAC 0-10V (120/277VAC) - 1% Dim

PROJECT:

TYPE:

Fixture Summary *(see following pages for more information)*

Performance Chart

Watts	Delivered Lumens	LPW	Color Temp	CRI
19	2478	130.4	3000K	83
31	3673	118.4	3000K	83

Data is based on 3000K-83 120v IES files available on website

Electrical Data

	19W		31W	
	System Watts	Amps	System Watts	Amps
120V	19	0.16	31	0.026
277V	19	0.07	31	0.11

Electronic constant current LED driver



PROJECT:

TYPE:

Housing/Frame Ordering Information

	1	2	3	4	5
1 <u>Model</u>	<p><i>For New Construction</i> MUR-RSC-NC-A17[†] (New Construction) MUR-RSC-CP-A17[†] (Chicago Plenum (COEA) housing) MUR-RSC-IC-A17[†] (Insulated Ceiling/air tight housing)</p> <p><i>For Existing Ceilings</i> MUR-RSC-REM-A17[†] (Remodeler)</p>			<p>4 <u>Driver</u> (for non-dimming, select LE/TE option) LE/TE - TRIAC/ELV dimming HILUME-H-ECO - Lutron LDE1 Hi-lume® 1% Soft-On/ Fade-to-Black 0-10V - 0-10V dimming, 1% dim</p>	
2 <u>Wattage</u>	<p>19 31</p>			<p>5 <u>Options</u> EM - emergency battery pack with remote test switch (not for use with REM, CP or IC options)</p>	
3 <u>Voltage</u>	<p>120 277 120/277 (for use with IC housing only)</p>				

Trim Ordering Information

	MUR-RSC-A17	WW			
	1	2	3	4	5
1 <u>Model</u>	<p>MUR-RSC-A17[†]</p>			<p>4 <u>Color Temp</u> 83 CRI: 90+ CRI: 27 - 2700K-83 279 - 2700K-90+ CRISP - CrispWhite 30 - 3000K-83 309 - 3000K-90+ 3CLA - 3K Class A 35 - 3500K-83 359 - 3500K-90+ 40 - 4000K-83 409 - 4000K-90+</p>	
2 <u>Finish</u>	<p>WT - white texture BT - black texture ST - silver texture <i>Other finishes, consult factory</i></p>			<p>5 <u>Options/Accessories</u> VISU - visor up (finish matches fixture fixture) VISD - visor down (finish matches fixture fixture)</p>	
3 <u>Beam Spreads</u>	<p>WW - wall wash</p>				

[†] The "A" refers to the sequential revision in a year and "XX" refers to the year of update. Updates coincide with improved performance while not changing the overall fixture aesthetic and are reflected in the published performance data. Please contact your Amerlux representative for explanations of changes.

PROJECT:

TYPE:

Specifications

Application

Retail and commercial wall wash lighting

Construction

20 ga. galvanized steel frame
18 ga. galvanized steel splice housing and hanger brackets
(not for Remodeler version)
Die-cast optical housing and heat sink

Optical

0-180° tilt, 360° rotation
Wall wash beam spread

LED

Color Temp Options:

2700K, 3000K, 3500K, 4000K, CRISP
CRI:83 typ. (2700K, 3000K, 3500K, 4000K)
90+ typ. (2700K, 3000K)
CrispWhite* available

R9 Values: 11 (83 CRI), 55 (92 CRI)

Binning: 3 MacAdam (SDCM)

Life: 50,000+ hrs, > 70% of initial lumens at 50,000 hrs

**CrispWhite: CrispWhite Technology delivers the warmth of colors expected from a high 90 CRI solution but also creates the natural crisp white color that is pleasing to the eye. It creates the most impactful lighting ever available, by revealing the richest whites and vibrant colors that pop.*

***Class A LED: Class A LED's have a CRI > 80 and a GAI > 80. CRI defines color "Naturalness" and GAI defines color "Saturation." Both being high delivers rich colors and pure whites.*

Electrical

Wattage: 19, 31

Electronic constant current LED driver, 120/277VAC input
This product complies with IEEE C62.41 for surge endurance up to 2.5KV. Amerlux® recommends using additional surge protection with this unit (supplied by others), surge and over voltage damage is not covered under warranty.

Driver

LE/TE - Leading Edge, TRIAC, forward phase/Trailing Edge, ELV, reverse phase
0-10V, and Lutron systems also available
See pages 7-8 for more dimming information

Finish

Powder coat paint
Consult factory for custom finishes

Mounting

For use in T-Grid or GB ceilings; max ceiling thickness 1"
Adjustable hanger bars included (14 1/2" - 25" std.)
(32"-48" Adjustable hanger bars available)
Consult Factory for thicker ceilings

Certifications

CSA listed to UL standards
IC/AT rated (optional, not for Remodeler version)
For indoor use only

Warranty

5 year limited warranty

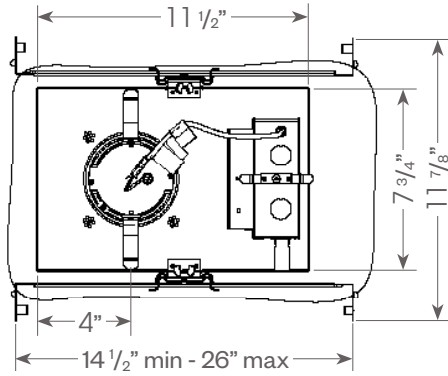
Emergency Battery Pack (EM)

EM - emergency battery pack with remote test switch (not for use with REM, CP or IC/AT options)

PROJECT:

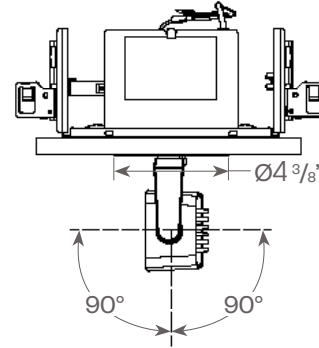
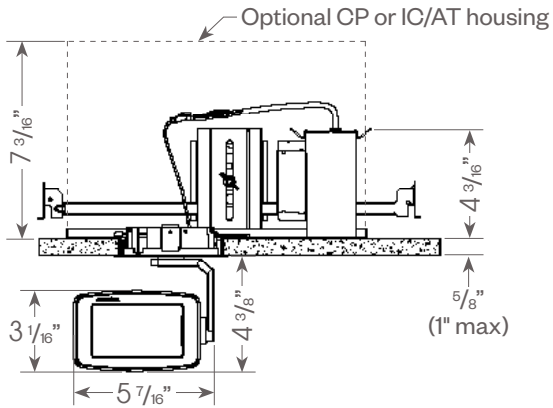
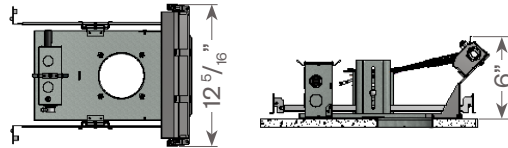
TYPE:

Murro Round Surface Canopy (new construction):



Ceiling cut out: 4" dia.

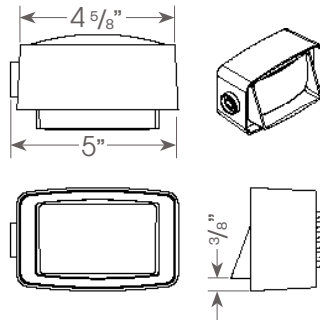
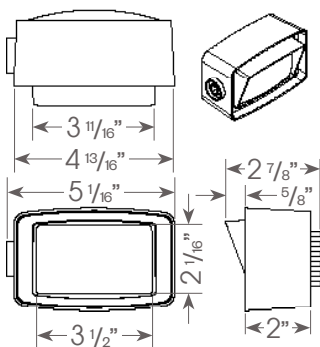
Emergency Battery Pack (EM) option



Visor Accessory:

Visor (Up)

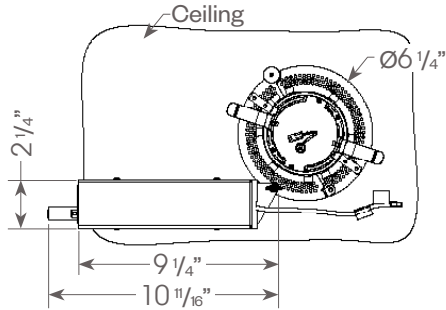
Visor (Down)



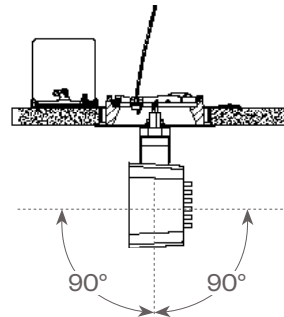
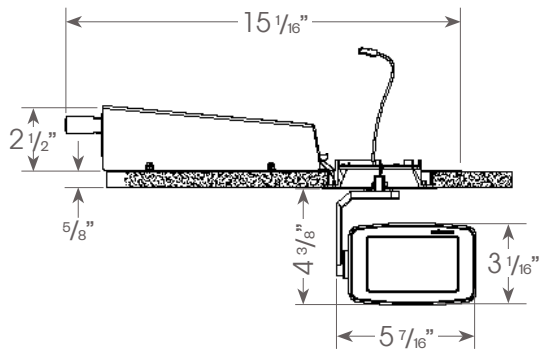
PROJECT:

TYPE:

Murro Round Surface Canopy Remodeler:



Ceiling cut out: 4" dia.



PROJECT:

TYPE:

FIXTURE DATA: (Complete photometric data (.ies format) available upon request)

MULTIPLYING FACTORS: (Multiplying Factor is based on 3000K-83 120V IES file on website)

Wattage:	19W	31W
Factor:	0.68	1.0

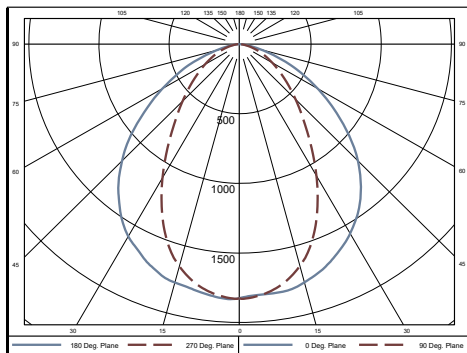
CCT:	2700K-83	3000K-83	3500K-83	4000K-83	2700K-90+	3000K-90+	CRISP	3CLA
Factor:	0.96	1.0	1.02	1.04	0.80	0.83	0.65	0.75

MURRO LED WALL WASH 31W 3000K-83

Source: 1 white LED array Lumens: 3673

Track Mounting

LTL# 14724077.01



ZONAL LUMEN SUMMARY

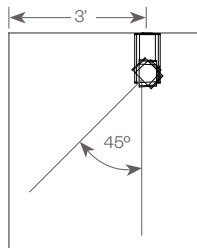
Zone	Lumens	%Fixt
0-40	2063	56.2
0-60	3189	86.8
0-90	3673	100.0
90-180	0	0.00

Efficiency: 118.4 lm/W

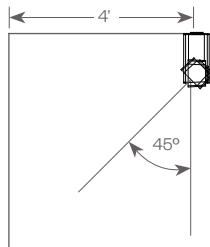
Application Data:

Footcandles on Wall

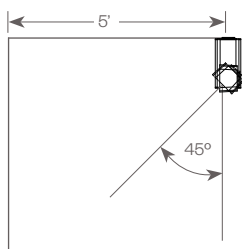
Footcandles are average and rounded off.
Data for multiple units are based on a minimum of five units.



Distance from ceiling	6'								
	0.5'	1.5'	2.5'	3.5'	4.5'	5.5'	6.5'	7.5'	8.5'
0.5'	145	150	82	44	42	76	156	151	
1.5'	138	142	91	52	50	87	139	142	
2.5'	100	101	77	52	50	74	100	102	
3.5'	66	67	57	44	44	56	67	67	
4.5'	45	45	41	37	36	41	45	46	
5.5'	32	32	31	29	29	31	33	33	
6.5'	24	24	24	23	24	24	25	25	
7.5'	19	19	19	19	19	19	20	20	
8.5'	14	14	14	14	14	14	14	14	



Distance from ceiling	8'										
	0.5'	1.5'	2.5'	3.5'	4.5'	5.5'	6.5'	7.5'	8.5'		
0.5'	85	85	58	34	23	24	34	58	85	85	
1.5'	88	88	65	40	28	28	40	65	88	88	
2.5'	73	73	59	40	30	29	40	58	73	73	
3.5'	55	55	48	36	29	29	36	48	55	55	
4.5'	41	41	37	31	26	26	31	37	41	41	
5.5'	30	30	28	25	23	23	25	29	31	31	
6.5'	23	23	22	21	20	20	21	23	24	24	
7.5'	15	16	16	15	15	15	15	16	16	16	
8.5'	13	13	13	13	13	13	13	14	14	14	



Distance from ceiling	8'										
	0.5'	1.5'	2.5'	3.5'	4.5'	5.5'	6.5'	7.5'	8.5'		
0.5'	58	58	46	32	25	25	32	46	58	58	
1.5'	62	62	51	37	29	29	37	51	62	62	
2.5'	57	57	49	38	31	31	38	49	57	57	
3.5'	48	48	43	36	30	30	36	43	48	48	
4.5'	38	38	36	31	28	28	31	36	38	38	
5.5'	30	30	29	27	25	25	27	29	31	31	
6.5'	25	25	24	23	22	22	23	24	25	25	
7.5'	20	20	20	20	19	19	20	20	21	21	
8.5'	17	17	17	17	17	17	17	17	17	17	

PROJECT:

TYPE:

DIMMING COMPATIBILITY:

Amerlux® Murro fixtures are compatible with all major dimming protocols prevalent in the United States. Please see below for general compatibilities and wiring diagrams. Amerlux recommends testing your unique dimming configuration as the exact full configuration (Dimmer, Fixture Quantity, Voltage, etc) may affect dimming performance.

--- NOTE: INFORMATION BELOW IS FOR WIRED DIMMERS ONLY. FOR WIRELESS DIMMERS, CONSULT FACTORY ---

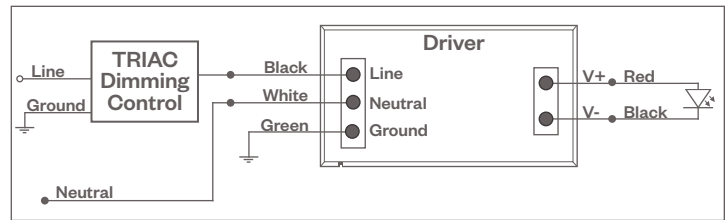
TRIAC (Forward Phase) DIMMING (Standard)

Utilizes standard TRIAC dimmers that are in wide use in installations across the US. Best for retrofit applications where TRIAC dimmers are installed.

Notes:

- 120VAC or 277VAC*
- Dims down to 5% light output (most cases)
- Consult Dimming manufacturer for installation instructions - DO NOT SHARE NEUTRALS!
- Must meet dimmer Minimum Load Requirements per dimming manufacturer

TRIAC Wiring Diagram



Compatible Dimmers†:

Wall Box (TRIAC 120VAC)	Central System
Lutron "Diva"	Lutron "GP" Panel
Lutron "Nova-T"	Lutron Grafik Eye QS
Lutron "Maestro"	
Lutron "Skylark"	

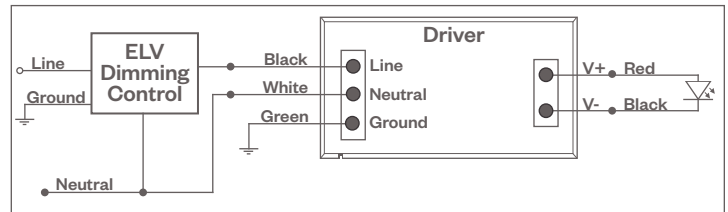
ELV - Electronic Low Voltage (Reverse Phase) DIMMING (Standard)

Utilizes specialized "ELV" dimmers.

Notes:

- 120VAC or 277VAC*
- Dims down to 5% light output (most cases)
- Consult Dimming manufacturer for installation instructions - DO NOT SHARE NEUTRALS!
- Must meet dimmer Minimum Load Requirements

ELV Wiring Diagram



Compatible Dimmers†:

Wall Box (ELV 120VAC)	Wall Box (ELV 277VAC)	Central System
Lutron "Diva"	Leviton Revoir II AWSMT-E	Lutron "GP" Panel with PHPM-PA 120/277VAC
Lutron "Nova-T"		Lutron Grafik Eye QS with PHPM-PA 120/277VAC
Lutron "Maestro"		
Lutron "Skylark"		
Leviton "Surslide"		
Leviton "Vizio"		

Notes:

- * Driver is 277VAC dimmable with appropriate dimmer (by others). All provided wiring diagrams show 120VAC wiring colors and method. Please refer to 277VAC dimmer manufacturer installation instructions for 277VAC wiring diagrams.
- † The absence of a dimmer from the lists above does not imply incompatibility. Please consult factory for compatibility inquiries.

PROJECT:

TYPE:

DIMMING COMPATIBILITY:

Amerlux® Murro fixtures are compatible with all major dimming protocols prevalent in the United States. Please see below for general compatibilities and wiring diagrams. Amerlux recommends testing your unique dimming configuration as the exact full configuration (Dimmer, Fixture Quantity, Voltage, etc) may affect dimming performance.

--- NOTE: INFORMATION BELOW IS FOR WIRED DIMMERS ONLY. FOR WIRELESS DIMMERS, CONSULT FACTORY ---

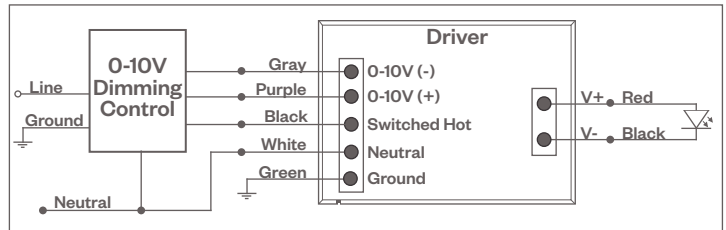
0-10V DIMMING

Integrates into a variety of building management and daylighting controls

Notes:

- 120VAC or 277VAC*
- Dims down to 1% light output
- Requires interface to turn off power to driver
- Consult Dimming manufacturer for installation instructions - DO NOT SHARE NEUTRALS!

0-10V Wiring Diagram



Compatible Dimmers†:

Wall Box	Central System
Lutron "Diva" - DVSTV Leviton Renoir II 0-10V	Lutron Grafik Eye with GRX-TVI Interface

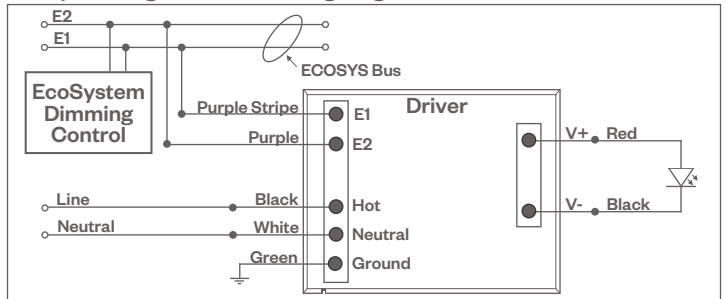
LUTRON LDE1 DIMMING

Integrates into Lutron EcoSystem building management

Notes:

- 120VAC or 277VAC*
- Dims down to 1% Soft-On/Fade-to-Black
- EcoSystem Control
- Consult Dimming manufacturer for installation instructions - DO NOT SHARE NEUTRALS!

Lutron LDE1 (HILUME-H-ECO) EcoSystem Digital Control Wiring Diagram

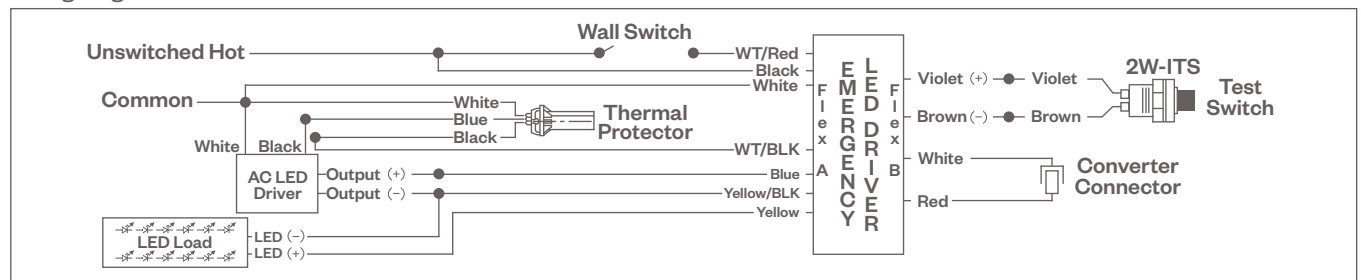


Compatible Dimmers†:

Lutron ECO System	Central System
Pow Pak Dimming Modules Energi Savr Node Grafik Eye QS/Homeworks QS Control Unit Quantum Hub Homeworks QS/My Room	Lutron EcoSystem compatible controls

EMERGENCY DIMMING (-EM OPTION)

Wiring Diagram



Notes:

- * Driver is 277VAC dimmable with appropriate dimmer (by others). All provided wiring diagrams show 120VAC wiring colors and method. Please refer to 277VAC dimmer manufacturer installation instructions for 277VAC wiring diagrams.
- † The absence of a dimmer from the lists above does not imply incompatibility. Please consult factory for compatibility inquiries.