

Murro® HP

3.5" Round Surface Canopy Wall Wash



Features

The Murro® Round Surface Canopy is a high performing alternative for designers. The Murro® LED module sits on the canopy plate with a single arm yoke, giving designers the aiming flexibility you have with a track head. Small in size, high in output, Murro outperforms others, time after time. With unique optics, and code-ready dimmability, Murro reduces your costs dramatically. It's a light so powerful, your walls have never looked better.

Product Overview

Type:	Surface Wall Wash
Wattage:	37
Lumen Output:	3501 max; 93.8 lm/W
Color Temp:	2700K, 3000K, 3500K
CRI:	83 typ. (2700K, 3000K, 3500K) 90+ typ. (3000K, 3500K) Class A, 3000K available
Dimming:	TRIAC & ELV (120/277VAC) - 5% Dim 0-10V (120/277VAC) - 1% Dim

PROJECT:

TYPE:

Fixture Summary *(see following pages for more information)*

Performance Chart

Watts	Delivered Lumens	LPW	Color Temp
37	3501	93.8	3000K-83

**Data is based on 3000K-83, 120V IES files available on website*

Electrical Data

	37W	
	System Watts	Amps
120V	37	0.31
277V	37	0.13

Electronic constant current LED driver



Murro[®] HP

3.5" Round Surface Canopy Wall Wash



PROJECT:

TYPE:

Housing/Frame Ordering Information



- 1** Model
For New Construction
MUR-HP-RSC-NC-A17[†] (New Construction)
MUR-HP-RSC-CP-A17[†] (Chicago Plenum housing)
- For Existing Ceilings
MUR-HP-RSC-REM-A17[†] (Remodeler)

- 2** Wattage
37

- 3** Voltage
120
277

- 4** Driver (for non-dimming, select LE/TE option)
LE/TE - TRIAC/ELV dimming
0-10V - 0-10V dimming, 1% dim

Trim Ordering Information



- 1** Model
MUR-HP-RSC-A17[†]

- 2** Finish
WT - white texture
BT - black texture
ST - silver texture
Other finishes, consult factory

- 3** Beam Spreads
WW - wall wash

- 4** Color Temp
83 CRI: **90+ CRI:**
27 - 2700K-83 **309** - 3000K-90+
30 - 3000K-83 **359** - 3500K-90+
35 - 3500K-83 **3CLA** - Class A

- 5** Options/Accessories
VISU - visor up (finish matches fixture fixture)
VISD - visor down (finish matches fixture fixture)

[†] The "A" refers to the sequential revision in a year and "XX" refers to the year of update. Updates coincide with improved performance while not changing the overall fixture aesthetic and are reflected in the published performance data. Please contact your Amerlux representative for explanations of changes.

Murro[®] HP

3.5" Round Surface Canopy Wall Wash



PROJECT:

TYPE:

Specifications

Application

Retail and commercial wall wash lighting

Construction

20 ga. galvanized steel frame
18 ga. galvanized steel splice housing and hanger brackets
(not for Remodeler version)
Die-cast optical housing and heat sink

Optical

0-180° tilt, 360° rotation
Wall wash beam spread

LED

Color Temp Options:

2700K, 3000K, 3500K

CRI:83 typ. (2700K, 3000K, 3500K)

90+ typ. (3000K, 3500K)

Class A* 3000K available

R9 Values: 11 (83 CRI), 55 (90+ CRI)

Binning: 3 MacAdam (SDCM)

Life: 50,000+ hrs, > 70% of initial lumens at 50,000 hrs

**Class A LED: Class A LED's have a CRI > 80 and a GAI > 80. CRI defines color "Naturalness" and GAI defines color "Saturation." Both being high delivers rich colors and pure whites.*

Electrical

Wattage: 37

Electronic constant current LED driver, 120/277VAC input

This product complies with IEEE C62.41 for surge endurance up to 2.5KV. Amerlux[®] recommends using additional surge protection with this unit (supplied by others), surge and over voltage damage is not covered under warranty.

Driver

LE/TE - Leading Edge, TRIAC, forward phase/Trailing Edge, ELV, reverse phase

0-10V also available

See pages 7-8 for more dimming information

Finish

Powder coat paint

Consult factory for custom finishes

Mounting

For use in T-Grid or GB ceilings; max ceiling thickness 1"

Adjustable hanger bars included (14 1/2" - 25" std.)

(32"-48" Adjustable hanger bars available)

Consult Factory for thicker ceilings

Certifications

CSA listed to UL standards

For indoor use only

Warranty

5 year limited warranty

Murro[®] HP

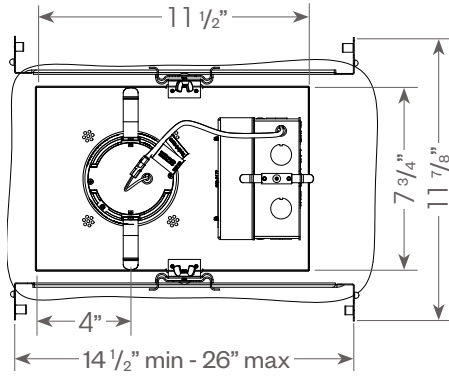
3.5" Round Surface Canopy Wall Wash



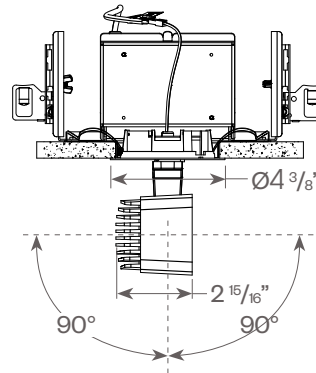
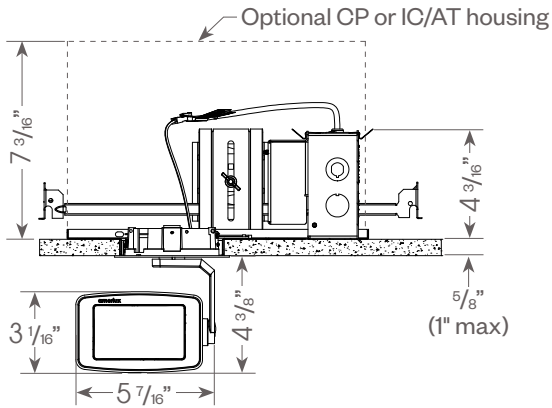
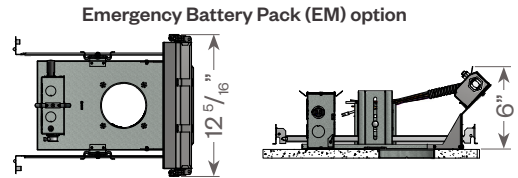
PROJECT:

TYPE:

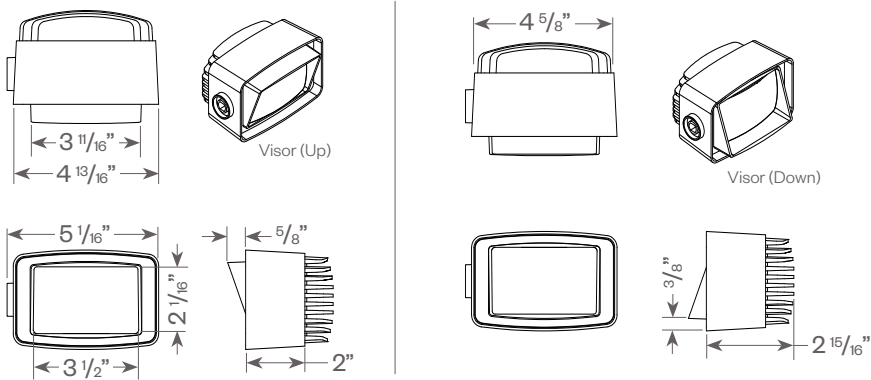
Murro HP Round Surface Canopy (new construction):



Ceiling cut out: 4" dia.



Visor Accessory:



Murro[®] HP

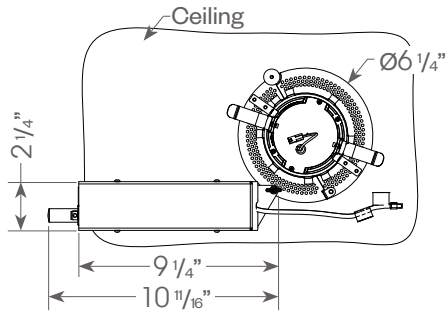
3.5" Round Surface Canopy Wall Wash



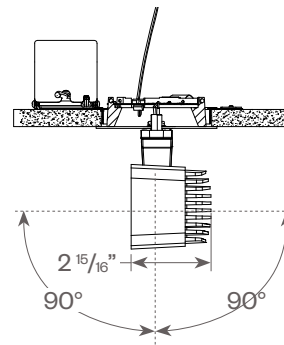
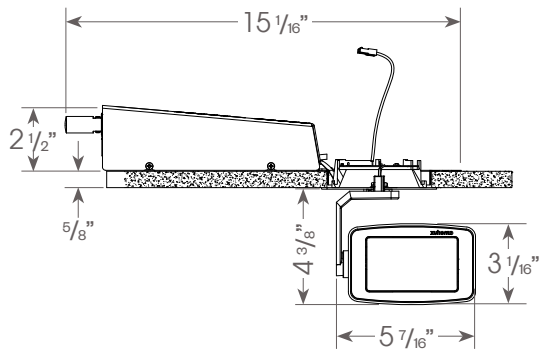
PROJECT:

TYPE:

Murro HP Round Surface Canopy Remodeler:



Ceiling cut out: 4" dia.



Murro[®] HP

3.5" Round Surface Canopy Wall Wash



PROJECT:

TYPE:

FIXTURE DATA: (Complete photometric data (.ies format) available upon request)

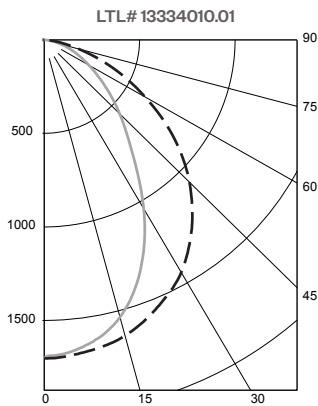
MULTIPLYING FACTORS: (Multiplying Factor is based on 3000K-83 120V IES file on website)

CCT:	2700K-83	3000K-83	3500K-83	4000K-83	3000K-90+	3500K-90+	3CLA
Factor:	0.96	1.0	1.02	1.04	0.83	0.87	0.75

MURRO LED WALL WASH 37W 3000K-83

Source: 1 white LED array; Lumens: 3501

Track Mounting



ZONAL LUMEN SUMMARY

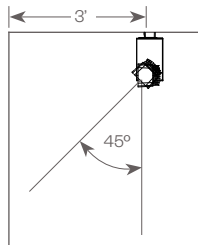
Zone	Lumens	%Fixt
0-40	1918	54.8
0-60	3004	85.8
0-90	3501	100.0
90-180	0	0.00

Efficacy (Lm/W = 93.8)

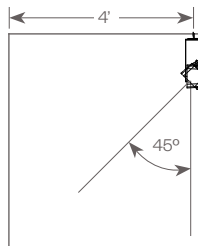
Application Data:

Footcandles on Wall

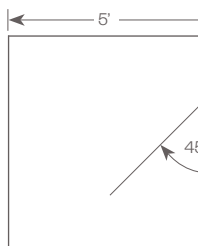
Footcandles are average and rounded off.
Data for multiple units are based on a minimum of five units.



Distance from ceiling	6'									
	0.5'	1.5'	2.5'	3.5'	4.5'	5.5'	6.5'	7.5'	8.5'	
0.5'	98	100	77	59	58	75	98	100		
1.5'	127	129	102	77	76	99	128	129		
2.5'	100	101	87	73	72	85	101	102		
3.5'	68	69	63	58	58	63	69	69		
4.5'	46	46	45	43	43	45	47	47		
5.5'	32	33	32	32	32	32	33	33		
6.5'	24	24	24	24	24	24	25	25		
7.5'	18	18	18	18	19	19	19	19		
8.5'	14	15	15	15	15	15	15	15		



Distance from ceiling	8'									
	0.5'	1.5'	2.5'	3.5'	4.5'	5.5'	6.5'	7.5'	8.5'	
0.5'	54	54	47	37	31	32	37	46	54	54
1.5'	73	73	63	49	41	41	49	63	73	73
2.5'	70	70	61	51	44	44	51	61	70	70
3.5'	55	56	51	45	40	40	45	51	56	56
4.5'	42	42	39	36	35	35	37	39	42	42
5.5'	31	31	30	29	28	28	29	30	31	31
6.5'	24	24	24	23	23	23	23	24	24	24
7.5'	19	19	19	19	18	18	19	19	19	19
8.5'	15	15	15	15	15	15	15	16	16	16



Distance from ceiling	8'									
	0.5'	1.5'	2.5'	3.5'	4.5'	5.5'	6.5'	7.5'	8.5'	
0.5'	h37	37	34	31	29	29	31	34	37	37
1.5'	50	50	46	40	37	37	40	46	50	50
2.5'	53	53	49	44	41	41	44	49	53	53
3.5'	48	48	45	42	40	40	42	45	48	48
4.5'	40	40	39	37	36	36	37	39	40	40
5.5'	32	32	32	31	31	31	31	32	33	33
6.5'	26	26	26	26	26	26	26	26	26	26
7.5'	21	22	22	21	21	21	21	21	22	22
8.5'	18	18	18	18	18	18	18	18	18	18

PROJECT:

TYPE:

DIMMING COMPATIBILITY:

Amerlux[®] Murro fixtures are compatible with all major dimming protocols prevalent in the United States. Please see below for general compatibilities and wiring diagrams. Amerlux recommends testing your unique dimming configuration as the exact full configuration (Dimmer, Fixture Quantity, Voltage, etc) may affect dimming performance.

--- NOTE: INFORMATION BELOW IS FOR WIRED DIMMERS ONLY. FOR WIRELESS DIMMERS, CONSULT FACTORY ---

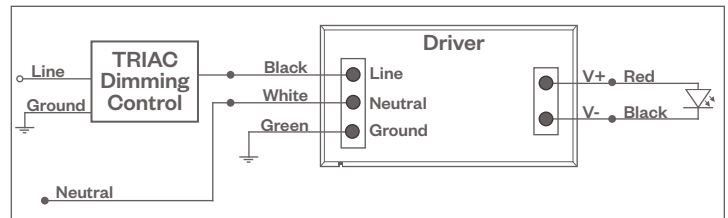
TRIAC (Forward Phase) DIMMING (Standard)

Utilizes standard TRIAC dimmers that are in wide use in installations across the US. Best for retrofit applications where TRIAC dimmers are installed.

Notes:

- 120VAC or 277VAC*
- Dims down to 5% light output (most cases)
- Consult Dimming manufacturer for installation instructions - DO NOT SHARE NEUTRALS!
- Must meet dimmer Minimum Load Requirements per dimming manufacturer

TRIAC Wiring Diagram



Compatible Dimmers†:

Wall Box (TRIAC 120VAC)	Central System
Lutron "Diva"	Lutron "GP" Panel
Lutron "Nova-T"	Lutron Grafik Eye QS
Lutron "Maestro"	
Lutron "Skylark"	

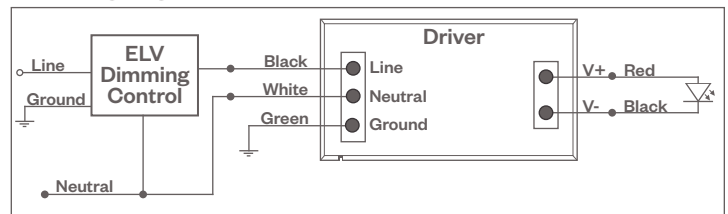
ELV - Electronic Low Voltage (Reverse Phase) DIMMING (Standard)

Utilizes specialized "ELV" dimmers.

Notes:

- 120VAC or 277VAC*
- Dims down to 5% light output (most cases)
- Consult Dimming manufacturer for installation instructions - DO NOT SHARE NEUTRALS!
- Must meet dimmer Minimum Load Requirements

ELV Wiring Diagram



Compatible Dimmers†:

Wall Box (ELV 120VAC)	Wall Box (ELV 277VAC)	Central System
Lutron "Diva"	Leviton Revoir II AWSMT-E	Lutron "GP" Panel with PHPM-PA 120/277VAC
Lutron "Nova-T"		Lutron Grafik Eye QS with PHPM-PA 120/277VAC
Lutron "Maestro"		
Lutron "Skylark"		
Leviton "Surslide"		
Leviton "Vizio"		

Notes:

- * Driver is 277VAC dimmable with appropriate dimmer (by others). All provided wiring diagrams show 120VAC wiring colors and method. Please refer to 277VAC dimmer manufacturer installation instructions for 277VAC wiring diagrams.
- † The absence of a dimmer from the lists above does not imply incompatibility. Please consult factory for compatibility inquiries.

Murro[®] HP

3.5" Round Surface Canopy Wall Wash



PROJECT:

TYPE:

DIMMING COMPATIBILITY:

Amerlux[®] Murro fixtures are compatible with all major dimming protocols prevalent in the United States. Please see below for general compatibilities and wiring diagrams. Amerlux recommends testing your unique dimming configuration as the exact full configuration (Dimmer, Fixture Quantity, Voltage, etc) may affect dimming performance.

--- NOTE: INFORMATION BELOW IS FOR WIRED DIMMERS ONLY. FOR WIRELESS DIMMERS, CONSULT FACTORY ---

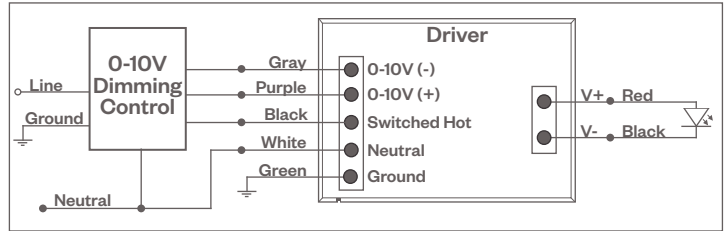
0-10V DIMMING

Integrates into a variety of building management and daylighting controls

Notes:

- 120VAC or 277VAC*
- Dims down to 1% light output
- Requires interface to turn off power to driver
- Consult Dimming manufacturer for installation instructions - DO NOT SHARE NEUTRALS!

0-10V Wiring Diagram



Compatible Dimmers†:

Wall Box

Lutron "Diva" - DVSTV

Leviton Renoir II 0-10V

Central System

Lutron Grafik Eye with GRX-TVI Interface

Notes:

- * Driver is 277VAC dimmable with appropriate dimmer (by others). All provided wiring diagrams show 120VAC wiring colors and method. Please refer to 277VAC dimmer manufacturer installation instructions for 277VAC wiring diagrams.
- † The absence of a dimmer from the lists above does not imply incompatibility. Please consult factory for compatibility inquiries.