

# Cylindrix® III Mini

## 3.5" Round Surface Canopy



PROJECT:

TYPE:

### Features

This powerful, compact member of our Cylindrix family enhances your design aesthetics. The new Cylindrix III Mini (C3M) Round Surface Canopy is tiny, passively cooled, with an invisible heat sink and full dimming capacity. It delivers brilliant colors, crispest whites, and a patent pending, field changeable optical system.



C3M-RSC

### Product Overview

Type: Surface Accent & Display

Wattage: 15W, 18W\*, 21W (\*VNSP only)

Color Temp: 2200K, 2700K, 3000K, 3500K, 4000K

CRI: 83 typ. (2700K, 3000K, 3500K, 4000K)  
90+ typ. (2200K, 2700K, 3000K, 3500K, 4000K)  
CrispWhite & 3K Class A LEDs available

Dimming: TRIAC & ELV, 5% Dim, 120/277VAC  
Lutron LDE1 Hi-lume® 1% Dim Soft-On/Fade-to-Black, 120/277VAC  
0-10V, 1% Dim, 120/277VAC  
DALI, 1% Dim, 120/277VAC

### Certifications



### Fixture Summary

#### Performance Data

| Watts | Delivered Lumens | LPW   | CBCP   | Color Temp-CRI |
|-------|------------------|-------|--------|----------------|
| 15    | 1508             | 100.5 | 9,415  | 3000K-83       |
| 18*   | 1096             | 60.2  | 24,308 | 3000K-83       |
| 21    | 2125             | 105   | 13,206 | 3000K-83       |

\* Note: 18W is VNSP only

Data is based on 3000K-83 120v IES files available on website.

15W & 21W data is based on Very Narrow Flood optics. 18W data is Very Narrow Spot optic only.

See pg 6-7 for other beam spreads.

#### Electrical Data

| Voltage | 15W          |      | 18W          |      | 21W          |      |
|---------|--------------|------|--------------|------|--------------|------|
|         | System Watts | Amps | System Watts | Amps | System Watts | Amps |
| 120V    | 15           | 0.13 | 18           | 0.15 | 21           | 0.18 |
| 277V    | 15           | 0.05 | 18           | 0.06 | 21           | 0.08 |

Electronic constant current LED driver.

# Cylindrix® III Mini

3.5" Round Surface Canopy



PROJECT:

TYPE:

## Ordering Information - Housing/Frame

| 1   | 2  | 3  | 4   | 5  |
|---|--|--|---|--|
| <b>1 Model</b><br>For New Construction<br><b>C3M-RSC-NC-A17</b> (New Construction)<br><b>C3M-RSC-CP-A17</b> (Chicago Plenum (CCEA) housing)<br><b>C3M-RSC-IC-A17</b> (Insulated Ceiling/air tight housing, 15W only)<br><br>For Existing Ceilings<br><b>C3M-RSC-REM-A17</b> (Remodeler) | <b>2 Wattage</b><br><b>15</b> (120/277 only)<br><b>18</b> (VNSP only)<br><b>21</b> | <b>3 Voltage</b><br><b>120</b><br><b>277</b><br><b>120/277</b> (for use with 15W only) | <b>4 Driver</b> (for non-dimming, select LE/TE option)<br><b>LE/TE</b> TRIAC/ELV dimming, 5% dim<br><b>HILUME-H-ECO</b> Lutron LDE1 Hi-lume® 1% dim Soft-On/Fade-to-Black<br><b>O-10V</b> 0-10V dimming, 1% dim<br><b>DALI</b> DALI dimming, 1% dim | <b>5 Options/Accessories</b><br><b>EM</b> emergency battery pack with remote test switch (not available for use with REM, CP or IC options)<br><b>HB49</b> hanger bars from min 29" to max 49" (not available for use with REM options)<br><br><i>Note: 26" hanger bars are included as standard. Choose <b>HB49</b> option above for larger mounting spaces only.</i> |

## Ordering Information - Trim

| C3M-RSC-A17                          |   |  |   |  |
|--------------------------------------|---|--|---|--|
| 1                                    | 2   | 3  | 4   | 5  |
| <b>1 Model</b><br><b>C3M-RSC-A17</b> | <b>2 Finish</b><br><b>WT</b> white texture<br><b>BT</b> black texture<br><b>ST</b> silver texture<br><i>Other finishes, consult factory</i> | <b>3 Beam Spread</b><br><b>VNSP</b> very narrow spot, 8° (18W only)<br><b>SP</b> spot, 14°<br><b>VNF</b> very narrow flood, 18°<br><b>NF</b> narrow flood, 23°<br><b>FL</b> flood, 34°<br><b>WF</b> wide flood, 44°<br><b>LS</b> linear spread lens, 60° x 10° | <b>4 Color Temp</b><br><b>83</b> CRI <b>90+</b> CRI<br><b>27</b> 2700K-83 <b>229*</b> 2200K-90+ <b>CRISP*</b> CrispWhite<br><b>30</b> 3000K-83 <b>279</b> 2700K-90+ <b>3CLA</b> 3000K Class A<br><b>35</b> 3500K-83 <b>309</b> 3000K-90+<br><b>40</b> 4000K-83 <b>359</b> 3500K-90+<br><b>409</b> 4000K-90+<br><i>* Not available for use with 18W VNSP</i> | <b>5 Options/Accessories</b><br><i>(standard front door accepts up to 2 accessories)</i><br><b>SN</b> snoot, 1" length, matte black interior, exterior finish matches fixture finish (accepts up to 2 accessories + cross blade)<br><b>HEX</b> hexcell louver<br><b>SOL</b> solite beam softening lens<br><b>CB</b> cross blade, matte black finish (requires snoot) |

# Cylindrix® III Mini

## 3.5" Round Surface Canopy



PROJECT:

TYPE:

### Specifications

#### Application

Retail and commercial accent and display lighting

#### Construction

20 ga. galvanized steel frame  
18 ga. galvanized steel splice housing and hanger brackets (*not for Remodeler version*)  
Die-cast optical housing and heat sink

#### Optical

0-180° tilt, 360° rotation  
**Beam Spreads:** Very Narrow Spot, 8° (*18W only*); Spot, 14°;  
Very Narrow Flood, 18°; Narrow Flood, 23°; Flood, 34°;  
Wide Flood, 44°

#### LED

**Color Temp Options:** 2200K, 2700K, 3000K, 3500K, 4000K, CRISP, Class A  
**CRI:** 83 typ. (*2700K, 3000K, 3500K, 4000K*)  
90+ typ. (*2200K, 2700K, 3000K, 3500K, 4000K*)  
CrispWhite\* and Class A\*\* 3000K (high CRI, high gamut) available (*see description below*)  
**R9 Values:** 11 (*83 CRI*), 55 (*92 CRI*)  
**Binning:** 3 MacAdam (*SDOM*)  
**Life:** 50,000+ hrs, > 70% of initial lumens at 50,000 hrs  
*\* CrispWhite: CrispWhite Technology delivers the warmth of colors expected from a high 90 CRI solution but also creates the natural crisp white color that is pleasing to the eye. It creates the most impactful lighting ever available, by revealing the richest whites and vibrant colors that pop.*  
*\*\* Class A LED: Class A LED's have a CRI > 80 and a GAI > 80. CRI defines color "Naturalness" and GAI defines color "Saturation." Both being high delivers rich colors and pure whites.*

#### Electrical

**Wattage:** 15W, 18W\*, 21W (*\*VNSP only*)  
Electronic constant current LED driver, 120/277VAC input  
**This product complies with IEEE C62.41 for surge endurance up to 2.5KV. Amerlux® recommends using additional surge protection with this unit (supplied by others), surge and over voltage damage is not covered under warranty.**

#### Driver

**LE/TE** - Leading Edge (*Triac, Forward Phase*) or Trailing Edge (*ELV, Reverse Phase*) autosensing driver dims down to 5% on most dimming systems.  
0-10V, Lutron and DALI systems also available  
*See pages 8-10 for more dimming information*

#### Finish

Powder coat paint  
*Consult factory for custom finishes*

#### Mounting

For use in T-Grid or GB ceilings; max ceiling thickness 1"  
26" Hanger bars included (*except for Remodeler versions*)  
Optional **HB49** - hanger bars from min 29" to max 49" available  
*Consult Factory for thicker ceilings*

#### Certifications

CSA damp as tested to UL 1598 standards  
IC/AT rated (*optional, not for Remodeler version*)  
For indoor use only

#### Warranty

5 year limited warranty

#### Emergency Battery Pack (EM)

Powers fixture at 5.1 watts (*approx. 400 Lm*) for 90 minutes (*not for Remodeler (REM) version*)

# Cylindrix® III Mini

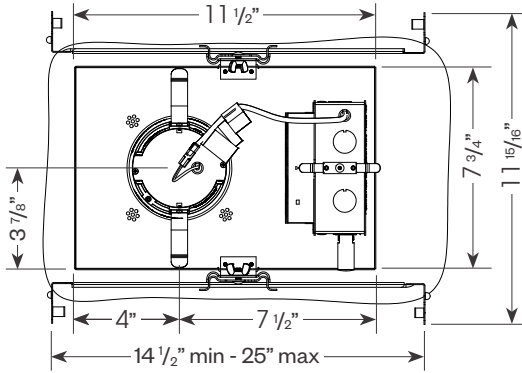
3.5" Round Surface Canopy



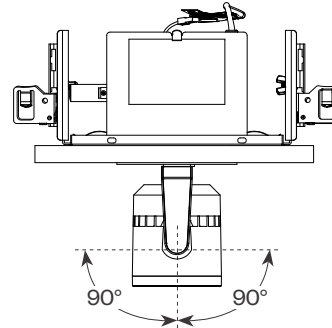
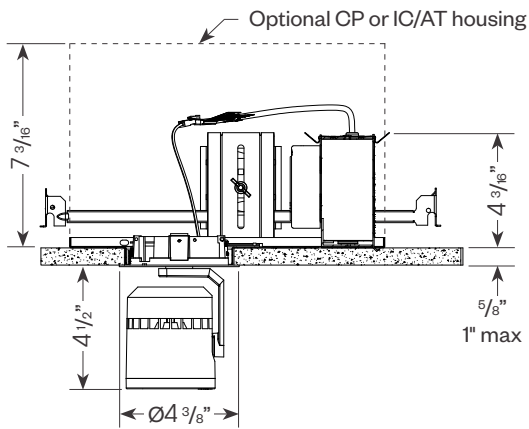
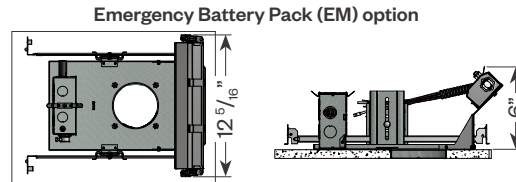
PROJECT:

TYPE:

## Product Details - New Construction



Ceiling Cut Out: 4" dia.



## Accessories (diagrams show installation order)



Front door/Accessory holder, hexcell, solite lens



Snoot accessory holder, cross blade, hexcell, solite lens

# Cylindrix® III Mini

3.5" Round Surface Canopy

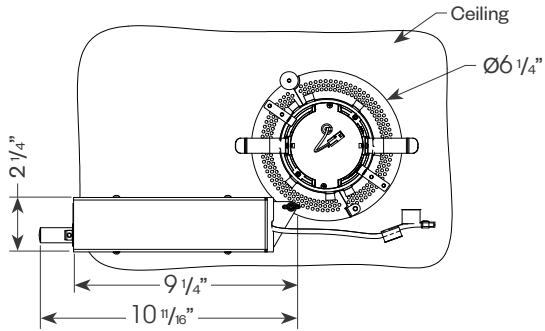


PROJECT:

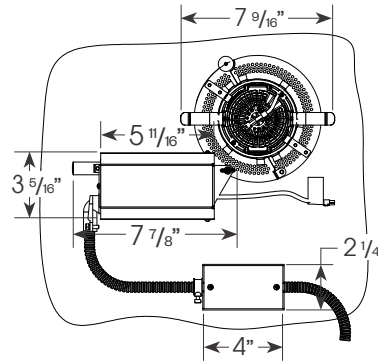
TYPE:

## Product Details - Remodeler

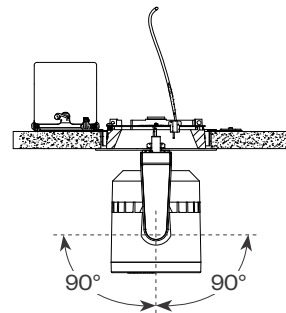
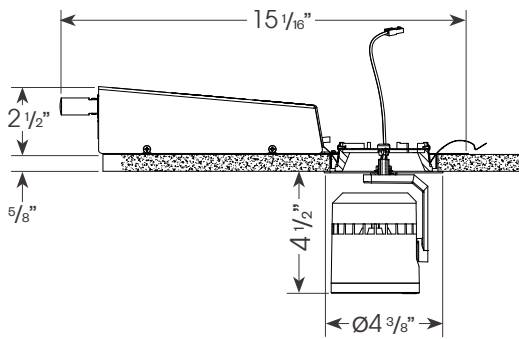
ELV/Triac Driver



Hi-lume®/0-10V Driver



Ceiling Cut Out: 4" dia.



## Accessories (diagrams show installation order)



Front door/Accessory holder, hexcell, solite lens



Snoot accessory holder, cross blade, hexcell, solite lens

# Cylindrix® III Mini

## 3.5" Round Surface Canopy



PROJECT:

TYPE:

### Performance Data (per head)

Multiplying Factors: (Multiplying Factor is based on 3000K-83 120V IES file on website)

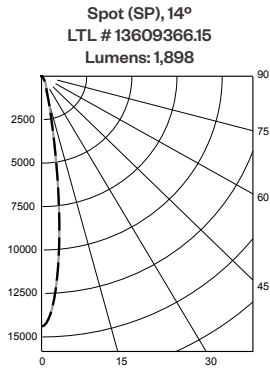
| CCT:    | 2700K-83 | 3000K-83 | 3500K-83 | 4000K-83 |
|---------|----------|----------|----------|----------|
| Factor: | 0.96     | 1.0      | 1.02     | 1.04     |

| Wattage: | 15W  | 21W |
|----------|------|-----|
| Factor:  | 0.71 | 1.0 |

Note: For 18W (VNSP only) data see pg 7

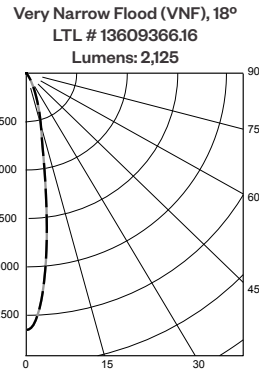
| CCT:    | 2200K-90+ | 2700K-90+ | 3000K-90+ | 3500K-90+ | 4000K-90+ | CRISP | 3CLA |
|---------|-----------|-----------|-----------|-----------|-----------|-------|------|
| Factor: | 0.66      | 0.83      | 0.86      | 0.90      | 0.93      | 0.65  | 0.70 |

### 21W LED, 3000K-83



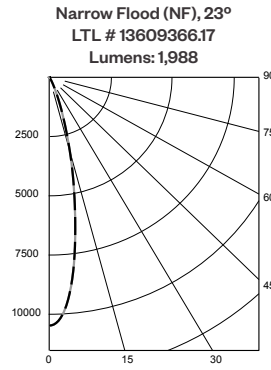
Candelas at Nadir

| Deg | Candela |
|-----|---------|
| 0   | 14400   |
| 5   | 10490   |
| 15  | 1426    |
| 25  | 560     |
| 35  | 233     |
| 45  | 110     |



Candelas at Nadir

| Deg | Candela |
|-----|---------|
| 0   | 13260   |
| 5   | 10300   |
| 15  | 2656    |
| 25  | 810     |
| 35  | 136     |
| 45  | 33      |



Candelas at Nadir

| Deg | Candela |
|-----|---------|
| 0   | 10480   |
| 5   | 9150    |
| 15  | 2963    |
| 25  | 453     |
| 35  | 86      |
| 45  | 47      |

Note: For FL & WF data see pg 7

### Application Data (per head)

#### Notes and Definitions:

Beam spread is to 50% center beam candlepower (CBCP).

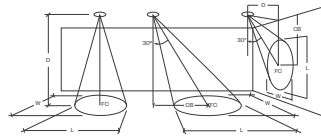
D=Distance to floor or wall.

FC=Footcandles on floor or wall at center beam aiming location.

L=Effective Visual Beam length in feet (50% of maximum footcandle level).

W=Effective Visual Beam width in feet (50% of maximum footcandle level).

CB=Distance across or down to center beam location.



|                   | 0° Aiming Angle<br>Horizontal<br>Footcandles |     |     |     | 30° Aiming Angle<br>Horizontal<br>Footcandles |     |     |     |     | 30° Aiming Angle<br>Vertical<br>Footcandles |     |     |     |     | 60° Aiming Angle<br>Vertical<br>Footcandles |     |     |     |     |
|-------------------|--|-----|-----|-----|---|-----|-----|-----|-----|---|-----|-----|-----|-----|---|-----|-----|-----|-----|
|                   | D  | FC  | L   | W   | D   | FC  | L   | W   | CB  | D   | FC  | L   | W   | CB  | D   | FC  | L   | W   | CB  |
| SPOT              | 5.0'   | 575 | 1.2 | 1.2 | 5.0'  | 371 | 1.6 | 1.4 | 3.0 | 3.0'  | 216 | 2.8 | 1.4 | 5.0 | 3.0'  | 779 | 1.3 | 1.1 | 2.0 |
|                   | 7.5'   | 256 | 1.9 | 1.9 | 7.5'  | 166 | 2.5 | 2.2 | 4.0 | 4.0'  | 130 | 3.5 | 1.8 | 6.0 | 4.0'  | 555 | 1.5 | 1.2 | 2.0 |
|                   | 10.0'  | 144 | 2.7 | 2.7 | 10.0'   | 92  | 3.4 | 3.0 | 6.0 | 5.0'  | 82  | 4.3 | 2.5 | 8.0 | 5.0'  | 361 | 1.8 | 1.4 | 3.0 |
|                   | 12.5'  | 93  | 3.2 | 3.2 | 12.5'   | 61  | 4.1 | 3.6 | 7.0 | 6.0'  | 58  | 5.2 | 2.9 | 9.0 | 6.0'  | 247 | 2.2 | 1.6 | 3.0 |
|                   |  |     |     |     |   |     |     |     |     |   |     |     |     |     |   |     |     |     |     |
| VERY NARROW FLOOD | 5.0'   | 531 | 1.4 | 1.4 | 5.0'  | 342 | 1.9 | 1.5 | 3.0 | 3.0'  | 200 | 3.4 | 1.6 | 5.0 | 3.0'  | 745 | 1.5 | 1.2 | 2.0 |
|                   | 7.5'   | 236 | 2.2 | 2.2 | 7.5'  | 155 | 2.9 | 2.6 | 4.0 | 4.0'  | 124 | 4.1 | 2.1 | 6.0 | 4.0'  | 529 | 1.7 | 1.3 | 2.0 |
|                   | 10.0'  | 133 | 3.0 | 3.0 | 10.0'   | 85  | 3.9 | 3.4 | 6.0 | 5.0'  | 77  | 5.2 | 2.9 | 7.0 | 5.0'  | 333 | 2.1 | 1.6 | 3.0 |
|                   | 12.5'  | 85  | 3.6 | 3.6 | 12.5'   | 57  | 4.7 | 4.1 | 7.0 | 6.0'  | 56  | 6.2 | 3.2 | 9.0 | 6.0'  | 235 | 2.4 | 1.9 | 3.0 |
|                   |  |     |     |     |   |     |     |     |     |   |     |     |     |     |   |     |     |     |     |
| NARROW FLOOD      | 5.0'   | 420 | 1.8 | 1.8 | 5.0'  | 271 | 2.5 | 2.2 | 3.0 | 3.0'  | 193 | 3.2 | 1.8 | 4.0 | 3.0'  | 628 | 1.9 | 1.3 | 2.0 |
|                   | 7.5'   | 187 | 2.9 | 2.9 | 7.5'  | 126 | 3.5 | 3.2 | 4.0 | 4.0'  | 105 | 4.5 | 2.8 | 6.0 | 4.0'  | 443 | 1.9 | 1.6 | 2.0 |
|                   | 10.0'  | 105 | 3.7 | 3.7 | 10.0'   | 71  | 4.8 | 4.2 | 5.0 | 5.0'  | 70  | 5.4 | 3.3 | 7.0 | 5.0'  | 265 | 2.6 | 2.2 | 3.0 |
|                   | 12.5'  | 67  | 4.7 | 4.7 | 12.5'   | 45  | 6.0 | 5.4 | 7.0 | 6.0'  | 49  | 6.6 | 3.9 | 8.0 | 6.0'  | 197 | 2.9 | 2.6 | 3.0 |
|                   |  |     |     |     |   |     |     |     |     |   |     |     |     |     |   |     |     |     |     |

# Cylindrix® III Mini

3.5" Round Surface Canopy



PROJECT:

TYPE:

## Performance Data (per head, continued)

Multiplying Factors: (Multiplying Factor is based on 3000K-83 120V IES file on website)

| OCT:    | 2700K-83 | 3000K-83 | 3500K-83 | 4000K-83 |
|---------|----------|----------|----------|----------|
| Factor: | 0.96     | 1.0      | 1.02     | 1.04     |

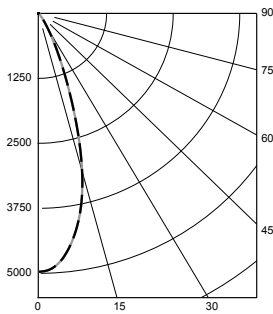
| Wattage: | 15W  | 21W |
|----------|------|-----|
| Factor:  | 0.71 | 1.0 |

| OCT:    | 2200K-90+* | 2700K-90+ | 3000K-90+ | 3500K-90+ | 4000K-90+ | CRISP* | 3CLA |
|---------|------------|-----------|-----------|-----------|-----------|--------|------|
| Factor: | 0.66       | 0.83      | 0.86      | 0.90      | 0.93      | 0.65   | 0.70 |

\* Not available for use with 18W VNSP

### 21W LED, 3000K-83

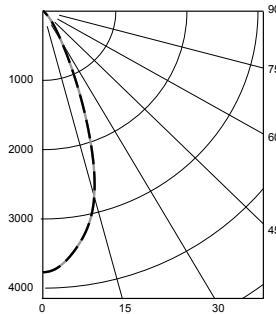
Flood (FL), 34°  
LTL # 13609366.18  
Lumens: 1,960



#### Candelas at Nadir

| Deg | Candela |
|-----|---------|
| 0   | 4970    |
| 5   | 4780    |
| 15  | 3130    |
| 25  | 913     |
| 35  | 193     |
| 45  | 55      |

Wide Flood (WF), 44°  
LTL # 13609366.19  
Lumens: 1,930



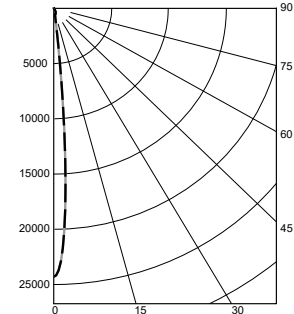
#### Candelas at Nadir

| Deg | Candela |
|-----|---------|
| 0   | 3771    |
| 5   | 3624    |
| 15  | 2758    |
| 25  | 1034    |
| 35  | 308     |
| 45  | 101     |

Note: For SP, VNF, NF data see pg 5

### 18W LED, 3000K (VNSP only)

Very Narrow Spot (VNSP), 8°  
LTL #1170140  
Lumens: 1,096



#### Candelas at Nadir

| Deg | Candela |
|-----|---------|
| 0   | 24308   |
| 5   | 8980    |
| 15  | 527     |
| 25  | 394     |
| 35  | 131     |
| 45  | 57      |

## Application Data (per head, continued)

### Notes and Definitions:

Beam spread is to 50% center beam candlepower (CBCP).

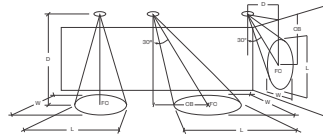
D=Distance to floor or wall.

FC=Footcandles on floor or wall at center beam aiming location.

L=Effective Visual Beam length in feet (50% of maximum footcandle level).

W=Effective Visual Beam width in feet (50% of maximum footcandle level).

CB=Distance across or down to center beam location.



|                              | 0° Aiming Angle Horizontal Footcandles |     |     |     | 30° Aiming Angle Horizontal Footcandles |     |     |     |     | 30° Aiming Angle Vertical Footcandles |     |     |     |      | 60° Aiming Angle Vertical Footcandles |     |     |     |     |
|------------------------------|--|-----|-----|-----|---|-----|-----|-----|-----|---------------------------------------|-----|-----|-----|------|---------------------------------------|-----|-----|-----|-----|
|                              | D                                      | FC  | L   | W   | D                                       | FC  | L   | W   | CB  | D                                     | FC  | L   | W   | CB   | D                                     | FC  | L   | W   | CB  |
| FLOOD                        | 5.0'                                   | 199 | 3.0 | 3.0 | 5.0'                                    | 141 | 3.5 | 3.1 | 2.0 | 3.0'                                  | 124 | 3.3 | 2.7 | 3.0  | 3.0'                                  | 372 | 2.2 | 1.8 | 1.0 |
|                              | 7.5'                                   | 89  | 4.4 | 4.4 | 7.5'                                    | 63  | 5.2 | 4.8 | 3.0 | 4.0'                                  | 70  | 4.5 | 3.4 | 4.0  | 4.0'                                  | 221 | 2.9 | 2.7 | 2.0 |
|                              | 10.0'                                  | 50  | 5.8 | 5.8 | 10.0'                                   | 36  | 6.9 | 6.4 | 4.0 | 5.0'                                  | 45  | 5.6 | 4.4 | 5.0  | 5.0'                                  | 143 | 3.5 | 3.1 | 2.0 |
|                              | 12.5'                                  | 32  | 7.3 | 7.3 | 12.5'                                   | 23  | 8.6 | 8.0 | 6.0 | 6.0'                                  | 32  | 6.8 | 5.2 | 7.0  | 6.0'                                  | 98  | 4.2 | 3.9 | 3.0 |
| WIDE FLOOD                   | 5.0'                                   | 151 | 3.2 | 3.2 | 5.0'                                    | 110 | 3.8 | 3.5 | 2.0 | 3.0'                                  | 109 | 3.2 | 2.7 | 3.0  | 3.0'                                  | 303 | 2.3 | 2.0 | 1.0 |
|                              | 7.5'                                   | 67  | 5.0 | 5.0 | 7.5'                                    | 49  | 5.6 | 5.4 | 3.0 | 4.0'                                  | 62  | 4.2 | 3.6 | 4.0  | 4.0'                                  | 167 | 3.1 | 3.0 | 2.0 |
|                              | 10.0'                                  | 38  | 6.6 | 6.6 | 10.0'                                   | 28  | 7.5 | 7.3 | 4.0 | 5.0'                                  | 40  | 5.3 | 4.6 | 5.0  | 5.0'                                  | 111 | 3.8 | 3.5 | 2.0 |
|                              | 12.5'                                  | 25  | 8.3 | 8.3 | 12.5'                                   | 18  | 9.5 | 9.1 | 5.0 | 6.0'                                  | 28  | 6.5 | 5.5 | 6.0  | 6.0'                                  | 76  | 4.6 | 4.5 | 2.0 |
| 18W only<br>VERY NARROW SPOT | 5.0'                                   | 967 | 1.0 | 1.0 | 5.0'                                    | 624 | 1.0 | 1.0 | 3.0 | 3.0'                                  | 360 | 1.5 | 1.0 | 5.0  | 3.0'                                  | 983 | 1.0 | 1.0 | 2.0 |
|                              | 7.5'                                   | 431 | 1.1 | 1.1 | 7.5'                                    | 251 | 1.8 | 1.1 | 4.0 | 4.0'                                  | 185 | 2.4 | 1.1 | 7.0  | 4.0'                                  | 729 | 1.1 | 1.0 | 2.0 |
|                              | 10.0'                                  | 243 | 1.3 | 1.3 | 10.0'                                   | 153 | 2.1 | 1.6 | 6.0 | 5.0'                                  | 129 | 2.7 | 1.2 | 8.0  | 5.0'                                  | 600 | 1.1 | 1.0 | 3.0 |
|                              | 12.5'                                  | 156 | 1.8 | 1.8 | 12.5'                                   | 102 | 2.4 | 2.2 | 7.0 | 6.0'                                  | 90  | 3.3 | 1.6 | 10.0 | 6.0'                                  | 325 | 1.9 | 1.0 | 3.0 |

# Cylindrix® III Mini

## 3.5" Round Surface Canopy



|                 |              |
|-----------------|--------------|
| <b>PROJECT:</b> | <b>TYPE:</b> |
|-----------------|--------------|

### Dimming Compatibility

Amerlux® Cylindrix® fixtures are compatible with all major dimming protocols prevalent in the United States. Please see below for general compatibilities and wiring diagrams. Amerlux recommends testing your unique dimming configuration as the exact full configuration (*Dimmer, Fixture Quantity, Voltage, etc*) may affect dimming performance.

**--- NOTE: INFORMATION BELOW IS FOR WIRED DIMMERS ONLY. FOR WIRELESS DIMMERS, CONSULT FACTORY ---**

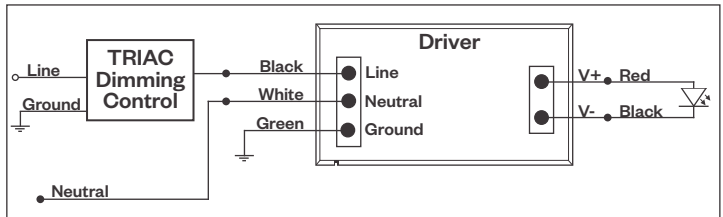
#### TRIAC (Forward Phase) Dimming

Utilizes standard TRIAC dimmers that are in wide use in installations across the US. Best for retrofit applications where TRIAC dimmers are installed.

##### Notes:

- 120VAC or 277VAC\*
- Dims down to 5% light output (*most cases*)
- Consult Dimming manufacturer for installation instructions - **DO NOT SHARE NEUTRALS!**
- Must meet dimmer Minimum Load Requirements per dimming manufacturer

#### TRIAC Wiring Diagram



| Compatible Dimmers†:    |                      |
|-------------------------|----------------------|
| Wall Box (TRIAC 120VAC) | Central System       |
| Lutron "Diva"           | Lutron "GP" Panel    |
| Lutron "Nova-T"         | Lutron Grafik Eye QS |
| Lutron "Maestro"        |                      |
| Lutron "Skylark"        |                      |

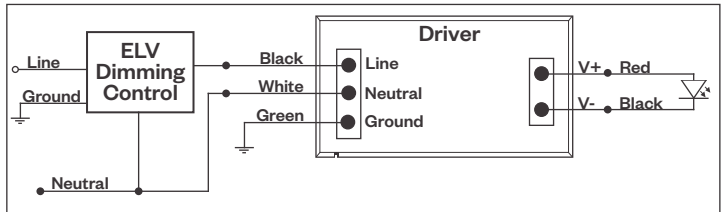
#### ELV - Electronic Low Voltage (Reverse Phase) Dimming

Utilizes specialized "ELV" dimmers.

##### Notes:

- 120VAC or 277VAC\*
- Dims down to 5% light output (*most cases*)
- Consult Dimming manufacturer for installation instructions - **DO NOT SHARE NEUTRALS!**
- Must meet dimmer Minimum Load Requirements per dimming manufacturer

#### ELV Wiring Diagram



| Compatible Dimmers†:  |                           |  |
|-----------------------|---------------------------|--|
| Wall Box (ELV 120VAC) | Wall Box (ELV 277VAC)     | Central System                               |
| Lutron "Diva"         | Leviton Revoir II AWSMT-E | Lutron "GP" Panel with PHPM-PA 120/277VAC    |
| Lutron "Nova-T"       |                           | Lutron Grafik Eye QS with PHPM-PA 120/277VAC |
| Lutron "Maestro"      |                           |  |
| Lutron "Skylark"      |                           |  |
| Leviton "Surslide"    |                           |  |
| Leviton "Vizio"       |                           |  |

**Notes:**  
 \* Driver is 277VAC dimmable with appropriate dimmer (*by others*). All provided wiring diagrams show 120VAC wiring colors and method. Please refer to 277VAC dimmer installation instructions for 277VAC wiring diagrams.  
 † The absence of a dimmer from the lists above does not imply incompatibility. Please consult factory for compatibility inquiries.



# Cylindrix® III Mini

## 3.5" Round Surface Canopy



**PROJECT:**

**TYPE:**

### Dimming Compatibility *(continued)*

Amerlux® Cylindrix® fixtures are compatible with all major dimming protocols prevalent in the United States. Please see below for general compatibilities and wiring diagrams. Amerlux recommends testing your unique dimming configuration as the exact full configuration (*Dimmer, Fixture Quantity, Voltage, etc*) may affect dimming performance.

**--- NOTE: INFORMATION BELOW IS FOR WIRED DIMMERS ONLY. FOR WIRELESS DIMMERS, CONSULT FACTORY ---**

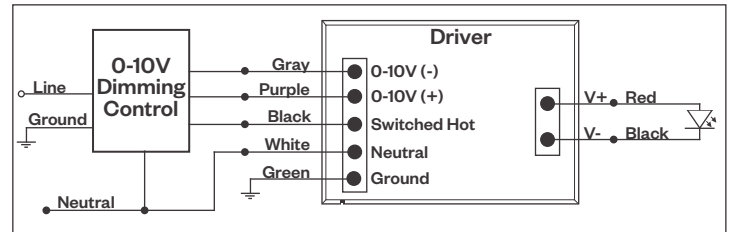
#### 0-10V Dimming

Integrates into a variety of building management and daylighting controls

**Notes:**

- 120VAC or 277VAC\*
- Dims down to 1% light output
- Requires interface to turn off power to driver
- Consult Dimming manufacturer for installation instructions - **DO NOT SHARE NEUTRALS!**

#### 0-10V Wiring Diagram



**Compatible Dimmers\*:**

| Wall Box              |                         | Central System                           |
|-----------------------|-------------------------|--|
| Lutron "Diva" - DVSTV | Leviton Renoir II 0-10V | Lutron Grafik Eye with GRX-TVI Interface |

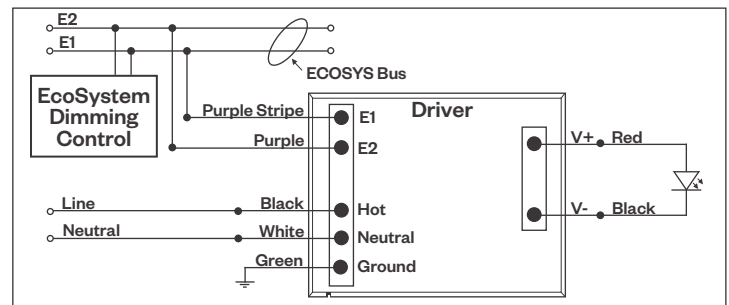
#### Lutron LDE1 Dimming

Integrates into Lutron EcoSystem building management

**Notes:**

- 120VAC or 277VAC\*
- Dims down to 1% Soft-On/Fade-to-Black
- EcoSystem Control
- Consult Dimming manufacturer for installation instructions - **DO NOT SHARE NEUTRALS!**

#### LDE1 (HILUME-H-ECO) EcoSystem Digital Control Wiring Diagram



**Compatible Dimmers\*:**

| Lutron ECO System       | Central System                       |
|-------------------------|--------------------------------------|
| Pow Pak Dimming Modules | Lutron EcoSystem compatible controls |
| Energi Savr Node        |                                      |
| Grafik Eye QS/Homeworks |                                      |
| QS Control Unit         |                                      |
| Quantum Hub             |                                      |
| Homeworks QS/My Room    |                                      |

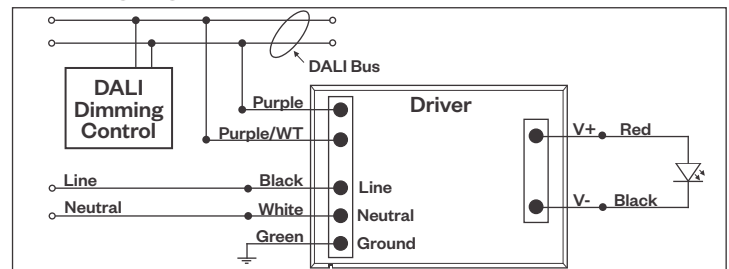
#### DALI Dimming

Digital control protocol allows individual fixture control

**Notes:**

- 120VAC - 277VAC\*
- Dims down to 1% light output in most cases

#### DALI Wiring Diagram



**Compatible Dimmers\*:**

| Wall Box (3-Wire Fluorescent) | Central System |
|-------------------------------|----------------|
| Leviton CD250 Controller      | Dynalite       |
|                               | Fifth Light    |

**Notes:**

\* Driver is 277VAC dimmable with appropriate dimmer (*by others*). All provided wiring diagrams show 120VAC wiring colors and method. Please refer to 277VAC dimmer installation instructions for 277VAC wiring diagrams.

† The absence of a dimmer from the lists above does not imply incompatibility. Please consult factory for compatibility inquiries.

# Cylindrix® III Mini

3.5" Round Surface Canopy



PROJECT:

TYPE:

## Emergency Battery Pack

Wiring Diagram

