

# Rook® 475

## 4.75" Round Pendants



### Features

The Rook 475 Pendant translates the control, performance, and comfort of our downlights into a sophisticated new format. The 475 pairs perfectly with the Evoke 4.75" Downlight. The Rook is perfect for creating drama and focused light in reception areas, office environments, and retail spaces. The new Rook 475 enhances beam control, and maintains design integrity across all of our pendant lines.

### Product Overview

Type: Round Pendant  
 Wattage: 14, 19, 27  
 Lumen Output: up to 2,311; up to 75.9 Lm/W  
 CBCP: up to 15,930  
 Color Temp: 2200K, 2700K, 3000K, 3500K, 4000K, CRISP  
 CRI: 83 typ. (2700K, 3000K, 3500K, 4000K)  
 90+ typ. (2200K, 2700K, 3000K, 3500K, 4000K)  
 CrispWhite and Class A LEDs available  
 Dimming: TRIAC & ELV (120/277VAC) - 5% Dim  
 Lutron LDE1 Hi-lume® 1% Soft-On/Fade-to-Black, 120/277VAC  
 0-10V (120/277VAC) - 1% Dim

### PROJECT:

### TYPE:



Surface Mount Pendant

### Performance Chart

| Watts              | Delivered Lumens | LPW  | Color Temp |
|--------------------|------------------|------|------------|
| <b>Rook 475 RD</b> |                  |      |            |
| 14                 | 1,294            | 92.4 | 3000K-83   |
| 19                 | 1,618            | 85.1 | 3000K-83   |
| 27                 | 2,311            | 75.9 | 3000K-83   |

*Data is based on 3000K-83 IES files available on website  
 Data is based on Very Wide Flood optics  
 See pages 5-6 for data on other beam spreads*

### Electrical Data

|      | 14W          |      | 19W          |      | 27W          |      |
|------|--------------|------|--------------|------|--------------|------|
|      | System Watts | Amps | System Watts | Amps | System Watts | Amps |
| 120V | 14           | 0.12 | 19           | 0.16 | 27           | 0.23 |
| 277V | 14           | 0.05 | 19           | 0.07 | 27           | 0.10 |

*Electronic constant current LED driver*



# Rook® 475

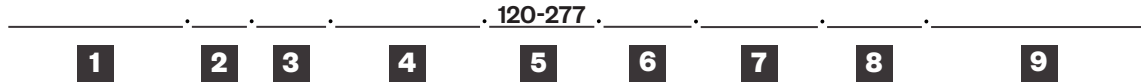
4.75" Round Pendants



## PROJECT:

## TYPE:

### Ordering Information



**1** Model  
RK475RD  
RK475RLD (Lensed)

**2** Wattage  
14  
19  
27

**3** Housing Finish  
MW - matte white  
MB - matte black  
SLV - matte silver

**4** Mounting (matches housing finish)  
CC4 - canopy/cord, 4' nominal OAL  
CC8 - canopy/cord, 8' nominal OAL  
CC12 - canopy/cord, 12' nominal OAL  
RS4 - rigid stem, 4' nominal OAL  
RS8 - rigid stem, 8' nominal OAL  
SS4 - swivel stem, 4' nominal OAL  
SS8 - swivel stem, 8' nominal OAL  
SM - surface mount  
CDCC4\* - conduit canopy/cord, 4' nominal OAL  
CDCC8\* - conduit canopy/cord, 8' nominal OAL  
CDCC12\* - conduit canopy/cord, 12' nominal OAL  
CDRS4\* - conduit rigid stem, 4' nominal OAL  
CDRS8\* - conduit rigid stem, 8' nominal OAL  
CDSM\* - conduit surface mount  
\* Consult factory for pricing  
Cord and Stem mounts are field cuttable  
For custom lengths, consult factory

**5** Voltage  
120-277

**6** Trim Finish  
SD - semi-diffuse  
CL - specular clear (not available for use with RK475-RD)

**7** Beam Spreads  
RK475-RD                      RK475-RLD  
SP - spot, 15°                      30SOL - 30° solite lens  
FL - flood, 25°                      50SOL - 50° solite lens  
WF - wide flood, 40°                      75SAT - 75° satin ice lens  
VWF - very wide  
flood, 70°

**8** Color Temp  
83 CRI                      90+ CRI  
27 - 2700K-83                      229 - 2200K-90+                      CRISP - CrispWhite  
30 - 3000K-83                      279 - 2700K-90+                      (14W only)  
35 - 3500K-83                      309 - 3000K-90+                      3CLA - 3K Class A  
40 - 4000K-83                      359 - 3500K-90+  
409 - 4000K-90+

**9** Driver  
LE/TE - TRIAC/ELV dimming, 5% dim  
0-10V - 0-10V dimming; 1% dim  
HILUME-H-ECO - Lutron LDE1 Hi-lume® 1% Soft-On/Fade-to-Black

# Rook® 475

4.75" Round Pendants



## PROJECT:

## TYPE:

### Specifications

#### Application

Retail and commercial ambient/task lighting

#### Construction

Extruded aluminum pendant housing  
Spun aluminum trim  
Die-cast aluminum heat sink

#### Optical

RK475-RD version:

Spun aluminum upper optic reflector  
Spun aluminum anodized lower reflector cone  
Beam Spreads:

Spot, 15°; Flood, 25°; Wide Flood, 40°; Very Wide Flood, 70°;

RK475-RLD version:

Engineered nano technology lens provides high transmission while concealing LED image

Beam Spreads:

**Satin Ice Lens** for maximum source concealment and wide distribution with a visually "hotter" aperture. 75° beam spread.

**Solite Lens** for maximum efficacy and a visually quieter aperture. 30° or 50° beam spread options. Visually best with SLV reflector finish.

#### LED

Color Temp Options:

2200K, 2700K, 3000K, 3500K, 4000K

CRI: 83 typ. (2700K, 3000K, 3500K, 4000K)

90+ typ. (2200K, 2700K, 3000K, 3500K, 4000K)

CrispWhite\* LED available, (14W only)

3K Class A LED available

R9 Values: 11 (83 CRI), 55 (92 CRI)

Binning: 3 MacAdam (SDCM)

Life: 50,000+ hrs, > 70% of initial lumens at 50,000 hrs

*\*CrispWhite: CrispWhite Technology delivers the warmth of colors expected from a high 90 CRI solution but also creates the natural crisp white color that is pleasing to the eye. It creates the most impactful lighting ever available, by revealing the richest whites and vibrant colors that pop.*

*\*\*Class A LED: Class A LED's have a CRI > 80 and a GAI > 80. CRI defines color "Naturalness" and GAI defines color "Saturation." Both being high delivers rich colors and pure whites.*

#### Electrical

Wattage: 14, 19, 27

Electronic constant current LED driver, 120-277VAC input

**This product complies with IEEE C62.41 for surge endurance up to 2.5KV. Amerlux® recommends using additional surge protection with this unit (supplied by others), surge and over voltage damage is not covered under warranty.**

#### Drivers

LE/TE - Leading Edge, TRIAC, forward phase/Trailing Edge, ELV, reverse phase

0-10V and Lutron also available

See pages 7-8 for more dimming information

#### Finish

Powder coat paint

Consult factory for custom finishes

#### Mounting

Canopy/cord, rigid stem, swivel stem or surface mounting

Conduit mounting also available (see pg4 for details).

Overall length (OAL) is field adjustable and factory set at  $\pm 2"$  of nominal value.

#### Certifications

CSA tested to UL standards

Indoor use only

Damp location

#### Warranty

5 year limited warranty

# Rook® 475

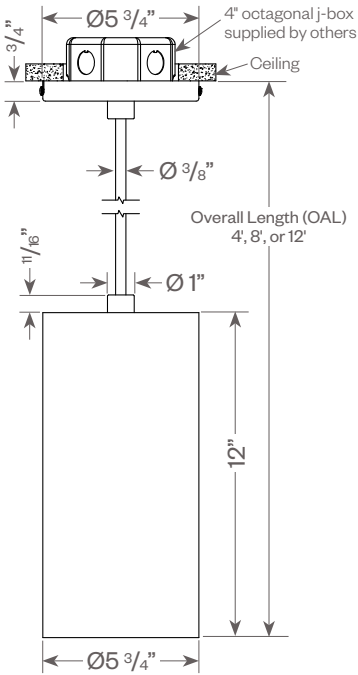
4.75" Round Pendants



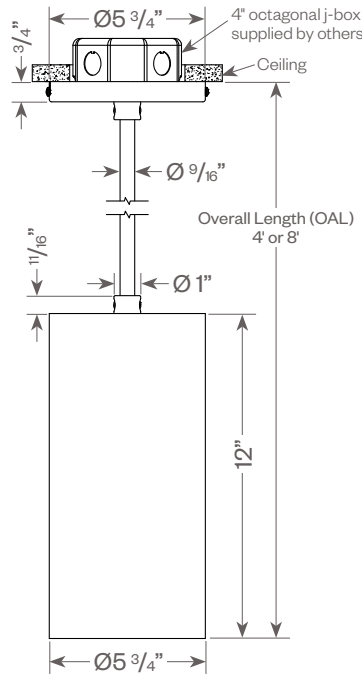
**PROJECT:**

**TYPE:**

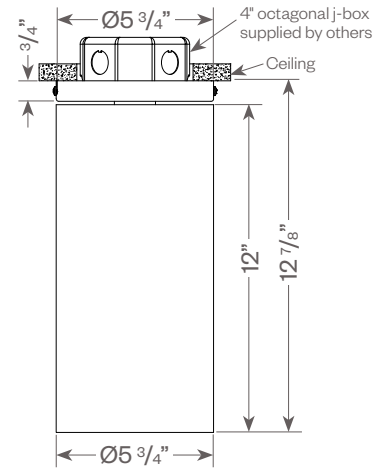
### Canopy/Cord Mounting



### Rigid Stem Mounting

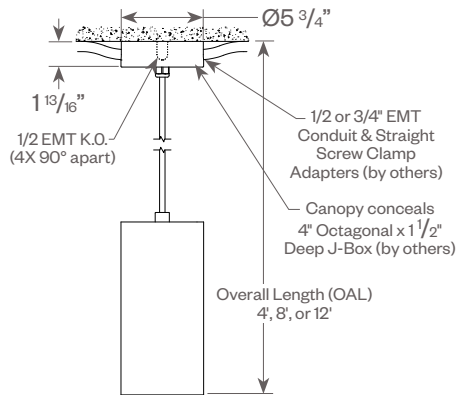


### Surface Mounting

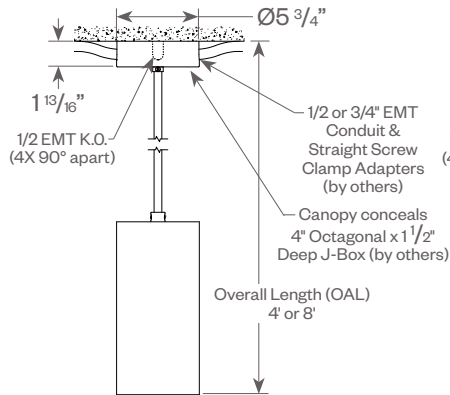


Ceiling Cut Out:  $\text{Ø} 4 \frac{1}{4}"$

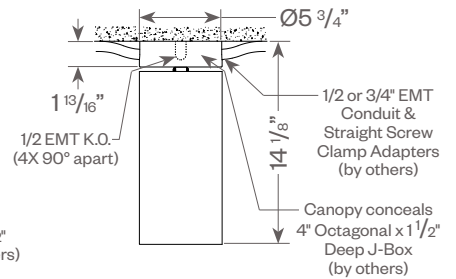
### Conduit Canopy/Cord



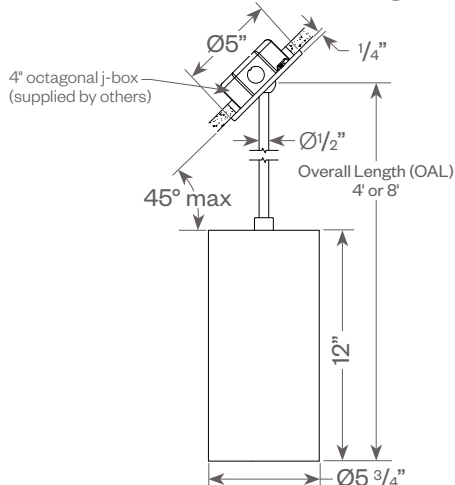
### Conduit Rigid Stem



### Conduit Surface Mount



### Swivel Stem Mounting



Ceiling Cut Out:  $\text{Ø} 4 \frac{1}{4}"$

# Rook® 475

4.75" Round Pendants



**PROJECT:**

**TYPE:**

**RK475-RD:**

**FIXTURE DATA:** (Complete photometric data (.ies format) available upon request)

**MULTIPLYING FACTORS:** (Multiplying Factor is based on 3000K-83 120V IES file on website)

| Wattage: | 14W | 19W | 27W |
|----------|-----|-----|-----|
| Factor:  | 1.0 | 1.4 | 1.7 |

**FOR 27W DATA SEE NEXT PAGE**

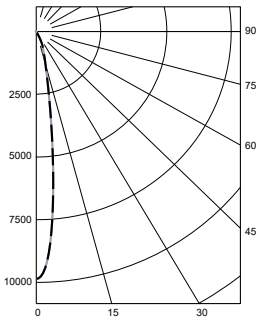
| CCT:    | 2700K-83 | 3000K-83 | 3500K-83 | 4000K-83 | 3CLA |
|---------|----------|----------|----------|----------|------|
| Factor: | 0.96     | 1.0      | 1.02     | 1.04     | 0.75 |

| CCT:    | 2200K-90 | 2700K-90+ | 3000K-90+ | 3500K-90+ | 4000K-90+ | CRISP* |
|---------|----------|-----------|-----------|-----------|-----------|--------|
| Factor: | 0.71     | 0.80      | 0.83      | 0.87      | 0.90      | 0.65   |

\* 14W only

**14W LED, 3000K-83**

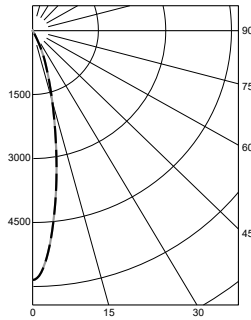
**Spot (SP) Distribution, 15°**  
LTL #1085472  
Lumens: 1,125; 72.3 Lm/W



**Candelas at Nadir**

| Deg | Candela |
|-----|---------|
| 0   | 8683    |
| 5   | 7029    |
| 15  | 1289    |
| 25  | 374     |
| 35  | 40      |
| 45  | 24      |

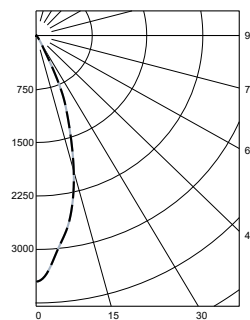
**Flood (FL) Distribution, 25°**  
LTL #1085470  
Lumens: 1,170; 75.1 Lm/W



**Candelas at Nadir**

| Deg | Candela |
|-----|---------|
| 0   | 5849    |
| 5   | 4894    |
| 15  | 1813    |
| 25  | 430     |
| 35  | 45      |
| 45  | 17      |

**Wide Flood (FL) Distribution, 40°**  
LTL # 1085471  
Lumens: 1,195; 71.9 Lm/W



**Candelas at Nadir**

| Deg | Candela |
|-----|---------|
| 0   | 3451    |
| 5   | 3074    |
| 15  | 1972    |
| 25  | 671     |
| 35  | 78      |
| 45  | 19      |

**Application Data:**

**0° Aiming Angle**  
**Horizontal**  
**Footcandles**

|                   | D     | FC  | L   |     |
|-------------------|-------|-----|-----|-----|
|                   |       |     | L   | W   |
| <b>Spot</b>       | 5.0'  | 395 | 1.3 | 1.3 |
|                   | 7.5'  | 176 | 1.8 | 1.8 |
|                   | 10.0' | 99  | 2.6 | 2.6 |
|                   | 12.5' | 63  | 3.2 | 3.2 |
| <b>Flood</b>      | 5.0'  | 235 | 1.8 | 1.8 |
|                   | 7.5'  | 104 | 2.9 | 2.9 |
|                   | 10.0' | 59  | 3.7 | 3.7 |
|                   | 12.5' | 38  | 4.7 | 4.7 |
| <b>Wide Flood</b> | 5.0'  | 138 | 2.8 | 2.8 |
|                   | 7.5'  | 62  | 4.1 | 4.1 |
|                   | 10.0' | 35  | 5.5 | 5.5 |
|                   | 12.5' | 22  | 6.9 | 6.9 |



**Notes and Definitions:**

- Beam spread is to 50% center beam candlepower (CBCP).
- D**=Distance to floor or wall.
- FC**=Footcandles on floor or wall at center beam aiming location.
- L**=Effective Visual Beam length in feet (50% of maximum footcandle level).
- W**=Effective Visual Beam width in feet (50% of maximum footcandle level).
- CB**=Distance across or down to center beam location.

# Rook® 475

4.75" Round Pendants



**PROJECT:**

**TYPE:**

**RK475-RD:**

**FIXTURE DATA:** (Complete photometric data (.ies format) available upon request)

**MULTIPLYING FACTORS:** (Multiplying Factor is based on 3000K-83 120V IES file on website)

| CCT:    | 2700K-83 | 3000K-83 | 3500K-83 | 4000K-83 | 3CLA |
|---------|----------|----------|----------|----------|------|
| Factor: | 0.96     | 1.0      | 1.02     | 1.04     | 0.75 |

| Wattage: | 14W  | 19W  | 27W |
|----------|------|------|-----|
| Factor:  | 0.56 | 0.70 | 1.0 |

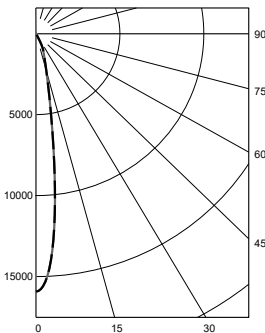
FOR 14W DATA SEE PREVIOUS PAGE

| CCT:    | 2200K-90 | 2700K-90+ | 3000K-90+ | 3500K-90+ | 4000K-90+ | CRISP* |
|---------|----------|-----------|-----------|-----------|-----------|--------|
| Factor: | 0.71     | 0.80      | 0.83      | 0.87      | 0.90      | 0.65   |

\* 14W only

**27W LED, 3000K-83**

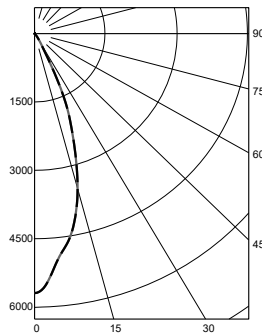
**Spot (SP) Distribution, 15°**  
LTL #1085473  
Lumens: 1,950; 66.5 Lm/W



**Candelas at Nadir**

| Deg | Candela |
|-----|---------|
| 0   | 15930   |
| 5   | 12010   |
| 15  | 2227    |
| 25  | 698     |
| 35  | 74      |
| 45  | 34      |

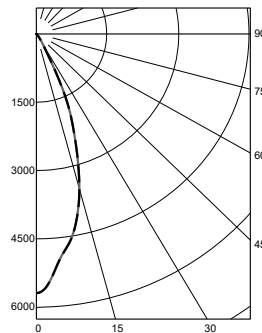
**Flood (FL) Distribution, 25°**  
LTL #1085475  
Lumens: 2,089; 71.4 Lm/W



**Candelas at Nadir**

| Deg | Candela |
|-----|---------|
| 0   | 10520   |
| 5   | 8749    |
| 15  | 3274    |
| 25  | 801     |
| 35  | 69      |
| 45  | 25      |

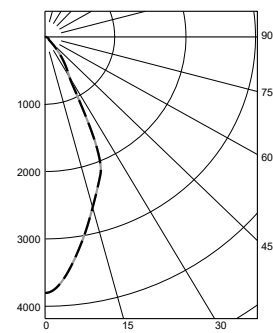
**Wide Flood (WF) Distribution, 40°**  
LTL # 1085474  
Lumens: 2,104; 71.9 Lm/W



**Candelas at Nadir**

| Deg | Candela |
|-----|---------|
| 0   | 5693    |
| 5   | 5088    |
| 15  | 3518    |
| 25  | 1239    |
| 35  | 135     |
| 45  | 27      |

**Very Wide Flood (VWF) Distribution, 70°**  
LTL # 11644246.01  
Lumens: 2,311; 75.9 Lm/W

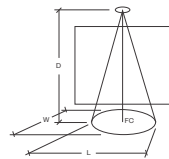


**Candelas at Nadir**

| Deg | Candela |
|-----|---------|
| 0   | 3803    |
| 5   | 3533    |
| 15  | 2608    |
| 25  | 1566    |
| 35  | 481     |
| 45  | 158     |

**Application Data:**

|            | 0° Aiming Angle<br>Horizontal<br>Footcandles |      |     |     |
|------------|--|------|-----|-----|
|            | D  | FC   | L   | W   |
| Spot       | 5.0'   | 722  | 1.3 | 1.3 |
|            | 7.5'   | 308  | 1.8 | 1.8 |
|            | 10.0'  | 170  | 2.7 | 2.7 |
|            | 12.5'  | 107  | 3.3 | 3.3 |
|            | Flood  | 5.0' | 477 | 1.7 |
| 7.5'       |  | 203  | 2.8 | 2.8 |
| 10.0'      |  | 112  | 3.6 | 3.6 |
| 12.5'      |  | 71   | 4.6 | 4.6 |
| Wide Flood |  | 5.0' | 259 | 2.8 |
|            | 7.5'   | 110  | 4.2 | 4.2 |
|            | 10.0'  | 61   | 5.6 | 5.6 |
|            | 12.5'  | 39   | 7.2 | 7.2 |
|            | Very Wide Flood                              | 5.0' | 159 | 3.5 |
| 7.5'       |  | 70   | 5.3 | 5.3 |
| 10.0'      |  | 39   | 7.1 | 7.1 |
| 12.5'      |  | 25   | 9.0 | 9.0 |



**Notes and Definitions:**

- Beam spread is to 50% center beam candlepower (CBCP).
- D=Distance to floor or wall.
- FC=Footcandles on floor or wall at center beam aiming location.
- L=Effective Visual Beam length in feet (50% of maximum footcandle level).
- W=Effective Visual Beam width in feet (50% of maximum footcandle level).
- CB=Distance across or down to center beam location.

# Rook® 475

4.75" Round Pendants



## PROJECT:

## TYPE:

### DIMMING COMPATIBILITY:

Amerlux® Rook fixtures are compatible with all major dimming protocols prevalent in the United States. Please see below for general compatibilities and wiring diagrams. Amerlux recommends testing your unique dimming configuration as the exact full configuration (Dimmer, Fixture Quantity, Voltage, etc) may affect dimming performance.

**--- NOTE: INFORMATION BELOW IS FOR WIRED DIMMERS ONLY. FOR WIRELESS DIMMERS, CONSULT FACTORY ---**

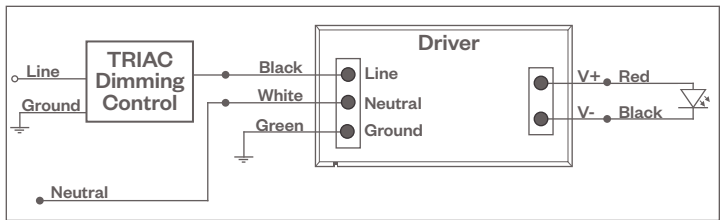
### TRIAC (Forward Phase) DIMMING (Standard)

Utilizes standard TRIAC dimmers that are in wide use in installations across the US. Best for retrofit applications where TRIAC dimmers are installed.

#### Notes:

- 120VAC or 277VAC\*
- Dims down to 5% light output (most cases)
- Consult Dimming manufacturer for installation instructions - DO NOT SHARE NEUTRALS!
- Must meet dimmer Minimum Load Requirements per dimming manufacturer

TRIAC Wiring Diagram



#### Compatible Dimmers†:

##### Wall Box (TRIAC 120VAC)

Lutron "Diva"  
Lutron "Nova-T"  
Lutron "Maestro"  
Lutron "Skylark"

##### Central System

Lutron "GP" Panel  
Lutron Grafik Eye QS

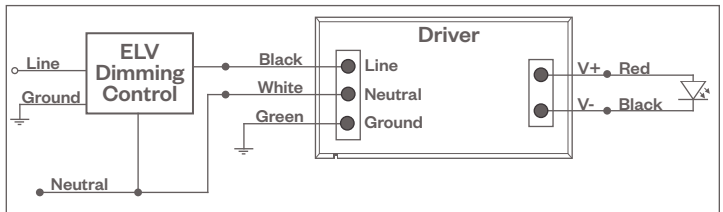
### ELV - Electronic Low Voltage (Reverse Phase) DIMMING (Standard)

Utilizes specialized "ELV" dimmers.

#### Notes:

- 120VAC or 277VAC\*
- Dims down to 5% light output (most cases)
- Consult Dimming manufacturer for installation instructions - DO NOT SHARE NEUTRALS!
- Must meet dimmer Minimum Load Requirements

ELV Wiring Diagram



#### Compatible Dimmers†:

##### Wall Box (ELV 120VAC)

Lutron "Diva"  
Lutron "Nova-T"  
Lutron "Maestro"  
Lutron "Skylark"  
Leviton "Surslide"  
Leviton "Vizio"

##### Wall Box (ELV 277VAC)

Leviton Revoir II AWSMT-E

##### Central System

Lutron "GP" Panel with PHPM-PA 120/277VAC  
Lutron Grafik Eye QS with PHPM-PA 120/277VAC

#### Notes:

- \* Driver is 277VAC dimmable with appropriate dimmer (by others). All provided wiring diagrams show 120VAC wiring colors and method. Please refer to 277VAC dimmer manufacturer installation instructions for 277VAC wiring diagrams.
- † The absence of a dimmer from the lists above does not imply incompatibility. Please consult factory for compatibility inquiries.

# Rook® 475

4.75" Round Pendants



**PROJECT:**

**TYPE:**

**DIMMING COMPATIBILITY:**

Amerlux® Rook fixtures are compatible with all major dimming protocols prevalent in the United States. Please see below for general compatibilities and wiring diagrams. Amerlux recommends testing your unique dimming configuration as the exact full configuration (Dimmer, Fixture Quantity, Voltage, etc) may affect dimming performance.

**--- NOTE: INFORMATION BELOW IS FOR WIRED DIMMERS ONLY. FOR WIRELESS DIMMERS, CONSULT FACTORY ---**

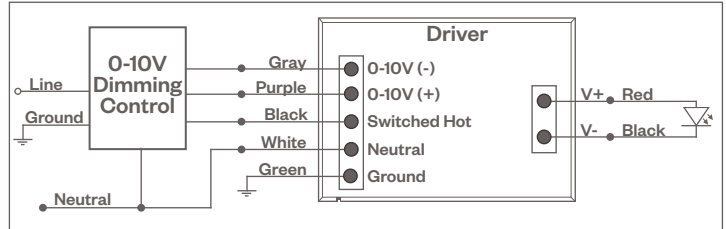
**0-10V DIMMING**

Integrates into a variety of building management and daylighting controls

**Notes:**

- 120VAC or 277VAC\*
- Dims down to 1% light output
- Requires interface to turn off power to driver
- Consult Dimming manufacturer for installation instructions - DO NOT SHARE NEUTRALS!

**0-10V Wiring Diagram**



**Compatible Dimmers†:**

**Wall Box**

Lutron "Diva" - DVSTV | Leviton Renoir II 0-10V

**Central System**

Lutron Grafik Eye with GRX-TV1 Interface

**LUTRON LDE1 DIMMING**

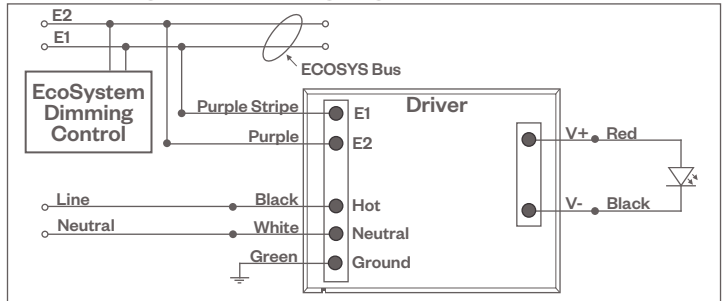
Integrates into Lutron EcoSystem building management

**Notes:**

- 120VAC or 277VAC\*
- Dims down to 1% Soft-On/Fade-to-Black
- EcoSystem Control
- Consult Dimming manufacturer for installation instructions - DO NOT SHARE NEUTRALS!

**Lutron LDE1 (HILUME-H-ECO)**

**EcoSystem Digital Control Wiring Diagram**



**Compatible Dimmers†:**

**Lutron ECO System**

Pow Pak Dimming Modules  
Energj Savr Node  
Grafik Eye QS/Homeworks  
QS Control Unit  
Quantum Hub  
Homeworks QS/My Room

**Central System**

Lutron EcoSystem compatible controls

**Notes:**

- \* Driver is 277VAC dimmable with appropriate dimmer (by others). All provided wiring diagrams show 120VAC wiring colors and method. Please refer to 277VAC dimmer manufacturer installation instructions for 277VAC wiring diagrams.
- † The absence of a dimmer from the lists above does not imply incompatibility. Please consult factory for compatibility inquiries.