

# Rook® 350

## 3.5" Round Pendants



PROJECT:

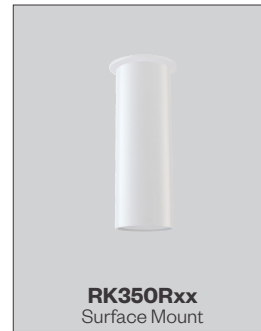
TYPE:

### Features

High style, yet also versatile. Spare and modern, yet warm and welcoming. This striking Rook 350 re-imagines the Hornet HP Downlight line in a popular new pendant form. It's a fabulous solution for open ceilings, with the same aperture and drivers as Hornet HP Downlights—and yet its own distinctive style shines through. Rook 350 Pendant. Simply stunning.

### Product Overview

Type: Round Pendant  
 Wattage: RD: 11W, 16W, 18W  
 RLD/RLW: 14W, 21W  
 Color Temp: 2200K, 2700K, 3000K, 3500K, 4000K  
 CRI: 83 typ. (2700K, 3000K, 3500K, 4000K)  
 90+ typ. (2200K, 2700K, 3000K, 3500K, 4000K)  
 CrispWhite & Class A LEDs available  
 Dimming: TRIAC & ELV, 5% Dim, 120/277VAC  
 Lutron LDE1 Hi-lume® 1% Soft-On/Fade-to-Black, 120V/277VAC  
 0-10V, 1% dim, 120V/277VAC



### Certifications



### Fixture Summary

#### Performance Data

Watts	Delivered Lumens	LPW	CBCP	Color Temp-CRI
<b>Rook 350 RD</b>				
11	808	73.5	7643	3000K-83
16	1177	73.6	11,132	3000K-83
18	1323	65.5	12,508	3000K-83
<b>Rook 350 RLD</b>				
14	1368	97.7	3688	3000K-83
21	2042	97.2	5504	3000K-83
<b>Rook 350 RLW</b>				
14	1324	94.6	-	3000K-83
21	1976	94	-	3000K-83

Data is based on 3000K-83 120V IES files available on website. See pages 6-8 for data on other beam spreads.

#### Electrical Data

Voltage	Rook 350 RD						Rook 350 RLD/RLW			
	11W		16W		18W		14W		21W	
	System Watts	Amps	System Watts	Amps	System Watts	Amps	System Watts	Amps	System Watts	Amps
120V	11	0.09	16	0.13	18	0.15	14	0.12	21	0.18
277V	11	0.04	16	0.06	18	0.06	14	0.05	21	0.08

Electronic constant current LED driver

# Rook® 350

## 3.5" Round Pendants



PROJECT:

TYPE:

### Ordering Information

1	2	3	4	5	6	7	8	9
---	---	---	---	---	---	---	---	---

1 Model	2 Wattage	3 Housing Finish
<b>RK350RD</b>	<b>RK350RD</b> <b>RK350RLD/RLW</b>	<b>MW</b> matte white
<b>RK350RD-REMOTE</b> (remote driver)	<b>11</b> <b>14</b>	<b>MB</b> matte black
<b>RK350RLD</b> (lensed)	<b>16</b> <b>21</b>	<b>SLV</b> matte silver
<b>RK350RLD-REMOTE</b> (lensed, remote driver)	<b>18<sup>o</sup></b>	
<b>RK350RLW</b> (lensed wall wash)	<sup>o</sup> <i>Not available for use with CrispWhite color temp.</i>	
<b>RK350RLW-REMOTE</b> (lensed wall wash, remote driver)		

4 Mounting (matches housing finish)	
<p><b>Canopy/Cord</b></p> <p><b>CC4</b> canopy/cord, 4' nominal OAL, 120V-277V</p> <p><b>CC8</b> canopy/cord, 8' nominal OAL, 120V-277V</p> <p><b>CC12</b> canopy/cord, 12' nominal OAL, 120V-277V</p> <p><b>CDCC4</b> conduit canopy, 4' nominal OAL, 120V-277V</p> <p><b>CDCC8</b> conduit canopy, 8' nominal OAL, 120V-277V</p> <p><b>CDCC12</b> conduit canopy, 12' nominal OAL, 120V-277V</p> <p><b>Stem</b></p> <p><b>RS4</b> rigid stem, 4' nominal OAL, 120V-277V</p> <p><b>RS8</b> rigid stem, 8' nominal OAL, 120V-277V</p> <p><b>SS4<sup>R</sup></b> swivel stem, 4' nominal OAL, 120V-277V</p> <p><b>SS8<sup>R</sup></b> swivel stem, 8' nominal OAL, 120V-277V</p> <p><b>CDRS4</b> conduit rigid stem, 4' nominal OAL, 120V-277V</p> <p><b>CDRS8</b> conduit rigid stem, 4' nominal OAL, 120V-277V</p> <p><sup>R</sup> <i>Not available for use with remote driver. Consult factory for conduit mounting pricing. Cord and Stem mounts are field cuttable. For custom lengths, consult factory.</i></p>	<p><b>Surface</b></p> <p><b>SM<sup>R</sup></b> surface mount, 120V-277V</p> <p><b>CDSM<sup>R</sup></b> conduit surface mount, 120V-277V</p> <p><b>Track/Cord</b> (for use with LE/TE driver only)</p> <p><b>TC8-TN1<sup>R</sup></b> straight cord 8', Global GES 1cir/H-Style, 120V</p> <p><b>TC8-TEK<sup>R</sup></b> straight cord 8', Global TEK 2cir/2neut, 120V</p> <p><b>TC8-TN3<sup>R</sup></b> straight cord 8', Global XTS 3cir, 120V</p> <p><b>TC8-TN2<sup>R</sup></b> straight cord 8', Global HTEK 2cir/2neut, 277V</p> <p><b>TC8-CT<sup>R</sup></b> straight cord 8', J-Style, 120V</p> <p><b>TC8-LOL<sup>R</sup></b> straight cord 8', L-Style 1cir, 120V</p>

5 Voltage	6 Trim Finish	7 Beam Spread (not applicable on RK350RLW)
<b>120*</b>	<b>MW</b> matte white	<b>RK350RD</b> <b>RK350RLD</b>
<b>277*</b>	<b>MB</b> matte black	<b>SP</b> spot, 15° <b>30SOL</b> 30° solite lens
<b>120-277</b>	<b>SLV</b> matte silver	<b>NF</b> narrow flood, 20° <b>50SOL</b> 50° solite lens
<i>*For use with track/cord mounting options.</i>		<b>MFL</b> medium flood, 24° <b>65SOL</b> 65° solite lens
		<b>FL</b> flood, 28° <b>75SAT</b> 75° satin ice lens
		<b>WF</b> wide flood, 45°
		<b>VWF</b> very wide flood, 60°
		<b>LS</b> linear spread, 60°x10°

8 Color Temp	9 Driver
<b>83 CRI</b> <b>90+ CRI</b>	<b>LE/TE</b> TRIAC/ELV dimming, 5% dim
<b>27</b> 2700K-83 <b>279</b> 2700K-90+ <b>CRISP<sup>+</sup></b> CrispWhite	<b>0-10V</b> 0-10V dimming, 1% dim
<b>30</b> 3000K-83 <b>309</b> 3000K-90+ <b>3CLA</b> 3K Class A	<b>HILUME-H-ECO</b> Lutron LDE1 Hi-lume®
<b>35</b> 3500K-83 <b>359</b> 3500K-90+	1% Soft-On/Fade-to-Black
<b>40</b> 4000K-83 <b>409</b> 4000K-90+	
<i>* Not available for 18W RD model</i>	

# Rook® 350

## 3.5" Round Pendants



PROJECT:

TYPE:

### Specifications

#### Application

Retail and commercial ambient/task lighting

#### Construction

Extruded aluminum pendant housing  
Die-cast trim  
Extruded aluminum heat sink

#### Optical

##### RK350RD Beam Spreads:

Spot, 15°; Narrow Flood, 22°; Medium Flood, 25°; Flood, 28°;  
Wide Flood, 45°; Very Wide Flood, 60°; Linear Spread, 60° x 10°

##### RK350RLD Beam Spreads:

**Satin Ice Lens** for maximum source concealment and wide distribution with a visually "hotter" aperture. 75° beam spread.

**Solite Lens** for maximum efficacy and a visually quieter aperture. 30°, 50° & 65° beam spread options. Visually best with SLV reflector finish.

RK350RLW: Engineered nano technology lens provides high transmission while concealing LED image.

#### LED

Color Temp Options: 2200K, 2700K, 3000K, 3500K, 4000K

CRI: 83 typ. (2700K, 3000K, 3500K, 4000K)

90+ typ. (2200K, 2700K, 3000K, 3500K, 4000K)

CrispWhite\* LED available (16W max RD version)

Class A\*\* 3000K LED available

R9 Values: 11 (83 CRI), 55 (92 CRI)

Binning: 3 MacAdam (SDCM)

Life: 50,000+ hrs, > 70% of initial lumens at 50,000 hrs

\* **CrispWhite:** CrispWhite Technology delivers the warmth of colors expected from a high 90 CRI solution but also creates the natural crisp white color that is pleasing to the eye. It creates the most impactful lighting ever available, by revealing the richest whites and vibrant colors that pop.

\*\* **Class A LED:** Class A LED's have a CRI > 80 and a GAI > 80. CRI defines color "Naturalness" and GAI defines color "Saturation." Both being high delivers rich colors and pure whites.

#### Electrical

Wattage: 11W, 16W, 18W (RD version) or 14W, 21W (RLD/RLW version)

Electronic constant current LED driver, 120V-277V input

**This product complies with IEEE C62.41 for surge endurance up to 2.5KV. Amerlux® recommends using additional surge protection with this unit (supplied by others), surge and over voltage damage is not covered under warranty.**

#### Drivers

LE/TE - Leading Edge (Triac, Forward Phase) or Trailing Edge (ELV, Reverse Phase) autosensing driver dims down to 5% on most dimming systems.

0-10V and Lutron also available

See pages 9-10 for more dimming information

#### Finish

Powder coat paint

Consult factory for custom finishes

#### Mounting

Canopy/cord, rigid stem, swivel stem (not available for use with remote driver) or surface mounting (not available for use with remote driver)

Conduit mounting also available (see pg 4 for details).

Overall length (OAL) is field adjustable and factory set at ± 2" of nominal value.

Straight cord track mounting also available.

#### Certifications

CSA tested to UL standards

Indoor use only

Damp location

#### Warranty

5 year limited warranty

# Rook® 350

## 3.5" Round Pendants

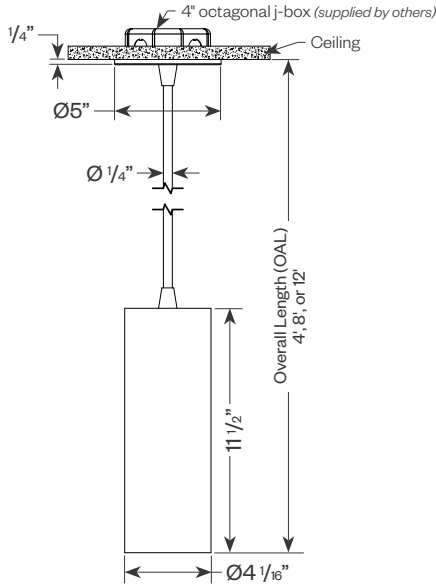


PROJECT:

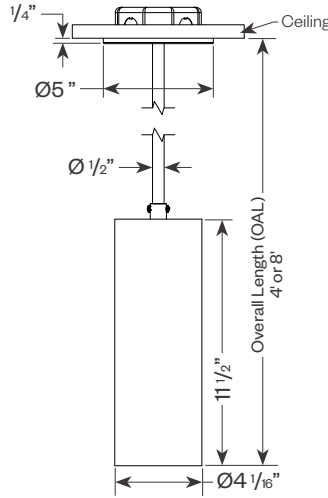
TYPE:

### Product Details

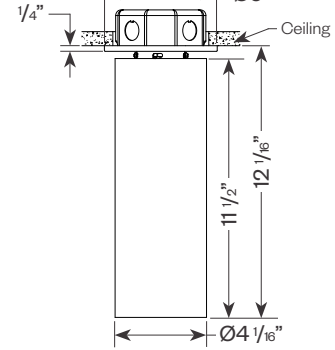
#### Canopy/Cord Mounting



#### Rigid Stem Mounting

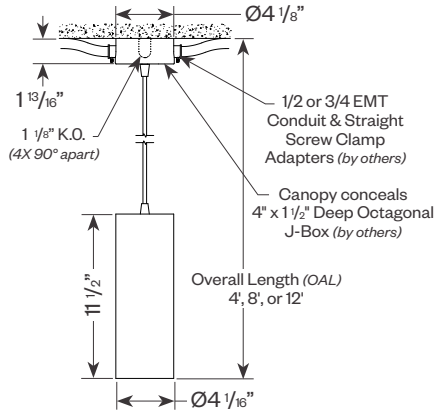


#### Surface Mounting

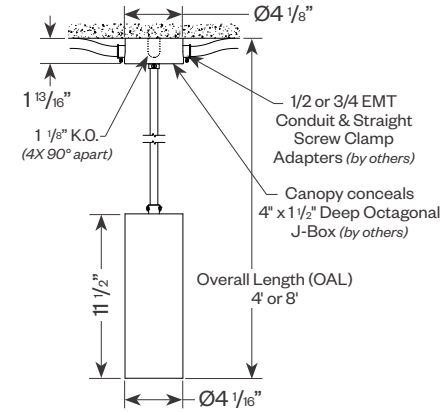


Ceiling Cut Out: Ø4 1/4"

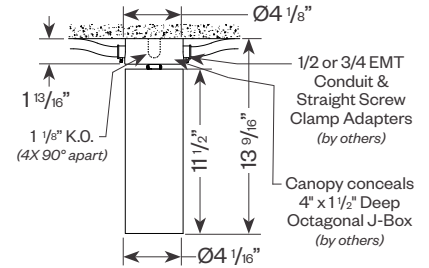
#### Conduit Canopy/Cord Mounting



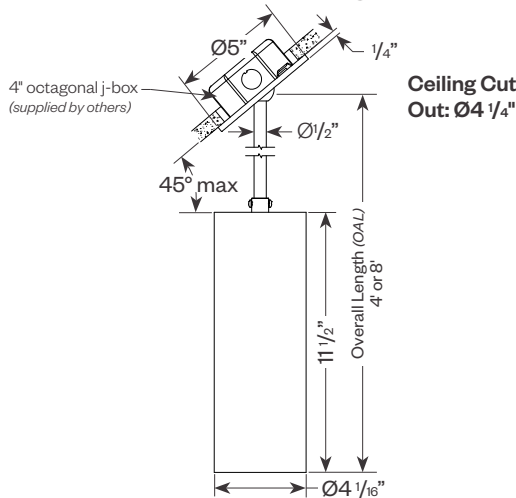
#### Conduit Rigid Stem Mounting



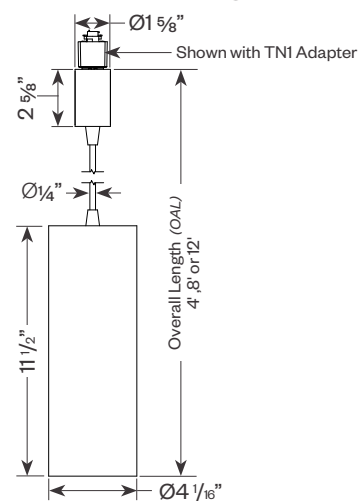
#### Conduit Surface Mounting



#### Swivel Stem Mounting



#### Straight Cord Track Mounting



# Rook® 350

## 3.5" Round Pendants

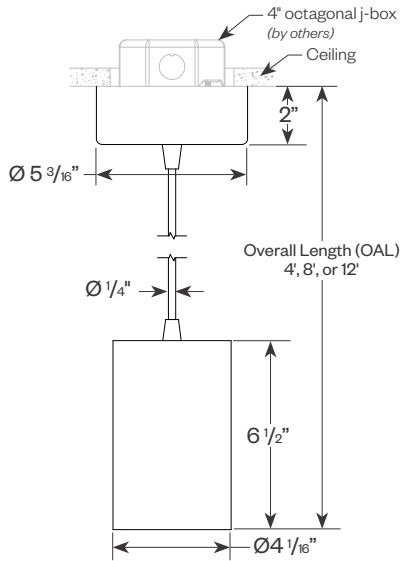


PROJECT:

TYPE:

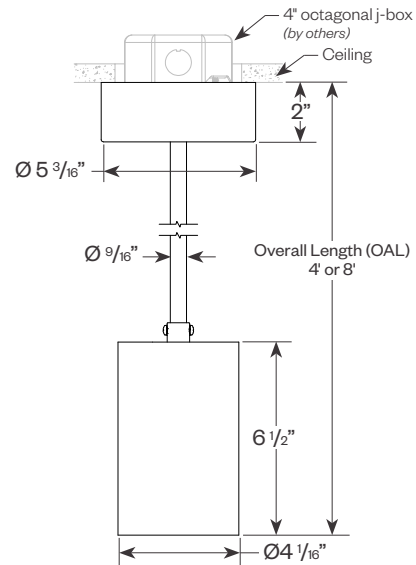
### Product Details (continued)

#### Remote Driver Canopy/Cord Mounting

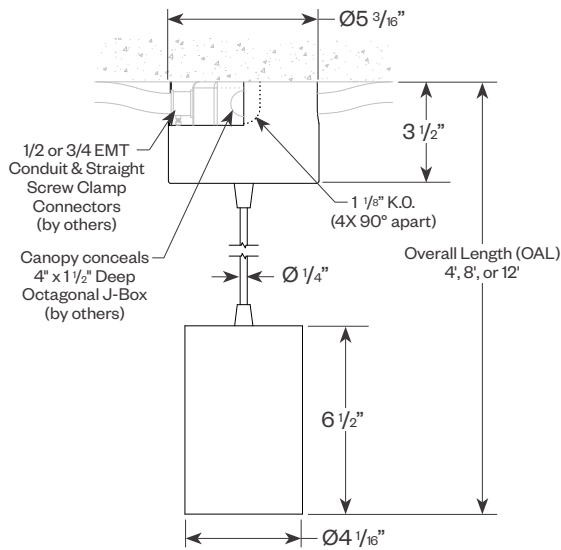


Ceiling Cut Out: Ø 4 1/4"

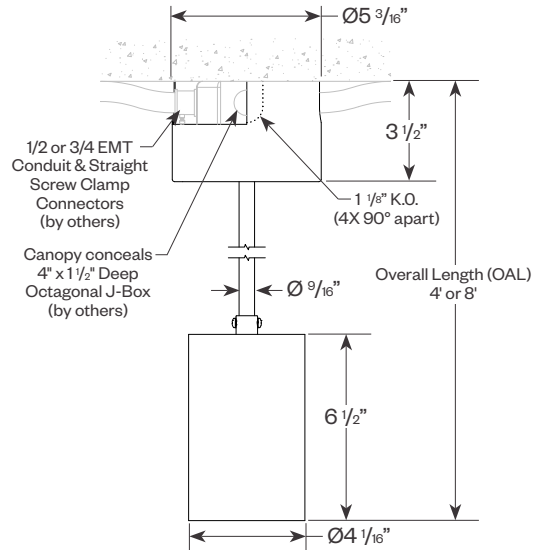
#### Remote Driver Rigid Stem Mounting



#### Remote Driver Conduit Canopy/Cord Mounting



#### Remote Driver Conduit Rigid Stem Mounting



# Rook® 350

## 3.5" Round Pendants



PROJECT:

TYPE:

### Performance Data - RK350RD/RK350RD-REMOTE

Multiplying Factors: (Multiplying Factor is based on 3000K-83 120V IES file on website)

OCT:	2700K-83	3000K-83	3500K-83	4000K-83
Factor:	0.96	1.0	1.02	1.04

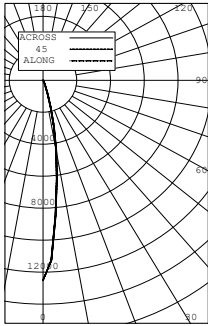
Wattage:	11W	16W	18W
Factor:	0.61	0.89	1.0

OCT:	2200K-90+	2700K-90+	3000K-90+	3500K-90+	4000K-90+	CRISP*	3CLA
Factor:	0.71	0.80	0.83	0.87	0.90	0.65	0.75

\* Not available for use with 18W

### 18W, 3000K-83

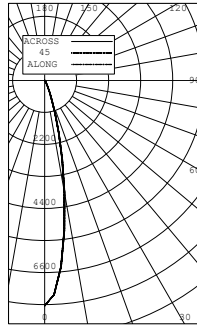
Spot (SP) Distribution, 15°  
LTL #818231  
Lumens: 1,323



Candelas at Nadir

Deg	Candela
0	12508
5	8495
15	1754
25	190
35	32
45	3

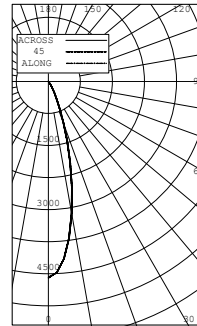
Narrow Flood (NF) Distribution, 22°  
LTL #818232  
Lumens: 1,236



Candelas at Nadir

Deg	Candela
0	7734
5	6428
15	1866
25	277
35	45
45	4

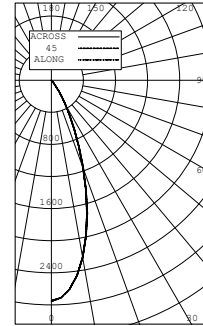
Flood (FL) Distribution, 28°  
LTL # 818234  
Lumens: 1,185



Candelas at Nadir

Deg	Candela
0	4691
5	4168
15	1966
25	470
35	72
45	4

Wide Flood (WF) Distribution, 45°  
LTL # 818235  
Lumens: 1,123



Candelas at Nadir

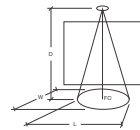
Deg	Candela
0	2751
5	2614
15	1719
25	676
35	141
45	7

### Application Data - RK350RD/RK350RD-REMOTE



0° Aiming Angle  
Horizontal  
Footcandles

	0° Aiming Angle Horizontal Footcandles			
	D	FC	L	W
Spot	5.0'	292	1.9	1.9
	7.5'	163	2.6	2.6
	10.0'	102	3.2	3.2
	12.5'	69	3.7	3.7
Narrow Flood	5.0'	231	2.1	2.1
	7.5'	120	2.9	2.9
	10.0'	71	3.7	3.7
	12.5'	47	4.6	4.6
Flood	5.0'	150	2.7	2.7
	7.5'	74	3.6	3.6
	10.0'	43	4.8	4.8
	12.5'	28	5.8	5.8
Wide Flood	5.0'	97	3.2	3.2
	7.5'	46	4.6	4.6
	10.0'	27	6.1	6.1
	12.5'	17	7.5	7.5



#### Notes and Definitions:

Beam spread is to 50% center beam candlepower (CBCP).

D=Distance to floor or wall.

FC=Footcandles on floor or wall at center beam aiming location.

L=Effective Visual Beam length in feet (50% of maximum footcandle level).

W=Effective Visual Beam width in feet (50% of maximum footcandle level).

# Rook® 350

## 3.5" Round Pendants



PROJECT:

TYPE:

### Performance Data - RK350RLD/RK350RLD-REMOTE

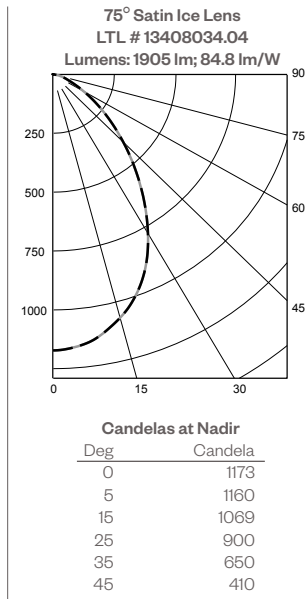
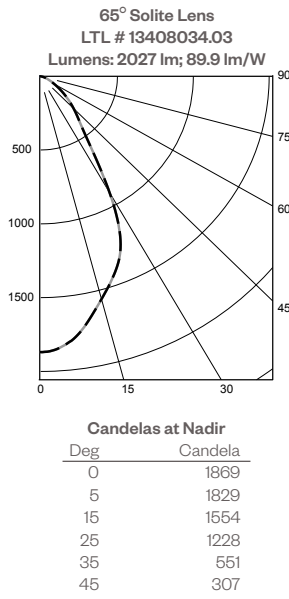
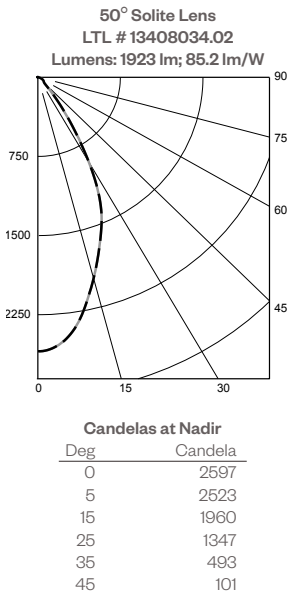
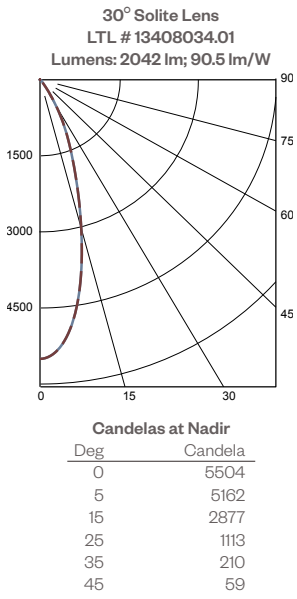
Multiplying Factors: (Multiplying Factor is based on 3000K-83 120V IES file on website)

OCT:	2700K-83	3000K-83	3500K-83	4000K-83
Factor:	0.96	1.0	1.02	1.04

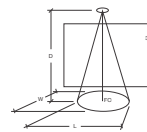
Wattage:	14W	21W
Factor:	0.67	1.0

OCT:	2200K-90+	2700K-90+	3000K-90+	3500K-90+	4000K-90+	CRISP*	3CLA
Factor:	0.71	0.80	0.83	0.87	0.90	0.65	0.75

#### 21W, 3000K-83



### Application Data - RK350RLD/RK350RLD-REMOTE



#### Notes and Definitions:

Beam spread is to 50% center beam candlepower (CBCP).

**D**=Distance to floor or wall.

**FC**=Footcandles on floor or wall at center beam aiming location.

**L**=Effective Visual Beam length in feet (50% of maximum footcandle level).

**W**=Effective Visual Beam width in feet (50% of maximum footcandle level).

30° Solite Lens  
0° Aiming Angle  
Horizontal Footcandles

D	FC	L	W
5.0'	221	2.7	2.7
7.5'	98	3.9	3.9
10.0'	55	5.2	5.2
12.5'	36	6.5	6.5

50° Solite Lens  
0° Aiming Angle  
Horizontal Footcandles

D	FC	L	W
5.0'	104	3.8	3.8
7.5'	47	5.8	5.8
10.0'	26	7.8	7.8
12.5'	17	9.7	9.7

65° Solite Lens  
0° Aiming Angle  
Horizontal Footcandles

D	FC	L	W
5.0'	75	4.5	4.4
7.5'	34	6.8	6.8
10.0'	19	9.3	9.3
12.5'	13	11.8	11.8

75° Satin Ice Lens  
0° Aiming Angle  
Horizontal Footcandles

D	FC	L	W
5.0'	47	5.2	5.2
7.5'	21	7.9	7.9
10.0'	12	10.7	10.7
12.5'	8	14.0	14.0

# Rook® 350

## 3.5" Round Pendants



PROJECT:

TYPE:

### Performance Data - RK350RLW/RK350RLW-REMOTE

Multiplying Factors: (Multiplying Factor is based on 3000K-83 120V IES file on website)

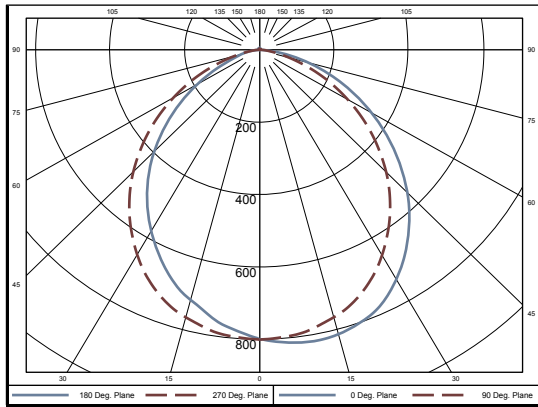
CCT:	2700K-83	3000K-83	3500K-83	4000K-83
Factor:	0.96	1.0	1.02	1.04

Wattage:	14W	21W
Factor:	0.67	1.0

CCT:	2200K-90+	2700K-90+	3000K-90+	3500K-90+	4000K-90+	CRISP	3CLA
Factor:	0.71	0.80	0.83	0.87	0.90	0.65	0.75

21W, 3000K-83

Wall Wash  
LTL # 13408034.05  
Lumens: 1976 lm



#### ZONAL LUMEN SUMMARY

Zone	Lumens	%Fixt
0-40	992	50.2
0-60	1665	84.3
0-90	1976	100.0
90-180	0	0.0

Luminaire Efficacy: 87.9 Lm/W

### Application Data - RK350RLD/RK350RLD-REMOTE (footcandles on wall)

Footcandles are average and rounded off. Data for multiple units are based on a minimum of five units.

1.5 Feet from Wall

Distance from ceiling	0.5'	1.5'	2.5'	3.5'	4.5'	5.5'	6.5'	7.5'
0.5'	91	95	96	95	91			
1.5'	146	155	159	156	147			
2.5'	104	113	115	113	104			
3.5'	63	70	72	70	64			
4.5'	40	43	45	44	40			
5.5'	27	29	30	30	27			
6.5'	20	21	22	21	20			
7.5'	16	16	17	17	16			

1.5 Feet from Wall

Distance from ceiling	0.5'	1.5'	2.5'	3.5'	4.5'	5.5'	6.5'	7.5'
0.5'	37	40	37	40	37	40	36	
1.5'	72	77	75	78	74	77	72	
2.5'	69	73	74	75	74	73	69	
3.5'	48	52	54	54	54	52	49	
4.5'	33	36	37	38	37	36	33	
5.5'	23	26	27	27	27	26	24	
6.5'	17	19	20	20	20	19	18	
7.5'	14	15	16	16	16	15	14	

2 Feet from Wall

Distance from ceiling	0.5'	1.5'	2.5'	3.5'	4.5'	5.5'	6.5'	7.5'
0.5'	39	44	42	44	43	44	41	
1.5'	83	90	90	92	90	90	83	
2.5'	77	83	85	87	86	84	77	
3.5'	55	59	62	63	62	60	55	
4.5'	38	41	43	44	43	42	38	
5.5'	27	30	31	31	31	30	28	
6.5'	21	22	23	23	23	22	21	
7.5'	16	17	18	18	18	17	16	



# Rook® 350

## 3.5" Round Pendants



PROJECT:

TYPE:

### Dimming Compatibility

Amerlux® Rook® fixtures are compatible with all major dimming protocols prevalent in the United States. Please see below for general compatibilities and wiring diagrams. Amerlux recommends testing your unique dimming configuration as the exact full configuration (*Dimmer, Fixture Quantity, Voltage, etc*) may affect dimming performance.

--- NOTE: INFORMATION BELOW IS FOR WIRED DIMMERS ONLY. FOR WIRELESS DIMMERS, CONSULT FACTORY ---

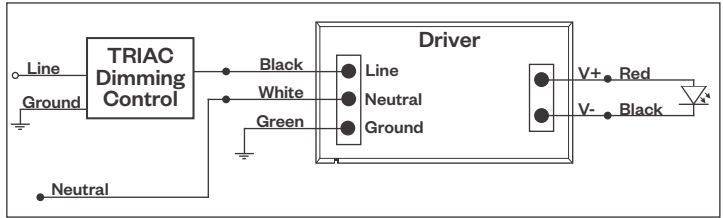
#### TRIAC (Forward Phase) Dimming

Utilizes standard TRIAC dimmers that are in wide use in installations across the US. Best for retrofit applications where TRIAC dimmers are installed.

##### Notes:

- 120VAC or 277VAC\*
- Dims down to 5% light output (*most cases*)
- Consult Dimming manufacturer for installation instructions - **DO NOT SHARE NEUTRALS!**
- Must meet dimmer Minimum Load Requirements per dimming manufacturer

#### TRIAC Wiring Diagram



Compatible Dimmers†:	
Wall Box (TRIAC 120VAC)	Central System
Lutron "Diva"	Lutron "GP" Panel
Lutron "Nova-T"	Lutron Grafik Eye QS
Lutron "Maestro"	
Lutron "Skylark"	

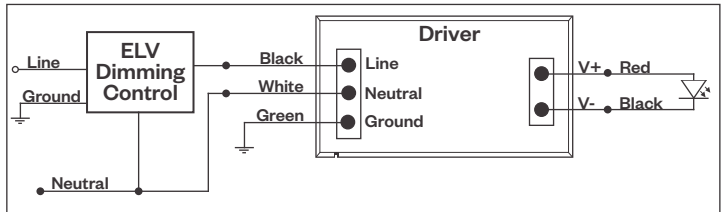
#### ELV - Electronic Low Voltage (Reverse Phase) Dimming

Utilizes specialized "ELV" dimmers.

##### Notes:

- 120VAC or 277VAC\*
- Dims down to 5% light output (*most cases*)
- Consult Dimming manufacturer for installation instructions - **DO NOT SHARE NEUTRALS!**
- Must meet dimmer Minimum Load Requirements per dimming manufacturer

#### ELV Wiring Diagram



Compatible Dimmers†:		
Wall Box (ELV 120VAC)	Wall Box (ELV 277VAC)	Central System
Lutron "Diva"	Leviton Revoir II AWSMT-E	Lutron "GP" Panel with PHPM-PA 120/277VAC
Lutron "Nova-T"		Lutron Grafik Eye QS with PHPM-PA 120/277VAC
Lutron "Maestro"		
Lutron "Skylark"		
Leviton "Surslide"		
Leviton "Vizio"		

##### Notes:

\* Driver is 277VAC dimmable with appropriate dimmer (*by others*). All provided wiring diagrams show 120VAC wiring colors and method. Please refer to 277VAC dimmer installation instructions for 277VAC wiring diagrams.

† The absence of a dimmer from the lists above does not imply incompatibility. Please consult factory for compatibility inquiries.

# Rook® 350

## 3.5" Round Pendants



PROJECT:

TYPE:

### Dimming Compatibility (continued)

Amerlux® Rook® fixtures are compatible with all major dimming protocols prevalent in the United States. Please see below for general compatibilities and wiring diagrams. Amerlux recommends testing your unique dimming configuration as the exact full configuration (*Dimmer, Fixture Quantity, Voltage, etc*) may affect dimming performance.

**--- NOTE: INFORMATION BELOW IS FOR WIRED DIMMERS ONLY. FOR WIRELESS DIMMERS, CONSULT FACTORY ---**

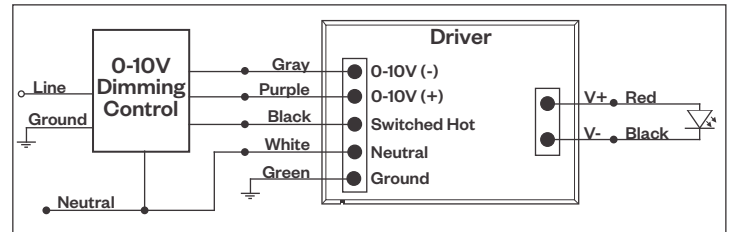
#### 0-10V DIMMING

Integrates into a variety of building management and daylighting controls

**Notes:**

- 120VAC or 277VAC\*
- Dims down to 1% light output
- Requires interface to turn off power to driver
- Consult Dimming manufacturer for installation instructions - **DO NOT SHARE NEUTRALS!**

#### 0-10V Wiring Diagram



**Compatible Dimmers\*:**

Wall Box	Central System
Lutron "Diva" - DVSTV	Lutron Grafik Eye with GRX-TVI Interface
Leviton Renoir II 0-10V	

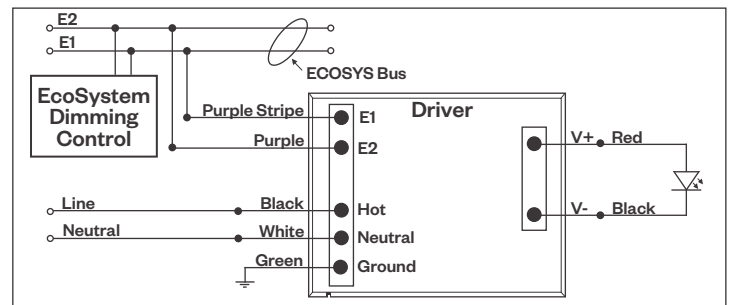
#### LUTRON LDE1 DIMMING

Integrates into Lutron EcoSystem building management

**Notes:**

- 120VAC or 277VAC\*
- Dims down to 1% light output
- EcoSystem Control
- Consult Dimming manufacturer for installation instructions - **DO NOT SHARE NEUTRALS!**

#### LDE1 (HILUME-H-ECO) EcoSystem Digital Control Wiring Diagram



**Compatible Dimmers\*:**

Lutron ECO System	Central System
Pow Pak Dimming Modules	Lutron EcoSystem compatible controls
Energj Savr Node	
Grafik Eye QS/Homeworks	
QS Control Unit	
Quantum Hub	
Homeworks QS/My Room	

**Notes:**

\* Driver is 277VAC dimmable with appropriate dimmer (*by others*). All provided wiring diagrams show 120VAC wiring colors and method. Please refer to 277VAC dimmer installation instructions for 277VAC wiring diagrams.

† The absence of a dimmer from the lists above does not imply incompatibility. Please consult factory for compatibility inquiries.