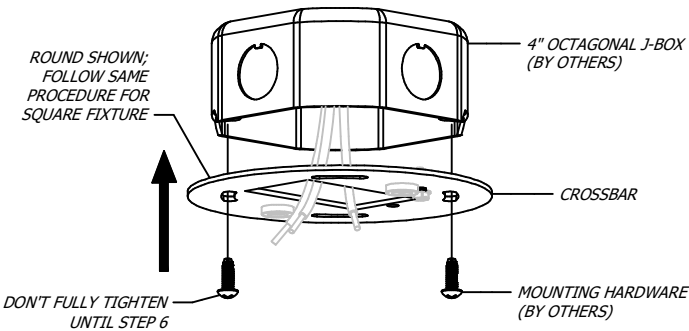


WARNING - RISK OF FIRE AND ELECTRICAL SHOCK. FIXTURE MUST BE INSTALLED BY A QUALIFIED ELECTRICIAN ONLY. FIXTURE IS INTENDED FOR INSTALLATION IN ACCORDANCE WITH THE NATIONAL ELECTRICAL CODE, LOCAL AND FEDERAL SPECIFICATIONS. DISCONNECT POWER AT ELECTRICAL PANEL BEFORE SERVICING.

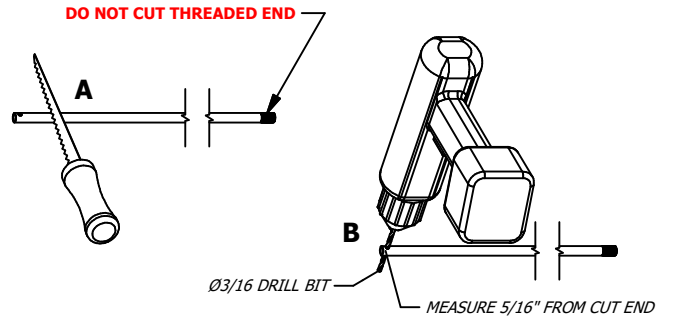
RETAIN THESE INSTRUCTIONS FOR MAINTENANCE REFERENCE.

1 MOUNT CROSSBAR



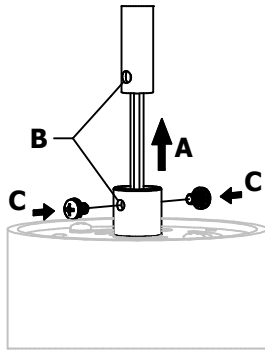
MOUNT KIT CROSSBAR TO J-BOX WITH HARDWARE (BY OTHERS)

2 CUT STEM TO LENGTH*



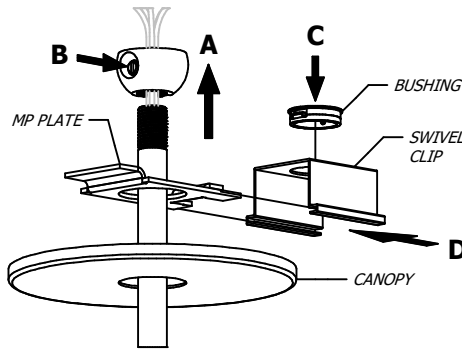
IF NECESSARY, CUT END WITH THRU HOLE TO DESIRED LENGTH, THEN DRILL A Ø3/16" THRU HOLE 5/16" FROM END

3 ATTACH FIXTURE TO STEM



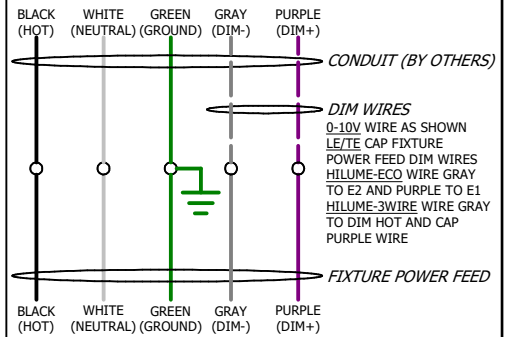
FEED FIXTURE HARNESS THROUGH STEM, ALIGN STEM HOLES TO (2x) HUB SCREWS, THEN TIGHTEN SCREWS

4 THREAD STEM INTO HALF BALL



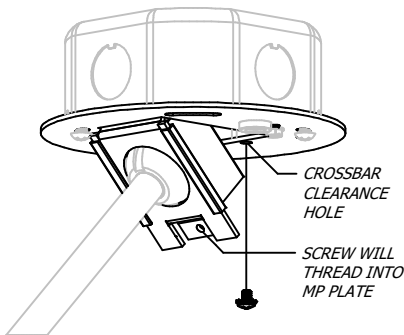
FEED HARNESS/STEM THROUGH CANOPY AND MP PLATE, THREAD STEM INTO HALF BALL, THEN TIGHTEN SCREW. INSERT BUSHING INTO SWIVEL CLIP THEN SLIDE ONTO MP PLATE.

5 WIRE



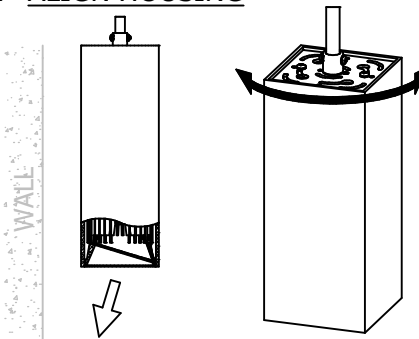
SUPPORT FIXTURE THROUGHOUT WIRING PROCESS. WIRE ACCORDING TO LOCAL AND NATIONAL CODE. CUT AND STRIP AS NEEDED, CAP UNUSED WIRES.

6 ATTACH MP PLATE



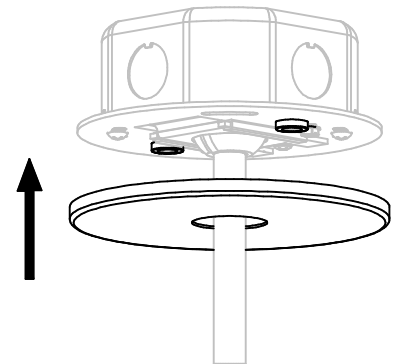
HINGE MP PLATE INSIDE CROSSBAR, SLIDE TO ALIGN HOLES, THEN FASTEN MP PLATE TO CROSSBAR WITH SCREW

7 ALIGN HOUSING*



IF FIXTURE HAS WALL WASH TRIM AND/OR SQUARE HOUSING, ALIGN HOUSING BY HOLDING STEM THEN ROTATING HOUSING

8 SECURE CANOPY



RAISE CANOPY TO MAGNETIC CROSSBAR