

Rook® 350

3.5" Round Pendants



Features

High style, yet also versatile. Spare and modern, yet warm and welcoming. This striking Rook 350 re-imagines the Hornet HP Downlight line in a popular new pendant form. It's a fabulous solution for open ceilings, with the same aperture and drivers as Hornet HP Downlights—and yet its own distinctive style shines through. Rook 350 Pendant. Simply stunning.

Product Overview

- Type: Round Pendant
- Wattage: 11, 16, 18 (RD version) or 14, 21 (RLD/RLW version)
- Color Temp: 2200K, 2700K, 3000K, 3500K, 4000K, CRISP
- CRI: 83 typ. (2700K, 3000K, 3500K, 4000K)
90+ typ. (2200K, 2700K, 3000K, 3500K, 4000K)
CrispWhite & Class A LED available
- Dimming: TRIAC & ELV (120V/277V) - 5% Dim
Lutron LDE1 Hi-lume® 1% Soft-On/Fade-to-Black, 120V/277V
0-10V (120V/277V) - 1% Dim



Pendant



Pendant w/Remote Driver

PROJECT:

TYPE:



Surface Mount



Conduit Surface Mount

Performance Chart

Watts	Delivered Lumens	LPW	CBCP	Color Temp
Rook 350 RD				
11	808	73.5	7,643	3000K-83
16	1,177	73.6	11,132	3000K-83
18	1,323	65.5	12,508	3000K-83
Rook 350 RLD				
14	1,368	97.7	3,688	3000K-83
21	2,042	97.2	5,504	3000K-83
Rook 350 RLW				
14	1,324	94.6	-	3000K-83
21	1,976	94	-	3000K-83

*Data is based on 3000K-83 IES files available on website
See pages 6-8 for data on other beam spreads*

Electrical Data

Rook 350 RD						
	11W		16W		18W	
	System Watts	Amps	System Watts	Amps	System Watts	Amps
120V	11	0.09	16	0.13	18	0.15
277V	11	0.04	16	0.06	18	0.06

Rook 350 RLD/RLW				
	14W		21W	
	System Watts	Amps	System Watts	Amps
120V	14	0.12	21	0.18
277V	14	0.05	21	0.08

Electronic constant current LED driver



Rook® 350

3.5" Round Pendants



PROJECT:

TYPE:

Ordering Information



- | | | | | | | | | | | | | | | | | | | | | | | | | | | | | | | | | | | | | | | | | | | | |
|---|-----------------------------------|---------------------------------------|-----------|-----------|-----------|-----------|-----------------------|--|---|----------------|-----------------|-----------------------|--------------------------------|-------------------------------|--------------------------------|--------------------------------|--------------------------------|------------------------|-----------------------------------|-----------------------------|--|-----------------------------------|--|------------------------------------|--|---------------|----------------|--|----------------------|------------------------|---------------------------------------|----------------------|------------------------|--------------------------|----------------------|------------------------|--|----------------------|------------------------|--|--|------------------------|--|
| <p>1 <u>Model</u>
 RK350RD
 RK350RD-REMOTE (Remote Driver)
 RK350RLD (Lensed)
 RK350RLD-REMOTE (Lensed, Remote Driver)
 RK350RLW (Lensed Wall Wash)
 RK350RLW-REMOTE (Lensed Wall Wash, Remote Driver)</p> <p>2 <u>Wattage</u>
 <table border="0"> <tr> <td>RK350RD</td> <td>RK350RLD/RLW</td> </tr> <tr> <td>11</td> <td>14</td> </tr> <tr> <td>16</td> <td>21</td> </tr> <tr> <td>18^o</td> <td></td> </tr> </table> ^o Not available for use with CrispWhite color temp</p> <p>3 <u>Housing Finish</u>
 MW - matte white
 MB - matte black
 SLV - matte silver</p> <p>4 <u>Mounting</u> (matches housing finish)
 <u>Canopy/Cord</u>
 CC4 - canopy/cord, 4' nominal OAL, 120V-277V
 CC8 - canopy/cord, 8' nominal OAL, 120V-277V
 CC12 - canopy/cord, 12' nominal OAL, 120V-277V
 CDCC4 - conduit canopy/cord, 4' nominal OAL, 120V-277V
 CDCC8 - conduit canopy/cord, 8' nominal OAL, 120V-277V
 CDCC12 - conduit canopy/cord, 12' nominal OAL, 120V-277V
 <u>Stem</u>
 RS4 - rigid stem, 4' nominal OAL, 120V-277V
 RS8 - rigid stem, 8' nominal OAL, 120V-277V
 SS4^R - swivel stem, 4' nominal OAL, 120V-277V
 SS8^R - swivel stem, 8' nominal OAL, 120V-277V
 CDRS4 - conduit rigid stem, 4' nominal OAL, 120V-277V
 CDRS8 - conduit rigid stem, 8' nominal OAL, 120V-277V
 <u>Surface</u>
 SM^R - surface mount, 120V-277V
 CDSM^R - conduit surface mount, 120V-277V
 <u>Track/Cord</u> (for use with LE/TE driver only)
 TC8-TN1^R - straight cord 8', Global GES 1cir/H-style, 120V
 TC8-TEK^R - straight cord 8', Global TEK 2cir/2neut, 120V
 TC8-TN3^R - straight cord 8', Global XTS 3cir, 120V
 TC8-TN2^R - straight cord 8', Global HTEK 2cir/2neut, 277V
 TC8-CT^R - straight cord 8', J-style, 120V
 TC8-LOL^R - straight cord 8', L-style 1cir, 120V
 ^R Not available for use with remote driver
 Consult factory for conduit mounting pricing
 Cord and Stem mounts are field cuttable
 For custom lengths, consult factory</p> | RK350RD | RK350RLD/RLW | 11 | 14 | 16 | 21 | 18^o | | <p>5 <u>Voltage</u>
 120*
 277*
 120-277
 * For use with track/cord mounting options</p> <p>6 <u>Trim Finish</u>
 MW - matte white
 MB - matte black
 SLV - matte silver</p> <p>7 <u>Beam Spreads</u> (not applicable on RK350RLW)
 <table border="0"> <tr> <td>RK350RD</td> <td>RK350RLD</td> </tr> <tr> <td>SP - spot, 15°</td> <td>30SOL - 30° solite lens</td> </tr> <tr> <td>NF - narrow flood, 20°</td> <td>50SOL - 50° solite lens</td> </tr> <tr> <td>MFL - medium flood, 24°</td> <td>65SOL - 65° solite lens</td> </tr> <tr> <td>FL - flood, 28°</td> <td>75SAT - 75° satin ice lens</td> </tr> <tr> <td>WF - wide flood, 45°</td> <td></td> </tr> <tr> <td>VWF - very wide flood, 60°</td> <td></td> </tr> <tr> <td>LS - linear spread, 60°x10°</td> <td></td> </tr> </table></p> <p>8 <u>Color Temp</u>
 <table border="0"> <tr> <td>83 CRI</td> <td>90+ CRI</td> <td></td> </tr> <tr> <td>27 - 2700K-83</td> <td>229 - 2200K-90+</td> <td>CRISP⁺ - CrispWhite</td> </tr> <tr> <td>30 - 3000K-83</td> <td>279 - 2700K-90+</td> <td>3CLA - 3K Class A</td> </tr> <tr> <td>35 - 3500K-83</td> <td>309 - 3000K-90+</td> <td></td> </tr> <tr> <td>40 - 4000K-83</td> <td>359 - 3500K-90+</td> <td></td> </tr> <tr> <td></td> <td>409 - 4000K-90+</td> <td></td> </tr> </table> ⁺ Not available for 18W (RD model)</p> <p>9 <u>Driver</u>
 LE/TE - TRIAC/ELV dimming, 5% dim
 0-10V - 0-10V dimming; 1% dim
 HILUME-H-ECO - Lutron LDE1 Hi-lume® 1% Soft-On/Fade-to-Black</p> | RK350RD | RK350RLD | SP - spot, 15° | 30SOL - 30° solite lens | NF - narrow flood, 20° | 50SOL - 50° solite lens | MFL - medium flood, 24° | 65SOL - 65° solite lens | FL - flood, 28° | 75SAT - 75° satin ice lens | WF - wide flood, 45° | | VWF - very wide flood, 60° | | LS - linear spread, 60°x10° | | 83 CRI | 90+ CRI | | 27 - 2700K-83 | 229 - 2200K-90+ | CRISP⁺ - CrispWhite | 30 - 3000K-83 | 279 - 2700K-90+ | 3CLA - 3K Class A | 35 - 3500K-83 | 309 - 3000K-90+ | | 40 - 4000K-83 | 359 - 3500K-90+ | | | 409 - 4000K-90+ | |
| RK350RD | RK350RLD/RLW | | | | | | | | | | | | | | | | | | | | | | | | | | | | | | | | | | | | | | | | | | |
| 11 | 14 | | | | | | | | | | | | | | | | | | | | | | | | | | | | | | | | | | | | | | | | | | |
| 16 | 21 | | | | | | | | | | | | | | | | | | | | | | | | | | | | | | | | | | | | | | | | | | |
| 18^o | | | | | | | | | | | | | | | | | | | | | | | | | | | | | | | | | | | | | | | | | | | |
| RK350RD | RK350RLD | | | | | | | | | | | | | | | | | | | | | | | | | | | | | | | | | | | | | | | | | | |
| SP - spot, 15° | 30SOL - 30° solite lens | | | | | | | | | | | | | | | | | | | | | | | | | | | | | | | | | | | | | | | | | | |
| NF - narrow flood, 20° | 50SOL - 50° solite lens | | | | | | | | | | | | | | | | | | | | | | | | | | | | | | | | | | | | | | | | | | |
| MFL - medium flood, 24° | 65SOL - 65° solite lens | | | | | | | | | | | | | | | | | | | | | | | | | | | | | | | | | | | | | | | | | | |
| FL - flood, 28° | 75SAT - 75° satin ice lens | | | | | | | | | | | | | | | | | | | | | | | | | | | | | | | | | | | | | | | | | | |
| WF - wide flood, 45° | | | | | | | | | | | | | | | | | | | | | | | | | | | | | | | | | | | | | | | | | | | |
| VWF - very wide flood, 60° | | | | | | | | | | | | | | | | | | | | | | | | | | | | | | | | | | | | | | | | | | | |
| LS - linear spread, 60°x10° | | | | | | | | | | | | | | | | | | | | | | | | | | | | | | | | | | | | | | | | | | | |
| 83 CRI | 90+ CRI | | | | | | | | | | | | | | | | | | | | | | | | | | | | | | | | | | | | | | | | | | |
| 27 - 2700K-83 | 229 - 2200K-90+ | CRISP⁺ - CrispWhite | | | | | | | | | | | | | | | | | | | | | | | | | | | | | | | | | | | | | | | | | |
| 30 - 3000K-83 | 279 - 2700K-90+ | 3CLA - 3K Class A | | | | | | | | | | | | | | | | | | | | | | | | | | | | | | | | | | | | | | | | | |
| 35 - 3500K-83 | 309 - 3000K-90+ | | | | | | | | | | | | | | | | | | | | | | | | | | | | | | | | | | | | | | | | | | |
| 40 - 4000K-83 | 359 - 3500K-90+ | | | | | | | | | | | | | | | | | | | | | | | | | | | | | | | | | | | | | | | | | | |
| | 409 - 4000K-90+ | | | | | | | | | | | | | | | | | | | | | | | | | | | | | | | | | | | | | | | | | | |

Rook® 350

3.5" Round Pendants



PROJECT:

TYPE:

Specifications

Application

Retail and commercial ambient/task lighting

Construction

Extruded aluminum pendant housing
Die-cast trim
Extruded aluminum heat sink

Optical

RK350RD Beam Spreads:

Spot, 15°; Narrow Flood, 22°; Medium Flood, 25°; Flood, 28°;
Wide Flood, 45°; Very Wide Flood, 60°;
Linear Spread, 60° x 10°

RK350RLD Beam Spreads:

Satin Ice Lens for maximum source concealment and wide distribution with a visually "hotter" aperture. 75° beam spread.
Solite Lens for maximum efficacy and a visually quieter aperture. 30°, 50° & 65° beam spread options. Visually best with SLV reflector finish.

RK350RLW: Engineered nano technology lens provides high transmission while concealing LED image.

LED

Color Temp Options:

2200K, 2700K, 3000K, 3500K, 4000K
CRI: 83 typ. (2700K, 3000K, 3500K, 4000K)
90+ typ. (2200K, 2700K, 3000K, 3500K, 4000K)
CrispWhite* LED available (16W max RD version)
Class A** 3000K LED available

R9 Values: 11 (83 CRI), 55 (92 CRI)

Binning: 3 MacAdam (SDCM)

Life: 50,000+ hrs, > 70% of initial lumens at 50,000 hrs

**CrispWhite: CrispWhite Technology delivers the warmth of colors expected from a high 90 CRI solution but also creates the natural crisp white color that is pleasing to the eye. It creates the most impactful lighting ever available, by revealing the richest whites and vibrant colors that pop.*

***Class A LED: Class A LED's have a CRI > 80 and a GAI > 80. CRI defines color "Naturalness" and GAI defines color "Saturation." Both being high delivers rich colors and pure whites.*

Electrical

Wattage: 11, 16, 18 (RD version) or 14, 21 (RLD/RLW version)
Electronic constant current LED driver, 120V-277V input

This product complies with IEEE C62.41 for surge endurance up to 2.5KV. Amerlux® recommends using additional surge protection with this unit (supplied by others), surge and over voltage damage is not covered under warranty.

Drivers

LE/TE - Leading Edge, TRIAC, forward phase/Trailing Edge,
ELV, reverse phase

0-10V and Lutron also available

See pages 9-10 for more dimming information

Finish

Powder coat paint

Consult factory for custom finishes

Mounting

Canopy/cord, rigid stem, swivel stem (not available for use with remote driver) or surface mounting (not available for use with remote driver)

Conduit mounting also available (see pg4 for details).

Overall length (OAL) is field adjustable and factory set at ± 2" of nominal value.

Straight cord track mounting also available.

Certifications

CSA tested to UL standards

Indoor use only

Damp location

Warranty

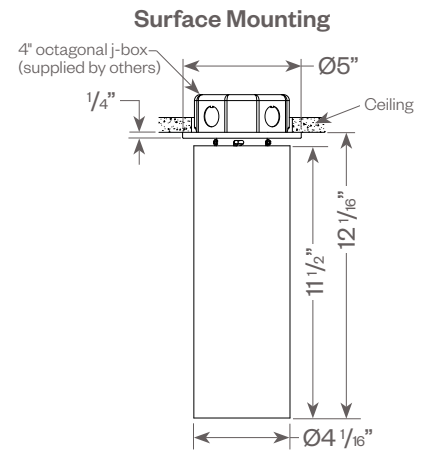
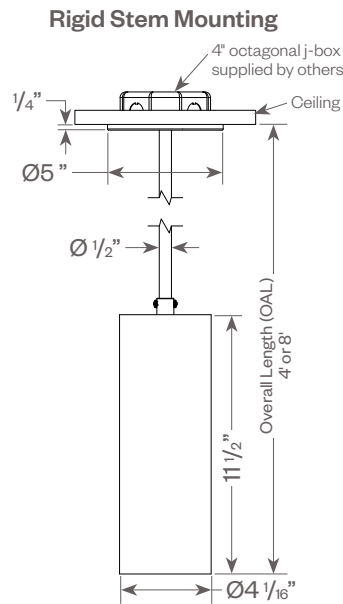
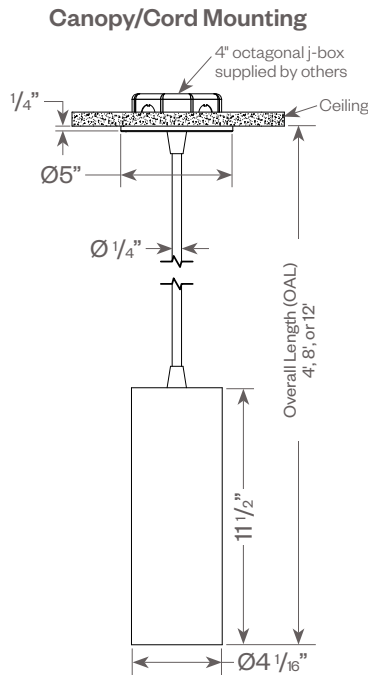
5 year limited warranty

Rook® 350

3.5" Round Pendants

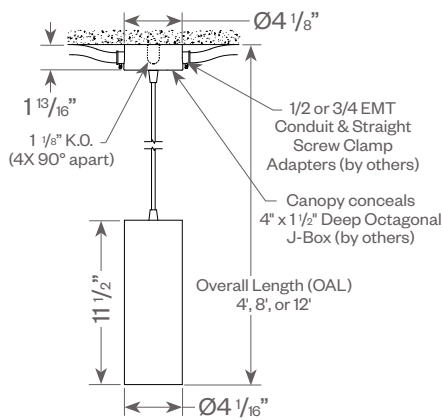
PROJECT:

TYPE:

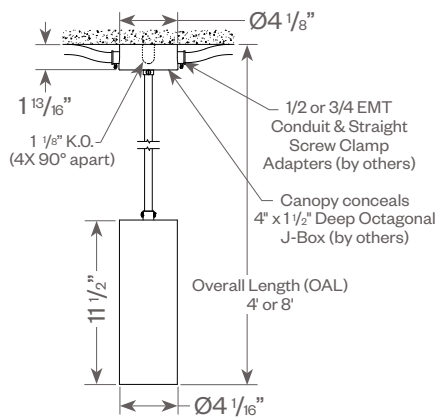


Ceiling Cut Out: Ø4 1/4"

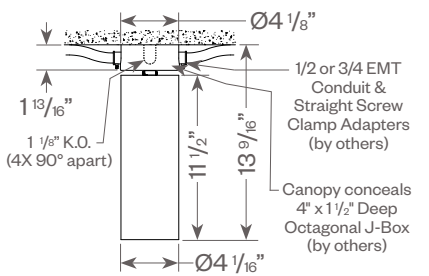
Conduit Canopy/Cord Mounting



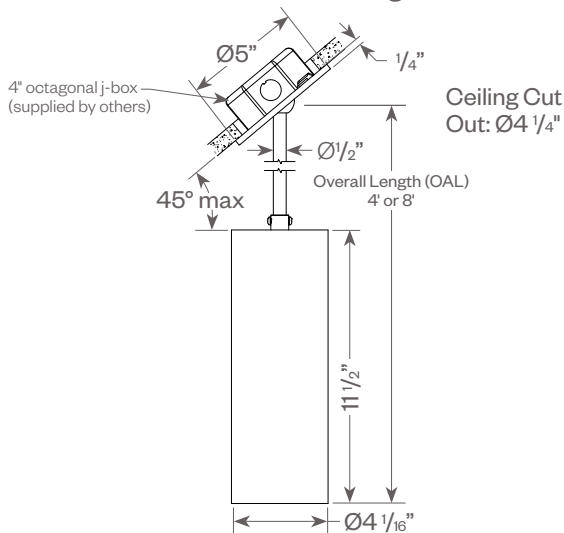
Conduit Rigid Stem Mounting



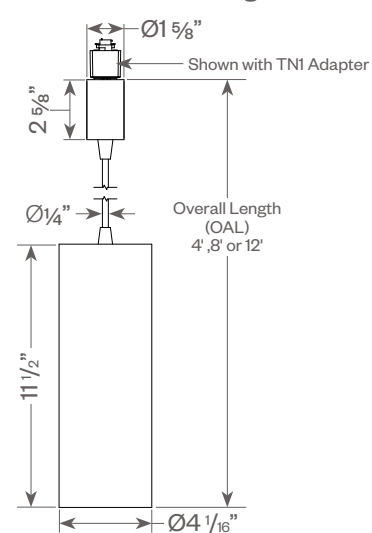
Conduit Surface Mounting



Swivel Stem Mounting



Straight Cord Track Mounting



Rook® 350

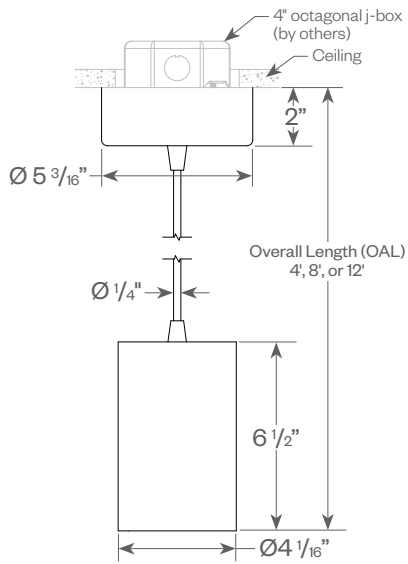
3.5" Round Pendants



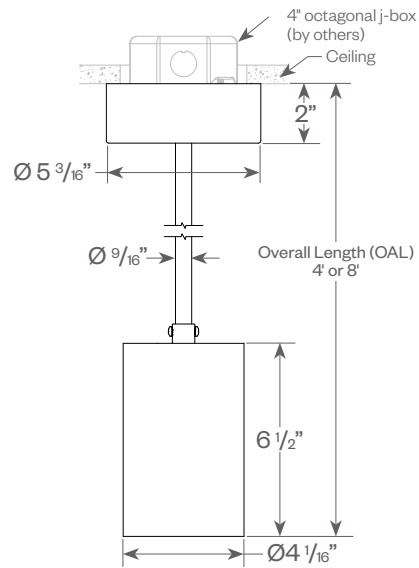
PROJECT:

TYPE:

Remote Driver Canopy/Cord Mounting

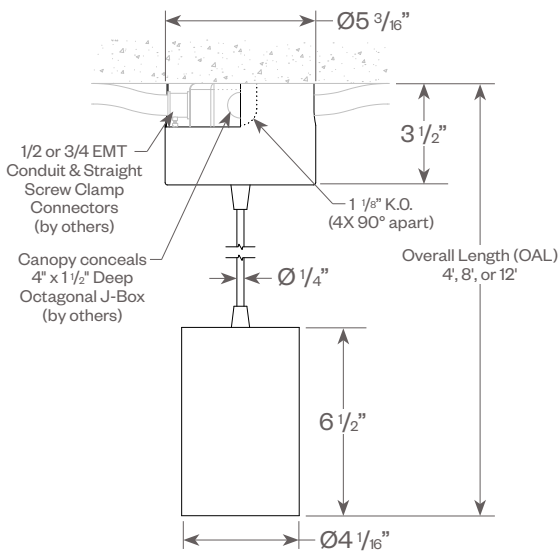


Remote Driver Rigid Stem Mounting

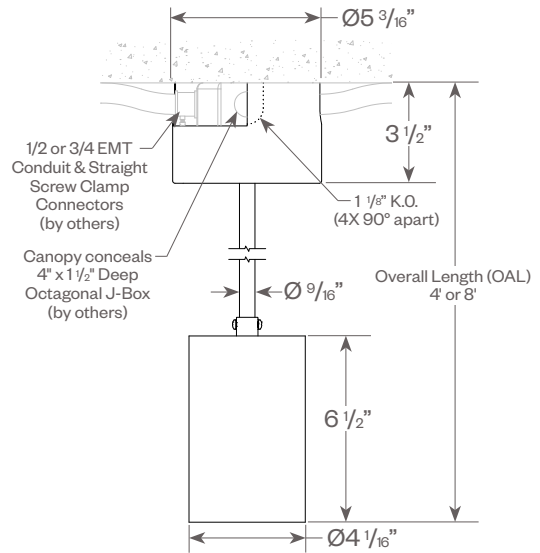


Ceiling Cut Out: $\text{Ø}4 \frac{1}{4}$ "

Remote Driver Conduit Canopy/Cord Mounting



Remote Driver Conduit Rigid Stem Mounting



Rook® 350

3.5" Round Pendants



PROJECT:

TYPE:

RK350RD/RK350RD-REMOTE

FIXTURE DATA: (Complete photometric data (.ies format) available upon request)

MULTIPLYING FACTORS: (Multiplying Factor is based on 3000K-83 120V IES file on website)

Wattage:	11W	16W	18W
Factor:	0.61	0.89	1.0

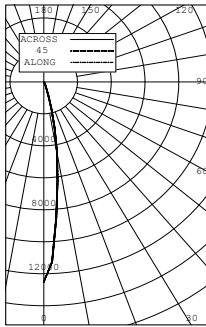
CCT:	2700K-83	3000K-83	3500K-83	4000K-83
Factor:	0.96	1.0	1.02	1.04

CCT:	2200K-90+	2700K-90+	3000K-90+	3500K-90+	4000K-90+	CRISP*	3CLA
Factor:	0.71	0.80	0.83	0.87	0.90	0.65	0.75

* Not available for use with 18W

18W LED, 3000K-83

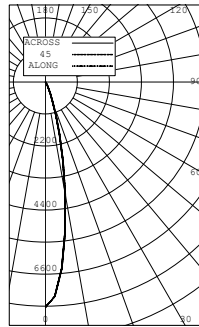
Spot (SP) Distribution, 15°
LTL #818231
Lumens: 1,323



Candelas at Nadir

Deg	Candela
0	12508
5	8495
15	1754
25	190
35	32
45	3

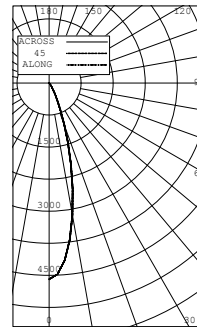
Narrow Flood (NF) Distribution, 22°
LTL #818232
Lumens: 1,236



Candelas at Nadir

Deg	Candela
0	7734
5	6428
15	1866
25	277
35	45
45	4

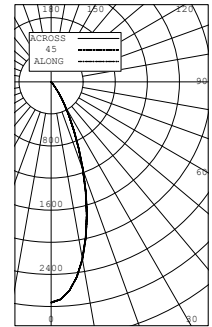
Flood (FL) Distribution, 28°
LTL # 818234
Lumens: 1,185



Candelas at Nadir

Deg	Candela
0	4591
5	4168
15	1966
25	470
35	72
45	4

Wide Flood (WF) Distribution, 45°
LTL # 818235
Lumens: 1,123

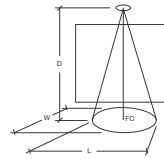


Candelas at Nadir

Deg	Candela
0	2751
5	2614
15	1719
25	676
35	141
45	7

Application Data:

	0° Aiming Angle Horizontal Footcandles			
	D	FC	L	W
Spot	5.0'	292	1.9	1.9
	7.5'	163	2.6	2.6
	10.0'	102	3.2	3.2
	12.5'	69	3.7	3.7
Narrow Flood	5.0'	231	2.1	2.1
	7.5'	120	2.9	2.9
	10.0'	71	3.7	3.7
	12.5'	47	4.6	4.6
Flood	5.0'	150	2.7	2.7
	7.5'	74	3.6	3.6
	10.0'	43	4.8	4.8
	12.5'	28	5.8	5.8
Wide Flood	5.0'	97	3.2	3.2
	7.5'	46	4.6	4.6
	10.0'	27	6.1	6.1
	12.5'	17	7.5	7.5



Notes and Definitions:

- Beam spread is to 50% center beam candlepower (CBCP).
- D=Distance to floor or wall.
- FC=Footcandles on floor or wall at center beam aiming location.
- L=Effective Visual Beam length in feet (50% of maximum footcandle level).
- W=Effective Visual Beam width in feet (50% of maximum footcandle level).
- CB=Distance across or down to center beam location.

Rook® 350

3.5" Round Pendants



PROJECT:

TYPE:

RK350RLD/RK350RLD-REMOTE

FIXTURE DATA: (Complete photometric data (.ies format) available upon request)

MULTIPLYING FACTORS: (Multiplying Factor is based on 3000K-83 120V IES file on website)

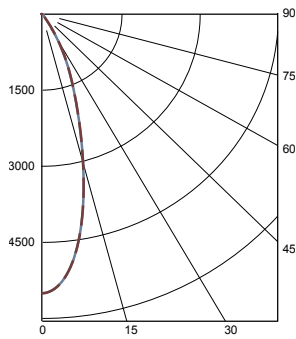
Wattage:	14W	21W
Factor:	0.67	1.0

CCT:	2700K-83	3000K-83	3500K-83	4000K-83
Factor:	0.96	1.0	1.02	1.04

CCT:	2200K-90+	2700K-90+	3000K-90+	3500K-90+	4000K-90+	CRISP	3CLA
Factor:	0.66	0.83	0.86	0.90	0.93	0.65	0.70

21W LED, 3000K

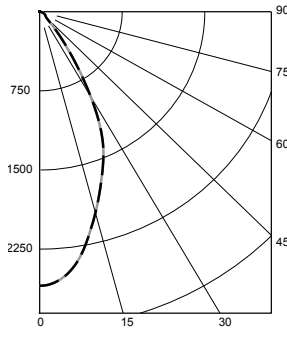
30° Solite Lens
LTL # 13408034.01
Lumens: 2042 lm; 90.5 lm/W



Candelas at Nadir

Deg	Candela
0	5504
5	5162
15	2877
25	1113
35	210
45	59

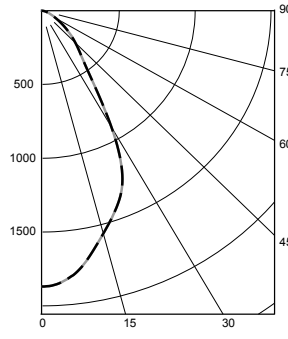
50° Solite Lens
LTL # 13408034.02
Lumens: 1923 lm; 85.2 lm/W



Candelas at Nadir

Deg	Candela
0	2597
5	2523
15	1960
25	1347
35	493
45	101

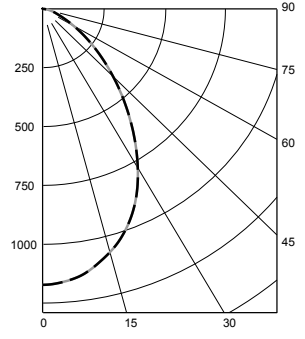
65° Solite Lens
LTL # 13408034.03
Lumens: 2027 lm; 89.9 lm/W



Candelas at Nadir

Deg	Candela
0	1869
5	1829
15	1554
25	1228
35	551
45	307

75° Satin Ice Lens
LTL # 13408034.04
Lumens: 1905 lm; 84.8 lm/W



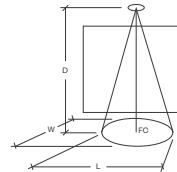
Candelas at Nadir

Deg	Candela
0	1173
5	1160
15	1069
25	900
35	650
45	410

Application Data:

Notes and Definitions:

- Beam spread is to 50% center beam candlepower (CBCP).
- D=Distance to floor or wall.
- FC=Footcandles on floor or wall at center beam aiming location.
- L=Effective Visual Beam length in feet (50% of maximum footcandle level).
- W=Effective Visual Beam width in feet (50% of maximum footcandle level).
- CB=Distance across or down to center beam location.



30° Solite Lens
0° Aiming Angle
Horizontal Footcandles

D	FC	L	W
5.0'	221	2.7	2.7
7.5'	98	3.9	3.9
10.0'	55	5.2	5.2
12.5'	36	6.5	6.5

50° Solite Lens
0° Aiming Angle
Horizontal Footcandles

D	FC	L	W
5.0'	104	3.8	3.8
7.5'	47	5.8	5.8
10.0'	26	7.8	7.8
12.5'	17	9.7	9.7

65° Solite Lens
0° Aiming Angle
Horizontal Footcandles

D	FC	L	W
5.0'	75	4.5	4.4
7.5'	34	6.8	6.8
10.0'	19	9.3	9.3
12.5'	13	11.8	11.8

75° Satin Ice Lens
0° Aiming Angle
Horizontal Footcandles

D	FC	L	W
5.0'	47	5.2	5.2
7.5'	21	7.9	7.9
10.0'	12	10.7	10.7
12.5'	8	14.0	14.0

Rook® 350

3.5" Round Pendants



PROJECT:

TYPE:

RK350RLW/RK350RLW-REMOTE

FIXTURE DATA: (Complete photometric data (.ies format) available upon request)

MULTIPLYING FACTORS: (Multiplying Factor is based on 3000K-83 120V IES file on website)

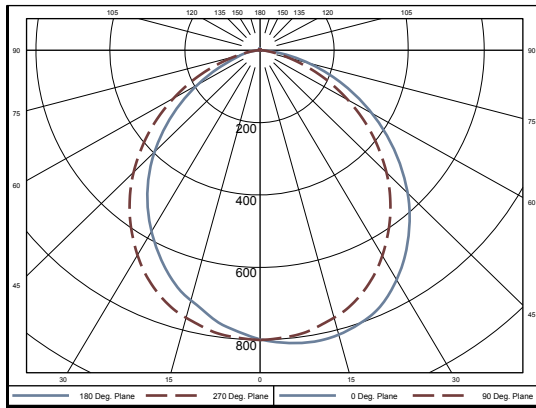
Wattage:	14W	21W
Factor:	0.67	1.0

CCT:	2700K-83	3000K-83	3500K-83	4000K-83
Factor:	0.96	1.0	1.02	1.04

CCT:	2200K-90+	2700K-90+	3000K-90+	3500K-90+	4000K-90+	CRISP	3CLA
Factor:	0.66	0.83	0.86	0.90	0.93	0.65	0.70

21W 3000K-83

Wall Wash
LTL # 13408034.05
Lumens: 1976 lm



ZONAL LUMEN SUMMARY

Zone	Lumens	%Fixt
0-40	992	50.2
0-60	1665	84.3
0-90	1976	100.0
90-180	0	0.0

Luminaire Efficacy: 87.9 Lm/W

Application Data:

Footcandles on Wall

Footcandles are average and rounded off.
Data for multiple units are based on a minimum of five units.

1.5 Feet from Wall

		← 1.5' → ← 1.5' →				
Distance from ceiling	0.5'	91	95	96	95	91
	1.5'	146	155	159	156	147
	2.5'	104	113	115	113	104
	3.5'	63	70	72	70	64
	4.5'	40	43	45	44	40
	5.5'	27	29	30	30	27
	6.5'	20	21	22	21	20
	7.5'	16	16	17	17	16

1.5 Feet from Wall

		← 2' → ← 2' →						
Distance from ceiling	0.5'	37	40	37	40	37	40	36
	1.5'	72	77	75	78	74	77	72
	2.5'	69	73	74	75	74	73	69
	3.5'	48	52	54	54	54	52	49
	4.5'	33	36	37	38	37	36	33
	5.5'	23	26	27	27	27	26	24
	6.5'	17	19	20	20	20	19	18
	7.5'	14	15	16	16	16	15	14

2 Feet from Wall

		← 2' → ← 2' →						
Distance from ceiling	0.5'	39	44	42	44	43	44	41
	1.5'	83	90	90	92	90	90	83
	2.5'	77	83	85	87	86	84	77
	3.5'	55	59	62	63	62	60	55
	4.5'	38	41	43	44	43	42	38
	5.5'	27	30	31	31	31	30	28
	6.5'	21	22	23	23	23	22	21
	7.5'	16	17	18	18	18	17	16

Rook® 350

3.5" Round Pendants



PROJECT:

TYPE:

DIMMING COMPATIBILITY:

Amerlux® Rook fixtures are compatible with all major dimming protocols prevalent in the United States. Please see below for general compatibilities and wiring diagrams. Amerlux recommends testing your unique dimming configuration as the exact full configuration (Dimmer, Fixture Quantity, Voltage, etc) may affect dimming performance.

--- NOTE: INFORMATION BELOW IS FOR WIRED DIMMERS ONLY. FOR WIRELESS DIMMERS, CONSULT FACTORY ---

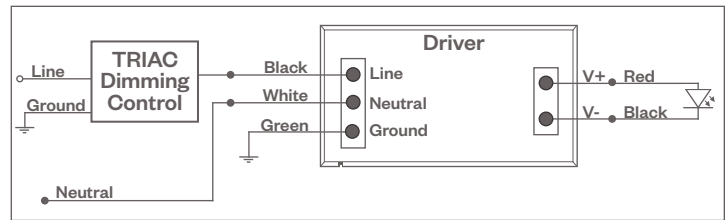
TRIAC (Forward Phase) DIMMING (Standard)

Utilizes standard TRIAC dimmers that are in wide use in installations across the US. Best for retrofit applications where TRIAC dimmers are installed.

Notes:

- 120VAC or 277VAC*
- Dims down to 5% light output (most cases)
- Consult Dimming manufacturer for installation instructions - DO NOT SHARE NEUTRALS!
- Must meet dimmer Minimum Load Requirements per dimming manufacturer

TRIAC Wiring Diagram



Compatible Dimmers†:

Wall Box (TRIAC 120VAC)

Lutron "Diva"
Lutron "Nova-T"
Lutron "Maestro"
Lutron "Skylark"

Central System

Lutron "GP" Panel
Lutron Grafik Eye QS

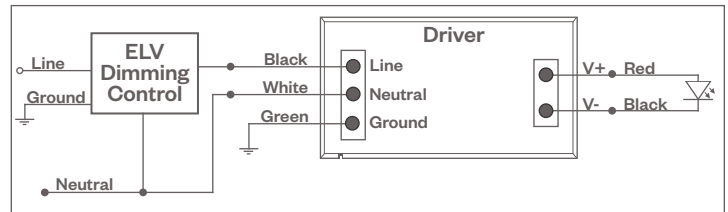
ELV - Electronic Low Voltage (Reverse Phase) DIMMING (Standard)

Utilizes specialized "ELV" dimmers.

Notes:

- 120VAC or 277VAC*
- Dims down to 5% light output (most cases)
- Consult Dimming manufacturer for installation instructions - DO NOT SHARE NEUTRALS!
- Must meet dimmer Minimum Load Requirements

ELV Wiring Diagram



Compatible Dimmers†:

Wall Box (ELV 120VAC)

Lutron "Diva"
Lutron "Nova-T"
Lutron "Maestro"
Lutron "Skylark"
Leviton "Surslide"
Leviton "Vizio"

Wall Box (ELV 277VAC)

Leviton Revoir II AWSMT-E

Central System

Lutron "GP" Panel with PHPM-PA 120/277VAC
Lutron Grafik Eye QS with PHPM-PA 120/277VAC

Notes:

* Driver is 277VAC dimmable with appropriate dimmer (by others). All provided wiring diagrams show 120VAC wiring colors and method. Please refer to 277VAC dimmer manufacturer installation instructions for 277VAC wiring diagrams.

† The absence of a dimmer from the lists above does not imply incompatibility. Please consult factory for compatibility inquiries.

Rook® 350

3.5" Round Pendants



PROJECT:

TYPE:

DIMMING COMPATIBILITY:

Amerlux® Rook fixtures are compatible with all major dimming protocols prevalent in the United States. Please see below for general compatibilities and wiring diagrams. Amerlux recommends testing your unique dimming configuration as the exact full configuration (Dimmer, Fixture Quantity, Voltage, etc) may affect dimming performance.

--- NOTE: INFORMATION BELOW IS FOR WIRED DIMMERS ONLY. FOR WIRELESS DIMMERS, CONSULT FACTORY ---

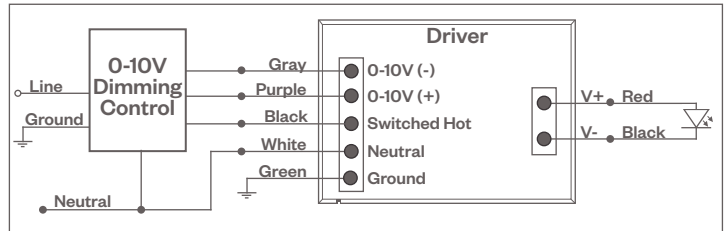
0-10V DIMMING

Integrates into a variety of building management and daylighting controls

Notes:

- 120VAC or 277VAC*
- Dims down to 1% light output
- Requires interface to turn off power to driver
- Consult Dimming manufacturer for installation instructions - DO NOT SHARE NEUTRALS!

0-10V Wiring Diagram



Compatible Dimmers†:

Wall Box

Lutron "Diva" - DVSTV | Leviton Renoir II 0-10V

Central System

Lutron Grafik Eye with GRX-TV1 Interface

LUTRON LDE1 DIMMING

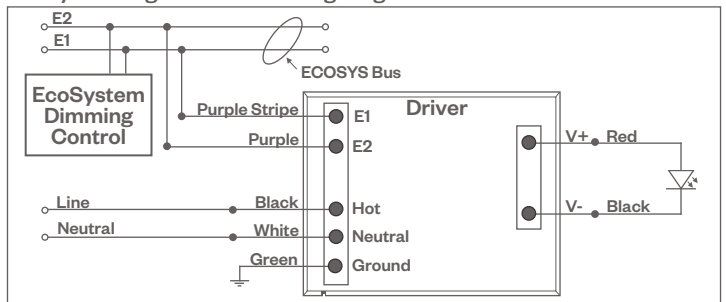
Integrates into Lutron EcoSystem building management

Notes:

- 120VAC or 277VAC*
- Dims down to 1% Soft-On/Fade-to-Black
- EcoSystem Control
- Consult Dimming manufacturer for installation instructions - DO NOT SHARE NEUTRALS!

Lutron LDE1 (HILUME-H-ECO)

EcoSystem Digital Control Wiring Diagram



Compatible Dimmers†:

Lutron ECO System

Pow Pak Dimming Modules
Energj Savr Node
Grafik Eye QS/Homeworks
QS Control Unit
Quantum Hub
Homeworks QS/My Room

Central System

Lutron EcoSystem compatible controls

Notes:

- * Driver is 277VAC dimmable with appropriate dimmer (by others). All provided wiring diagrams show 120VAC wiring colors and method. Please refer to 277VAC dimmer manufacturer installation instructions for 277VAC wiring diagrams.
- † The absence of a dimmer from the lists above does not imply incompatibility. Please consult factory for compatibility inquiries.