

INSTRUCTION SHEET



ROOK 350 ROUND/SQUARE CONDUIT RIGID STEM INSTALLATION

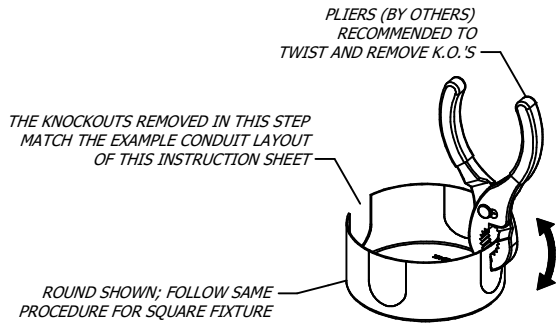
689-0725

PAGE 1 OF 1

WARNING - RISK OF FIRE AND ELECTRICAL SHOCK. FIXTURE MUST BE INSTALLED BY A QUALIFIED ELECTRICIAN ONLY. FIXTURE IS INTENDED FOR INSTALLATION IN ACCORDANCE WITH THE NATIONAL ELECTRICAL CODE, LOCAL AND FEDERAL SPECIFICATIONS. DISCONNECT POWER AT ELECTRICAL PANEL BEFORE SERVICING.

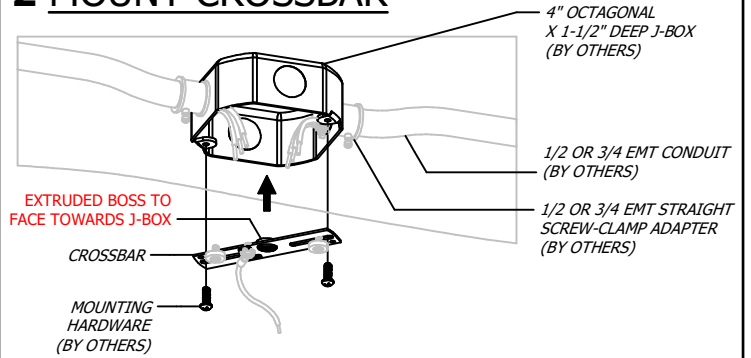
RETAIN THESE INSTRUCTIONS FOR MAINTENANCE REFERENCE.

1 REMOVE CANOPY K.O.'S



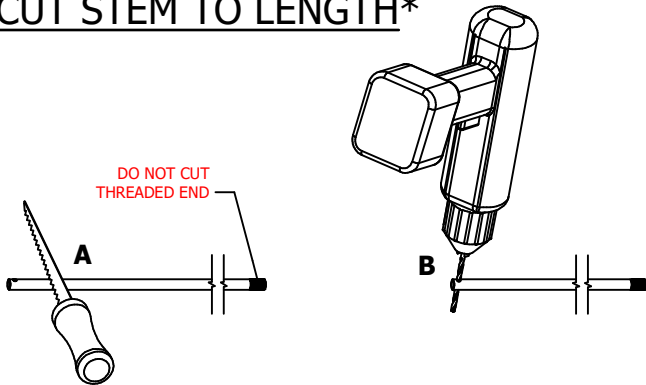
REMOVE CANOPY KNOCKOUTS TO MATCH CONDUIT LAYOUT

2 MOUNT CROSSBAR



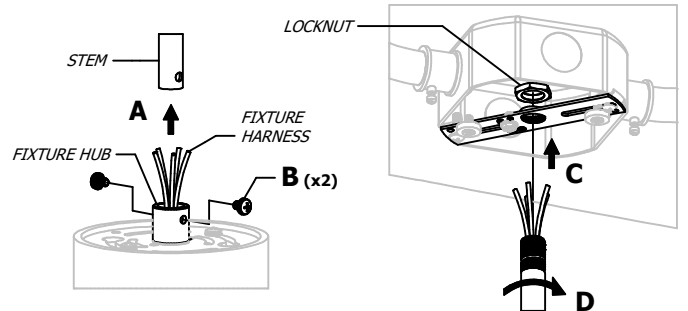
MOUNT KIT CROSSBAR TO J-BOX (BY OTHERS) WITH HARDWARE (BY OTHERS)

3 CUT STEM TO LENGTH*



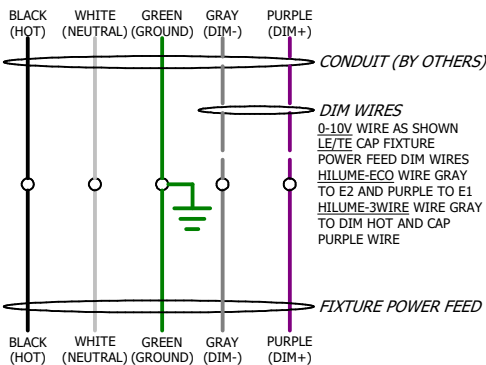
IF NECESSARY, **A** CUT HOLED END TO DESIRED LENGTH, THEN **B** DRILL A Ø3/16" THRU HOLE 5/16" FROM END

4 ATTACH STEM



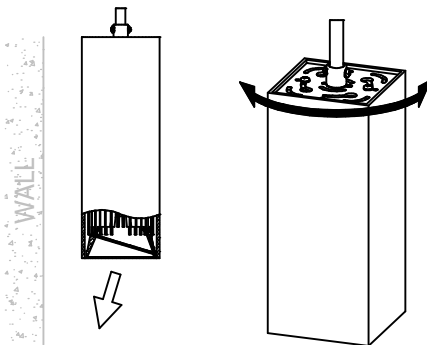
A FEED FIXTURE HARNESS THROUGH STEM, **B** ALIGN STEM AND FIXTURE HUB HOLES AND TIGHTEN SCREWS (x2), **C** FEED FIXTURE HARNESS THROUGH CROSSBAR & LOCKNUT, THEN **D** THREAD STEM INTO CROSSBAR AND SECURE WITH LOCKNUT

5 WIRE



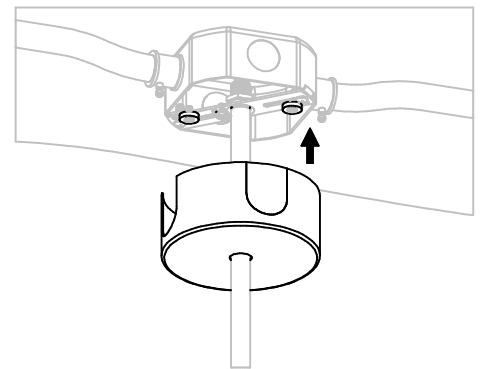
WIRE ACCORDING TO LOCAL AND NATIONAL CODE. CUT AND STRIP AS NEEDED. CAP UNUSED WIRES.

6 ALIGN HOUSING*



IF FIXTURE HAS WALL WASH TRIM AND/OR SQUARE HOUSING, ALIGN HOUSING BY HOLDING STEM THEN ROTATING FIXTURE

7 ATTACH CANOPY



RAISE CANOPY TO MAGNETIC CROSSBAR

Amerlux, 178 Bauer Drive, Oakland, N.J. 07436, T: 973-882-5010, F: 973-882-2604 www.amerlux.com