

Rook® 250 Mini

2.5" Mini Round Pendant, Direct Only



PROJECT:

TYPE:

Features

The Rook 250 Mini translates the award-winning comfort, control and performance of our downlight families into a beautiful, slender solution ideal for open-ceiling applications where downlight performance is required in a more strikingly decorative manner. Just under 4½ inches in height, this small and aesthetically clean round pendant maximizes a 2.5" aperture and several performance outputs and finishes to generate focused direct or direct/indirect lighting that stirs drama and grabs attention.



Product Overview

Type: Round Pendant, Direct, Remote Driver
 Wattage: 6W, 8W, 10W, 12W, 14W, 16W, 18W
 Color Temp: 2700K, 3000K, 3500K, 4000K
 CRI: 80+ typ. or 90+ typ.
 Dimming: TRIAC & ELV, 5% dim, 120V/277VAC
 0-10V, 1% dim, 120V/277VAC
 Lutron Hi-lume® EcoSystem Premier 0.1% dim with soft-on& fade-to-black, 120V/277VAC (*consult factory for availability*)
 DALI, 1% dim, 120V/277VAC
 Power over ethernet (PoE), consult factory

Certifications



Fixture Summary

Performance Data

Watts	Delivered Lumens	LPW	Color Temp	CRI	Watts	Delivered Lumens	LPW	Color Temp	CRI
6	643	107.2	3000K	80+	14	1395	99.6	3000K	80+
8	845	105.6	3000K	80+	16	1561	97.6	3000K	80+
10	1028	102.8	3000K	80+	18	1671	92.8	3000K	80+
12	1212	101	3000K	80+					

Data is based on 3000K-83 120V IES files available on website.

Electrical Data

Voltage	6W		8W		10W		12W	
	System Watts	Amps	System Watts	Amps	System Watts	Amps	System Watts	Amps
120V	6	0.05	8	0.07	10	0.08	12	0.1
277V	6	0.02	8	0.03	10	0.04	12	0.04
Voltage	14W		16W		18W			
	System Watts	Amps	System Watts	Amps	System Watts	Amps		
120V	14	0.12	16	0.13	18	0.15		
277V	14	0.05	16	0.06	18	0.07		

Electronic constant current LED driver

Rook® 250 Mini

2.5" Mini Round Pendant, Direct Only



PROJECT:

TYPE:

Ordering Information

RK250MRD

1

2

3

4

5

6

7

8

9

10

11

12

1 Model RK250MRD mini round direct, integral driver	2 Wattage (lumens delivered @ 83 CRI/30K/55° beam) 6 6W (643 lm) 8 8W (845 lm) 10 10W (1028 lm) 12 12W (1212 lm) 14 14W (1395 lm) 16 16W (1561 lm) 18 18W (1671 lm)	3 Housing Finish MW matte white MB matte black SLV matte silver _____ custom RAL finish											
4 Mounting <u>Driver in Canopy</u> PC power canopy PCDC power conduit canopy <u>Driver in Remote Box</u> C canopy CDC conduit canopy RC reduced canopy	5 Suspension <u>Cord</u> (nominal overall length, field adjustable) C4 cord, 4' C8 cord, 8' <u>Stem</u> (junction box mounting only, nominal overall length, stems can be field cuttable) RS4 rigid stem, 4' RS8 rigid stem, 8' SS4* swivel stem, 4' SS8* swivel stem, 8' *C or RC mounting only <u>Surface</u> (junction box mounting only) SM surface mount	6 Mounting/Suspension Finish MW matte white MB matte black SLV matte silver											
7 Voltage 120-277 120V-277V	8 Trim Finish MW matte white MB matte black SLV matte silver _____ custom RAL finish	9 Beam Spread 30 30° 35 35° 55 55°	10 Color Temp and CRI <table border="0"> <tr> <td>80+ CRI</td> <td>90+ CRI</td> </tr> <tr> <td>27 2700K, 80+</td> <td>279 2700K, 90+</td> </tr> <tr> <td>30 3000K, 80+</td> <td>309 3000K, 90+</td> </tr> <tr> <td>35 3500K, 80+</td> <td>359 3500K, 90+</td> </tr> <tr> <td>40 4000K, 80+</td> <td>409 4000K, 90+</td> </tr> </table>	80+ CRI	90+ CRI	27 2700K, 80+	279 2700K, 90+	30 3000K, 80+	309 3000K, 90+	35 3500K, 80+	359 3500K, 90+	40 4000K, 80+	409 4000K, 90+
80+ CRI	90+ CRI												
27 2700K, 80+	279 2700K, 90+												
30 3000K, 80+	309 3000K, 90+												
35 3500K, 80+	359 3500K, 90+												
40 4000K, 80+	409 4000K, 90+												
11 Driver LE/TE TRIAC/ELV dimming, 5% dim O-10V 0-10V dimming, 1% dim HILUME-P-ECO Lutron Hi-lume® EcoSystem Premier 0.1% dim with soft-on and fade-to-black, 120V/277VAC (consult factory for availability) DALI* DALI dimming, 1% dim POE PoE, consult factory * Only available in Remote Box Mounting options	12 Options/Accessories <u>Glare Control</u> (can only take one) SOL solite beam softening lens HEX hexcell louver <u>Decorative</u> GDC** 1/2" glow lens, direct, clear GDF** 1/2" glow lens, direct, frosted ** Consult factory for custom length and/or for availability.												

Rook® 250 Mini

2.5" Mini Round Pendant, Direct Only



PROJECT:	TYPE:
-----------------	--------------

Specifications

Application

Retail and commercial ambient/task lighting

Construction

- Extruded aluminum pendant housing
- Die-cast trim
- Laser cut aluminum heat sink

Optical

- Beam Spreads: 30°, 35°, 55°
- Optional Glow Lens - 1/2" acrylic glow lens (*clear or frosted*)

LED

- Color Temp: 2700K, 3000K, 3500K, 4000K
- CRI: 80+ typ. or 90+ typ.
- R9 Values: 11 (*83 CRI*), 55 (*92 CRI*)
- Binning: 3 MacAdam (*SDCM*)
- Life: 50,000+ hrs, > 70% of initial lumens at 50,000 hrs

Electrical

- Wattage: 6W, 8W, 10W, 12W, 14W, 16W, 18W
- Electronic constant current LED driver, 120V-277V input
- This product complies with IEEE C62.41 for surge endurance up to 2.5KV. Amerlux® recommends using additional surge protection with this unit (supplied by others), surge and over voltage damage is not covered under warranty.***

Drivers

- LE/TE - Leading Edge, TRIAC, forward phase/Trailing Edge, ELV, reverse phase; 5% dim
- 0-10V dimming, 1% dim
- Lutron Hi-lume EcoSystem Premier 0.1% dim with soft on & fade to black, 120/277VAC (*consult factory for availability*)
- DALI dimming, 1% dim (*must use remote driver box*)
- PoE, consult factory
- See pages 6-7 for more dimming information*

Finish

- Powder coat paint
- Consult factory for custom finishes*

Mounting

- Driver in Canopy: Power canopy or power conduit canopy
- Driver in Remote Box: Canopy, conduit canopy or reduced canopy

Suspension

- Cord: 4 ft or 8 ft nominal lengths, field adjustable, 22 AWG
- Stem: 4 ft or 8 ft nominal lengths, rigid or swivel, field cuttable
- Surface: Surface mount

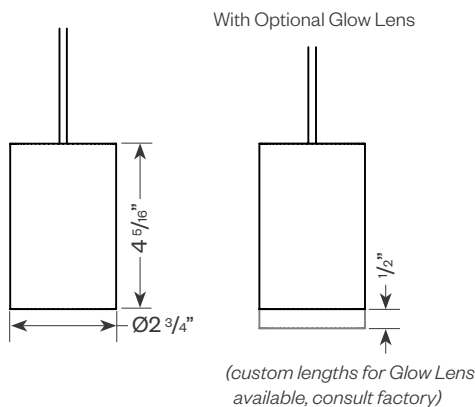
Certifications

- CSA tested to UL standards
- Indoor use only
- Damp location

Warranty

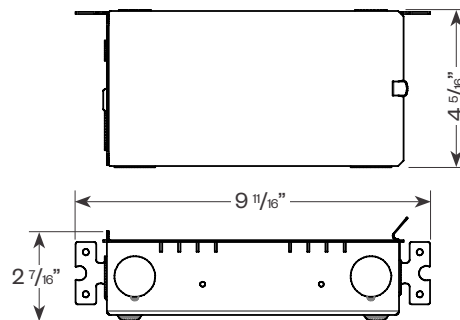
- 5 year limited warranty

Product Details



Remote Driver Box

Maximum recommended distance is 100' with 18 gauge cable (*by others*) from remote driver box to RK250 cylinder. Distance calculation must include suspension cable length.



Canopy (C), Conduit Canopy (CDC) & Reduced Canopy (RC)
Mounts Include Remote Driver Box

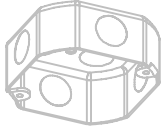
Rook® 250 Mini

2.5" Mini Round Pendant, Direct Only



PROJECT:	TYPE:
-----------------	--------------

Junction Box Mounting Requirements

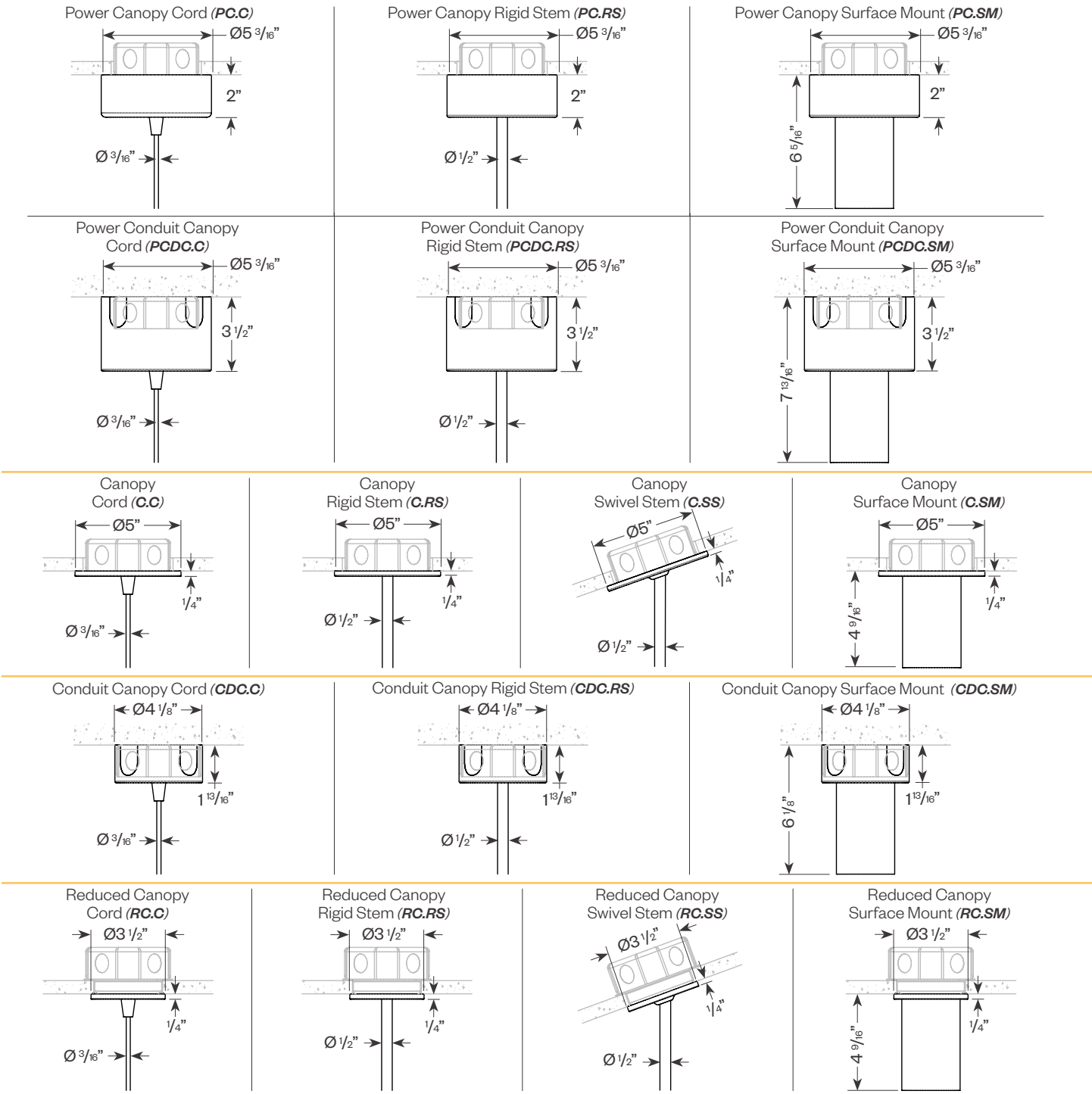


Canopy (C) & Conduit Canopy (CDC) Mounts Require 4" Octagonal Junction Box (by others)



Reduced Canopy (RC) Mounts also Require Raised Cover (by others) for 4" Octagonal Junction Box

Mounting Options



Rook® 250 Mini

2.5" Mini Round Pendant, Direct Only



PROJECT: _____ **TYPE:** _____

Performance Data

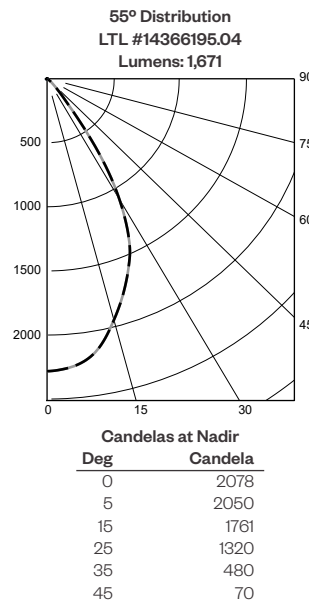
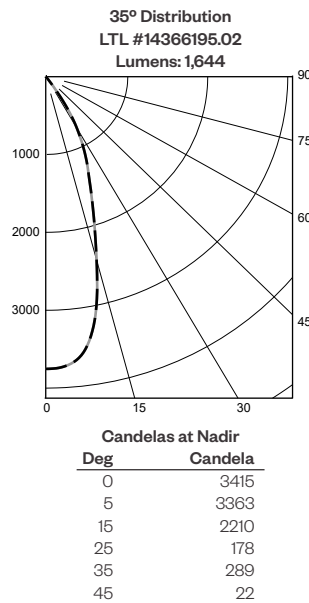
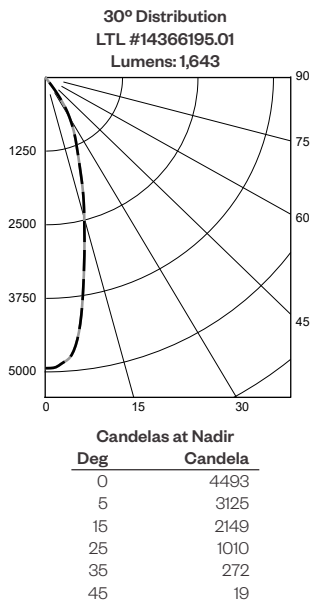
Multiplying Factors: (Multiplying Factor is based on 3000K, 80+ 120V IES file on website)

Wattage:	6W	8W	10W	12W	14W	16W	18W	20W*
Factor:	0.35	0.46	0.56	0.66	0.76	0.85	0.91	1.0

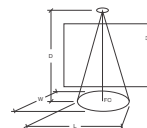
* Multiplying factors based on an IES 20W tested fixture. 20W is not available for this fixture type.

CCT:	2700K, 80+	3000K, 80+	3500K, 80+	4000K, 80+	2700K, 90+	3000K, 90+	3500K, 90+	4000K, 90+
Factor:	0.96	1.0	1.02	1.04	0.80	0.83	0.87	0.90

18W, 3000K, 80+



Application Data - RK350RD/RK350RD-REMOTE



Notes and Definitions:
 Beam spread is to 50% center beam candlepower (CBCP).
D=Distance to floor or wall.
FC=Footcandles on floor or wall at center beam aiming location.
L=Effective Visual Beam length in feet (50% of maximum footcandle level).
W=Effective Visual Beam width in feet (50% of maximum footcandle level).

0° Aiming Angle Horizontal Footcandles

30° Distribution

D	FC	L	W
5.0'	154	2.9	2.9
7.5'	76	3.8	3.8
10.0'	44	5.0	5.0
12.5'	28	6.1	6.1

0° Aiming Angle Horizontal Footcandles

35° Distribution

D	FC	L	W
5.0'	127	3.2	3.2
7.5'	59	4.8	4.8
10.0'	34	6.2	6.2
12.5'	22	7.6	7.6

0° Aiming Angle Horizontal Footcandles

55° Distribution

D	FC	L	W
5.0'	79	4.6	4.6
7.5'	36	6.6	6.6
10.0'	21	9.0	9.0
12.5'	14	11.4	11.4

Rook® 250 Mini

2.5" Mini Round Pendant, Direct Only



PROJECT:	TYPE:
-----------------	--------------

Dimming Compatibility

Amerlux® Rook® fixtures are compatible with all major dimming protocols prevalent in the United States. Please see below for general compatibilities and wiring diagrams. Amerlux recommends testing your unique dimming configuration as the exact full configuration (*Dimmer, Fixture Quantity, Voltage, etc*) may affect dimming performance.

--- NOTE: INFORMATION BELOW IS FOR WIRED DIMMERS ONLY. FOR WIRELESS DIMMERS, CONSULT FACTORY ---

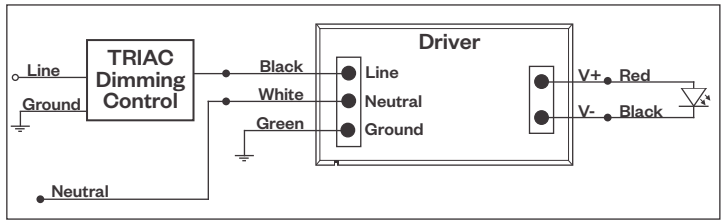
TRIAC (Forward Phase) Dimming

Utilizes standard TRIAC dimmers that are in wide use in installations across the US. Best for retrofit applications where TRIAC dimmers are installed.

Notes:

- 120VAC or 277VAC*
- Dims down to 5% light output (*most cases*)
- Consult Dimming manufacturer for installation instructions - **DO NOT SHARE NEUTRALS!**
- Must meet dimmer Minimum Load Requirements per dimming manufacturer

TRIAC Wiring Diagram



Compatible Dimmers†:	
Wall Box (TRIAC 120VAC)	Central System
Lutron "Diva"	Lutron "GP" Panel
Lutron "Nova-T"	Lutron Grafik Eye QS
Lutron "Maestro"	
Lutron "Skylark"	

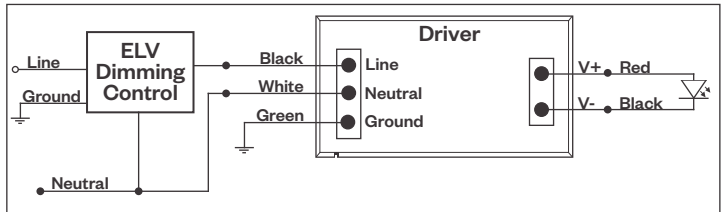
ELV - Electronic Low Voltage (Reverse Phase) Dimming

Utilizes specialized "ELV" dimmers.

Notes:

- 120VAC or 277VAC*
- Dims down to 5% light output (*most cases*)
- Consult Dimming manufacturer for installation instructions - **DO NOT SHARE NEUTRALS!**
- Must meet dimmer Minimum Load Requirements per dimming manufacturer

ELV Wiring Diagram



Compatible Dimmers†:		
Wall Box (ELV 120VAC)	Wall Box (ELV 277VAC)	Central System
Lutron "Diva"	Leviton Revoir II AWSMT-E	Lutron "GP" Panel with PHPM-PA 120/277VAC
Lutron "Nova-T"		Lutron Grafik Eye QS with PHPM-PA 120/277VAC
Lutron "Maestro"		
Lutron "Skylark"		
Leviton "Surslide"		
Leviton "Vizio"		

Notes:

* Driver is 277VAC dimmable with appropriate dimmer (*by others*). All provided wiring diagrams show 120VAC wiring colors and method. Please refer to 277VAC dimmer installation instructions for 277VAC wiring diagrams.

† The absence of a dimmer from the lists above does not imply incompatibility. Please consult factory for compatibility inquiries.

Rook® 250 Mini

2.5" Mini Round Pendant, Direct Only



PROJECT:	TYPE:
-----------------	--------------

Dimming Compatibility *(continued)*

Amerlux® Rook® fixtures are compatible with all major dimming protocols prevalent in the United States. Please see below for general compatibilities and wiring diagrams. Amerlux recommends testing your unique dimming configuration as the exact full configuration (*Dimmer, Fixture Quantity, Voltage, etc*) may affect dimming performance.

--- NOTE: INFORMATION BELOW IS FOR WIRED DIMMERS ONLY. FOR WIRELESS DIMMERS, CONSULT FACTORY ---

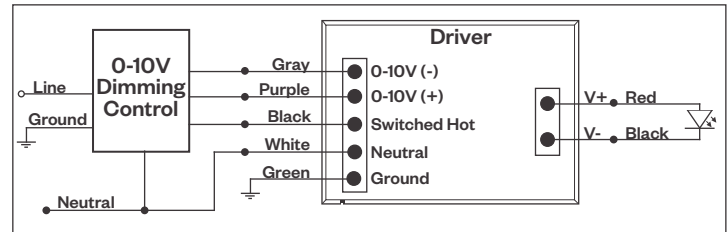
0-10V DIMMING

Integrates into a variety of building management and daylighting controls

Notes:

- 120VAC or 277VAC*
- Dims down to 1% light output
- Requires interface to turn off power to driver
- Consult Dimming manufacturer for installation instructions - **DO NOT SHARE NEUTRALS!**

0-10V Wiring Diagram



Compatible Dimmers*:

Wall Box	Central System
Lutron "Diva" - DVSTV	Lutron Grafik Eye with GRX-TVI Interface
Leviton Renoir II 0-10V	

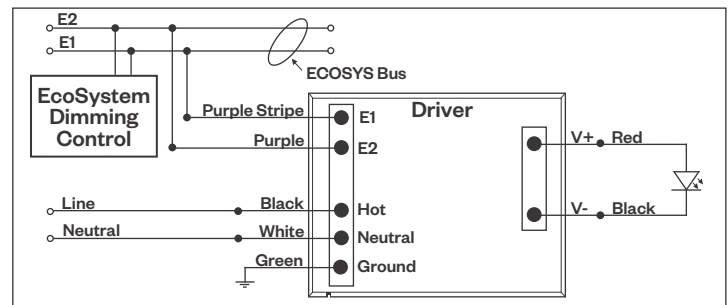
LUTRON P-SERIES / ECOSYSTEM

Integrates into Lutron EcoSystem building management

Notes:

- 120VAC or 277VAC*
- Dims down to 0.1% light output
- EcoSystem Control
- Consult Dimming manufacturer for installation instructions - **DO NOT SHARE NEUTRALS!**

HILUME-P-ECO EcoSystem Digital Control Wiring Diagram



Compatible Dimmers*:

Wall Box	Central System
Lutron "Diva"	Lutron EcoSystem compatible controls
Lutron "Nova-T"	
Lutron "Maestro"	

Notes:

* Driver is 277VAC dimmable with appropriate dimmer (*by others*). All provided wiring diagrams show 120VAC wiring colors and method. Please refer to 277VAC dimmer installation instructions for 277VAC wiring diagrams.

† The absence of a dimmer from the lists above does not imply incompatibility. Please consult factory for compatibility inquiries.