

INSTRUCTION SHEET



ROOK CANOPY (Ø5") MOUNT, CORD SUSPENSION (C.C)

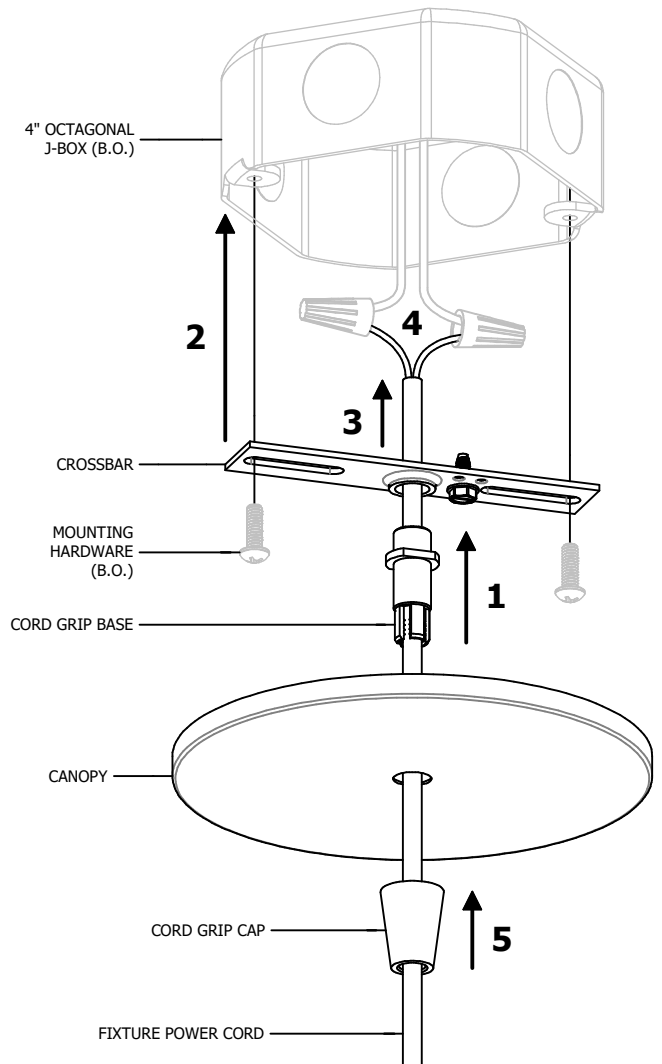
689-20098

PAGE 1 OF 1

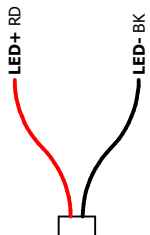
WARNING - RISK OF FIRE AND ELECTRICAL SHOCK. FIXTURE MUST BE INSTALLED BY A QUALIFIED ELECTRICIAN ONLY. FIXTURE IS INTENDED FOR INSTALLATION IN ACCORDANCE WITH THE NATIONAL ELECTRICAL CODE, LOCAL AND FEDERAL SPECIFICATIONS. DISCONNECT POWER AT ELECTRICAL PANEL BEFORE SERVICING.

RETAIN THESE INSTRUCTIONS FOR MAINTENANCE REFERENCE.

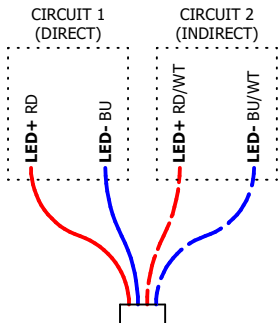
- 1** THREAD CORD GRIP BASE INTO CROSSBAR
- 2** ATTACH CROSSBAR TO JUNCTION BOX (B.O.) WITH HARDWARE (B.O.)
- 3** FEED FIXTURE POWER CORD THROUGH CORD GRIP CAP, THEN CANOPY, THEN CORD GRIP BASE, ADJUSTING SUSPENSION HEIGHT. CUT AND STRIP EXCESS POWER CORD AS NEEDED.
- 4** SPLICE FIXTURE WIRES TO INCOMING WIRES
- 5** THREAD CORD GRIP CAP ONTO CORD GRIP BASE, SECURING CANOPY



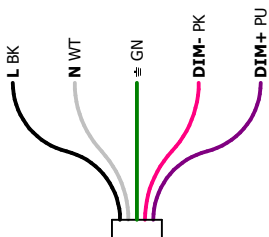
2-WIRE



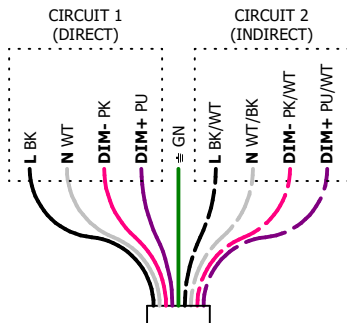
4-WIRE



5-WIRE



9-WIRE



Amerlux, 178 Bauer Drive, Oakland, N.J. 07436, T: 973-882-5010, F: 973-882-2604 www.amerlux.com

INSTRUCTION SHEET



ROOK CANOPY (Ø5") MOUNT, RIGID STEM SUSPENSION (C.RS)

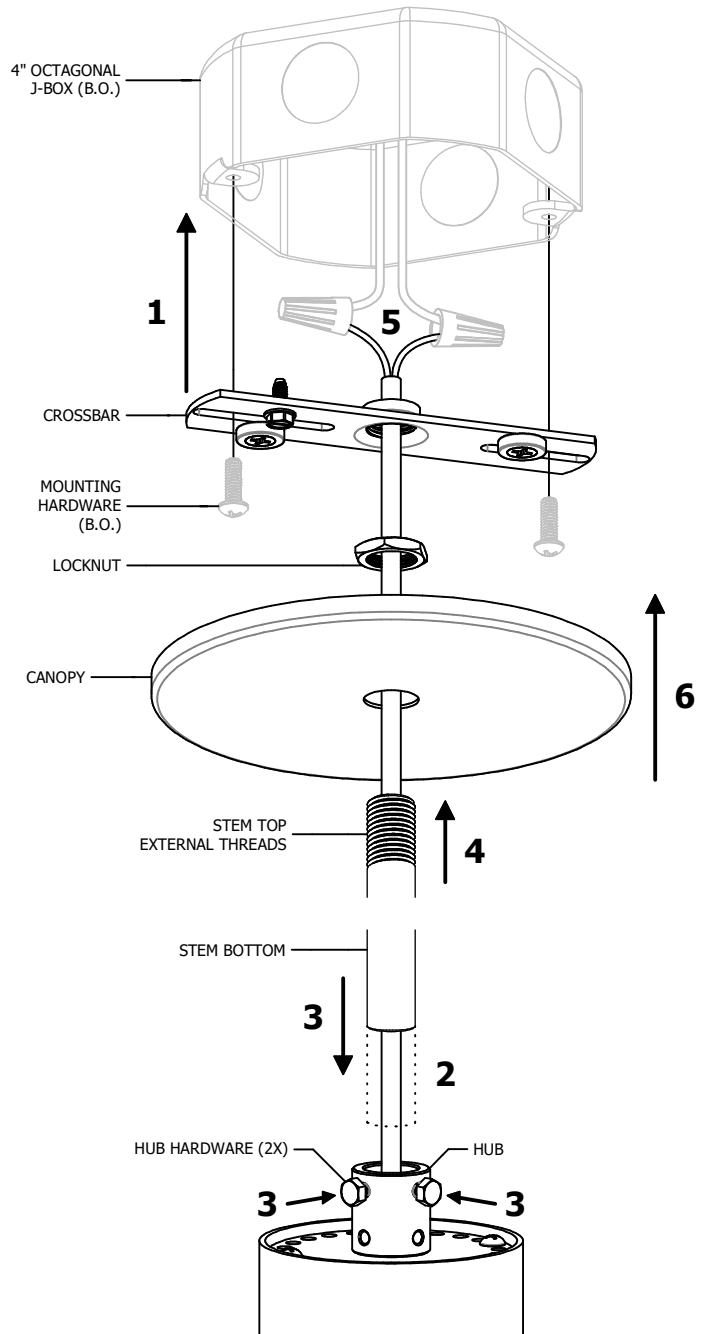
689-20099

PAGE 1 OF 1

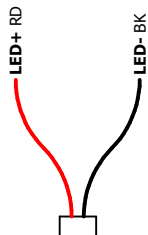
WARNING - RISK OF FIRE AND ELECTRICAL SHOCK. FIXTURE MUST BE INSTALLED BY A QUALIFIED ELECTRICIAN ONLY. FIXTURE IS INTENDED FOR INSTALLATION IN ACCORDANCE WITH THE NATIONAL ELECTRICAL CODE, LOCAL AND FEDERAL SPECIFICATIONS. DISCONNECT POWER AT ELECTRICAL PANEL BEFORE SERVICING.

RETAIN THESE INSTRUCTIONS FOR MAINTENANCE REFERENCE.

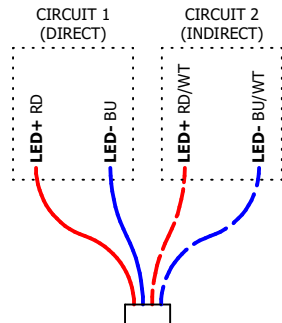
- 1** ATTACH CROSSBAR TO JUNCTION BOX (B.O.) WITH HARDWARE (B.O.)
- 2** IF NECESSARY, CUT BOTTOM OF STEM TO LENGTH. DO NOT CUT END WITH EXTERNAL THREADS.
- 3** FEED FIXTURE WIRES THROUGH STEM, THEN INSERT STEM INTO FIXTURE HUB & SECURE WITH HUB HARDWARE (2X)
- 4** SLIDE CANOPY OVER STEM, THREAD LOCKNUT ONTO STEM, THEN THREAD STEM INTO CROSSBAR & SECURE WITH LOCKNUT
- 5** SPLICE FIXTURE WIRES TO INCOMING WIRES
- 6** RAISE CANOPY TO MAGNETIC CROSSBAR



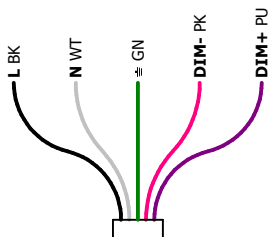
2-WIRE



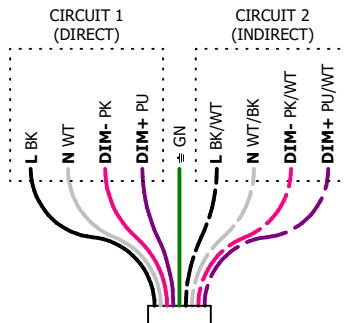
4-WIRE



5-WIRE



9-WIRE



Amerlux, 178 Bauer Drive, Oakland, N.J. 07436, T: 973-882-5010, F: 973-882-2604 www.amerlux.com

INSTRUCTION SHEET



ROOK CANOPY (Ø5") MOUNT, SWIVEL STEM SUSPENSION (C.SS)

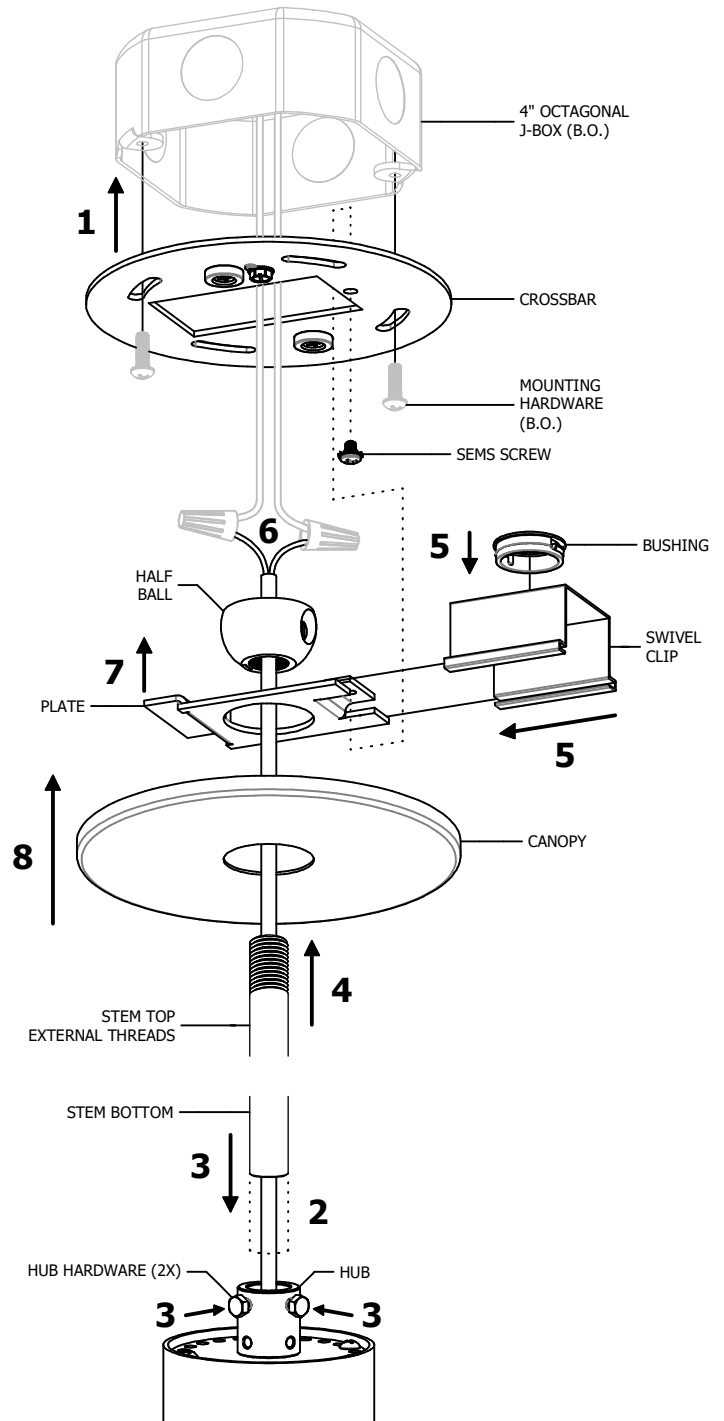
689-20100

PAGE 1 OF 1

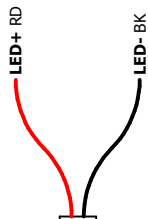
WARNING - RISK OF FIRE AND ELECTRICAL SHOCK. FIXTURE MUST BE INSTALLED BY A QUALIFIED ELECTRICIAN ONLY. FIXTURE IS INTENDED FOR INSTALLATION IN ACCORDANCE WITH THE NATIONAL ELECTRICAL CODE, LOCAL AND FEDERAL SPECIFICATIONS. DISCONNECT POWER AT ELECTRICAL PANEL BEFORE SERVICING.

RETAIN THESE INSTRUCTIONS FOR MAINTENANCE REFERENCE.

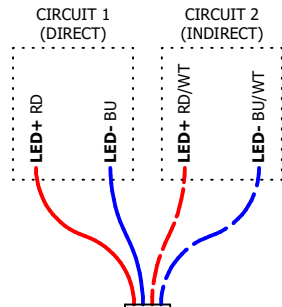
- 1** ATTACH CROSSBAR TO JUNCTION BOX (B.O.) WITH HARDWARE (B.O.)
- 2** IF NECESSARY, CUT BOTTOM OF STEM TO LENGTH. DO NOT CUT END WITH EXTERNAL THREADS.
- 3** FEED FIXTURE WIRES THROUGH STEM, THEN INSERT STEM INTO FIXTURE HUB & SECURE WITH HUB HARDWARE (2X)
- 4** SLIDE CANOPY AND PLATE OVER STEM, THEN THREAD STEM INTO HALF BALL AND SECURE WITH BALL SCREW
- 5** INSERT BUSHING INTO SWIVEL CLIP AND SLIDE CLIP ONTO PLATE, FEEDING FIXTURE WIRES THROUGH BUSHING
- 6** SPLICE FIXTURE WIRES TO INCOMING WIRES
- 7** LIFT PLATE UP THROUGH CROSSBAR HOLE, THEN SHIFT INTO PLACE AND SECURE PLATE TO CROSSBAR WITH SEMS SCREW
- 8** RAISE CANOPY TO MAGNETIC CROSSBAR



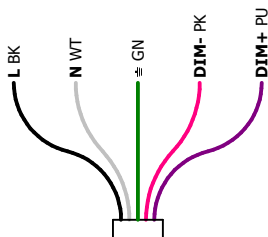
2-WIRE



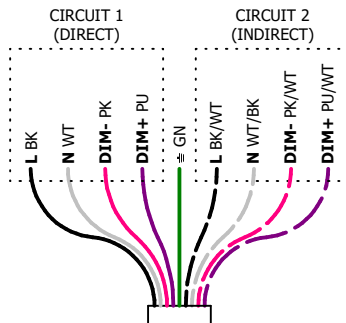
4-WIRE



5-WIRE



9-WIRE



Amerlux, 178 Bauer Drive, Oakland, N.J. 07436, T: 973-882-5010, F: 973-882-2604 www.amerlux.com

INSTRUCTION SHEET



ROOK CANOPY (Ø5") MOUNT, SURFACE SUSPENSION (C.SM)

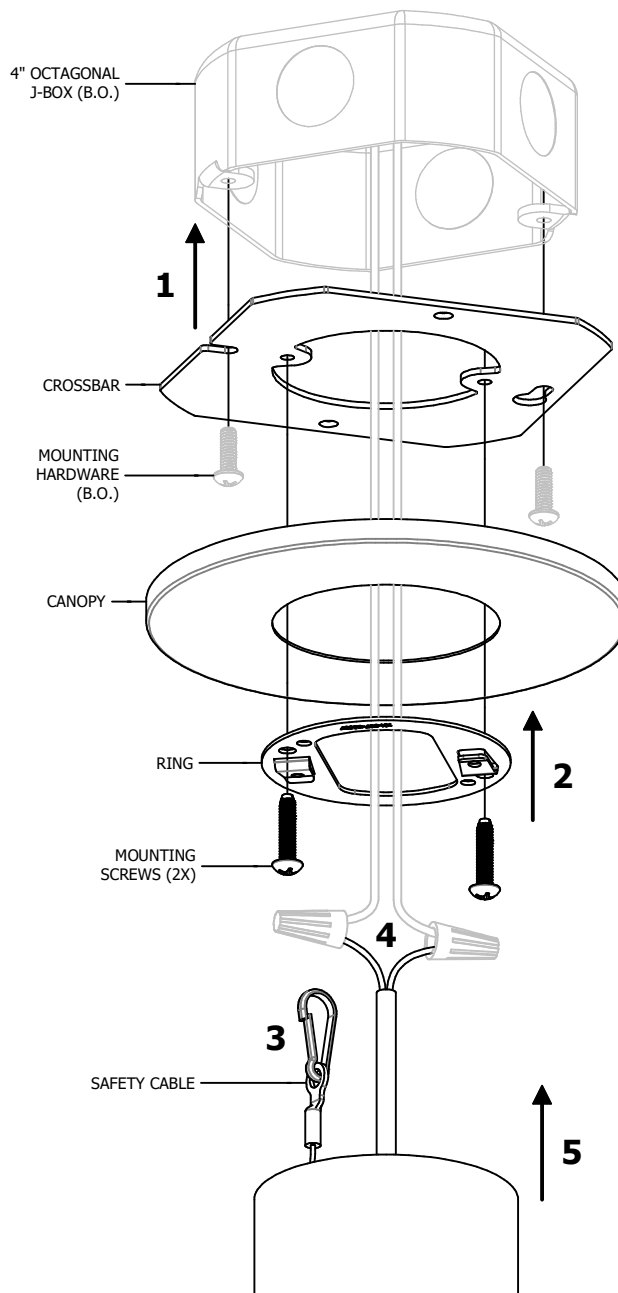
689-20101

PAGE 1 OF 1

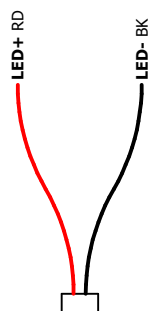
WARNING - RISK OF FIRE AND ELECTRICAL SHOCK. FIXTURE MUST BE INSTALLED BY A QUALIFIED ELECTRICIAN ONLY. FIXTURE IS INTENDED FOR INSTALLATION IN ACCORDANCE WITH THE NATIONAL ELECTRICAL CODE, LOCAL AND FEDERAL SPECIFICATIONS. DISCONNECT POWER AT ELECTRICAL PANEL BEFORE SERVICING.

RETAIN THESE INSTRUCTIONS FOR MAINTENANCE REFERENCE.

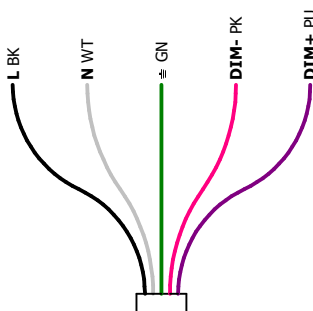
- 1 ATTACH CROSSBAR TO JUNCTION BOX (B.O.) WITH HARDWARE (B.O.)
- 2 ATTACH RING AND CANOPY TO CROSSBAR WITH MOUNTING SCREWS
- 3 ATTACH FIXTURE SAFETY CABLE TO EITHER UNUSED HOLE IN RING
- 4 SPLICE FIXTURE WIRES TO INCOMING WIRES
- 5 RAISE FIXTURE TO RING AND ROTATE CLOCKWISE TO LOCK IN PLACE



2-WIRE



5-WIRE



Amerlux, 178 Bauer Drive, Oakland, N.J. 07436, T: 973-882-5010, F: 973-882-2604 www.amerlux.com