

# Rook® 250 Mini

2.5" Mini Round Pendant, Frame Mount, Direct Only



PROJECT:

TYPE:

## Features

The Rook 250 Mini Frame-Mount offers remote drivers in the most convenient location: above each fixture. The housing allows for more driver options, single or dual circuit control and accommodates EM battery packs. The Frame Mount installation method is perfect for a trimless, clean and minimal aesthetic. Just under 4.5" in height, this small round pendant maximizes a 2.5" aperture with several performance outputs and finishes to stir and grab attention.



## Product Overview

Type: Round Pendant, Direct, Frame Mount  
 Wattage: 6W, 8W, 10W, 12W, 14W, 16W, 18W  
 Color Temp: 2700K, 3000K, 3500K, 4000K  
 CRI: 80+ typ. or 90+ typ.  
 Dimming: TRIAC & ELV, 5% Dim, 120V/277VAC  
 0-10V, 1% dim, 120V/277VAC  
 Lutron Hi-lume® EcoSystem Premier 0.1% dim with soft-on& fade-to-black, 120V/277VAC (consult factory for availability)  
 DALI, 1% dim, 120V/277VAC  
 Power over ethernet (PoE), consult factory

## Certifications



## Fixture Summary

### Performance Data

Watts	Delivered Lumens	LPW	Color Temp	CRI	Watts	Delivered Lumens	LPW	Color Temp	CRI
6	643	107.2	3000K	80+	14	1395	99.6	3000K	80+
8	845	105.6	3000K	80+	16	1561	97.6	3000K	80+
10	1028	102.8	3000K	80+	18	1671	92.8	3000K	80+
12	1212	101	3000K	80+					

Data is based on 3000K-83 120V IES files available on website.

### Electrical Data

Voltage	6W		8W		10W		12W	
	System Watts	Amps	System Watts	Amps	System Watts	Amps	System Watts	Amps
120V	6	0.05	8	0.07	10	0.08	12	0.1
277V	6	0.02	8	0.03	10	0.04	12	0.04
Voltage	14W		16W		18W			
	System Watts	Amps	System Watts	Amps	System Watts	Amps		
120V	14	0.12	16	0.13	18	0.15		
277V	14	0.05	16	0.06	18	0.07		

Electronic constant current LED driver

# Rook® 250 Mini

2.5" Mini Round Pendant, Frame Mount, Direct Only



PROJECT:

TYPE:

## Ordering Information - Frame

RK250MRD-NC . . . . . 120-277 . . . . .					
1	2	3	4	5	6
<b>1 Model</b> RK250MRD-NC (new construction)	<b>2 Style</b> T trimmed (canopy) TL trimless (flush plate)	<b>3 Wattage</b> (lumens delivered @ 83 CRI/30K/55° beam) 6 6W (643 lm) 8 8W (845 lm) 10 10W (1028 lm) 12 12W (1212 lm) 14 14W (1395 lm) 16 16W (1561 lm) 18 18W (1671 lm)			
<b>4 Voltage</b> 120-277 120V-277V	<b>5 Driver</b> LE/TE TRIAC/ELV dimming, 5% dim 0-10V 0-10V dimming, 1% dim HILUME-P-ECO Lutron Hi-lume® EcoSystem Premier 0.1% dim with soft-on and fade-to-black, 120V/277VAC (consult factory for availability) DALI DALI dimming, 1% dim POE PoE, consult factory	<b>6 Options/Accessories</b> EM emergency battery pack with remote test switch HB49 hanger bars from min 29" to max 49" <i>Note: 26" hanger bars are included as standard. Choose HB49 option for larger mounting spaces only.</i>			

## Ordering Information - Direct Fixture

RK250MRD-F . . . . .								
1	2	3	4	5	6	7	8	9
<b>1 Model</b> RK250MRD-F mini round direct, frame mount	<b>2 Housing Finish</b> MW matte white MB matte black SLV matte silver _____ custom RAL finish			<b>3 Style</b> T trimmed (canopy) TL trimless (flush plate)				
<b>4 Suspension</b> <u>Cord</u> (nominal overall length, field adjustable) C4 cord, 4' C8 cord, 8' <u>Stem</u> (nominal overall length, stem can be field cuttable) RS4 rigid stem, 4' RS8 rigid stem, 8'			<b>5 Mounting/Suspension Finish</b> <u>Surface</u> SM surface mount		<b>6 Trim Finish</b> MW matte white MB matte black SLV matte silver _____ custom RAL finish			
<b>7 Beam Spread</b> 30 30° 35 35° 55 55°	<b>8 Color Temp and CRI</b> 80+ CRI      90+ CRI 27 2700K, 80+      279 2700K, 90+ 30 3000K, 80+      309 3000K, 90+ 35 3500K, 80+      359 3500K, 90+ 40 4000K, 80+      409 4000K, 90+		<b>9 Options/Accessories</b> <u>Glare Control</u> (can only take one) SOL solite beam softening lens HEX hexcell louver <u>Decorative</u> GDC** 1/2" glow lens, direct, clear GDF** 1/2" glow lens, direct, frosted <b>** Consult factory for custom length and/or for availability.</b>					

# Rook® 250 Mini

2.5" Mini Round Pendant, Frame Mount, Direct Only



PROJECT:

TYPE:

## Specifications

### Application

Retail and commercial ambient/task lighting

### Construction

20 ga. galvanized steel frame  
18 ga. galvanized steel splice housing and hanger brackets  
Cast aluminum plaster frame with perforated face (for trimless version only)  
Extruded aluminum pendant housing  
Die-cast trim

### Optical

Beam Spreads: 30°, 35°, 55°  
Optional Glow Lens - 1/2" acrylic glow lens (clear or frosted)

### LED

Color Temp: 2700K, 3000K, 3500K, 4000K  
CRI: 80+ typ. or 90+ typ.  
R9 Values: 11 (83 CRI), 55 (92 CRI)  
Binning: 3 MacAdam (SDCM)  
Life: 50,000+ hrs, > 70% of initial lumens at 50,000 hrs

### Electrical

Wattage: 6W, 8W, 10W, 12W, 14W, 16W, 18W  
Electronic constant current LED driver, 120V-277V input  
**This product complies with IEEE C62.41 for surge endurance up to 2.5KV. Amerlux® recommends using additional surge protection with this unit (supplied by others), surge and over voltage damage is not covered under warranty.**

### Drivers

LE/TE - Leading Edge, TRIAC, forward phase/Trailing Edge, ELV, reverse phase; 5% dim  
0-10V dimming, 1% dim  
Lutron Hi-lume EcoSystem Premier 0.1% dim with soft on & fade to black, 120/277VAC (consult factory for availability)  
DALI dimming, 1% dim (must use remote driver box)  
PoE, consult factory  
See pages 6-7 for more dimming information

### Finish

Powder coat paint  
Consult factory for custom finishes

### Mounting

26" Hanger bars included  
Optional **HB49** - hanger bars from min 29" to max 49" available  
Trimmed Fixture: For use in grid or sheetrock ceilings, 5/8" - 2" standard  
Trimless Fixture: For use in sheetrock ceilings, max ceiling thickness 5/8"

### Suspension

Cord: 4 ft or 8 ft nominal lengths, field adjustable, 22 AWG  
Stem: 4 ft or 8 ft nominal lengths, rigid stem, field cuttable  
Surface: Surface mount

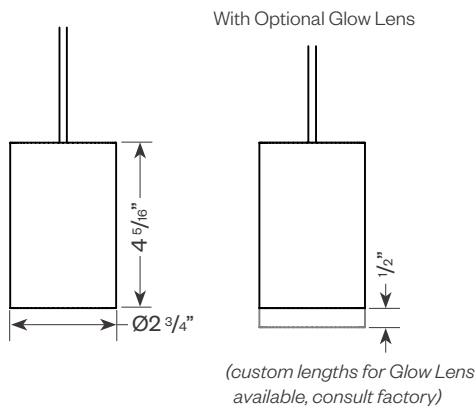
### Certifications

CSA tested to UL standards  
Indoor use only  
Damp location

### Warranty

5 year limited warranty

## Product Details



# Rook® 250 Mini

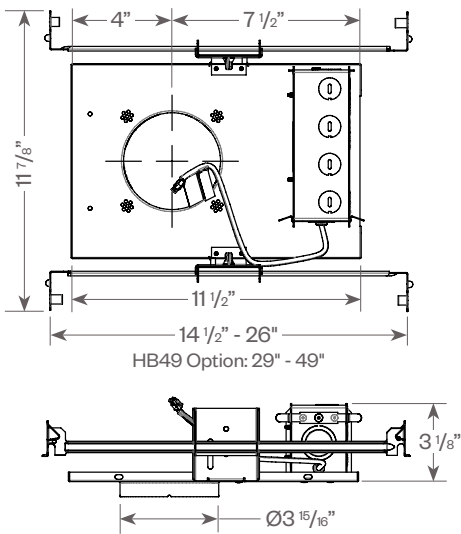
2.5" Mini Round Pendant, Frame Mount, Direct Only



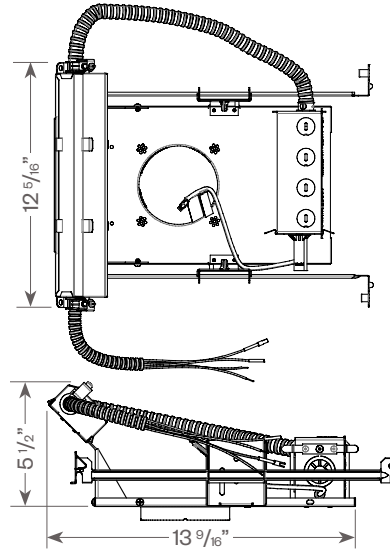
PROJECT:

TYPE:

## Product Details



With Emergency Battery Pack

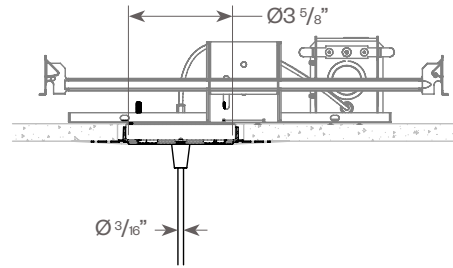
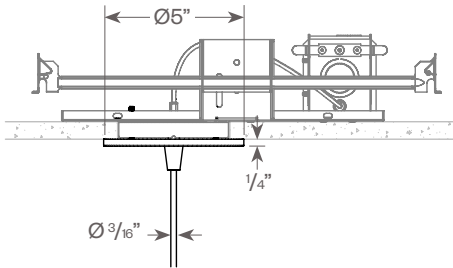


## Mounting Options

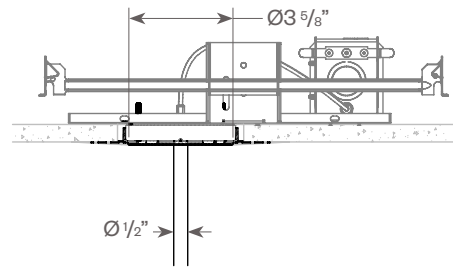
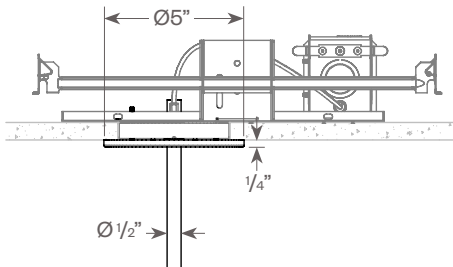
Trimmed

Trimless

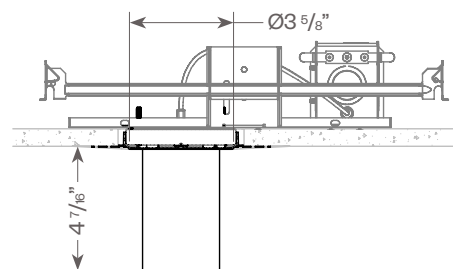
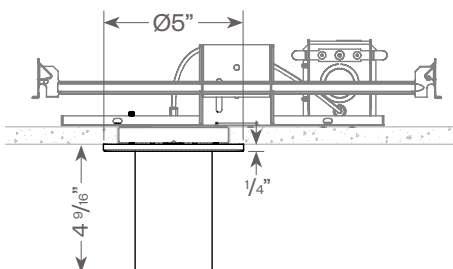
Cord



Rigid Stem



Surface Mount



# Rook® 250 Mini

2.5" Mini Round Pendant, Frame Mount, Direct Only



PROJECT:

TYPE:

## Performance Data

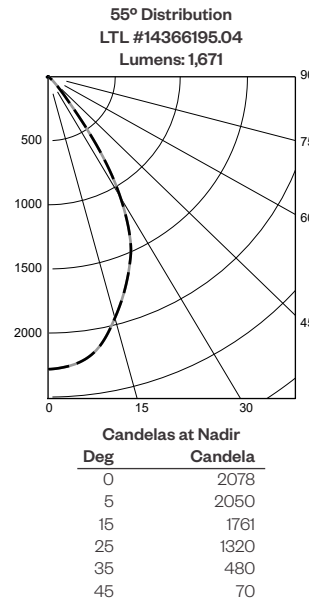
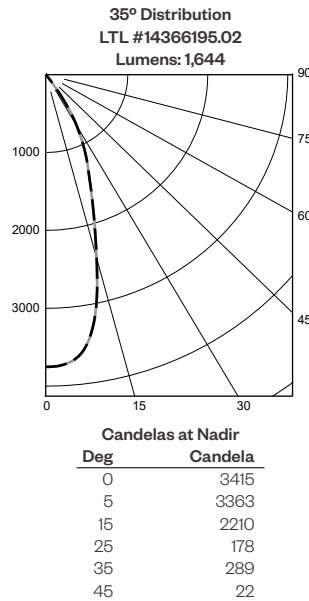
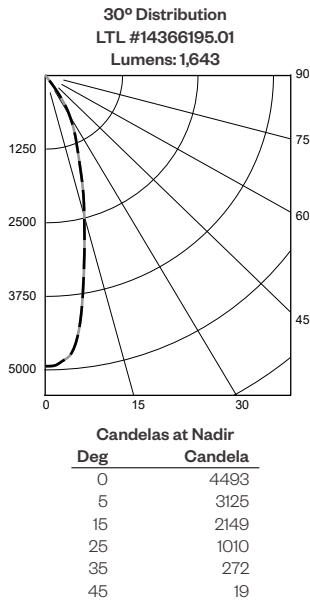
**Multiplying Factors:** (Multiplying Factor is based on 3000K, 80+ 120V IES file on website)

Wattage:	6W	8W	10W	12W	14W	16W	18W	20W*
Factor:	0.35	0.46	0.56	0.66	0.76	0.85	0.91	1.0

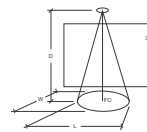
\* Multiplying factors based on an IES 20W tested fixture. 20W is not available for this fixture type.

OCT:	2700K, 80+	3000K, 80+	3500K, 80+	4000K, 80+	2700K, 90+	3000K, 90+	3500K, 90+	4000K, 90+
Factor:	0.96	1.0	1.02	1.04	0.80	0.83	0.87	0.90

### 18W, 3000K, 80+



## Application Data



### Notes and Definitions:

- Beam spread is to 50% center beam candlepower (CBCP).
- D=Distance to floor or wall.
- FC=Footcandles on floor or wall at center beam aiming location.
- L=Effective Visual Beam length in feet (50% of maximum footcandle level).
- W=Effective Visual Beam width in feet (50% of maximum footcandle level).



0° Aiming Angle  
Horizontal  
Footcandles

### 30° Distribution

D	FC	L	W
5.0'	154	2.9	2.9
7.5'	76	3.8	3.8
10.0'	44	5.0	5.0
12.5'	28	6.1	6.1



0° Aiming Angle  
Horizontal  
Footcandles

### 35° Distribution

D	FC	L	W
5.0'	127	3.2	3.2
7.5'	59	4.8	4.8
10.0'	34	6.2	6.2
12.5'	22	7.6	7.6



0° Aiming Angle  
Horizontal  
Footcandles

### 55° Distribution

D	FC	L	W
5.0'	79	4.6	4.6
7.5'	36	6.6	6.6
10.0'	21	9.0	9.0
12.5'	14	11.4	11.4

# Rook® 250 Mini

2.5" Mini Round Pendant, Frame Mount, Direct Only



PROJECT:

TYPE:

## Dimming Compatibility

Amerlux® Rook® fixtures are compatible with all major dimming protocols prevalent in the United States. Please see below for general compatibilities and wiring diagrams. Amerlux recommends testing your unique dimming configuration as the exact full configuration (*Dimmer, Fixture Quantity, Voltage, etc*) may affect dimming performance.

--- NOTE: INFORMATION BELOW IS FOR WIRED DIMMERS ONLY. FOR WIRELESS DIMMERS, CONSULT FACTORY ---

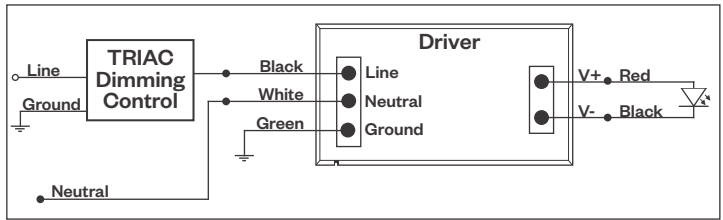
### TRIAC (Forward Phase) Dimming

Utilizes standard TRIAC dimmers that are in wide use in installations across the US. Best for retrofit applications where TRIAC dimmers are installed.

**Notes:**

- 120VAC or 277VAC\*
- Dims down to 5% light output (*most cases*)
- Consult Dimming manufacturer for installation instructions - **DO NOT SHARE NEUTRALS!**
- Must meet dimmer Minimum Load Requirements per dimming manufacturer

### TRIAC Wiring Diagram



Compatible Dimmers†:	
Wall Box (TRIAC 120VAC)	Central System
Lutron "Diva"	Lutron "GP" Panel
Lutron "Nova-T"	Lutron Grafik Eye QS
Lutron "Maestro"	
Lutron "Skylark"	

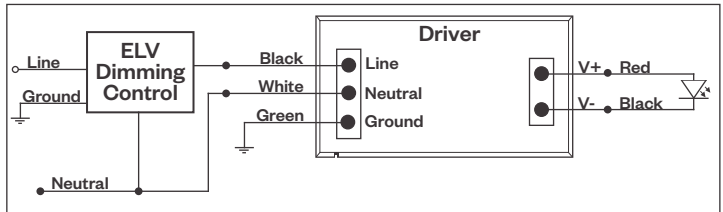
### ELV - Electronic Low Voltage (Reverse Phase) Dimming

Utilizes specialized "ELV" dimmers.

**Notes:**

- 120VAC or 277VAC\*
- Dims down to 5% light output (*most cases*)
- Consult Dimming manufacturer for installation instructions - **DO NOT SHARE NEUTRALS!**
- Must meet dimmer Minimum Load Requirements per dimming manufacturer

### ELV Wiring Diagram



Compatible Dimmers†:		
Wall Box (ELV 120VAC)	Wall Box (ELV 277VAC)	Central System
Lutron "Diva"	Leviton Revoir II AWSMT-E	Lutron "GP" Panel with PHPM-PA 120/277VAC
Lutron "Nova-T"		Lutron Grafik Eye QS with PHPM-PA 120/277VAC
Lutron "Maestro"		
Lutron "Skylark"		
Leviton "Surslide"		
Leviton "Vizio"		

**Notes:**

\* Driver is 277VAC dimmable with appropriate dimmer (*by others*). All provided wiring diagrams show 120VAC wiring colors and method. Please refer to 277VAC dimmer installation instructions for 277VAC wiring diagrams.

† The absence of a dimmer from the lists above does not imply incompatibility. Please consult factory for compatibility inquiries.

# Rook® 250 Mini

2.5" Mini Round Pendant, Frame Mount, Direct Only



**PROJECT:**

**TYPE:**

## Dimming Compatibility (continued)

Amerlux® Rook® fixtures are compatible with all major dimming protocols prevalent in the United States. Please see below for general compatibilities and wiring diagrams. Amerlux recommends testing your unique dimming configuration as the exact full configuration (*Dimmer, Fixture Quantity, Voltage, etc*) may affect dimming performance.

**--- NOTE: INFORMATION BELOW IS FOR WIRED DIMMERS ONLY. FOR WIRELESS DIMMERS, CONSULT FACTORY ---**

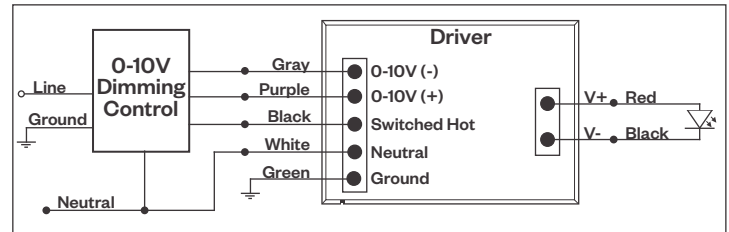
### 0-10V DIMMING

Integrates into a variety of building management and daylighting controls

**Notes:**

- 120VAC or 277VAC\*
- Dims down to 1% light output
- Requires interface to turn off power to driver
- Consult Dimming manufacturer for installation instructions - **DO NOT SHARE NEUTRALS!**

### 0-10V Wiring Diagram



**Compatible Dimmers\*:**

Wall Box	Central System
Lutron "Diva" - DVSTV	Lutron Grafik Eye with GRX-TVI Interface

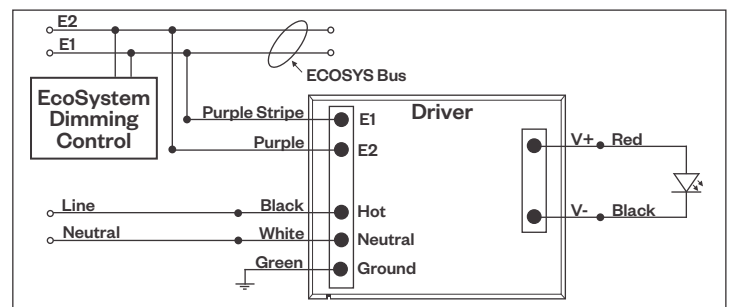
### LUTRON P-SERIES / ECOSYSTEM

Integrates into Lutron EcoSystem building management

**Notes:**

- 120VAC or 277VAC\*
- Dims down to 0.1% light output
- EcoSystem Control
- Consult Dimming manufacturer for installation instructions - **DO NOT SHARE NEUTRALS!**

### HILUME-P-ECO EcoSystem Digital Control Wiring Diagram



**Compatible Dimmers\*:**

Wall Box	Central System
Lutron "Diva"	Lutron EcoSystem compatible controls
Lutron "Nova-T"	
Lutron "Maestro"	

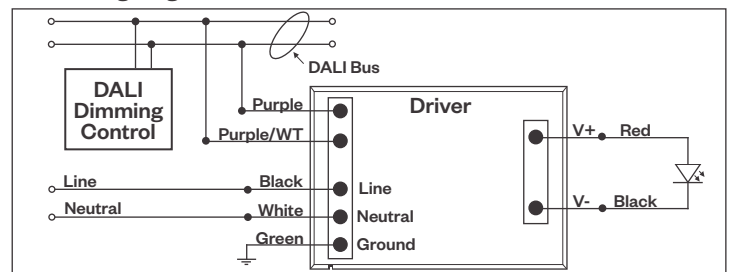
### DALI DIMMING

Digital control protocol allows individual fixture control

**Notes:**

- 120VAC - 277VAC\*
- Dims down to 1% light output in most cases

### DALI Wiring Diagram



**Compatible Dimmers\*:**

Wall Box (3-Wire Fluorescent)	Central System
Leviton CD250 Controller	Dynalite
	Fifth Light

**Notes:**

\* Driver is 277VAC dimmable with appropriate dimmer (*by others*). All provided wiring diagrams show 120VAC wiring colors and method. Please refer to 277VAC dimmer installation instructions for 277VAC wiring diagrams.

† The absence of a dimmer from the lists above does not imply incompatibility. Please consult factory for compatibility inquiries.

# Rook® 250 Mini

2.5" Mini Round Pendant, Frame Mount, Direct Only



PROJECT:

TYPE:

## Emergency Battery Pack

### Wiring Diagram

