

INSTRUCTION SHEET



ROOK REDUCED CANOPY (Ø3.5") MOUNT, CORD SUSPENSION (RC.C)

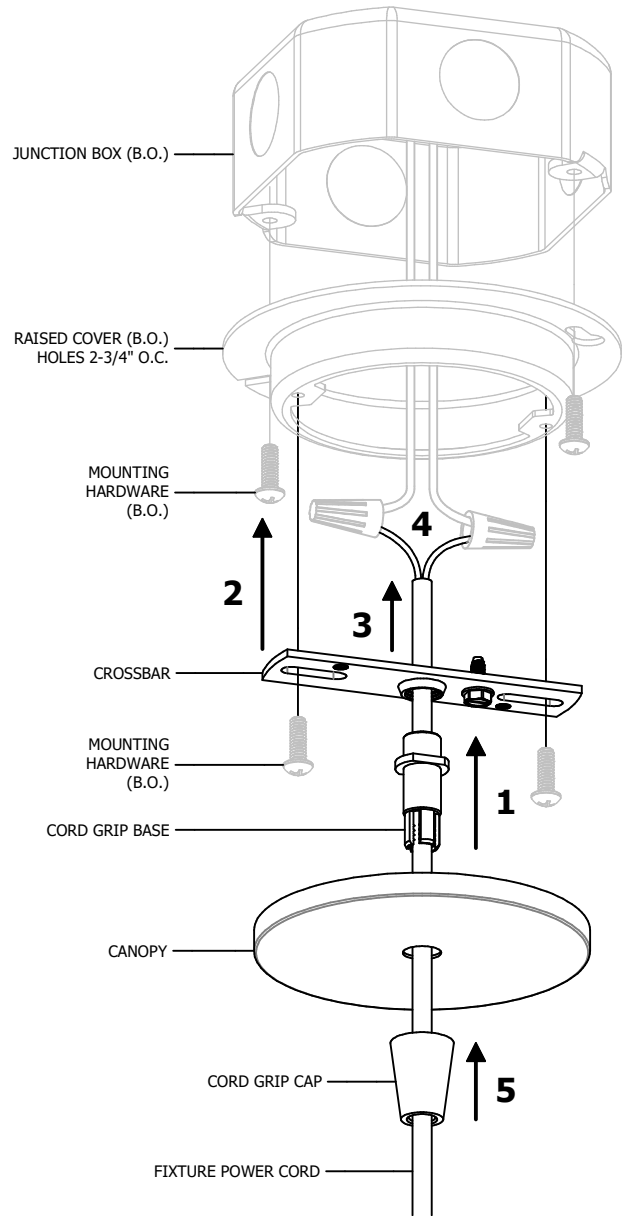
689-20105

PAGE 1 OF 1

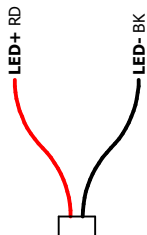
WARNING - RISK OF FIRE AND ELECTRICAL SHOCK. FIXTURE MUST BE INSTALLED BY A QUALIFIED ELECTRICIAN ONLY. FIXTURE IS INTENDED FOR INSTALLATION IN ACCORDANCE WITH THE NATIONAL ELECTRICAL CODE, LOCAL AND FEDERAL SPECIFICATIONS. DISCONNECT POWER AT ELECTRICAL PANEL BEFORE SERVICING.

RETAIN THESE INSTRUCTIONS FOR MAINTENANCE REFERENCE.

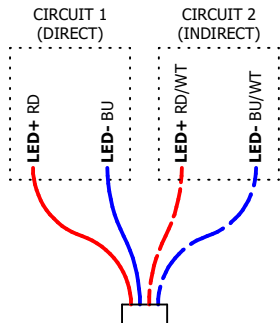
- 1** THREAD CORD GRIP BASE INTO CROSSBAR
- 2** ATTACH CROSSBAR TO RAISED COVER (B.O.) WITH HARDWARE (B.O.)
- 3** FEED FIXTURE POWER CORD THROUGH CORD GRIP CAP, THEN CANOPY, THEN CORD GRIP BASE, ADJUSTING SUSPENSION HEIGHT. CUT AND STRIP EXCESS POWER CORD AS NEEDED.
- 4** SPLICE FIXTURE WIRES TO INCOMING WIRES
- 5** THREAD CORD GRIP CAP ONTO CORD GRIP BASE, SECURING CANOPY



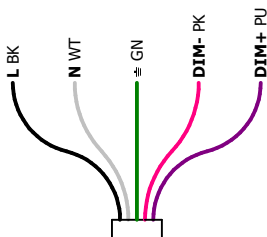
2-WIRE



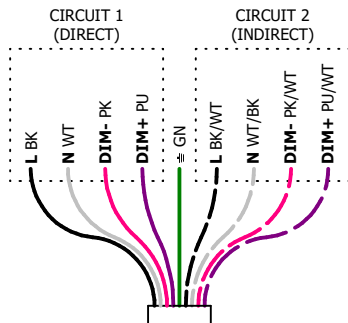
4-WIRE



5-WIRE



9-WIRE



Amerlux, 178 Bauer Drive, Oakland, N.J. 07436, T: 973-882-5010, F: 973-882-2604 www.amerlux.com

INSTRUCTION SHEET



ROOK REDUCED CANOPY (Ø3.5") MOUNT, RIGID STEM SUSPENSION (RC.RS)

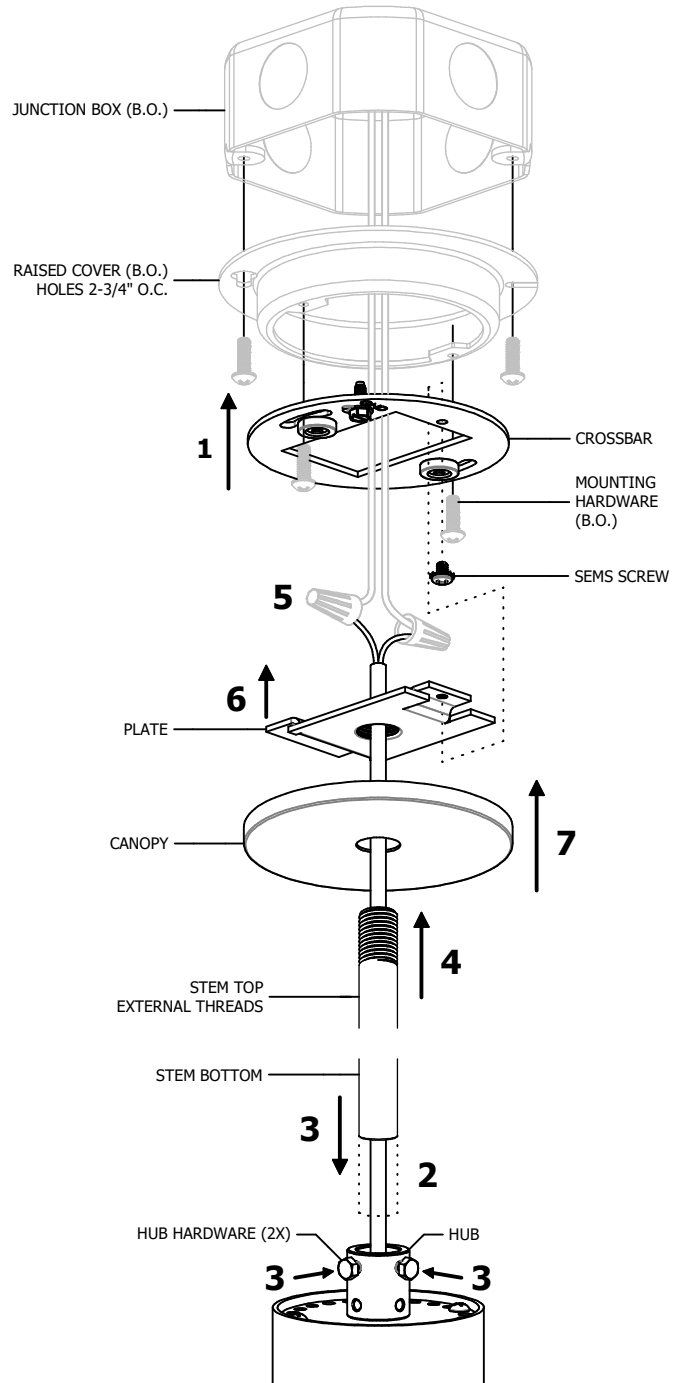
689-20106

PAGE 1 OF 1

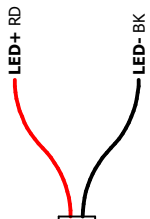
WARNING - RISK OF FIRE AND ELECTRICAL SHOCK. FIXTURE MUST BE INSTALLED BY A QUALIFIED ELECTRICIAN ONLY. FIXTURE IS INTENDED FOR INSTALLATION IN ACCORDANCE WITH THE NATIONAL ELECTRICAL CODE, LOCAL AND FEDERAL SPECIFICATIONS. DISCONNECT POWER AT ELECTRICAL PANEL BEFORE SERVICING.

RETAIN THESE INSTRUCTIONS FOR MAINTENANCE REFERENCE.

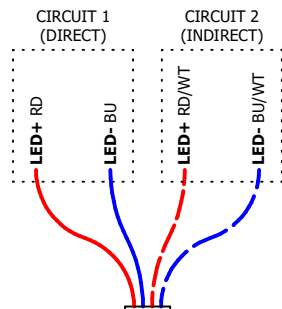
- 1** ATTACH CROSSBAR TO RAISED COVER (B.O.) WITH HARDWARE (B.O.)
- 2** IF NECESSARY, CUT BOTTOM OF STEM TO LENGTH. DO NOT CUT END WITH EXTERNAL THREADS.
- 3** FEED FIXTURE WIRES THROUGH STEM, THEN INSERT STEM INTO FIXTURE HUB & SECURE WITH HUB HARDWARE (2X)
- 4** SLIDE CANOPY OVER STEM THEN THREAD STEM INTO PLATE
- 5** SPLICE FIXTURE WIRES TO INCOMING WIRES
- 6** LIFT PLATE UP THROUGH CROSSBAR HOLE, THEN SHIFT INTO PLACE AND SECURE PLATE TO CROSSBAR WITH SEMS SCREW
- 7** RAISE CANOPY TO MAGNETIC CROSSBAR



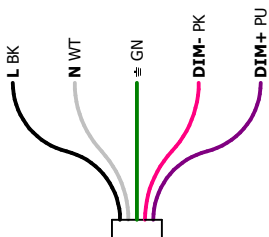
2-WIRE



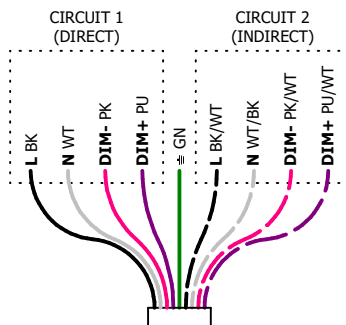
4-WIRE



5-WIRE



9-WIRE



Amerlux, 178 Bauer Drive, Oakland, N.J. 07436, T: 973-882-5010, F: 973-882-2604 www.amerlux.com

INSTRUCTION SHEET



ROOK REDUCED CANOPY (Ø3.5") MOUNT, SWIVEL STEM SUSPENSION (RC.SS)

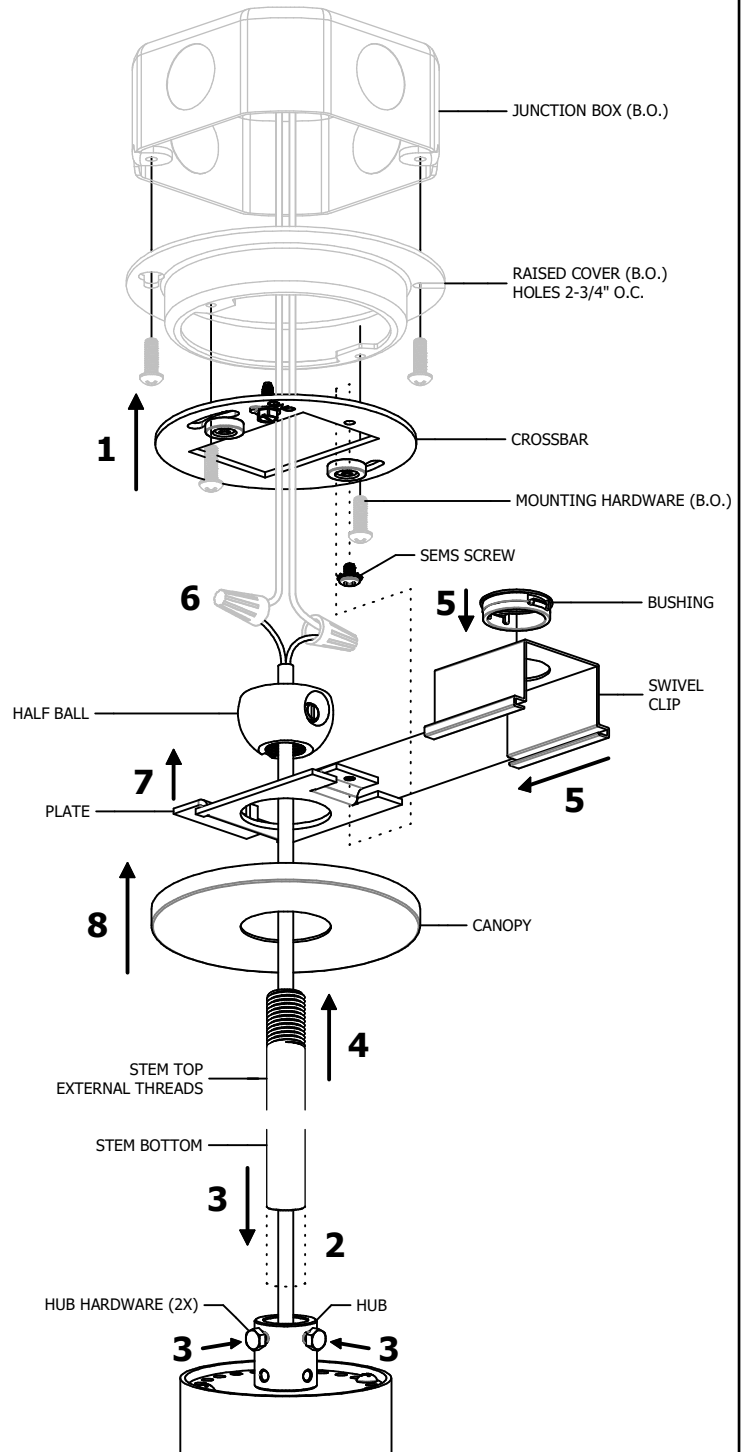
689-20107

PAGE 1 OF 1

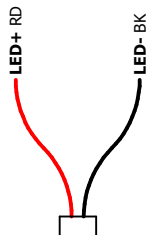
WARNING - RISK OF FIRE AND ELECTRICAL SHOCK. FIXTURE MUST BE INSTALLED BY A QUALIFIED ELECTRICIAN ONLY. FIXTURE IS INTENDED FOR INSTALLATION IN ACCORDANCE WITH THE NATIONAL ELECTRICAL CODE, LOCAL AND FEDERAL SPECIFICATIONS. DISCONNECT POWER AT ELECTRICAL PANEL BEFORE SERVICING.

RETAIN THESE INSTRUCTIONS FOR MAINTENANCE REFERENCE.

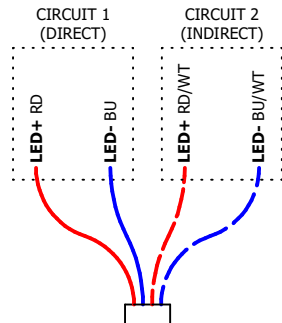
- 1** ATTACH CROSSBAR TO RAISED COVER (B.O.) WITH HARDWARE (B.O.)
- 2** IF NECESSARY, CUT BOTTOM OF STEM TO LENGTH. DO NOT CUT END WITH EXTERNAL THREADS.
- 3** FEED FIXTURE WIRES THROUGH STEM, THEN INSERT STEM INTO FIXTURE HUB & SECURE WITH HUB HARDWARE (2X)
- 4** SLIDE CANOPY AND PLATE OVER STEM, THEN THREAD STEM INTO HALF BALL AND SECURE WITH BALL SCREW
- 5** INSERT BUSHING INTO SWIVEL CLIP AND SLIDE CLIP ONTO PLATE, FEEDING FIXTURE WIRES THROUGH BUSHING
- 6** SPLICE FIXTURE WIRES TO INCOMING WIRES
- 7** LIFT PLATE UP THROUGH CROSSBAR HOLE, THEN SHIFT INTO PLACE AND SECURE PLATE TO CROSSBAR WITH SEMS SCREW
- 8** RAISE CANOPY TO MAGNETIC CROSSBAR



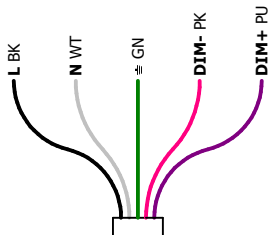
2-WIRE



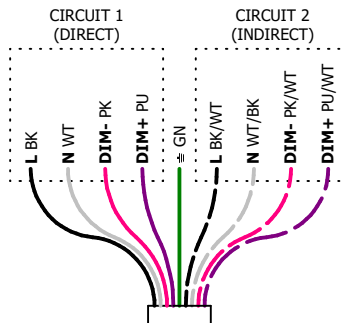
4-WIRE



5-WIRE



9-WIRE



Amerlux, 178 Bauer Drive, Oakland, N.J. 07436, T: 973-882-5010, F: 973-882-2604 www.amerlux.com