

**INSTRUCTION SHEET**



**ROOK CANOPY (Ø5") MOUNT, CORD SUSPENSION (C.C)**

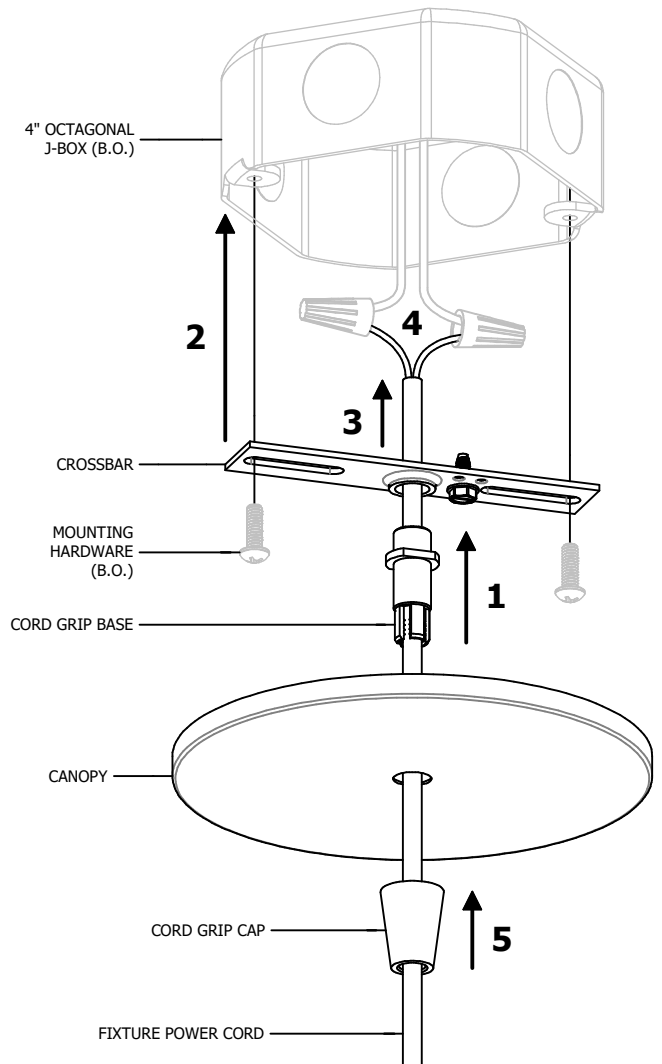
**689-20098**

PAGE 1 OF 1

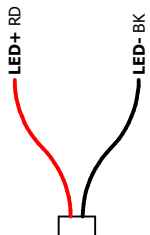
**WARNING - RISK OF FIRE AND ELECTRICAL SHOCK. FIXTURE MUST BE INSTALLED BY A QUALIFIED ELECTRICIAN ONLY. FIXTURE IS INTENDED FOR INSTALLATION IN ACCORDANCE WITH THE NATIONAL ELECTRICAL CODE, LOCAL AND FEDERAL SPECIFICATIONS. DISCONNECT POWER AT ELECTRICAL PANEL BEFORE SERVICING.**

**RETAIN THESE INSTRUCTIONS FOR MAINTENANCE REFERENCE.**

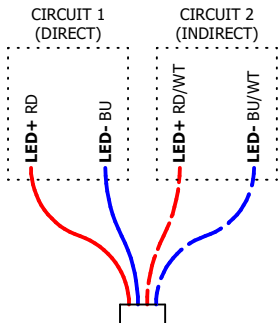
- 1** THREAD CORD GRIP BASE INTO CROSSBAR
- 2** ATTACH CROSSBAR TO JUNCTION BOX (B.O.) WITH HARDWARE (B.O.)
- 3** FEED FIXTURE POWER CORD THROUGH CORD GRIP CAP, THEN CANOPY, THEN CORD GRIP BASE, ADJUSTING SUSPENSION HEIGHT. CUT AND STRIP EXCESS POWER CORD AS NEEDED.
- 4** SPLICE FIXTURE WIRES TO INCOMING WIRES
- 5** THREAD CORD GRIP CAP ONTO CORD GRIP BASE, SECURING CANOPY



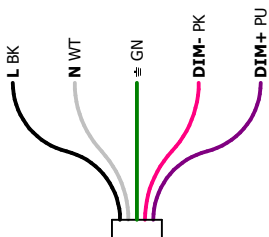
**2-WIRE**



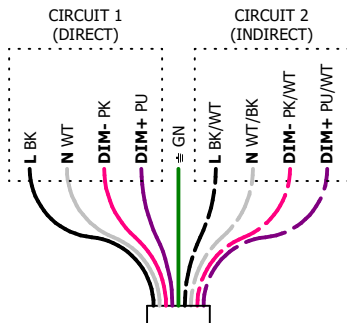
**4-WIRE**



**5-WIRE**



**9-WIRE**



**Amerlux, 178 Bauer Drive, Oakland, N.J. 07436, T: 973-882-5010, F: 973-882-2604 [www.amerlux.com](http://www.amerlux.com)**

**INSTRUCTION SHEET**



**ROOK CANOPY (Ø5") MOUNT, RIGID STEM SUSPENSION (C.RS)**

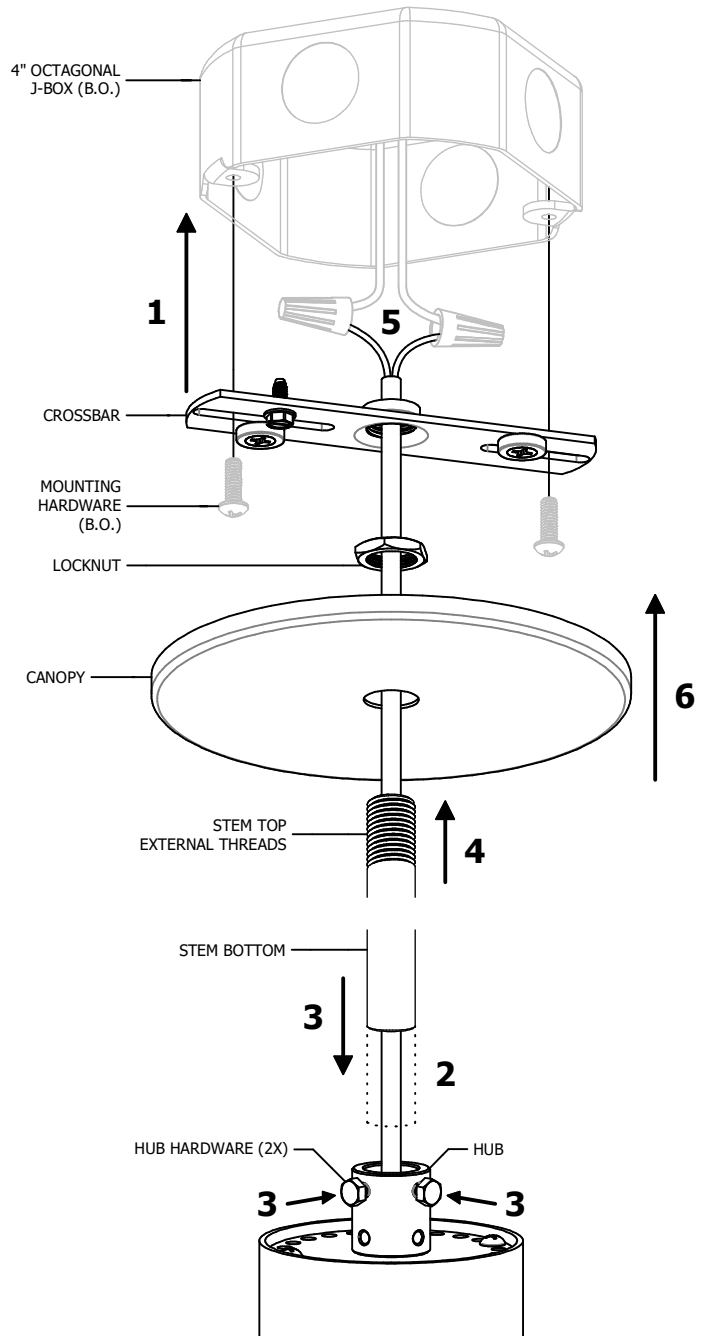
**689-20099**

PAGE 1 OF 1

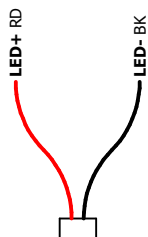
**WARNING - RISK OF FIRE AND ELECTRICAL SHOCK. FIXTURE MUST BE INSTALLED BY A QUALIFIED ELECTRICIAN ONLY. FIXTURE IS INTENDED FOR INSTALLATION IN ACCORDANCE WITH THE NATIONAL ELECTRICAL CODE, LOCAL AND FEDERAL SPECIFICATIONS. DISCONNECT POWER AT ELECTRICAL PANEL BEFORE SERVICING.**

**RETAIN THESE INSTRUCTIONS FOR MAINTENANCE REFERENCE.**

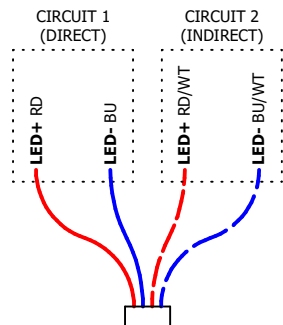
- 1** ATTACH CROSSBAR TO JUNCTION BOX (B.O.) WITH HARDWARE (B.O.)
- 2** IF NECESSARY, CUT BOTTOM OF STEM TO LENGTH. DO NOT CUT END WITH EXTERNAL THREADS.
- 3** FEED FIXTURE WIRES THROUGH STEM, THEN INSERT STEM INTO FIXTURE HUB & SECURE WITH HUB HARDWARE (2X)
- 4** SLIDE CANOPY OVER STEM, THREAD LOCKNUT ONTO STEM, THEN THREAD STEM INTO CROSSBAR & SECURE WITH LOCKNUT
- 5** SPLICE FIXTURE WIRES TO INCOMING WIRES
- 6** RAISE CANOPY TO MAGNETIC CROSSBAR



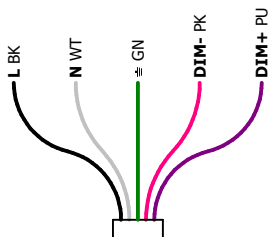
**2-WIRE**



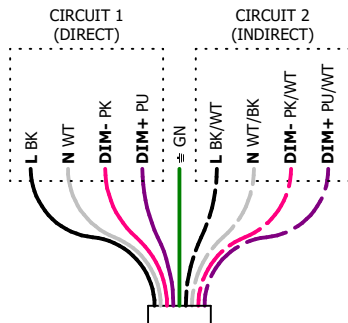
**4-WIRE**



**5-WIRE**



**9-WIRE**



**Amerlux, 178 Bauer Drive, Oakland, N.J. 07436, T: 973-882-5010, F: 973-882-2604 www.amerlux.com**

**INSTRUCTION SHEET**



**ROOK CANOPY (Ø5") MOUNT, SWIVEL STEM SUSPENSION (C.SS)**

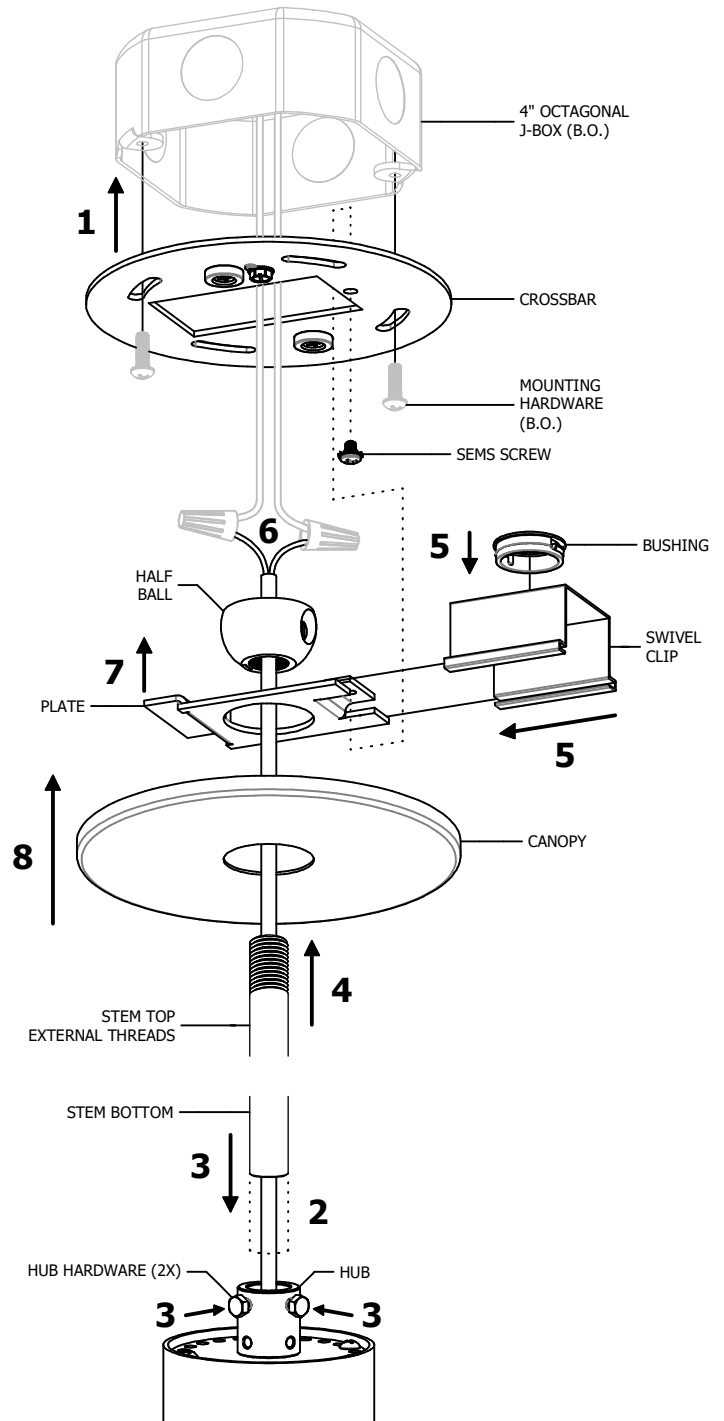
**689-20100**

PAGE 1 OF 1

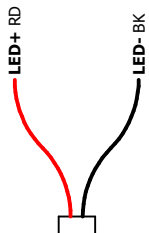
**WARNING - RISK OF FIRE AND ELECTRICAL SHOCK. FIXTURE MUST BE INSTALLED BY A QUALIFIED ELECTRICIAN ONLY. FIXTURE IS INTENDED FOR INSTALLATION IN ACCORDANCE WITH THE NATIONAL ELECTRICAL CODE, LOCAL AND FEDERAL SPECIFICATIONS. DISCONNECT POWER AT ELECTRICAL PANEL BEFORE SERVICING.**

**RETAIN THESE INSTRUCTIONS FOR MAINTENANCE REFERENCE.**

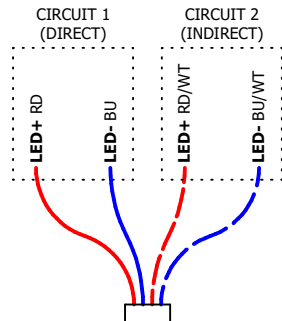
- 1** ATTACH CROSSBAR TO JUNCTION BOX (B.O.) WITH HARDWARE (B.O.)
- 2** IF NECESSARY, CUT BOTTOM OF STEM TO LENGTH. DO NOT CUT END WITH EXTERNAL THREADS.
- 3** FEED FIXTURE WIRES THROUGH STEM, THEN INSERT STEM INTO FIXTURE HUB & SECURE WITH HUB HARDWARE (2X)
- 4** SLIDE CANOPY AND PLATE OVER STEM, THEN THREAD STEM INTO HALF BALL AND SECURE WITH BALL SCREW
- 5** INSERT BUSHING INTO SWIVEL CLIP AND SLIDE CLIP ONTO PLATE, FEEDING FIXTURE WIRES THROUGH BUSHING
- 6** SPLICE FIXTURE WIRES TO INCOMING WIRES
- 7** LIFT PLATE UP THROUGH CROSSBAR HOLE, THEN SHIFT INTO PLACE AND SECURE PLATE TO CROSSBAR WITH SEMS SCREW
- 8** RAISE CANOPY TO MAGNETIC CROSSBAR



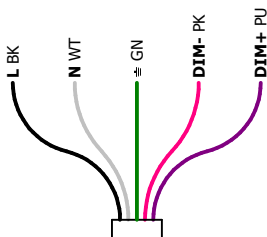
**2-WIRE**



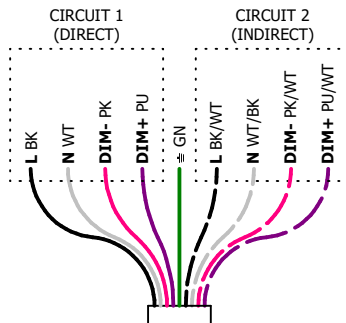
**4-WIRE**



**5-WIRE**



**9-WIRE**



**Amerlux, 178 Bauer Drive, Oakland, N.J. 07436, T: 973-882-5010, F: 973-882-2604 www.amerlux.com**