



1" Surface Mount Adjustable
with Remote Driver



Features

The FINCH family of cylinders with a 1" aperture, features exceptional output, flexibility, and a broad range of configurations to provide discreet quality illumination while integrating into the architecture. It is available in a fixed downlight, adjustable (with 50° tilt), wall mount and even exterior ground mount options. Whether installed on ceilings, walls/mullions or the ground, the FINCH family blends seamlessly into its surroundings.

The FINCH surface adjustable cylinder is available in lengths from 3" to 18", over a 1000 lm output and has a choice of beveled front door options for additional shielding. Maximum 50° tilt & 360° rotation for aiming flexibility. Use alone or in a composition to create a unique design.

Product Overview

- Type: Surface Mount, Adjustable
- Wattage: 6W, 8W, 10W, 12W
- Color Temp: 2400K, 2700K, 3000K, 3500K, 4000K
- ORI: 80+ & 90+ typ.
- Dimming: 0-10V, DALI, TRIAC/ELV, Lutron EcoSystem

PROJECT:

TYPE:

Performance Data

Watts	Lumens	LPW	CCT	ORI
6	643	102.1	3000K	80+
8	787	93.7	3000K	80+
10	927	88.3	3000K	80+
12	1065	83.9	3000K	80+

Data is based on flood optic, standard bevel, 3000K, 80+, 120V IES file available on website. Consult ordering information and data for other wattages & beam spreads.

Electrical Data

	6W		8W		10W		12W	
	Watts	Amps	Watts	Amps	Watts	Amps	Watts	Amps
120V	6.3	0.054	8.4	0.071	10.5	0.088	12.7	0.107
277V	6.7	0.034	8.6	0.038	10.7	0.044	12.8	0.051

Electronic constant current LED driver













PROJECT:

TYPE:

To Order, please specify both the light fixture and remote driver.

Fixture Example: FIN9-SMA.12.309.WF.BT.GLD.DB.RC.SOL Remote Driver Example: FINPW.12.0-10V.MP

STEP 1: 1" Surface Mount (with Remote Driver) Ordering Information

1	2	3	4	5	6	7	8	9
1 Model	2 Wattage	3 Color Temp and CRI	4 Beam Spreads	5 Body Finish	6 Bevel Finish	7 Door Style	8 Mounting	9 Accessories
FIN3-SMA 3" FIN6-SMA 6" FIN9-SMA 9" FIN12-SMA 12" FIN18-SMA 18"	6 6W (643 lm) 8 8W (787 lm) 10 10W (927 lm) 12 12W (1065 lm)	30 3000K, 80+ 35 3500K, 80+ 40 4000K, 80+ 249 2400K, 90+ 279 2700K, 90+ 309 3000K, 90+ 359 3500K, 90+ 409 4000K, 90+	SP spot 15° FL flood 28° WF wide flood 35° VWF very wide flood 50°	WT white texture  BT black texture  SLV matte silver  BRZ bronze  DBZ dark bronze  <i>For custom RAL finish, consult factory</i>	MW matte white MB matte black  SLV matte silver  BRZ bronze  DBZ dark bronze  GLD gold  <i>For custom RAL finish, consult factory. Omit from nomenclature when ordering direct GLOW door style.</i>	SB standard bevel (1/4" recess) DB deep bevel (5/8" recess) GLOW frosted glow lens (1/2" drop)	F flush mount C canopy (Ø5") RC reduced canopy (Ø3-1/2") CDC conduit canopy (Ø4-1/8")	SOL solite lens HEX hexocell louver LS linear spread lens

STEP 2: Remote Driver Ordering Information

Amerlux offers a mounting plate for each remote driver with accessories for mounting in enclosure by others, or a single remote box for one driver (RBX), or a single remote box that can fit two drivers (RBX2). Electrical Contractor (EC) is responsible for adherence to all local codes.

1	2	3	4
1 Model	2 Wattage	3 Drivers/Controls	4 Driver Enclosure
FINPW	6 6W (643 lm) 8 8W (787 lm) 10 10W (927 lm) 12 12W (1065 lm)	0-10V 0-10V dimming, 1%, 120/277VAC DALI DALI dimming, 1%, 120/277VAC LE/TE TRIAC/ELV dimming, 5%, 120/277VAC HILUME-H-ECO Lutron LDE1 Hi-lume® 1% Soft-On/ Fade-to-Black, 120/277VAC (10W min)	MP mounting plate (1 driver) RBX remote box (1 driver) RBX2 remote box (2 drivers) <i>Note: One wattage & dimming protocol per box.</i>

For enclosure drawings & wiring schematics, see pages 6-8.

PROJECT:

TYPE:

Specifications

Application

Retail, commercial and hospitality ambient/task lighting

Construction

Extruded aluminum precision machined body, door & heatsink

Optical

TIR optics
Beam Spreads: Spot 15°, Flood 28°, Wide Flood 35°,
Very Wide Flood 50°

LED

Color Temp: 2400K, 2700K, 3000K, 3500K, 4000K
CRI: 80+ & 90+ typ.
R9 Values: 11 (83 CRI), 55 (92 CRI)
Binning: 3 MacAdam (SDCM)
Life: 50,000+ hrs, > 70% of initial lumens at 50,000 hrs

Electrical

This product complies with IEEE C62.41 for surge endurance up to 2.5KV. Amerlux® recommends using additional surge protection with this unit (supplied by others), surge and over voltage damage is not covered under warranty.

Finish

Powder coat paint
Consult factory for custom finishes

Mounting

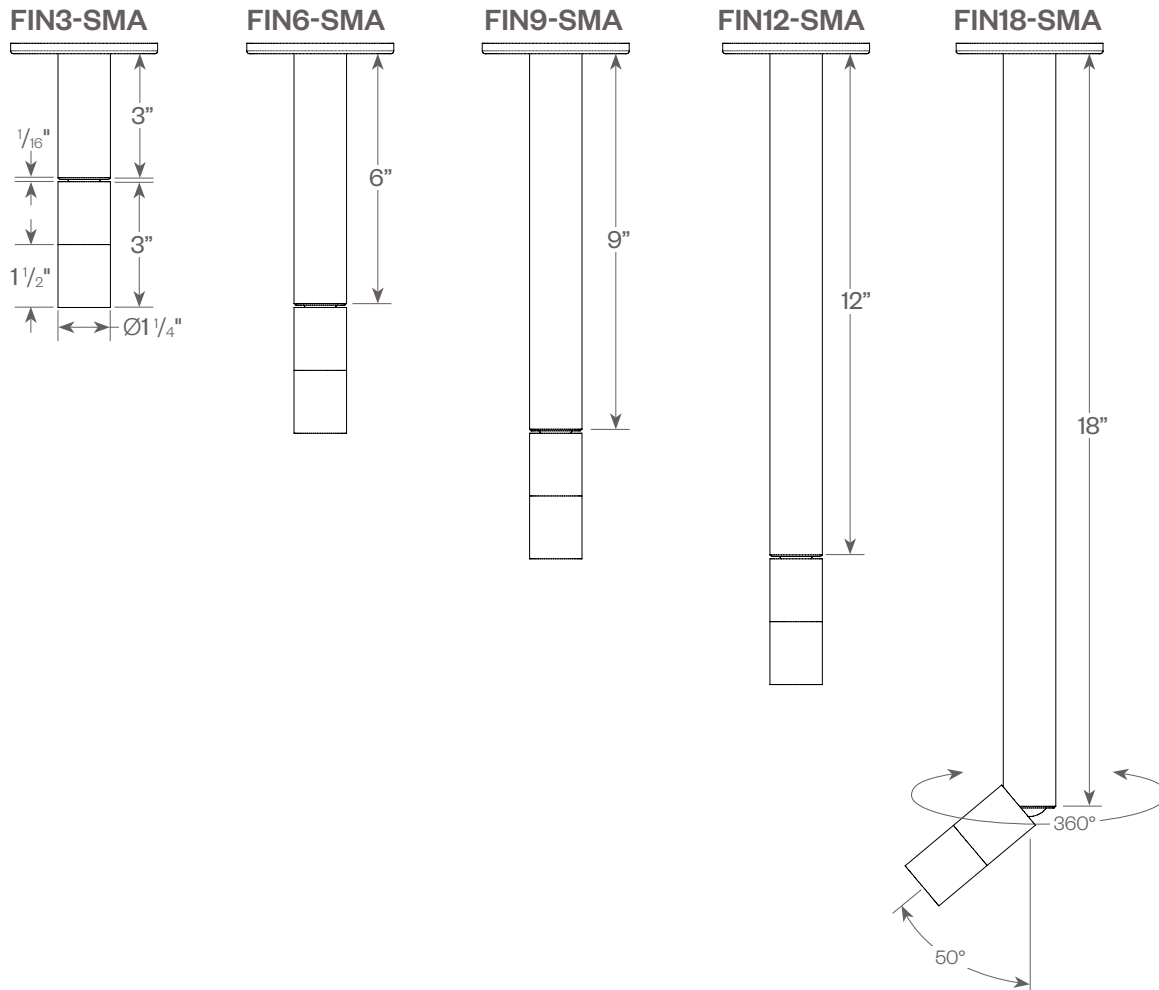
Surface mount

Certifications

CSA tested to UL standards
Indoor use only
Damp location

Warranty

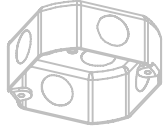
5 year limited warranty



PROJECT:

TYPE:

Junction Box Mounting Requirements

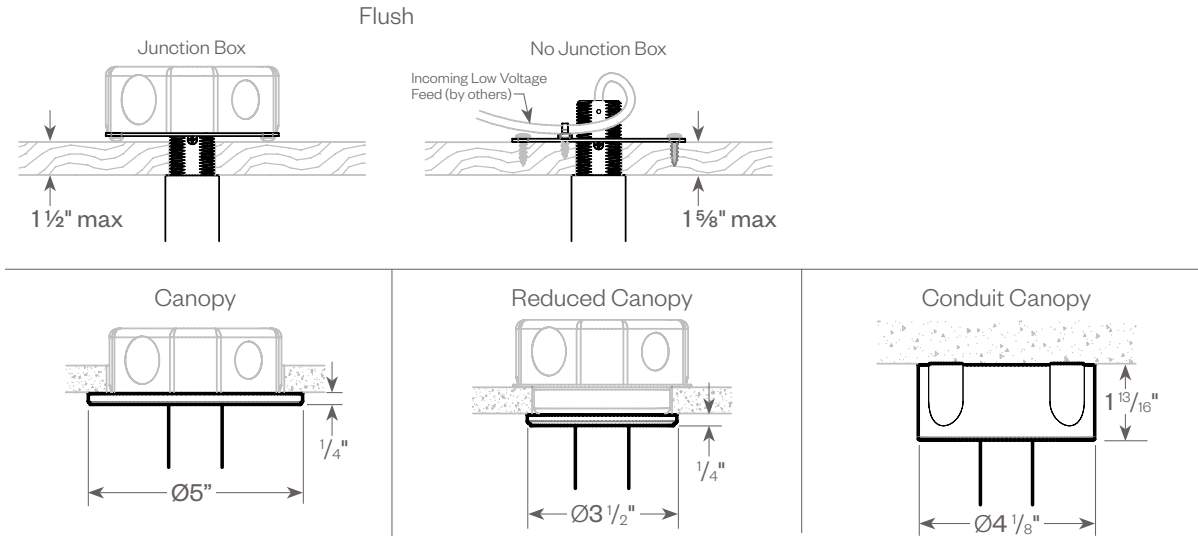


Canopy (C) & Conduit Canopy (CDC) Mounts
Require 4" Octagonal Junction Box (by others)

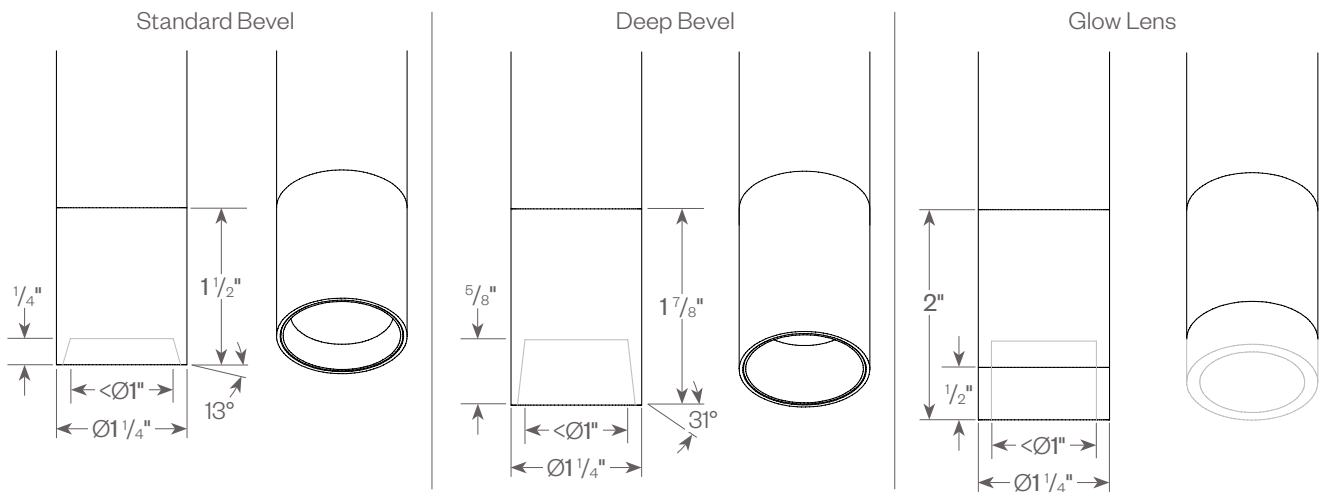


Reduced Canopy (RC) Mounts also
Require Raised Cover (by others) for
4" Octagonal Junction Box

Mounting Options



Door Styles



Finish Options

Powder coat paint. Consult factory for custom finishes.



PROJECT:

TYPE:

Performance Data

MULTIPLYING FACTORS:

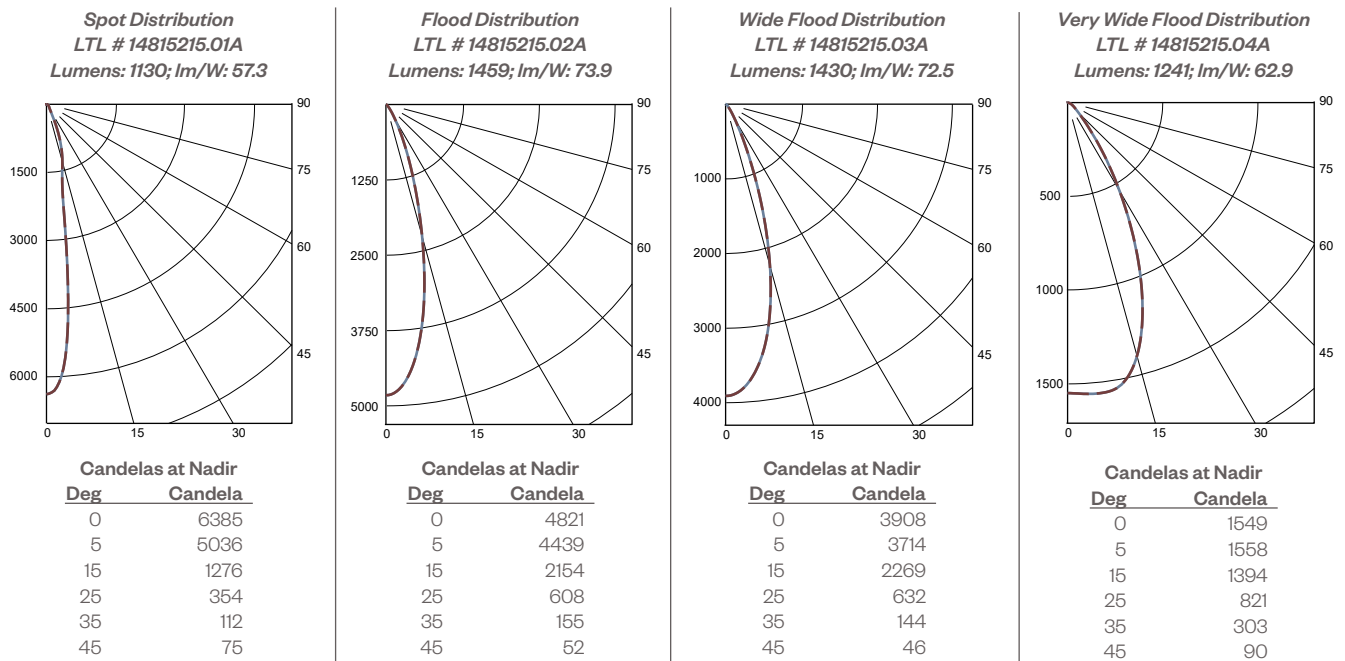
Wattage:	6W	8W	10W	12W	20W
Factor:	0.44	0.54	0.64	0.73	1.0

* Multiplying factors based on IES 20W tested fixture.
20W is not available for this fixture type.

CCT:	3000K, 80+	3500K, 80+	4000K, 80+	2400K, 90+	2700K, 90+	3000K, 90+	3500K, 90+	4000K, 90+
Factor:	1.0	1.04	1.06	0.76	0.83	0.88	0.92	0.93

Multiplying Factor is based on 3000K, 80+ 120V IES file on website.

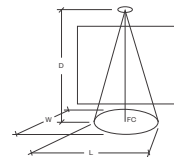
20W, Standard Bevel, 3000K, 80+



Application Data:

Notes and Definitions:

Beam spread is to 50% center beam candlepower (CBCP).
D=Distance to floor or wall.
FC=Footcandles on floor or wall at center beam aiming location.
L=Effective Visual Beam length in feet (50% of maximum footcandle level).
W=Effective Visual Beam width in feet (50% of maximum footcandle level).
CB=Distance across or down to center beam location.



Spot

0° Aiming Angle
Horizontal
Footcandles

D	FC	L	W
5.0'	158	1.9	1.9
7.5'	91	2.5	2.5
10.0'	57	3.0	3.0
12.5'	38	3.5	3.5

Flood

0° Aiming Angle
Horizontal
Footcandles

D	FC	L	W
5.0'	178	2.6	2.6
7.5'	85	3.6	3.6
10.0'	49	4.7	4.7
12.5'	31	5.8	5.8

Wide Flood

0° Aiming Angle
Horizontal
Footcandles

D	FC	L	W
5.0'	138	3.0	3.0
7.5'	66	4.3	4.3
10.0'	38	5.6	5.6
12.5'	25	7.0	7.0

Very Wide Flood

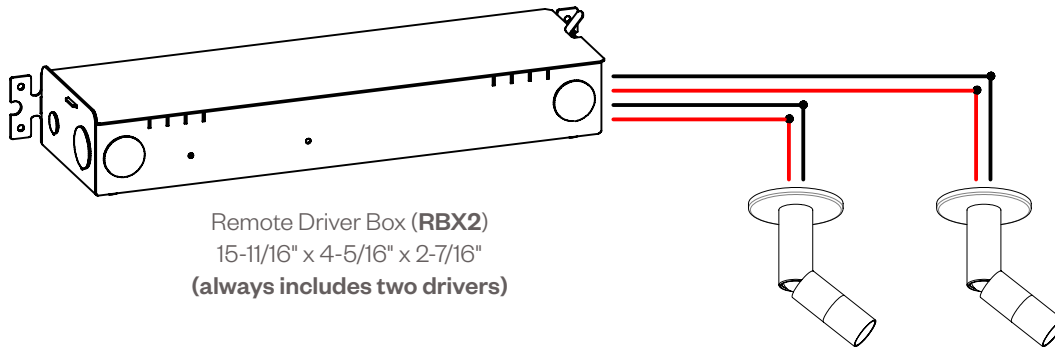
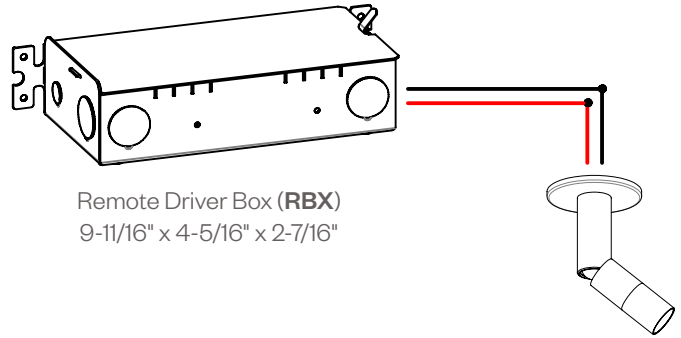
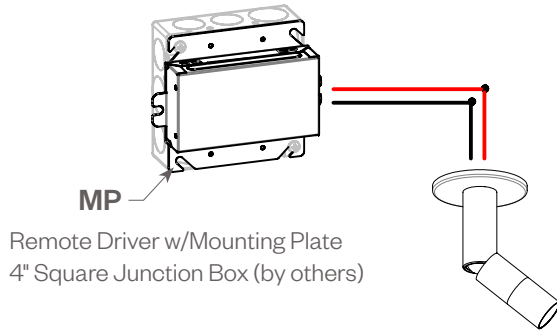
0° Aiming Angle
Horizontal
Footcandles

D	FC	L	W
5.0'	61	4.2	4.2
7.5'	27	6.3	6.3
10.0'	16	8.4	8.4
12.5'	10	10.6	10.6

PROJECT:

TYPE:

Power Supply Options for Remote Driver



Please see the example below when choosing the remote driver mounting or enclosure.

With 10 Finch Cylinders, (fixed, adjustable, Wall Direct or Indirect) would be: 10 FINPW-**MP**, or 10 FINPW-**RBX1**, or 5 FINPW-**RBX2**

PROJECT:

TYPE:

Dimming Compatibility

Amerlux[®] Finch fixtures are compatible with all major dimming protocols prevalent in the United States. Please see below for general compatibilities and wiring diagrams. Amerlux recommends testing your unique dimming configuration as the exact full configuration (Dimmer, Fixture Quantity, Voltage, etc) may affect dimming performance.

--- NOTE: INFORMATION BELOW IS FOR WIRED DIMMERS ONLY. FOR WIRELESS DIMMERS, CONSULT FACTORY ---

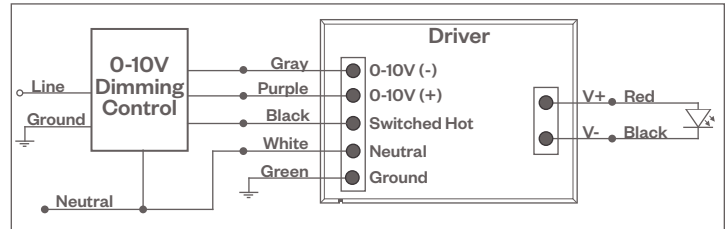
0-10V - DIMMING

Integrates into a variety of building management and daylighting controls

Notes:

- 120VAC or 277VAC
- Dims down to 1% light output
- Requires interface to turn off power to driver
- Consult Dimming manufacturer for installation instructions - DO NOT SHARE NEUTRALS!

0-10V Wiring Diagram



Compatible Dimmers*:

Wall Box	Central System
Lutron "Diva" - DVSTV Leviton Renoir II 0-10V	Lutron Grafik Eye with GRX-TVI Interface

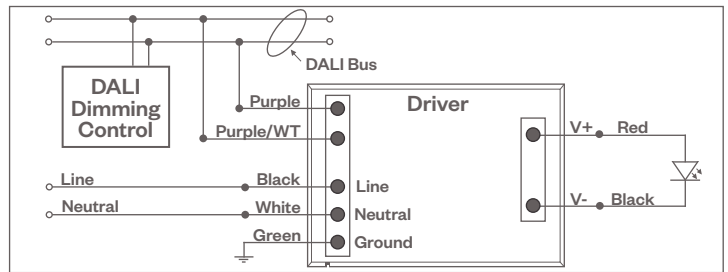
DALI DIMMING

Digital control protocol allows individual fixture control

Notes:

- 120VAC or 277VAC
- Dims down to 1% light output in most cases

DALI Wiring Diagram



Compatible Dimmers*:

Wall Box (3-Wire Fluorescent)	Central System
Leviton CD250 Controller	Dynalite Fifth Light

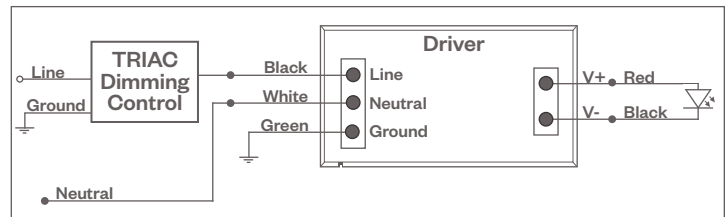
TRIAC (Forward Phase) DIMMING (Standard)

Utilizes standard TRIAC dimmers that are in wide use in installations across the US. Best for retrofit applications where TRIAC dimmers are installed.

Notes:

- 120VAC or 277VAC*
- Dims down to 5% light output (most cases)
- Consult Dimming manufacturer for installation instructions - DO NOT SHARE NEUTRALS!
- Must meet dimmer Minimum Load Requirements per dimming manufacturer

TRIAC Wiring Diagram



Compatible Dimmers*:

Wall Box (TRIAC 120VAC)	Central System
Lutron "Diva"	Lutron "GP" Panel
Lutron "Nova-T"	Lutron Grafik Eye QS
Lutron "Maestro"	
Lutron "Skylark"	

Notes:

- * Driver is 277VAC dimmable with appropriate dimmer (by others). All provided wiring diagrams show 120VAC wiring colors and method. Please refer to 277VAC dimmer manufacturer installation instructions for 277VAC wiring diagrams.
- † The absence of a dimmer from the lists above does not imply incompatibility. Please consult factory for compatibility inquiries.

PROJECT:

TYPE:

Dimming Compatibility (continued)

Amerlux® Finch fixtures are compatible with all major dimming protocols prevalent in the United States. Please see below for general compatibilities and wiring diagrams. Amerlux recommends testing your unique dimming configuration as the exact full configuration (Dimmer, Fixture Quantity, Voltage, etc) may affect dimming performance.

--- NOTE: INFORMATION BELOW IS FOR WIRED DIMMERS ONLY. FOR WIRELESS DIMMERS, CONSULT FACTORY ---

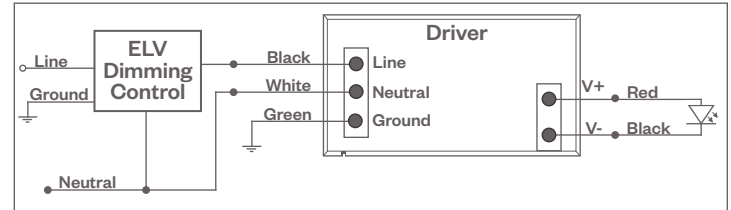
ELV - Electronic Low Voltage (Reverse Phase) DIMMING

Utilizes specialized "ELV" dimmers.

Notes:

- 120VAC or 277VAC*
- Dims down to 5% light output (most cases)
- Consult Dimming manufacturer for installation instructions - DO NOT SHARE NEUTRALS!
- Must meet dimmer Minimum Load Requirements

ELV Wiring Diagram



Compatible Dimmers†:

Wall Box (ELV 120VAC)	Wall Box (ELV 277VAC)	Central System
Lutron "Diva"	Leviton Revoir II AWSMT-E	Lutron "GP" Panel with PHPM-PA 120/277VAC
Lutron "Nova-T"		Lutron Grafik Eye QS with PHPM-PA 120/277VAC
Lutron "Maestro"		
Lutron "Skylark"		
Leviton "Surslide"		
Leviton "Vizio"		

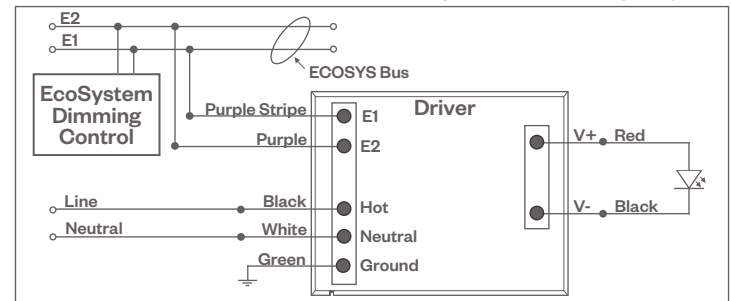
LUTRON LDE1 DIMMING

Integrates into Lutron EcoSystem building management

Notes:

- 120VAC or 277VAC*
- Dims down to 1% Soft-On/Fade-to-Black
- EcoSystem Control
- Consult Dimming manufacturer for installation instructions - DO NOT SHARE NEUTRALS!

Lutron LDE1 (HILUME-H-ECO) EcoSystem Digital Control Wiring Diagram



Compatible Dimmers†:

Lutron ECO System	Central System
Pow Pak Dimming Modules	Lutron EcoSystem compatible controls
Energi Savr Node	
Grafik Eye QS/Homeworks	
QS Control Unit	
Quantum Hub	
Homeworks QS/My Room	

Notes:

- * Driver is 277VAC dimmable with appropriate dimmer (by others). All provided wiring diagrams show 120VAC wiring colors and method. Please refer to 277VAC dimmer manufacturer installation instructions for 277VAC wiring diagrams.
- † The absence of a dimmer from the lists above does not imply incompatibility. Please consult factory for compatibility inquiries.