

PROJECT:

TYPE:

Features

The FINCH family of cylinders with a 1" aperture, features exceptional output, flexibility, and a broad range of configurations to provide discreet quality illumination while integrating into the architecture. It is available in a fixed downlight, adjustable (*with 50° tilt*), wall mount and even exterior ground mount options. Whether installed on ceilings, walls/mullions or the ground, the FINCH family blends seamlessly into its surroundings.

The FINCH surface adjustable cylinder is available in lengths from 6" to 18," over a 1000 lm output and has a choice of beveled front door options for additional shielding. Maximum 50° tilt & 360° rotation for aiming flexibility. Use alone or in a composition to create a unique design.

Product Overview

Type: Surface Mount, Adjustable
 Wattage: 6W, 8W, 10W, 12W, 15W, 17W, 20W
 Color Temp: 2400K, 2700K, 3000K, 3500K, 4000K
 CRI: 80+ or 90+ typ.
 Dimming: 0-10V, DALI, TRIAC/ELV, Hi-lume®



Certifications



Fixture Summary

Performance Data

Watts	Delivered Lumens	LPW	Color Temp	CRI
6	643	102.1	3000K	80+
8	787	93.7	3000K	80+
10	927	88.3	3000K	80+
12	1065	83.9	3000K	80+

Data is based on flood optic, standard bevel, 3000K, 80+ 120V IES file available on website.
 Consult ordering information and data for other wattages & beam spreads.

Electrical Data












Voltage	6W		8W		10W		12W	
	System Watts	Amps	System Watts	Amps	System Watts	Amps	System Watts	Amps
120V	6.3	0.054	8.4	0.071	10.5	0.088	12.7	0.107
277V	6.7	0.034	8.6	0.038	10.7	0.044	12.8	0.051

Electronic constant current LED driver.

PROJECT:

TYPE:

STEP 1: 1" Surface Mount (with 48V Constant Voltage Integral Driver) Ordering Information

1	2	3	4	5	6	7	8	9
1 Model	2 Wattage	3 Color Temp and CRI	4 Beam Spread	5 Body Finish	6 Bevel Finish	7 Door Style	8 Mounting	
FIN6-SMA 6" FIN9-SMA 9" FIN12-SMA 12" FIN18-SMA 18"	6 6W (643 lm) 8 8W (787 lm) 10 10W (927 lm) 12 12W (1065 lm)	30 3000K, 80+ 35 3500K, 80+ 40 4000K, 80+ 249 2400K, 90+ 279 2700K, 90+ 309 3000K, 90+ 359 3500K, 90+ 409 4000K, 90+	SP spot, 15° FL flood, 28° WF wide flood, 35° VWF very wide flood, 50°	WT white texture  BT black texture  SLV matte silver  BRZ bronze  DBZ dark bronze  <i>For custom RAL finish, consult factory</i>	MW matte white  MB matte black  SLV matte silver  BRZ bronze  DBZ dark bronze  GLD gold  <i>For custom RAL finish, consult factory. Omit from nomenclature when ordering GLOW door style.</i>	SB standard bevel (1/4" recess) DB deep bevel (5/8" recess) GLOW frosted glow lens (1/2" drop)	F flush mount C canopy (Ø5") RC reduced canopy (Ø3-1/2") CDC conduit canopy (Ø4-1/8")	
9 Drivers/Controls		10 Options/Accessories						
O-10V 0-10V dimming, 1% dim DALI DALI dimming, 1% dim		SOL solite beam softening lens HEX hexcell louver LS linear spread lens						

STEP 2: Transformer Ordering Information (to power integral driver)

Amerlux offers 100W 48V DC constant current transformers with enclosure.

TR-48V100W

1

1 Model
TR-48V100W 100W, 48V transformer with enclosure, 120/277V input

For enclosure drawing & driver wiring schematics, see pages 6-7.

PROJECT:

TYPE:

Specifications

Application

Retail, commercial and hospitality ambient/task lighting

Construction

Extruded aluminum precision machined body, door & heatsink

Optical

TIR optics

Beam Spreads: Spot 15°, Flood 28°, Wide Flood 35°,
Very Wide Flood 50°

Linear Spread Lens (LS) recommended for use with Spot beam
spread for maximum linear effect.

LED

Color Temp: 2400K, 2700K, 3000K, 3500K, 4000K

CRI: 80+ & 90+ typ.

R9 Values: 11 (83 CRI), 55 (92 CRI)

Binning: 3 MacAdam (SDCM)

Life: 50,000+ hrs, > 70% of initial lumens at 50,000 hrs

Electrical

This product complies with IEEE C62.41 for surge endurance up to 2.5KV. Amerlux® recommends using additional surge protection with this unit (supplied by others), surge and over voltage damage is not covered under warranty.

Finish

Powder coat paint

Consult factory for custom finishes

Mounting

Surface mount

Certifications

CSA tested to UL standards

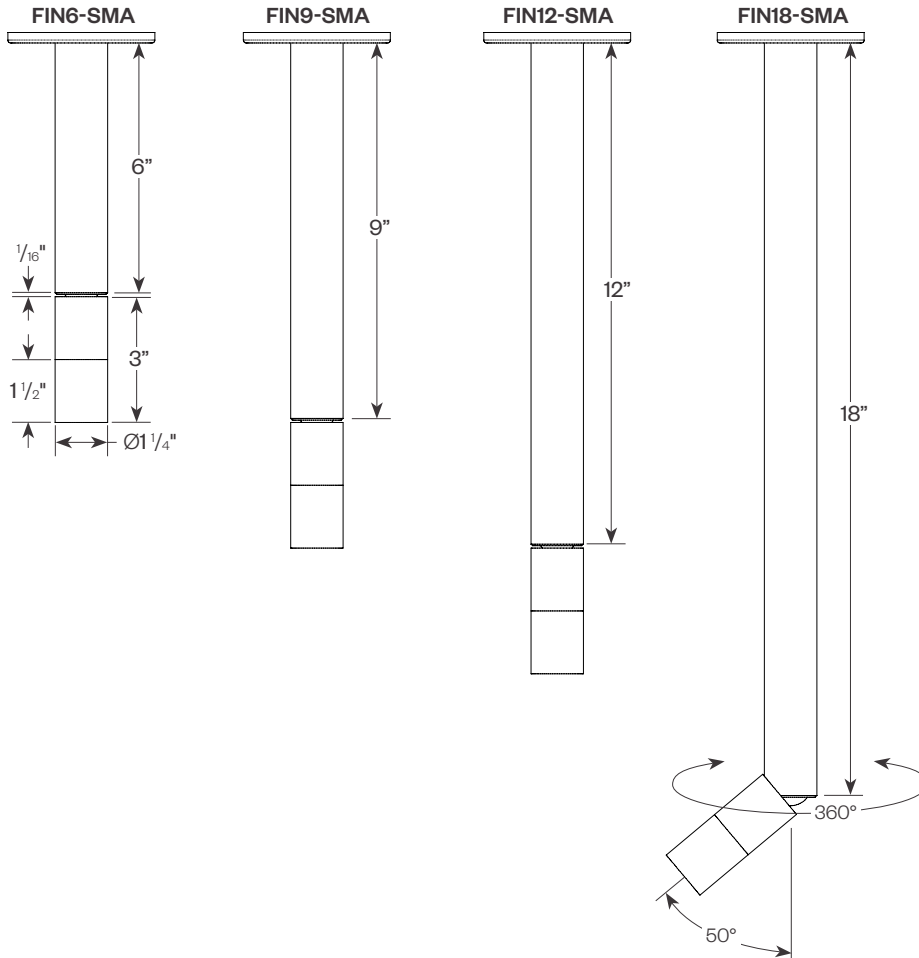
Indoor use only

Damp location

Warranty

5 year limited warranty

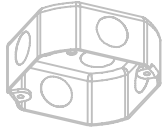
Product Details



PROJECT:

TYPE:

Junction Box Mounting Requirements



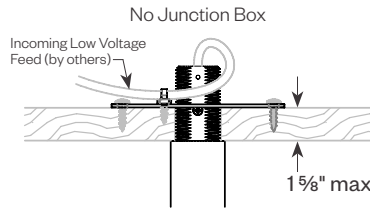
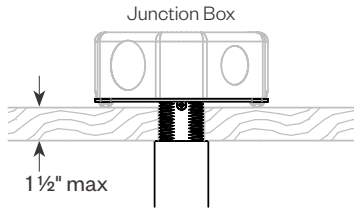
All Mounts Require 4" Octagonal
Junction Box (*by others*)



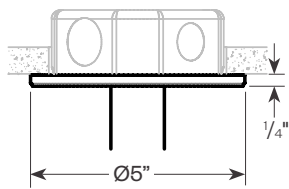
Reduced Canopy (**RC**) Mounts also
Require Raised Cover (*by others*) for
4" Octagonal Junction Box

Mounting Options

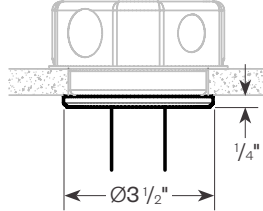
Flush



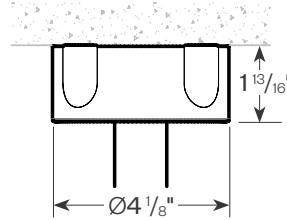
Canopy



Reduced Canopy

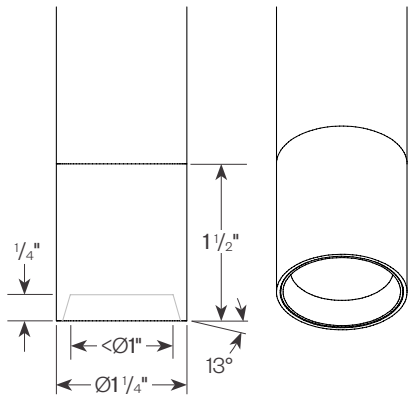


Conduit Canopy

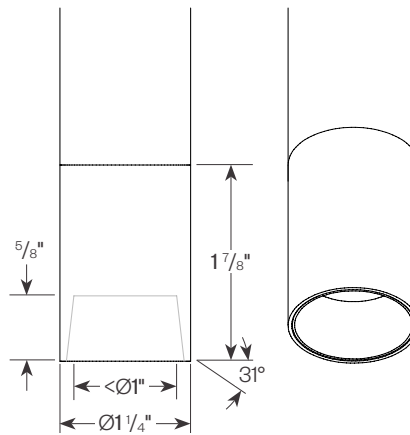


Door Styles

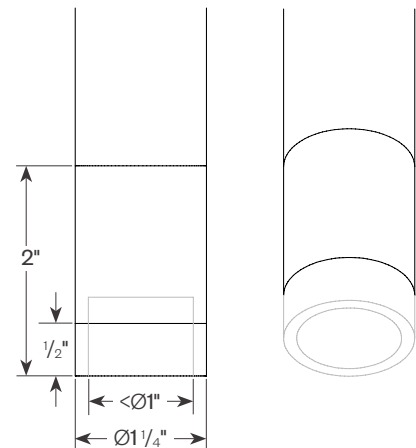
Standard Bevel



Deep Bevel



Glow Lens



Finish Options

Powder coat paint. Consult factory for custom finishes.



Matte Black



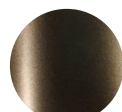
Matte White



Matte Silver



Bronze



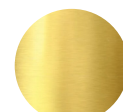
Dark Bronze



White Texture



Black Texture



Gold

Available for
Bevel Finish only

PROJECT:

TYPE:

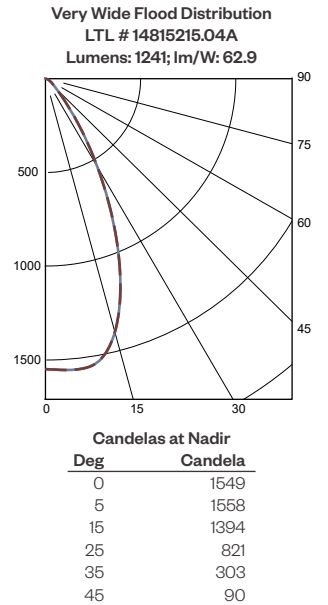
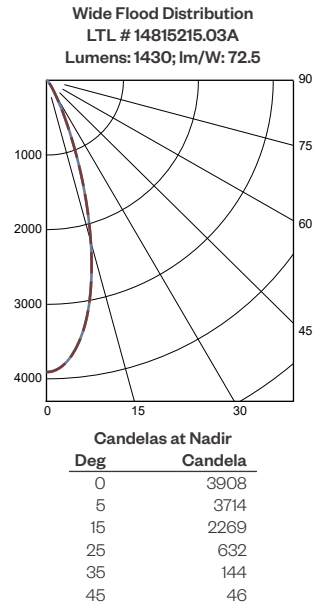
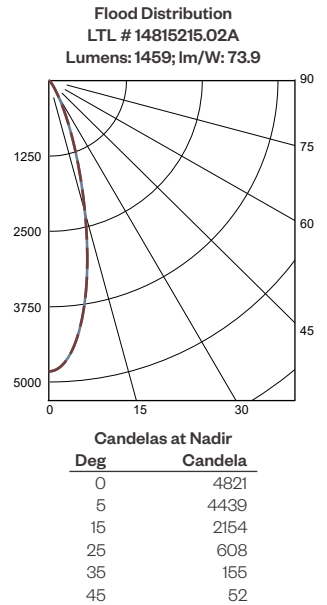
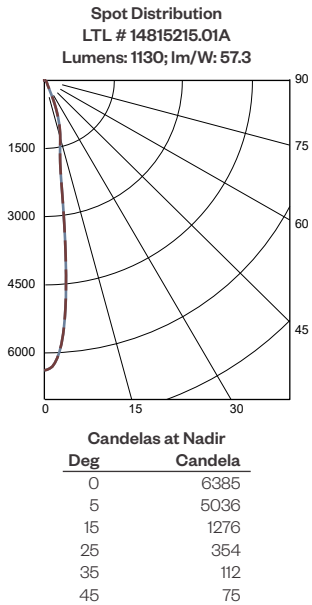
Performance Data

Multiplying Factors: (Multiplying Factor is based on 3000K, 80+, 120V IES file on website)

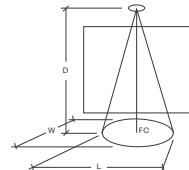
Wattage:	6W	8W	10W	12W	15W	17W	20W
Factor:	0.44	0.54	0.64	0.73	0.82	0.91	1.0

CCT:	3000K, 80+	3500K, 80+	4000K, 80+	2400K, 90+	2700K, 90+	3000K, 90+	3500K, 90+	4000K, 90+
Factor:	1.0	1.04	1.06	0.76	0.83	0.88	0.92	0.93

20W, Standard Bevel, 3000K, 80+



Application Data



Notes and Definitions:

- Beam spread is to 50% center beam candlepower (CBCP).
- D**=Distance to floor or wall.
- FC**=Footcandles on floor or wall at center beam aiming location.
- L**=Effective Visual Beam length in feet (50% of maximum footcandle level).
- W**=Effective Visual Beam width in feet (50% of maximum footcandle level).

Spot

0° Aiming Angle
Horizontal
Footcandles

D	FC	L	W
5.0'	158	1.9	1.9
7.5'	91	2.5	2.5
10.0'	57	3.0	3.0
12.5'	38	3.5	3.5

Flood

0° Aiming Angle
Horizontal
Footcandles

D	FC	L	W
5.0'	178	2.6	2.6
7.5'	85	3.6	3.6
10.0'	49	4.7	4.7
12.5'	31	5.8	5.8

Wide Flood

0° Aiming Angle
Horizontal
Footcandles

D	FC	L	W
5.0'	138	3.0	3.0
7.5'	66	4.3	4.3
10.0'	38	5.6	5.6
12.5'	25	7.0	7.0

Very Wide Flood

0° Aiming Angle
Horizontal
Footcandles

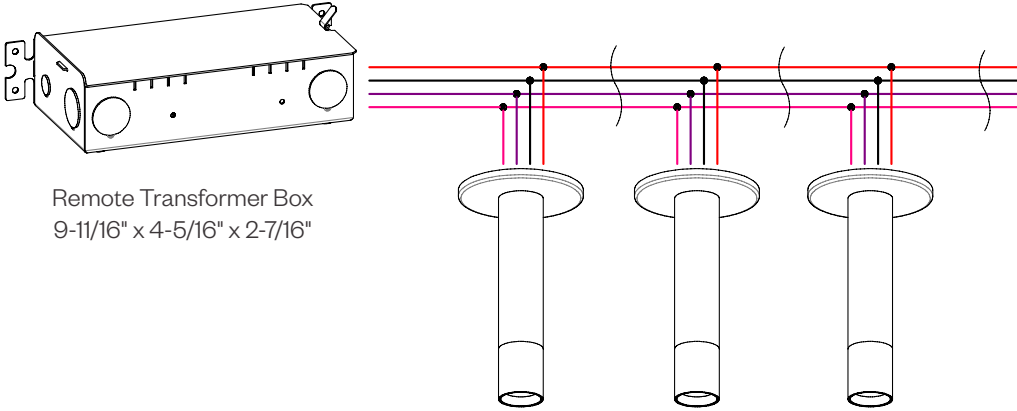
D	FC	L	W
5.0'	61	4.2	4.2
7.5'	27	6.3	6.3
10.0'	16	8.4	8.4
12.5'	10	10.6	10.6

PROJECT:

TYPE:

Power Supply Option for Integral Driver

TR-48V100W 100W, 48V transformer with enclosure, 120/277V input



Remote Transformer Box
9-11/16" x 4-5/16" x 2-7/16"

PROJECT:

TYPE:

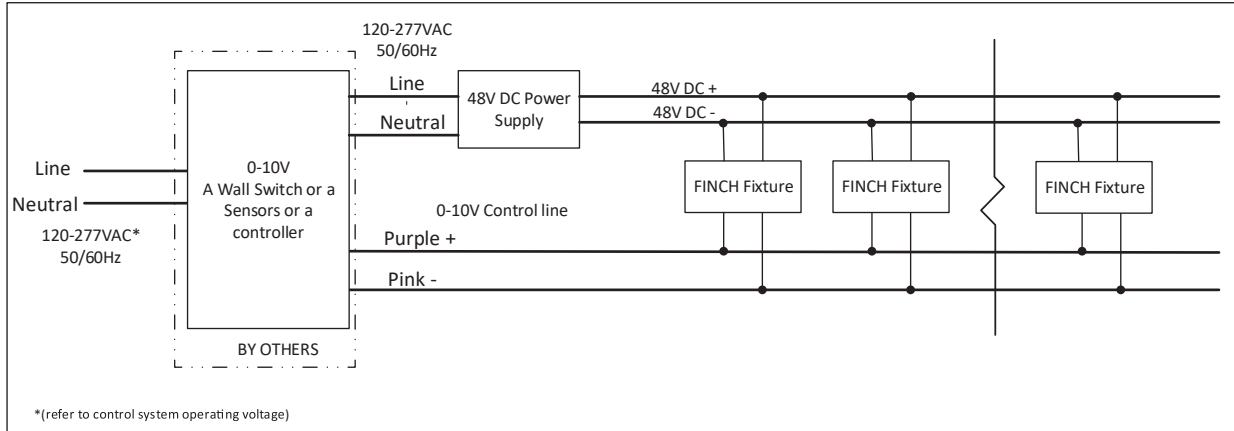
Dimming Compatibility

Amerlux® Finch fixtures are compatible with all major dimming protocols prevalent in the United States. Please see below for general compatibilities and wiring diagrams. Amerlux recommends testing your unique dimming configuration as the exact full configuration (*Dimmer, Fixture Quantity, Voltage, etc*) may affect dimming performance.

--- **NOTE: INFORMATION BELOW IS FOR WIRED DIMMERS ONLY. FOR WIRELESS DIMMERS, CONSULT FACTORY ---**

0-10V DIMMING Integrates into a variety of building management and daylighting controls

0-10V Wiring Diagram



Compatible Dimmers*:

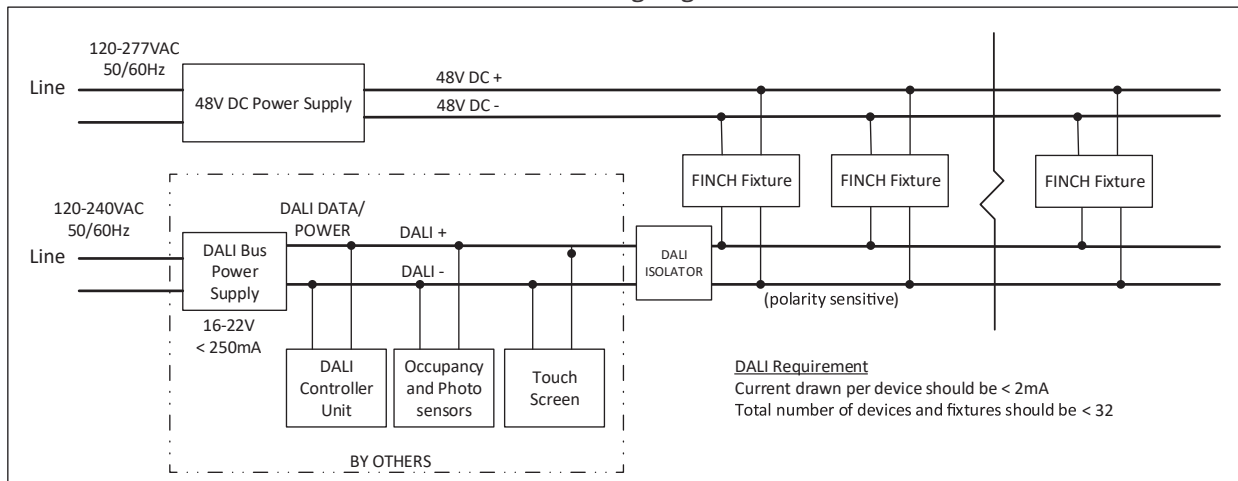
Wall Box	Central System
Lutron "Diva" - DVSTV	Lutron Grafik Eye with GRX-TVI Interface
Leviton Renoir II 0-10V	

Notes:

- Dims down to 1% light output
- Consult Dimming manufacturer for the operation and installation instructions **DO NOT SHARE NEUTRALS!**

DALI DIMMING Digital control protocol allows individual fixture control

DALI Wiring Diagram



Suggested Switches for Wired Connections:

Manufacturer	Model	Description
Loytec DALI PSU	L-DALI-PWR2-U	DALI Bus Power Supply, 85-240VAC input, 2 channel DALI PSU, 116mA per channel
Loytec Controller	L-DALI-ME204-U	DALI Controller, 4 channel DALI
Loytec Controller	L-DALI-ME201-U	DALI Controller, 1 DALI channel with integrated DALI power supply
B.E.G	PP-DALI-PS	DALI Bus Power Supply, 120-277VAC input, 100mA bus power