

INSTRUCTION SHEET



ROOK/FINCH MINI CANOPY MOUNT, CORD SUSPENSION (MC.C)

689-20130

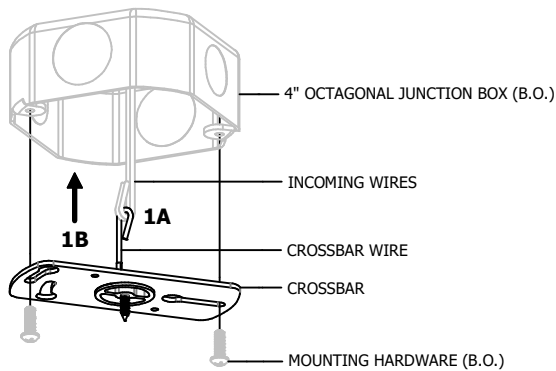
PAGE 1 OF 1

WARNING - RISK OF FIRE AND ELECTRICAL SHOCK. FIXTURE MUST BE INSTALLED BY A QUALIFIED ELECTRICIAN ONLY. FIXTURE IS INTENDED FOR INSTALLATION IN ACCORDANCE WITH THE NATIONAL ELECTRICAL CODE, LOCAL AND FEDERAL SPECIFICATIONS. DISCONNECT POWER AT ELECTRICAL PANEL BEFORE SERVICING.

RETAIN THESE INSTRUCTIONS FOR MAINTENANCE REFERENCE.

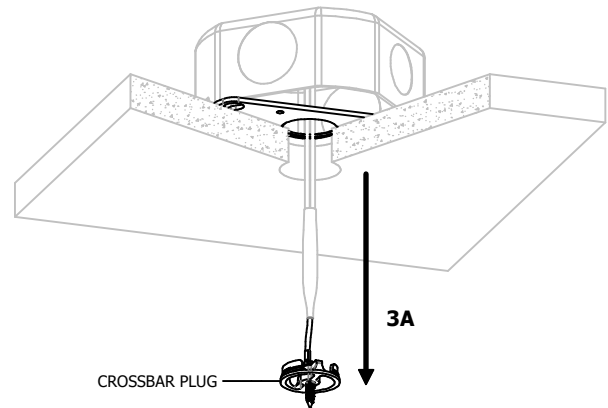
1 BEFORE CEILING INSTALL

- A** HOOK INCOMING LOW VOLTAGE WIRES TO CROSSBAR WIRE THEN SECURE WITH ELECTRICAL TAPE (B.O.). INCOMING WIRES WILL BE FISHED THROUGH CEILING HOLE IN STEP 3A.
- B** ATTACH CROSSBAR ASSEMBLY TO J-BOX WITH HARDWARE (B.O.)



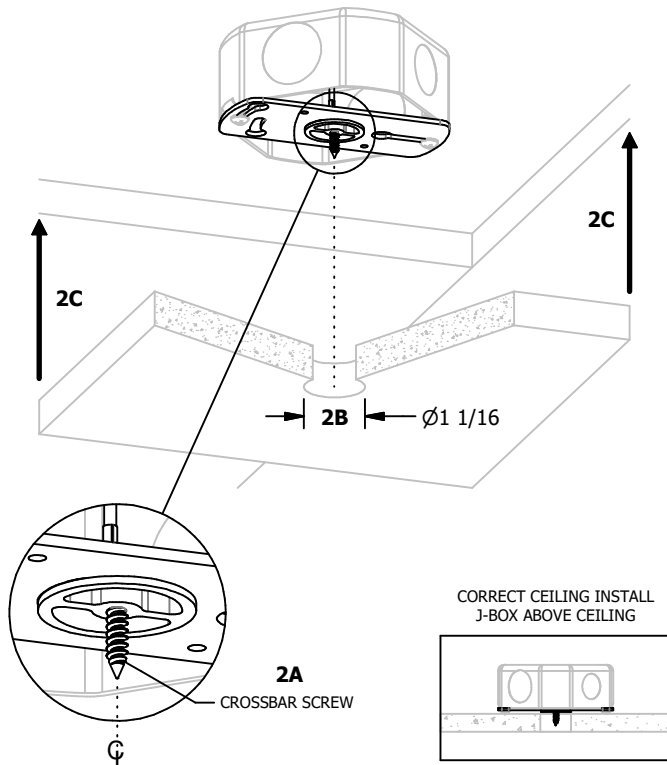
3 AFTER CEILING INSTALL

- A** REMOVE CROSSBAR PLUG, BRINGING INCOMING WIRES DOWN THROUGH CEILING HOLE, THEN DISCARD CROSSBAR PLUG

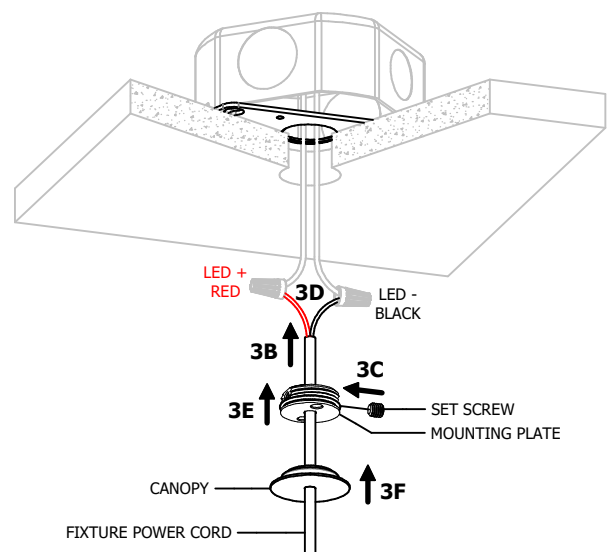


2 CEILING INSTALL

- A** USE CROSSBAR SCREW TO LOCATE/INDICATE HOLE CENTER
- B** USE A Ø1-1/16 HOLE SAW TO DRILL A Ø1-1/16 HOLE IN CEILING
- C** INSTALL CEILING



- B** FEED FIXTURE POWER CORD THROUGH CANOPY & MOUNTING PLATE
- C** ADJUST SUSPENSION HEIGHT THEN TIGHTEN SET SCREW. CUT AND STRIP WIRES AS NEEDED, ENSURING I.D. LABELS REMAIN ATTACHED
- D** SPLICE FIXTURE WIRES TO INCOMING WIRES, THEN FEED CONNECTIONS UP THROUGH CROSSBAR
- E** THREAD MOUNTING PLATE INTO CROSSBAR. NEEDLE NOSE PLIERS ARE RECOMMENDED.
- F** RAISE CANOPY TO CEILING

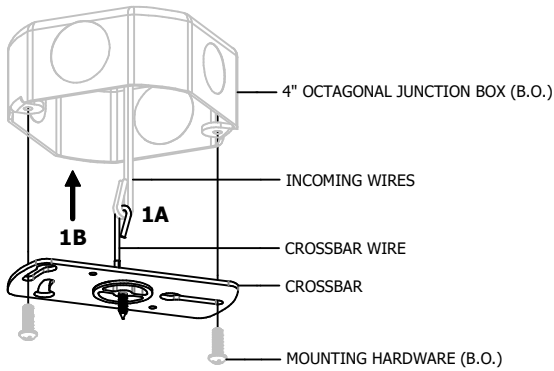


Amerlux, 178 Bauer Drive, Oakland, N.J. 07436, T: 973-882-5010, F: 973-882-2604 www.amerlux.com

WARNING - RISK OF FIRE AND ELECTRICAL SHOCK. FIXTURE MUST BE INSTALLED BY A QUALIFIED ELECTRICIAN ONLY. FIXTURE IS INTENDED FOR INSTALLATION IN ACCORDANCE WITH THE NATIONAL ELECTRICAL CODE, LOCAL AND FEDERAL SPECIFICATIONS. DISCONNECT POWER AT ELECTRICAL PANEL BEFORE SERVICING. RETAIN THESE INSTRUCTIONS FOR MAINTENANCE REFERENCE.

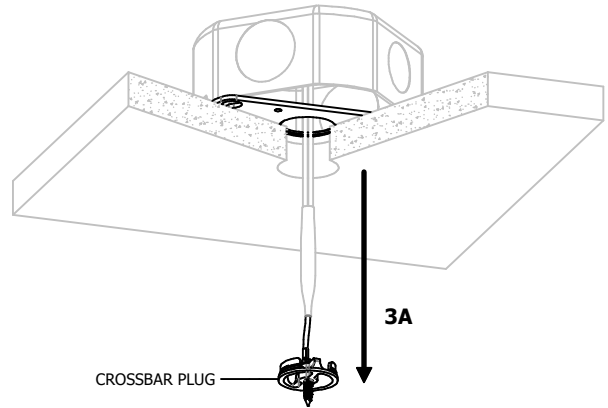
1 BEFORE CEILING INSTALL

- A** HOOK INCOMING LOW VOLTAGE WIRES TO CROSSBAR WIRE THEN SECURE WITH ELECTRICAL TAPE (B.O.). INCOMING WIRES WILL BE FISHED THROUGH CEILING HOLE IN STEP 3A.
- B** ATTACH CROSSBAR ASSEMBLY TO J-BOX WITH HARDWARE (B.O.)



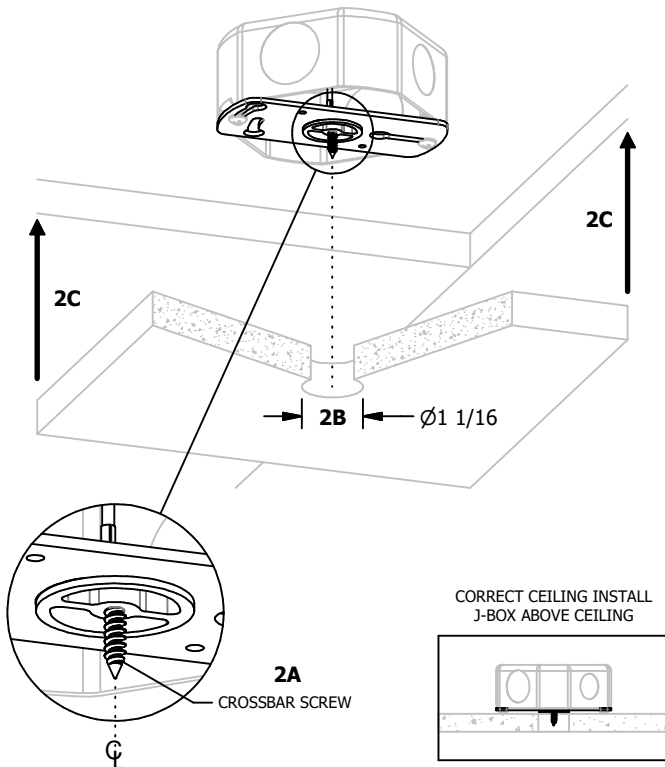
3 AFTER CEILING INSTALL

- A** REMOVE CROSSBAR PLUG, BRINGING INCOMING WIRES DOWN THROUGH CEILING HOLE, THEN DISCARD CROSSBAR PLUG



2 CEILING INSTALL

- A** USE CROSSBAR SCREW TO LOCATE/INDICATE HOLE CENTER
- B** USE A Ø1-1/16 HOLE SAW TO DRILL A Ø1-1/16 HOLE IN CEILING
- C** INSTALL CEILING



- B** IF NECESSARY, CUT STEM TO DESIRED LENGTH THEN DRILL A Ø1/8 THRU HOLE 1/4" FROM CUT END
- C** FEED FIXTURE WIRES THROUGH STEM THEN FULLY THREAD FIXTURE AND STEM TOGETHER
- D** FEED FIXTURE WIRES THROUGH CANOPY AND MOUNTING PLATE. CUT & STRIP WIRES AS NEEDED, ENSURING I.D. LABELS REMAIN ATTACHED
- E** ALIGN STEM HOLES TO MOUNTING PLATE SET SCREWS, THEN FULLY TIGHTEN SET SCREWS, SECURING STEM
- F** SPLICE FIXTURE WIRES TO INCOMING WIRES, THEN FEED CONNECTIONS UP THROUGH CROSSBAR
- G** THREAD MOUNTING PLATE INTO CROSSBAR. NEEDLE NOSE PLIERS ARE RECOMMENDED.
- H** RAISE CANOPY TO CEILING

