

INSTRUCTION SHEET



ROOK/FINCH POWER CANOPY MOUNT, CORD SUSPENSION (PC.C)

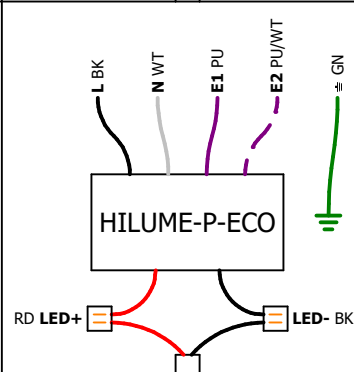
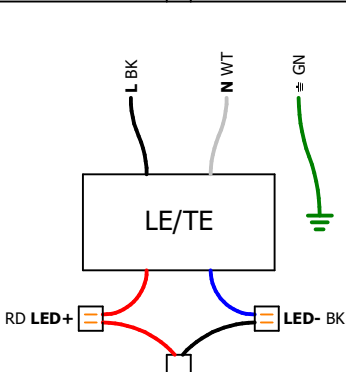
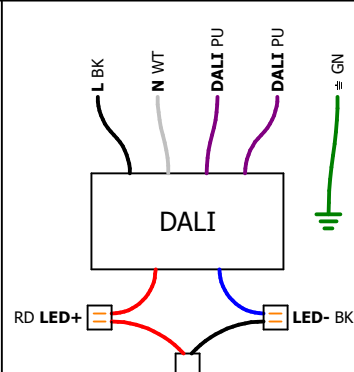
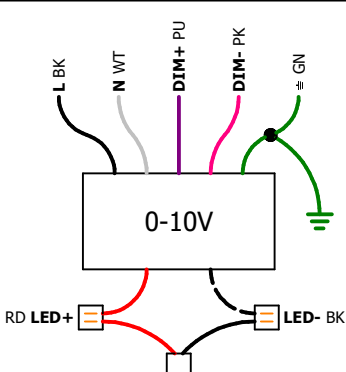
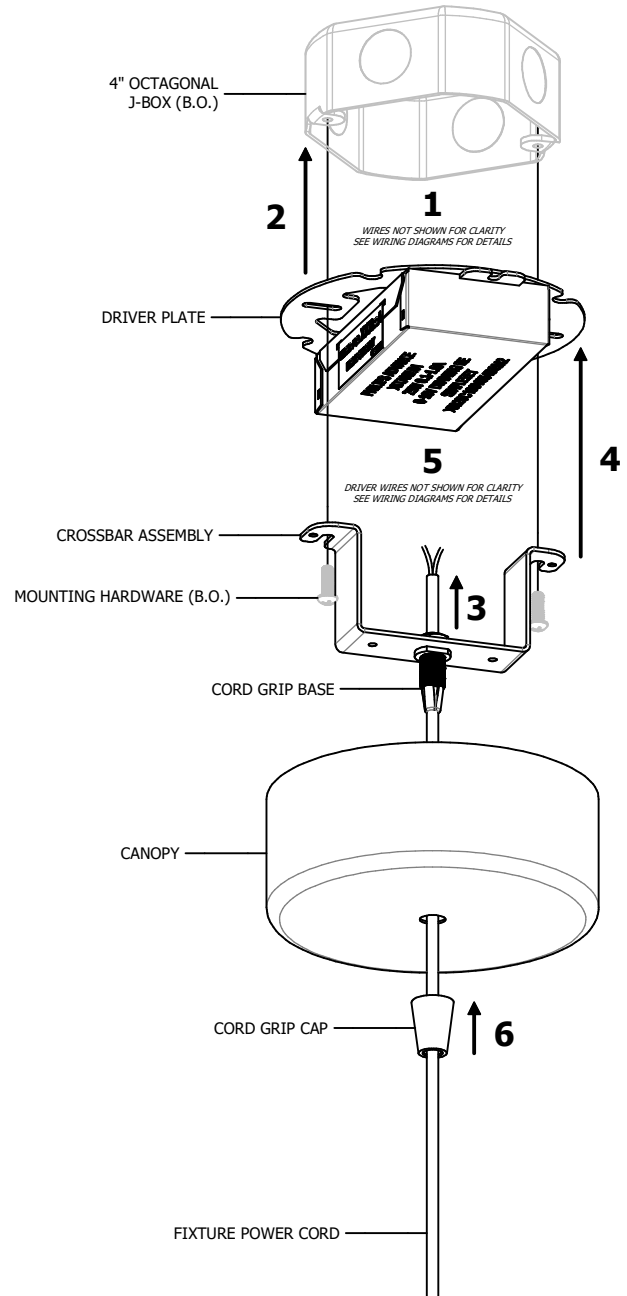
689-20132

PAGE 1 OF 1

WARNING - RISK OF FIRE AND ELECTRICAL SHOCK. FIXTURE MUST BE INSTALLED BY A QUALIFIED ELECTRICIAN ONLY. FIXTURE IS INTENDED FOR INSTALLATION IN ACCORDANCE WITH THE NATIONAL ELECTRICAL CODE, LOCAL AND FEDERAL SPECIFICATIONS. DISCONNECT POWER AT ELECTRICAL PANEL BEFORE SERVICING.

RETAIN THESE INSTRUCTIONS FOR MAINTENANCE REFERENCE.

- 1** SPLICE INCOMING WIRES TO DRIVER INPUT WIRES ACCORDING TO LOCAL AND NATIONAL CODE
- 2** ATTACH DRIVER PLATE TO JUNCTION BOX (B.O.) WITH MOUNTING HARDWARE (B.O.). DO NOT FULLY TIGHTEN HARDWARE.
- 3** FEED FIXTURE POWER CORD THROUGH CORD GRIP CAP, THEN CANOPY, THEN CORD GRIP BASE, ADJUSTING SUSPENSION HEIGHT. CUT AND STRIP EXCESS POWER CORD AS NEEDED.
- 4** ATTACH CROSSBAR ASSEMBLY TO DRIVER PLATE AND MOUNTING HARDWARE, THEN FULLY TIGHTEN MOUNTING HARDWARE
- 5** SPLICE FIXTURE POWER CORD WIRES TO DRIVER OUTPUT WIRES WITH SUPPLIED LEVER CONNECTORS
- 6** FULLY THREAD CORD GRIP CAP ONTO CORD GRIP BASE, SECURING CANOPY



Amerlux, 178 Bauer Drive, Oakland, N.J. 07436, T: 973-882-5010, F: 973-882-2604 www.amerlux.com

INSTRUCTION SHEET



ROOK/FINCH POWER CANOPY MOUNT, TOP END FIELD CUTTABLE RIGID STEM SUSPENSION (PC.RS)

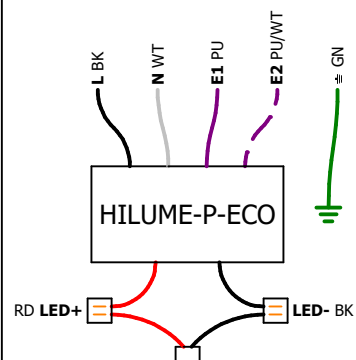
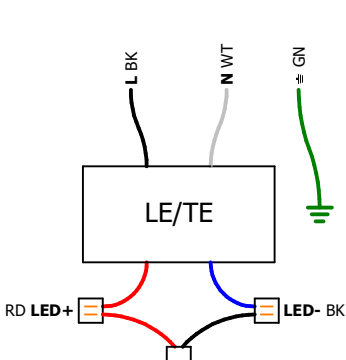
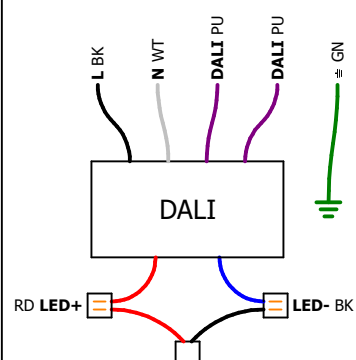
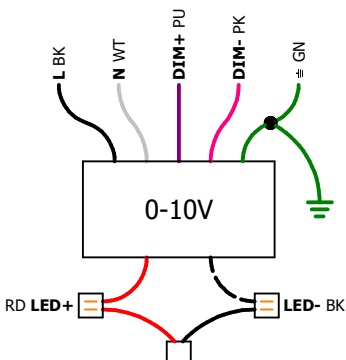
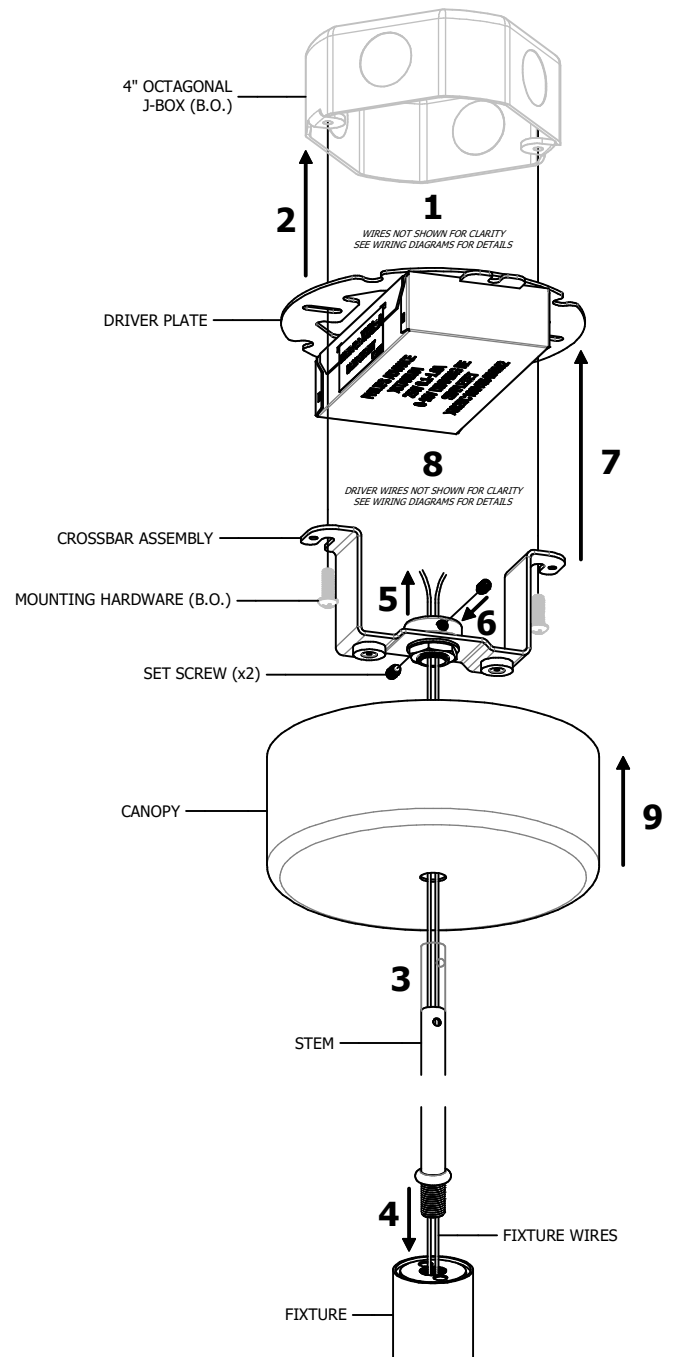
689-20133

PAGE 1 OF 1

WARNING - RISK OF FIRE AND ELECTRICAL SHOCK. FIXTURE MUST BE INSTALLED BY A QUALIFIED ELECTRICIAN ONLY. FIXTURE IS INTENDED FOR INSTALLATION IN ACCORDANCE WITH THE NATIONAL ELECTRICAL CODE, LOCAL AND FEDERAL SPECIFICATIONS. DISCONNECT POWER AT ELECTRICAL PANEL BEFORE SERVICING.

RETAIN THESE INSTRUCTIONS FOR MAINTENANCE REFERENCE.

- 1** SPLICE INCOMING WIRES TO DRIVER INPUT WIRES ACCORDING TO LOCAL AND NATIONAL CODE
- 2** ATTACH DRIVER PLATE TO JUNCTION BOX (B.O.) WITH MOUNTING HARDWARE (B.O.). DO NOT FULLY TIGHTEN HARDWARE.
- 3** IF NECESSARY, CUT TOP OF STEM TO DESIRED LENGTH, THEN DRILL A $\varnothing 1/8$ HOLE THROUGH STEM WALLS, LOCATED 1/4" FROM STEM END
- 4** FEED FIXTURE WIRES THROUGH STEM, THEN FULLY THREAD FIXTURE AND STEM TOGETHER
- 5** SLIDE CANOPY OVER STEM, THEN FEED FIXTURE WIRES THROUGH CROSSBAR HUB
- 6** ALIGN STEM HOLES TO CROSSBAR HUB SET SCREWS, THEN FULLY TIGHTEN SET SCREWS, SECURING STEM
- 7** ATTACH CROSSBAR ASSEMBLY TO DRIVER PLATE AND MOUNTING HARDWARE, THEN FULLY TIGHTEN MOUNTING HARDWARE
- 8** SPLICE FIXTURE WIRES TO DRIVER OUTPUT WIRES WITH SUPPLIED LEVER CONNECTORS
- 9** RAISE CANOPY TO MAGNETIC CROSSBAR



Amerlux, 178 Bauer Drive, Oakland, N.J. 07436, T: 973-882-5010, F: 973-882-2604 www.amerlux.com