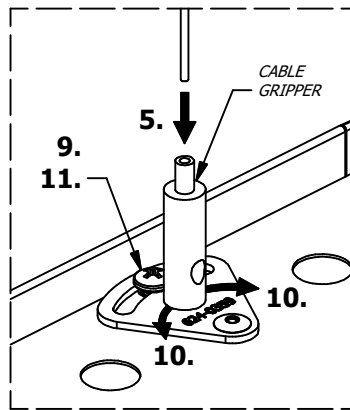
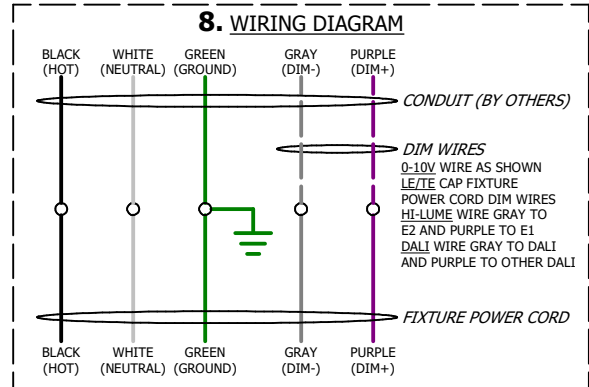
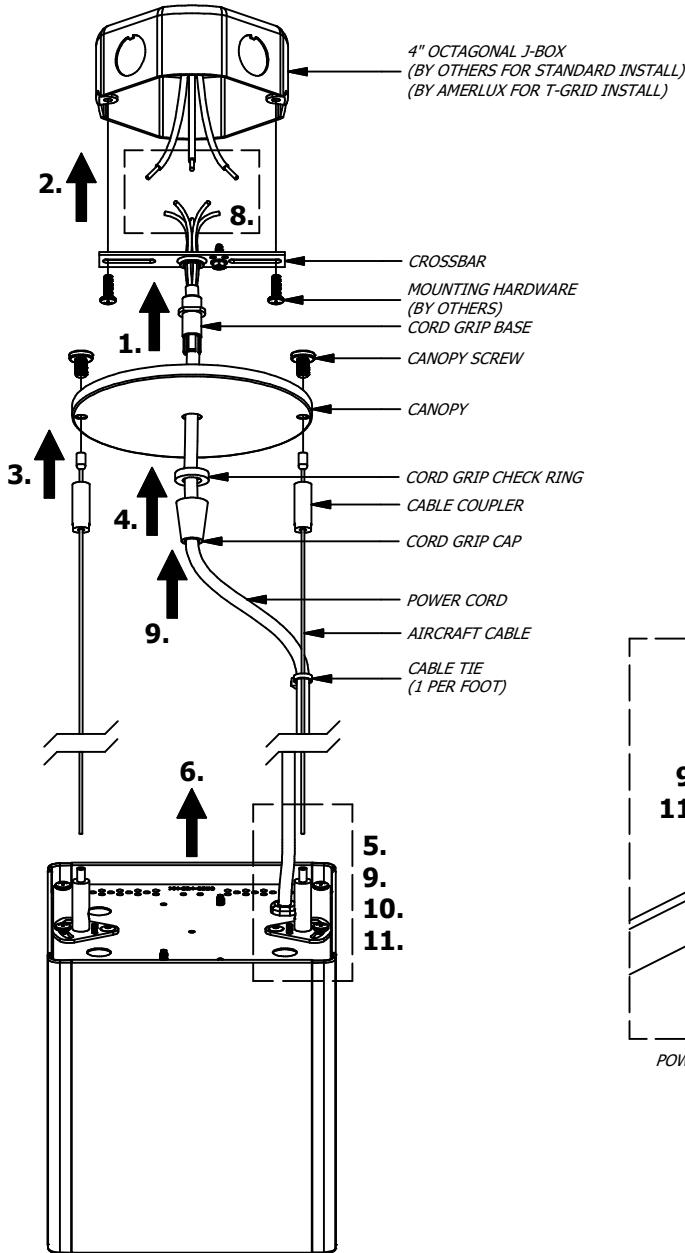
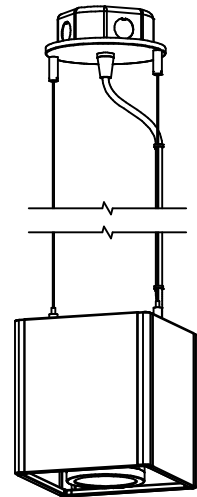


WARNING - RISK OF FIRE AND ELECTRICAL SHOCK. FIXTURE MUST BE INSTALLED BY A QUALIFIED ELECTRICIAN ONLY. FIXTURE IS INTENDED FOR INSTALLATION IN ACCORDANCE WITH THE NATIONAL ELECTRICAL CODE, LOCAL AND FEDERAL SPECIFICATIONS. DISCONNECT POWER AT ELECTRICAL PANEL BEFORE SERVICING.

RETAIN THESE INSTRUCTIONS FOR MAINTENANCE REFERENCE.



POWERED CORD NOT SHOWN FOR CLARITY



- 1.** THREAD CORD GRIP BASE INTO KIT CROSSBAR, **2.** MOUNT CROSSBAR TO J-BOX WITH HARDWARE (BY OTHERS), **3.** FEED AIRCRAFT CABLES THROUGH CABLE COUPLERS AND JOIN TO CANOPY WITH CANOPY SCREWS, **4.** SUSPEND CANOPY AND CORD GRIP CHECK RING BY THREADING (BUT NOT FULLY TIGHTENING) CORD GRIP CAP TO CORD GRIP BASE, **5.** FEED AIRCRAFT CABLES THROUGH CABLE GRIPPERS ON FIXTURE, **6.** RAISE AND LEVEL FIXTURE, **7.** FEED POWER CORD THROUGH CORD GRIP CAP AND WIRE ACCORDING TO LOCAL AND NATIONAL CODE, THEN **9.** FULLY TIGHTEN CORD GRIP CAP. TO FINE-TUNE FIXTURE BALANCE AFTER AIMING (689-0667), **9.** LOOSEN (DON'T REMOVE) SCREW (x2), **10.** ADJUST SWIVEL BRACKET (x2) TO BALANCE FIXTURE, THEN **11.** TIGHTEN SCREW.

Amerlux, 178 Bauer Drive, Oakland, N.J. 07436, T: 973-882-5010, F: 973-882-2604 www.amerlux.com