

# VELATO® INTERNATIONAL

## RECESSED SLOT ADJUSTABLE TRIMLESS MULTIPLE 1 LIGHT LED

I-VEL-HHP-TL-1-SA  
1LT LED

### APPLICATION:

Accent and display lighting for retail, commercial and hospitality environments

### CONSTRUCTION:

Stamped steel mounting frame with integral mounting bars  
Steel plaster frame  
Thermally protected  
Steel driver housing  
Extruded aluminum upper housing with knife-edge and mitered/welded corners  
Complete die-cast optical head construction  
No exposed wiring  
Powder coat paint

### MOUNTING:

For use in sheet rock ceilings, 15 mm thick

### LABELING:

CE  
For indoor use only

### OPTICS:

30° tilt, 360° rotation  
Available in a variety of beam spreads  
LED:  
Color Temp Options: 2200K, 2700K, 3000K, 3500K, 4000K  
CRI: 83 typ. (2700K, 3000K, 3500K, 4000K)  
90+ typ. (2200K, 2700K, 3000K)  
CrispWhite LED available (16W max)  
R9 Values: 11 (83CRI), 55 (90+CRI)  
Life: 50,000 hrs  
Binning: 3 MacAdam  
Lumen Maintenance: >70% of initial lumens @ 50,000 hrs

### ELECTRICAL:

Electronic constant current LED driver, 240v input  
ELV and Triac dimming standard, 240v  
See following pages for more information  
**This product complies with IEEE C62.41 for surge endurance up to 2.5KV. Amerlux recommends using additional surge protection with this unit (supplied by others), surge damage is not covered by warranty.**



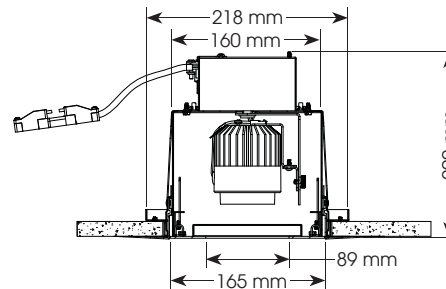
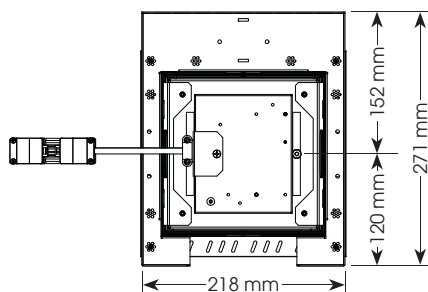
### PROJECT:

TYPE:

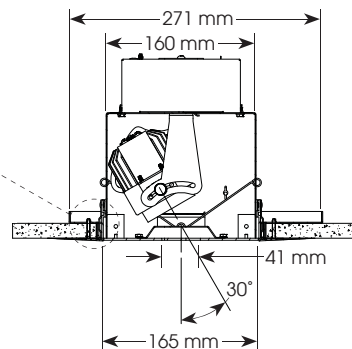
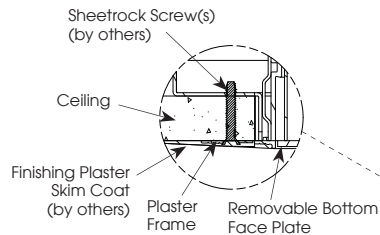
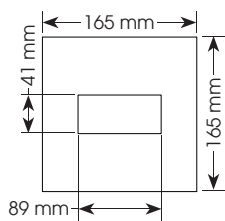


Electrostatic sensitive device,  
observe precautions for  
handling

181 x 181



Ceiling Cut Out Dimension: 181 mm x 181 mm



### ELECTRICAL

Electronic driver

	11W		16W		18W	
	System Watts	Amps	System Watts	Amps	System Watts	Amps
240 v	11	0.05	16	0.07	18	0.08

### ORDERING INFORMATION:

Model	# Heads	Concealed Type	Wattage	Lamp Type	Voltage	Beam Spread	Faceplate Finish	Color Temp (CCT(K)-CRI)	Listing Code	Options/Accessories
I-VEL-HHP-TL	1	SA - slot adjustable	11 16 18	LED	240	SP NF MFL FL WF VWF LS	MW - matte white	27 - 2700-83 30 - 3000-83 35 - 3500-83 40 - 4000-83 229 - 2200-90+ 279 - 2700-90+ 309 - 3000-90+ CRISP - CrispWhite (16W max)	CE	AH - accessory holder, black texture, accepts 2 forms of media HEX - hexcell louver (1/8" x 1/8"), requires AH DALI - DALI driver

\*SP - spot 15°, NF - narrow flood 22°, MFL - medium flood 25°, FL - flood 28°, WF - wide flood 45°, VWF - very wide flood 60°, LS - linear spread 60°x10°

Example: I-VEL-HHP-TL-1-SA-18-LED-240-SP-MW-30-CE

Cat #:

Amerlux reserves the right to change details that do not affect overall function and performance.

Amerlux®, LLC • 178 Bauer Drive, Oakland, NJ 07436 • P: 973.882.5010 F: 973-882.2605 • www.amerlux.com

LIT-1865 rev 3/17

