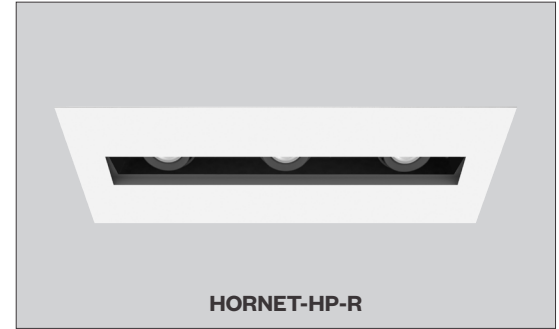


PROJECT:

TYPE:

Features

A completely unique addition to the Amerlux® line, Velato is our response to your requests for a super-flexible, concealed ceiling light with a quasi-custom vibe. Light shoots through the center of this new, concealed multiple, and lands right on target. The Velato faceplate is the key to its unique properties. The versatile Velato is offered in 1, 2 and 3 light multiples. Trimless version also available.



Product Overview

Type: Recessed Slot Multiple, Accent & Display
Wattage: 11W, 16W, 18W
Color Temp: 2200K, 2700K, 3000K, 3500K, 4000K
CRI: 83 typ. (2700K, 3000K, 3500K, 4000K)
 90+ typ. (2200K, 2700K, 3000K, 3500K, 4000K)
 CrispWhite & 3K Class A LEDs available (16W max)
Dimming: TRIAC & ELV, 5% Dim, 120/277VAC
 Lutron LDE1 Hi-lume® 1% Dim Soft-On/Fade-to-Black, 120/277VAC
 0-10V, 1% Dim, 120/277VAC
 DALI, 1% Dim, 120/277VAC

Certifications



Fixture Summary

Fixture Type

# of Heads	New Construction	Remodeler	Trim	Trimless
1	Yes	No	Yes	Yes
2	Yes	No	Yes	Yes
3	Yes	No	Yes	Yes

See separate spec sheet for Semi-Recessed or Remodeler versions.

Performance Data

Watts	Delivered Lumens	LPW	CBCP	Color Temp-CRI
11	732	66	5336	3000K-83
16	1064	66	7761	3000K-83
18	1197	68	8731	3000K-83

Data is based on 3000K-83, 120V IES files available on website.

Data is based on 1 light configuration with Spot optic.

PROJECT:	TYPE:
-----------------	--------------

Ordering Information - Frame

	1	2	3	4	5
1 Model	VEL-NC-FRAME <i>(new construction)</i> VEL-CP-FRAME <i>(Chicago Plenum frame)</i>	2 Style	T trimmed TL trimless	3 # of Heads	1 2 3
				4 Voltage	120 277
5 Driver <i>(for non-dimming select LE/TE option)</i>	LE/TE TRIAC/ELV dimming, 5% dim HILUME-H-ECO Lutron LDE1 Hi-lume® 1% dim Soft-On/Fade-to-Black 0-10V 0-10V dimming, 1% dim DALI EldoLED, 1% dim	6 Options/Accessories	HB49 - hanger bars from min 29" to max 49" <i>Note: 14 1/2" - 25" hanger bars are included as standard.</i> <i>Choose HB49 option above for larger mounting spaces only.</i>		

Ordering Information - Trim

	1	2	3	4	5	6	7	8	9	10	11	
1 Model	VEL-HHP-NC-TRIM <i>(new construction)</i> VEL-HHP-CP-TRIM <i>(Chicago Plenum trim)</i>	2 Style	T trimmed TL trimless	3 # of Heads	1 2 3	4 Concealed Type	SA slot adjustable	5 Wattage	11 16 18	6 Voltage	120-277	
7 Beam Spread	1LT 2LT 3LT SP SP SP <i>(spot 15°)</i> NF NF NF <i>(narrow flood 22°)</i> MFL MFL MFL <i>(medium flood 25°)</i> FL FL FL <i>(flood 28°)</i> WF WF WF <i>(wide flood 40°)</i> VWF VWF VWF <i>(very wide flood 60°)</i> LS LS LS <i>(linear spread 60°x10°)</i>	8 Options	83 CRI 90+ CRI 27 2700K-83 229* 2200K-90+ CRISP* CrispWhite 30 3000K-83 279 2700K-90+ 3CLA* 3000K Class A 35 3500K-83 309 3000K-90+ 40 4000K-83 359 3500K-90+ 409 4000K-90+ <i>* Not available for 18W</i>									
9 Faceplate Finish	MW matte white	10 Driver <i>(for non-dimming select LE/TE option)</i>	LE/TE TRIAC/ELV dimming, 5% dim HILUME-H-ECO Lutron LDE1 Hi-lume® 1% dim Soft-On/Fade-to-Black 0-10V 0-10V dimming; 1% dim DALI EldoLED; 1% dim	11 Options	AH accessory holder, accepts (2) 1/8" forms of media and optical film HEX hexcell louver <i>(requires AH)</i>							

PROJECT:

TYPE:

Specifications

Application

Retail, commercial and hospitality accent and display lighting

Construction

Stamped steel mounting frame with integral mounting bars
 Thermally protected (*adds 2W to total fixture wattage*)
 Steel driver housing
 Extruded aluminum upper housing
 Steel plaster frame (*trimless only*)
 Complete die-cast optical head construction
 No exposed wiring

Optical

Tilt: 0-30°
 Rotation: 360°+
 Beam Spreads: Spot, 15°; Narrow Flood, 22°; Medium Flood, 25°;
 Flood, 28°; Wide Flood, 45°; Very Wide Flood, 60°;
 Linear Spread, 60° x 10°

LED

Color Temp Options: 2200K, 2700K, 3000K, 3500K, 4000K,
 CRISP, Class A
 CRI: 83 typ. (2700K, 3000K, 3500K, 4000K)
 90+ typ. (2200K, 2700K, 3000K, 3500K, 4000K)
 CrispWhite* LED (16W max)
 Class A** 3000K LED (*high CRI, high gamut, 16W max*)

R9 Values: 11 (83 CRI), 55 (90+ CRI)

Binning: 3-step MacAdam ellipse (SDCM)

Life: 50,000+ hrs, > 70% of initial lumens at 50,000 hrs

* *CrispWhite: CrispWhite Technology delivers the warmth of colors expected from a high 90 CRI solution but also creates the natural crisp white color that is pleasing to the eye. It creates the most impactful lighting ever available, by revealing the richest whites and vibrant colors that pop.*

** *Class A LED: Class A LED's have a CRI > 80 and a GAI > 80. CRI defines color "Naturalness" and GAI defines color "Saturation." Both being high delivers rich colors and pure whites.*

Electrical

Wattage: 11W, 16W, 18W

Electronic constant current LED driver, 120/277VAC input

This product complies with IEEE C62.41 for surge endurance up to 2.5KV. Amerlux® recommends using additional surge protection with this unit (supplied by others), surge and over voltage damage is not covered under warranty.

Drivers

LE/TE - Leading Edge (*Triac, Forward Phase*) or Trailing Edge (*ELV, Reverse Phase*) autosensing driver dims down to 5% on most dimming systems.
 0-10V, Lutron and DALI systems also available
See pages 7-8 for more dimming information

Finish

Powder coat paint

Mounting

Hanger Bars:

Adjustable hanger bars included (14 1/2" - 25" std.)

Optional **HB49** - hanger bars from min 29" to max 49" available

Trimmed:

For use in T-Grid or GB ceilings; max ceiling thickness 1"

Trimless:

For use in GB ceilings; max ceiling thickness 5/8"

Consult Factory for thicker ceilings

Certifications

CSA listed to UL standards. Suitable for damp locations
 Indoor use only

Warranty

5 year limited warranty

PROJECT:	TYPE:
-----------------	--------------

Electrical Data

NOTE: System Watts includes an additional 2W for thermal protector power consumption.

1 Light

Voltage	1 x 11W		1 x 16W		1 x 18W	
	System Watts	Amps	SystemWatts	Amps	System Watts	Amps
120V	11	0.09	16	0.13	18	0.15
277V	11	0.04	16	0.06	18	0.07

Electronic constant current LED driver.

2 Light

Voltage	2 x 11W		2 x 16W		2 x 18W	
	System Watts	Amps	SystemWatts	Amps	System Watts	Amps
120V	22	0.18	32	0.27	36	0.30
277V	22	0.08	32	0.12	36	0.13

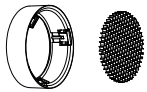
Electronic constant current LED driver.

3 Light

Voltage	3 x 11W		3 x 16W		3 x 18W	
	System Watts	Amps	SystemWatts	Amps	System Watts	Amps
120V	33	0.28	48	0.40	54	0.45
277V	33	0.12	48	0.17	54	0.19

Electronic constant current LED driver.

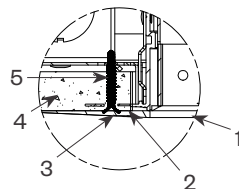
Accessories (diagrams show installation order)



Accessory holder, hexcell louver

Plaster Frame Installation Detail (for trimless fixture only)

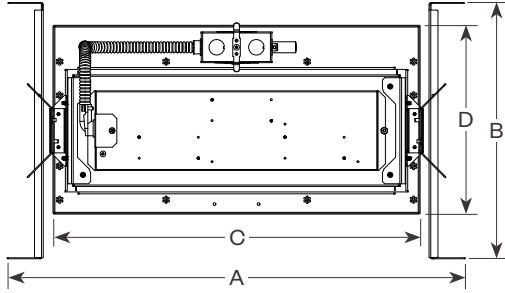
1. Removable bottom face plate
2. Plaster frame
3. Plaster skim coat (by others)
4. Ceiling
5. Sheetrock screws (by others)



PROJECT:

TYPE:

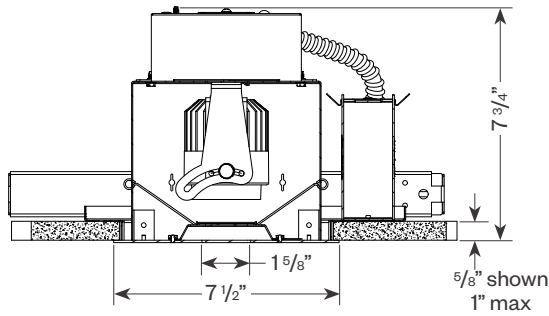
Product Details - Trimmed



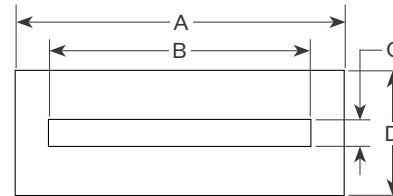
	1 Light	2 Light	3 Light
A	13 3/4"	20 1/4"	26"
B	14 1/2"	14 1/2"	14 1/2"
	max 25"	max 25"	max 25"
C	8 9/16"	15 1/16"	20 13/16"
D	10 11/16"	10 11/16"	10 11/16"

Ceiling Cut Out: 1 Light - 7 1/8" x 7 1/8"
 2 Light - 7 1/8" x 13 5/8"
 3 Light - 7 1/8" x 19 3/4"

End View

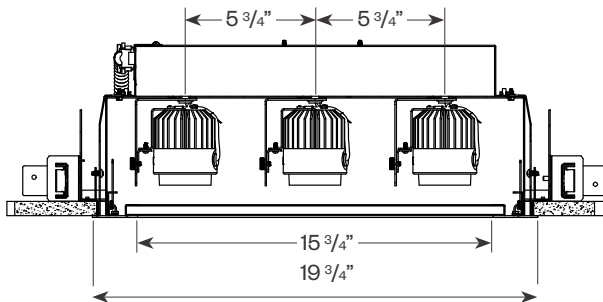
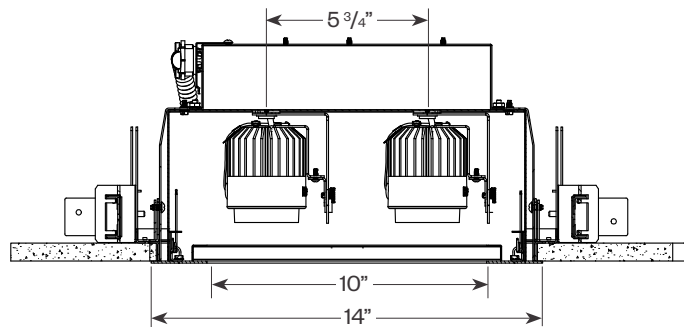
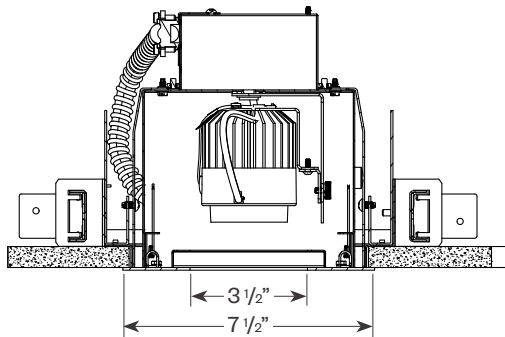


Bottom View



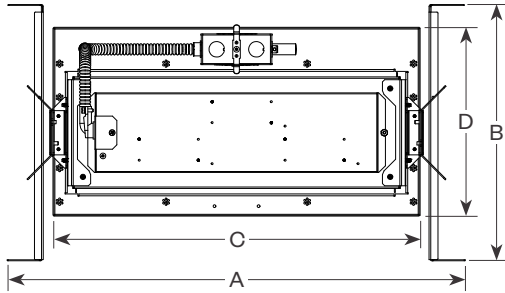
	1 Light	2 Light	3 Light
A	7 1/2"	14"	19 3/4"
B	3 1/2"	10"	15 3/4"
C	1 5/8"	1 5/8"	1 5/8"
D	7 1/2"	7 1/2"	7 1/2"

Side View



PROJECT: _____ TYPE: _____

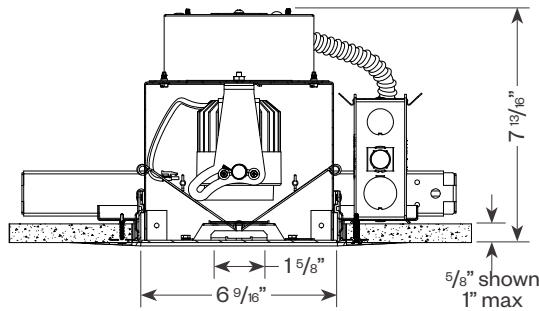
Product Details - Trimless



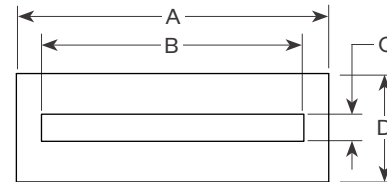
	1 Light	2 Light	3 Light
A	13 3/4"	20 1/4"	26"
B	14 1/2" max 25"	14 1/2" max 25"	14 1/2" max 25"
C	8 9/16"	15 1/16"	20 13/16"
D	10 11/16"	10 11/16"	10 11/16"

Ceiling Cut Out: 1 Light - 7 1/8" x 7 1/8"
 2 Light - 7 1/8" x 13 5/8"
 3 Light - 7 1/8" x 19 3/4"

End View

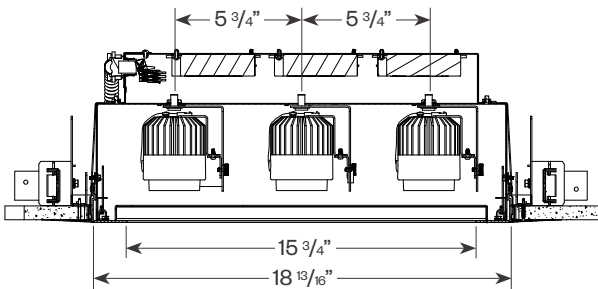
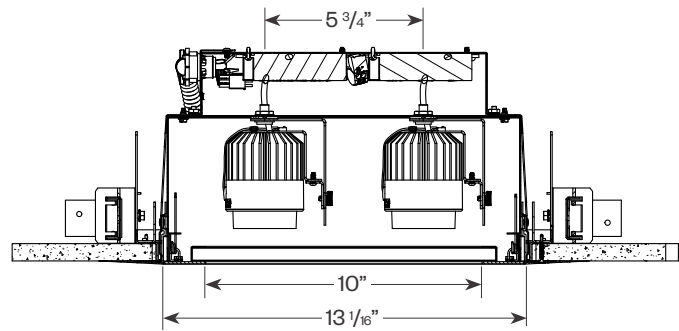
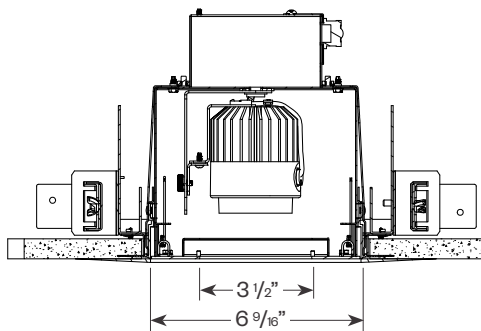


Bottom View



	1 Light	2 Light	3 Light
A	6 1/2"	13"	18 3/4"
B	3 1/2"	10"	15 3/4"
C	1 5/8"	1 5/8"	1 5/8"
D	6 1/2"	6 1/2"	6 1/2"

Side View



PROJECT:	TYPE:
-----------------	--------------

Dimming Compatibility

Amerlux® Velato® fixtures are compatible with all major dimming protocols prevalent in the United States. Please see below for general compatibilities and wiring diagrams. Amerlux recommends testing your unique dimming configuration as the exact full configuration (*Dimmer, Fixture Quantity, Voltage, etc*) may affect dimming performance.

--- NOTE: INFORMATION BELOW IS FOR WIRED DIMMERS ONLY. FOR WIRELESS DIMMERS, CONSULT FACTORY ---

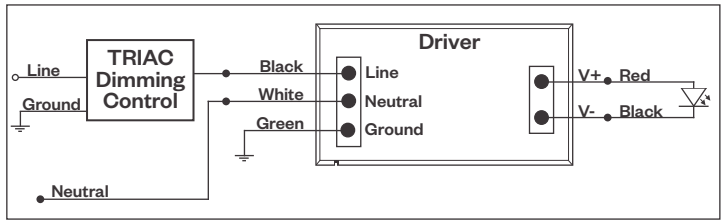
TRIAC (Forward Phase) Dimming

Utilizes standard TRIAC dimmers that are in wide use in installations across the US. Best for retrofit applications where TRIAC dimmers are installed.

Notes:

- 120VAC or 277VAC*
- Dims down to 5% light output (*most cases*)
- Consult Dimming manufacturer for installation instructions - **DO NOT SHARE NEUTRALS!**
- Must meet dimmer Minimum Load Requirements per dimming manufacturer

TRIAC Wiring Diagram



Compatible Dimmers†:	
Wall Box (TRIAC 120VAC)	Central System
Lutron "Diva"	Lutron "GP" Panel
Lutron "Nova-T"	Lutron Grafik Eye QS
Lutron "Maestro"	
Lutron "Skylark"	

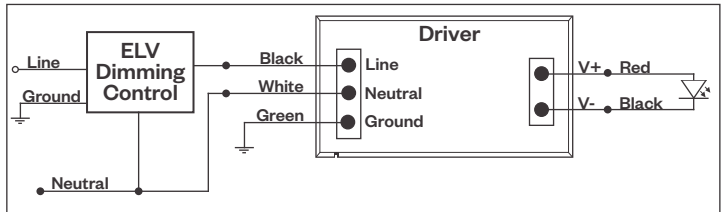
ELV - Electronic Low Voltage (Reverse Phase) Dimming

Utilizes specialized "ELV" dimmers.

Notes:

- 120VAC or 277VAC*
- Dims down to 5% light output (*most cases*)
- Consult Dimming manufacturer for installation instructions - **DO NOT SHARE NEUTRALS!**
- Must meet dimmer Minimum Load Requirements per dimming manufacturer

ELV Wiring Diagram



Compatible Dimmers†:		
Wall Box (ELV 120VAC)	Wall Box (ELV 277VAC)	Central System
Lutron "Diva"	Leviton Revoir II AWSMT-E	Lutron "GP" Panel with PHPM-PA 120/277VAC
Lutron "Nova-T"		Lutron Grafik Eye QS with PHPM-PA 120/277VAC
Lutron "Maestro"		
Lutron "Skylark"		
Leviton "Surslide"		
Leviton "Vizio"		

Notes:
 * Driver is 277VAC dimmable with appropriate dimmer (*by others*). All provided wiring diagrams show 120VAC wiring colors and method. Please refer to 277VAC dimmer installation instructions for 277VAC wiring diagrams.
 † The absence of a dimmer from the lists above does not imply incompatibility. Please consult factory for compatibility inquiries.

PROJECT:

TYPE:

Dimming Compatibility *(continued)*

Amerlux® Velato® fixtures are compatible with all major dimming protocols prevalent in the United States. Please see below for general compatibilities and wiring diagrams. Amerlux recommends testing your unique dimming configuration as the exact full configuration (*Dimmer, Fixture Quantity, Voltage, etc*) may affect dimming performance.

--- NOTE: INFORMATION BELOW IS FOR WIRED DIMMERS ONLY. FOR WIRELESS DIMMERS, CONSULT FACTORY ---

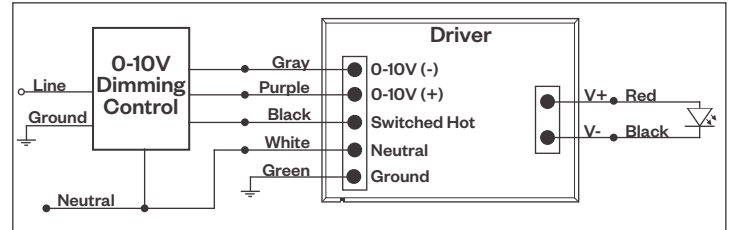
0-10V Dimming

Integrates into a variety of building management and daylighting controls

Notes:

- 120VAC or 277VAC*
- Dims down to 1% light output
- Requires interface to turn off power to driver
- Consult Dimming manufacturer for installation instructions - **DO NOT SHARE NEUTRALS!**

0-10V Wiring Diagram



Compatible Dimmers*:

Wall Box

Central System

Lutron "Diva" - DVSTV	Leviton Renoir II 0-10V	Lutron Grafik Eye with GRX-TVI Interface
-----------------------	-------------------------	--

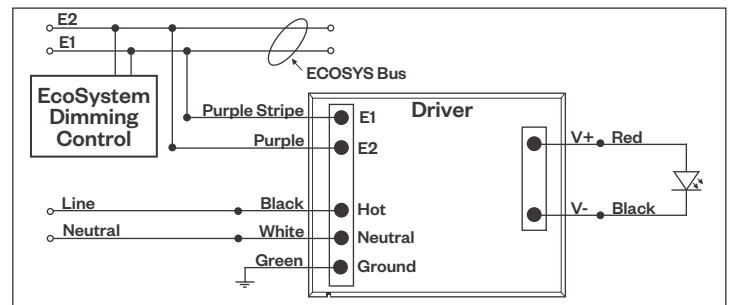
Lutron LDE1 Dimming

Integrates into Lutron EcoSystem building management

Notes:

- 120VAC or 277VAC*
- Dims down to 1% Soft-On/Fade-to-Black
- EcoSystem Control
- Consult Dimming manufacturer for installation instructions - **DO NOT SHARE NEUTRALS!**

LDE1 (HILUME-H-ECO) EcoSystem Digital Control Wiring Diagram



Compatible Dimmers*:

Lutron ECO System

Central System

Pow Pak Dimming Modules	Lutron EcoSystem compatible controls
Energi Savr Node	
Grafik Eye QS/Homeworks	
QS Control Unit	
Quantum Hub	
Homeworks QS/My Room	

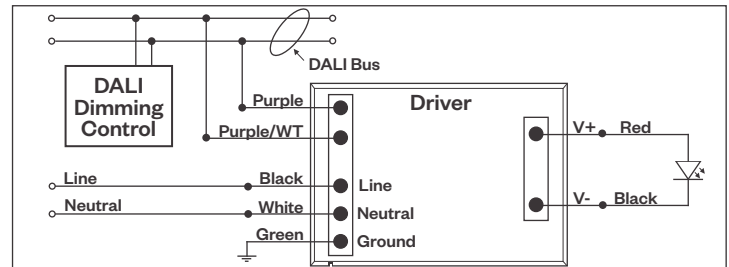
DALI Dimming

Digital control protocol allows individual fixture control

Notes:

- 120VAC - 277VAC*
- Dims down to 1% light output in most cases

DALI Wiring Diagram



Compatible Dimmers*:

Wall Box (3-Wire Fluorescent)

Central System

Leviton CD250 Controller	Dynalite
	Fifth Light

Notes:

* Driver is 277VAC dimmable with appropriate dimmer (*by others*). All provided wiring diagrams show 120VAC wiring colors and method. Please refer to 277VAC dimmer installation instructions for 277VAC wiring diagrams.

† The absence of a dimmer from the lists above does not imply incompatibility. Please consult factory for compatibility inquiries.