

Hornet[®] HP

Recessed Multiples



Features

Hornet High Power (HP) Multiples perform beautifully, punching through higher ambient light with strong output making them perfect for retail applications. For a clean ceiling aesthetic or when track is not an option, Hornet HP Multiples are ideal for delivering great performance, energy efficiency, and maximum control over where and how you want to place light.

Product Overview

| | |
|---------------|---|
| Type: | Recessed Multiple, Accent & Display |
| Wattage: | 11, 16, 18 |
| Lumen Output: | 1,640 max; 91.1 Lm/W (spot optic) |
| CBCP: | 13,119 max (spot optic) |
| Color Temp: | 2200K, 2700K, 3000K, 3500K, 4000K, CRISP |
| ORl: | 83 typ. (2700K, 3000K, 3500K, 4000K) 90+ typ. (2200K, 2700K, 3000K, 3500K, 4000K) CrispWhite (16W max) & 3K Class A available |
| Dimming: | TRIAC & ELV (120/277VAC) - 5% Dim Lutron LDE1 Hi-lume [®] 1% Soft-On/Fade-to-Black, 120/277VAC 0-10V (120/277VAC) - 1% Dim DALI (120/277VAC) - 1% Dim |



PROJECT:

TYPE:



2 Light



3 Light



4 Light (Trimless version shown)

Fixture Summary *(see following pages for more information)*

Fixture Type

| # of Heads | New Construction | Remodeler | Trim | Trimless |
|------------|------------------|-----------|------|----------|
| 1 | Yes | No | Yes | Yes |
| 2 | Yes | No | Yes | Yes |
| 3 | Yes | No | Yes | Yes |
| 4 | Yes | No | Yes | Yes |

See separate spec sheet for Semi-Recessed or Remodeler versions.

Performance Chart

| Watts | Delivered Lumens | LPW | CBCP | Color Temp |
|-------|------------------|------|--------|------------|
| 11 | 1030 | 93.7 | 8,243 | 3000K-83 |
| 16 | 1,451 | 90.7 | 11,610 | 3000K-83 |
| 18 | 1,640 | 91.1 | 13,119 | 3000K-83 |

Data is based on 3000K-83, 120V IES files available on website

Data is "per head" and based on Spot optic

See page 10 for other beam spreads



PROJECT:

TYPE:

Frame Ordering Information

| HORNET-HP-R/SR-NC-FRAME | | | | | |
|---|---|---|---|---|---|
| 1 | 2 | 3 | 4 | 5 | 6 |
| 1 <u>Model</u> HORNET-HP-R/SR-NC-FRAME (new construction) | | | | 4 <u>Voltage</u> 120 277 | |
| 2 <u>Style</u> T - trimmed TL - trimless | | | | 5 <u>Driver</u> (for non-dimming select LE/TE option) LE/TE - TRIAC/ELV dimming, 5% dim (standard) HILUME-H-ECO - Lutron LDE1 Hi-lume® 1% Soft-On/Fade-to-Black 0-10V - 0-10V dimming; 1% dim DALI - EldoLED; 1% dim | |
| 3 <u># of Heads</u> 1 2 3 4 | | | | 6 <u>Options/Accessories</u> EM* - emergency battery pack, available on 2, 3 or 4 light - powers only 1 head of the the total fixture * If this option is selected, you must also select EM option in the Trim Ordering section. | |

Trim Ordering Information

| HORNET-HP-R-NC-TRIM | | | | | | | | | | |
|--|---|---|---|---|---|---|---|---|----|--|
| 1 | 2 | 3 | 4 | 5 | 6 | 7 | 8 | 9 | 10 | |
| 1 <u>Model</u> HORNET-HP-R-NC-TRIM (new construction) | | | | | | | 8 <u>Color Temp</u> 83 CRI: 90+ CRI: 27 - 2700K-83 229* - 2200K-90+ CRISP* - CrispWhite 30 - 3000K-83 279 - 2700K-90+ 3CLA* - 3K Class A 35 - 3500K-83 309 - 3000K-90+ 40 - 4000K-83 359 - 3500K-90+ 409 - 4000K-90+ * Not available for 18W | | | |
| 2 <u>Style</u> T - trimmed TL - trimless | | | | | | | 9 <u>Driver</u> (for non-dimming select LE/TE option) LE/TE - TRIAC/ELV dimming, 5% dim (standard) HILUME-H-ECO - Lutron LDE1 Hi-lume® 1% Soft-On/Fade-to-Black 0-10V - 0-10V dimming; 1% dim DALI - EldoLED; 1% dim | | | |
| 3 <u># of Heads</u> 1 2 3 4 | | | | | | | 10 <u>Options/Accessories</u> SNAH - snoot accessory holder, 1" length, matte black interior, exterior finish matches fixture finish, accepts cross blade plus 2 additional forms of media AH - accessory holder, finish matches fixture finish, accepts 2 forms of media HEX - hexcell louver, 1/8" x 1/8" (requires SNAH or AH) CB - cross blade, matte black finish (requires SNAH) SOL - solite lens (requires AH or SNAH) EM* - emergency battery pack, available on 2, 3 or 4 light - powers only 1 head of the total fixture * If this option is selected, you must also select EM option in the Frame Ordering section. | | | |
| 4 <u>Wattage</u> 11 16 18 | | | | | | | | | | |
| 5 <u>Finish</u> (for housing, head & trim) WT - white texture BT - black texture ST - silver texture <i>Other finishes, consult factory</i> | | | | | | | | | | |
| 6 <u>Voltage</u> 120-277 | | | | | | | | | | |
| 7 <u>Beam Spreads</u> 1LT 2LT 3LT 4LT SP SP SP SP (spot 15°) NF NF NF NF (narrow flood 22°) MFL MFL MFL MFL (medium flood 25°) FL FL FL FL (flood 28°) WF WF WF WF (wide flood 40°) VWF VWF VWF VWF (very wide flood 60°) LS LS LS LS (linear spread lens 60°x10°) | | | | | | | | | | |

PROJECT:

TYPE:

Specifications

Application

Retail, commercial and hospitality accent and display lighting

Construction

Stamped steel mounting frame with integral mounting bars
Thermally protected (adds 2W to total fixture wattage)
Steel driver housing
Steel upper housing and laser cut trim ring
Steel plaster frame (trimless only)
Complete die-cast optical head construction
No exposed wiring

Optical

Tilt: 0-35°x35° (R), 0-20°x40° (RTLX)
Rotation: 360°+
Beam Spreads: Spot, 15°; Narrow Flood, 22°;
Medium Flood, 25°; Flood, 28°; Wide Flood, 40°;
Very Wide Flood, 60°; Linear Spread, 60° x 10°

LED

Color Temp Options:
2200K, 2700K, 3000K, 3500K, 4000K, CRISP
CRI: 83 typ. (2700K, 3000K, 3500K, 4000K)
90+ typ. (2200K, 2700K, 3000K, 3500K, 4000K)
CrispWhite* LED available, 16W max
Class A 3000K (high CRI, high gamut)
R9 Values: 11 (83 CRI), 55 (92 CRI)
Binning: 3 MacAdam (SDCM)
Life: 50,000+ hrs, > 70% of initial lumens at 50,000 hrs
**CrispWhite: CrispWhite Technology delivers the warmth of colors expected from a high 90 CRI solution but also creates the natural crisp white color that is pleasing to the eye. It creates the most impactful lighting ever available, by revealing the richest whites and vibrant colors that pop.*
***Class A LED: Class A LED's have a CRI > 80 and a GAI > 80. CRI defines color "Naturalness" and GAI defines color "Saturation." Both being high delivers rich colors and pure whites.*

Electrical

Wattage: 11, 16, 18
Electronic constant current LED driver, 120/277VAC input
This product complies with IEEE C62.41 for surge endurance up to 2.5KV. Amerlux® recommends using additional surge protection with this unit (supplied by others), surge and over voltage damage is not covered under warranty.

Drivers

LE/TE - Leading Edge, TRIAC, forward phase/Trailing Edge, ELV, reverse phase
0-10V, Lutron and DALI systems also available
See pages 11-13 for more dimming information

Finish

Powder coat paint
Consult Factory for custom finishes

Mounting

For use in T-Grid or GB ceilings; max ceiling thickness 1"
Adjustable hanger bars included (14 1/2" - 25" std.)
(32"-48" Adjustable hanger bars available)
Consult Factory for thicker ceilings

Certifications

OSA listed to UL standards. Suitable for damp locations
Indoor use only

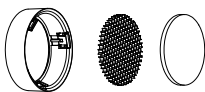
Warranty

5 year limited warranty

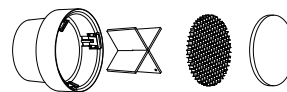
Emergency Battery Pack (EM)

Powers single head of 2, 3 or 4 light multiple at 5.1 watts (approx. 400 Lm) for 90 minutes. Not available on 1 light multiple

Accessories (diagrams show installation order)



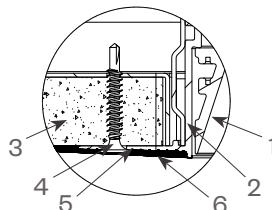
Accessory holder, hexcell louver, solite lens



Snoot accessory holder, cross blade, hexcell louver, solite lens

Plaster Frame Installation Detail (for trimless fixture only)

1. Recessed extruded housing
2. Aperture plate
3. Ceiling 5/8"
4. Drywall screw (by others)
5. Plaster frame
6. Plaster skim coat (by others)



PROJECT:

TYPE:

Electrical Data

1 Light

| | 1 x 11W | | 1 x 16W | | 1 x 18W | |
|------|--------------|------|--------------|------|--------------|------|
| | System Watts | Amps | System Watts | Amps | System Watts | Amps |
| 120V | 11 | 0.09 | 16 | 0.13 | 18 | 0.15 |
| 277V | 11 | 0.04 | 16 | 0.06 | 18 | 0.07 |

Electronic constant current LED driver

2 Light

| | 2 x 11W | | 2 x 16W | | 2 x 18W | |
|------|--------------|------|--------------|------|--------------|------|
| | System Watts | Amps | System Watts | Amps | System Watts | Amps |
| 120V | 22 | 0.18 | 32 | 0.27 | 36 | 0.30 |
| 277V | 22 | 0.08 | 32 | 0.12 | 36 | 0.13 |

Electronic constant current LED driver

3 Light

| | 3 x 11W | | 3 x 16W | | 3 x 18W | |
|------|--------------|------|--------------|------|--------------|------|
| | System Watts | Amps | System Watts | Amps | System Watts | Amps |
| 120V | 33 | 0.28 | 48 | 0.40 | 54 | 0.45 |
| 277V | 33 | 0.12 | 48 | 0.17 | 54 | 0.19 |

Electronic constant current LED driver

4 Light

| | 4 x 11W | | 4 x 16W | | 4 x 18W | |
|------|--------------|------|--------------|------|--------------|------|
| | System Watts | Amps | System Watts | Amps | System Watts | Amps |
| 120V | 44 | 0.37 | 64 | 0.53 | 72 | 0.60 |
| 277V | 44 | 0.16 | 64 | 0.23 | 72 | 0.26 |

Electronic constant current LED driver

Hornet[®] HP

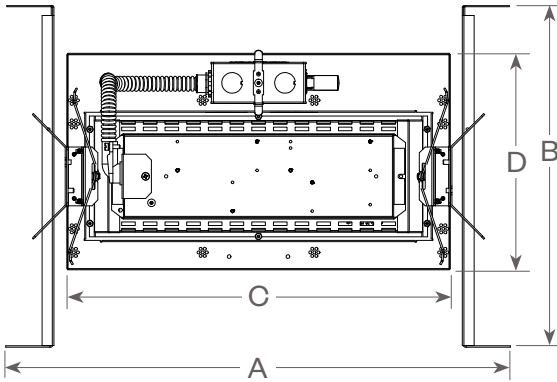
Recessed Multiples



PROJECT:

TYPE:

Hornet HP Multiples: Recessed

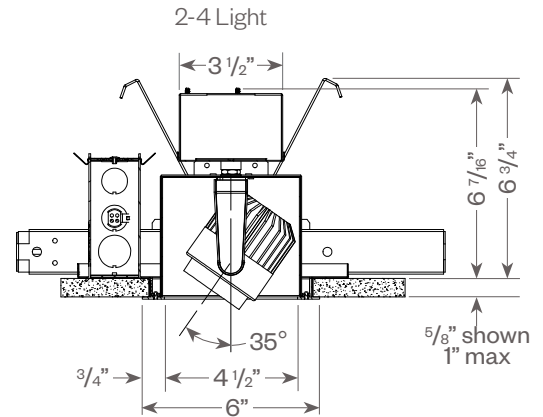
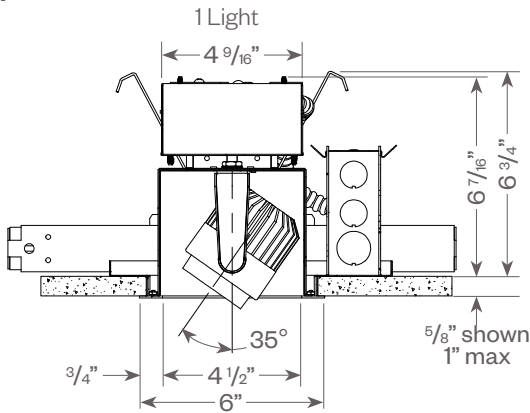


| | 1 Light | 2 Light | 3 Light | 4 Light |
|----------|--------------------|--------------------|--------------------|--------------------|
| A | 12 1/8" | 17" | 21 1/2" | 26" |
| B | 14 1/2" max 25" | 14 1/2" max 25" | 14 1/2" max 25" | 14 1/2" max 25" |
| C | 7 1/8" | 11 13/16" | 16 5/16" | 20 13/16" |
| D | 9 1/8" | 9 1/8" | 9 1/8" | 9 1/8" |

Ceiling cut out: 1 Light - 5 9/16" x 5 9/16"
 2 Light - 5 9/16" x 10 5/16"
 3 Light - 5 9/16" x 14 13/16"
 4 Light - 5 9/16" x 19 5/16"

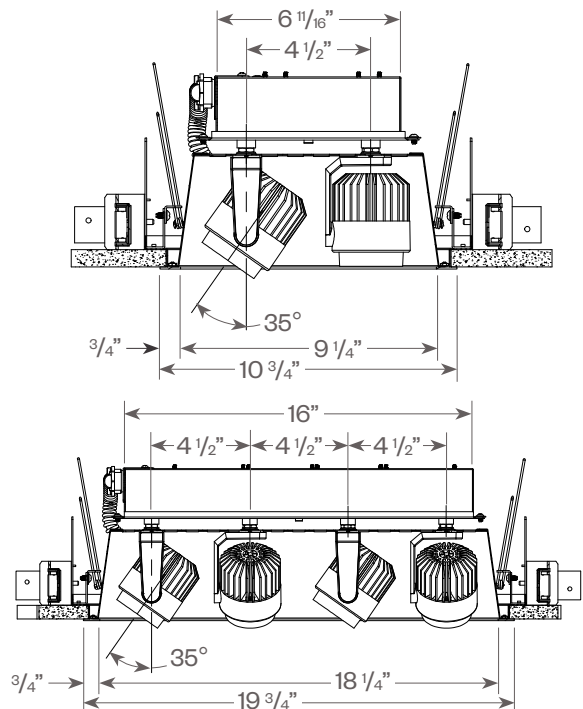
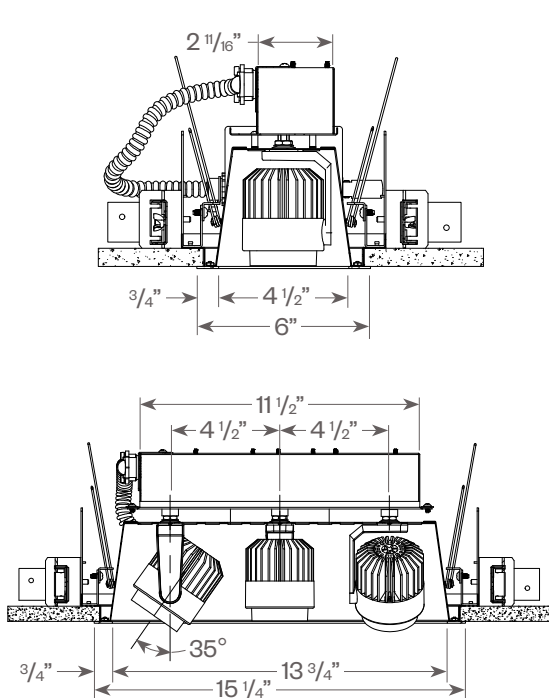
End View

Standard Driver (ELV/TRIAC)



Side View

Standard Driver (ELV/TRIAC)



Hornet[®] HP

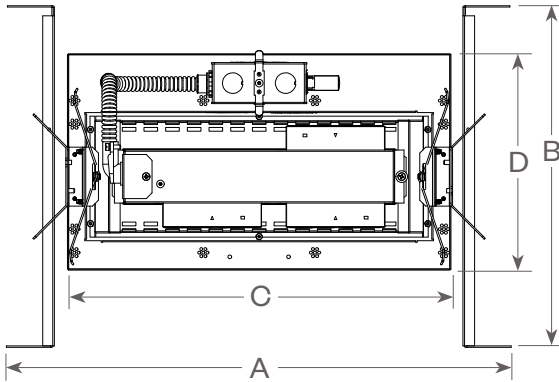
Recessed Multiples



PROJECT:

TYPE:

Hornet HP Multiples: Recessed

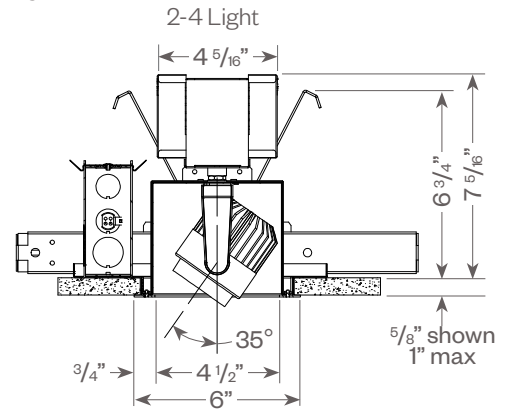
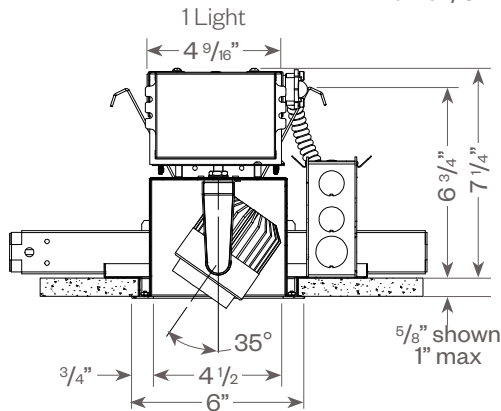


| | 1 Light | 2 Light | 3 Light | 4 Light |
|----------|---------|-----------|----------|-----------|
| A | 12 1/8" | 17" | 21 1/2" | 26" |
| B | 14 1/2" | 14 1/2" | 14 1/2" | 14 1/2" |
| | max 25" | max 25" | max 25" | max 25" |
| C | 7 1/8" | 11 13/16" | 16 5/16" | 20 13/16" |
| D | 9 1/8" | 9 1/8" | 9 1/8" | 9 1/8" |

Ceiling cut out: 1 Light - 5 9/16" x 5 9/16"
 2 Light - 5 9/16" x 10 5/16"
 3 Light - 5 9/16" x 14 13/16"
 4 Light - 5 9/16" x 19 5/16"

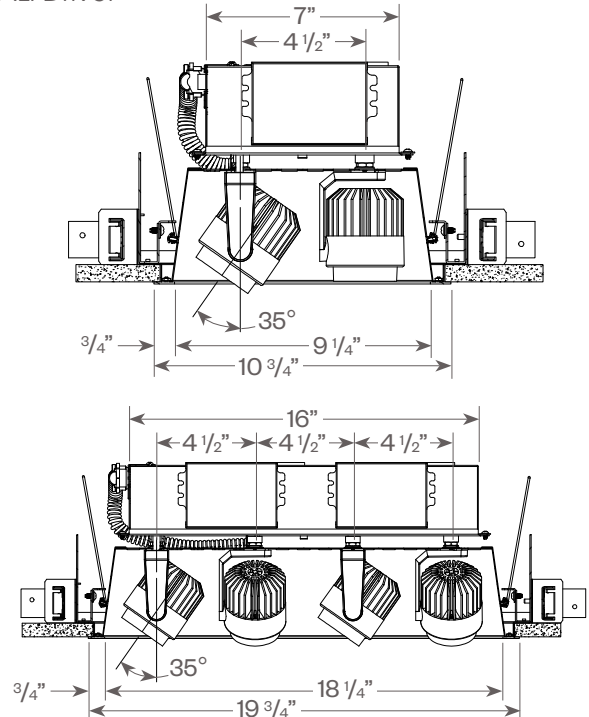
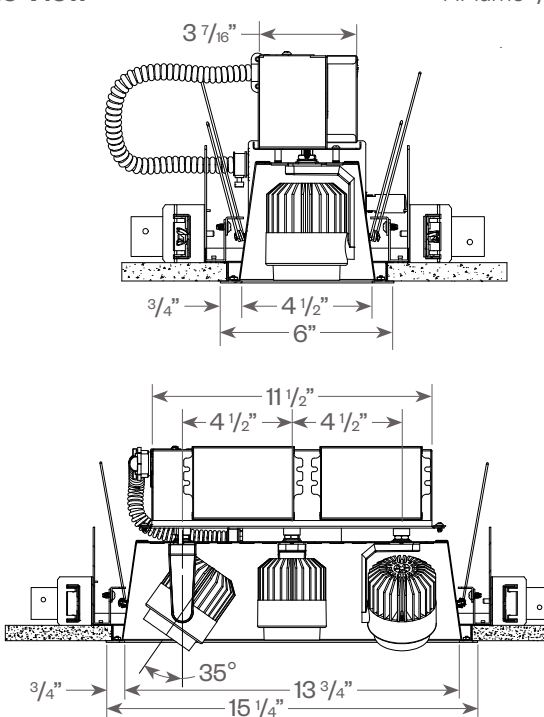
End View

Hi-lume[®]/0-10V/DALI Driver



Side View

Hi-lume[®]/0-10V/DALI Driver



Hornet[®] HP

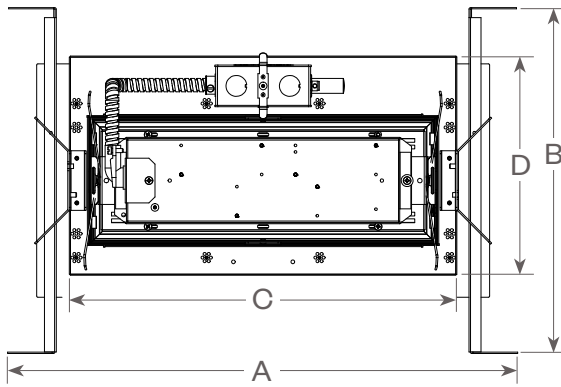
Recessed Multiples



PROJECT:

TYPE:

Hornet HP Multiples: Recessed Trimless

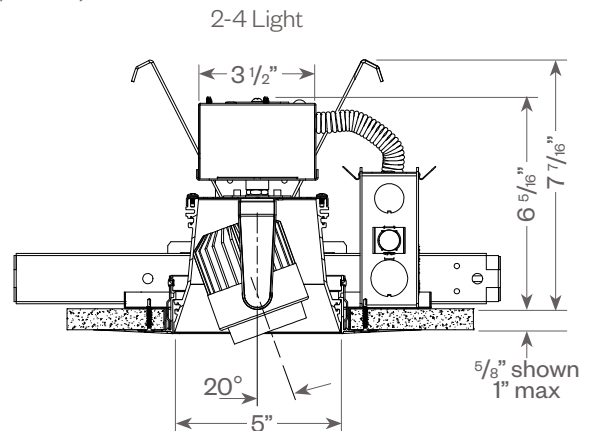
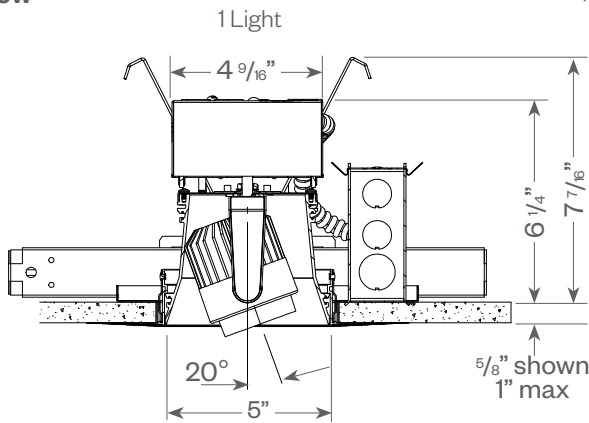


| | 1 Light | 2 Light | 3 Light | 4 Light |
|----------|--------------------|--------------------|--------------------|--------------------|
| A | 12 1/8" | 17" | 21 1/2" | 26" |
| B | 14 1/2" max 25" | 14 1/2" max 25" | 14 1/2" max 25" | 14 1/2" max 25" |
| C | 7 1/8" | 11 13/16" | 16 5/16" | 20 13/16" |
| D | 9 1/8" | 9 1/8" | 9 1/8" | 9 1/8" |

Ceiling cut out: 1 Light - 5 9/16" x 5 9/16"
 2 Light - 5 9/16" x 10 5/16"
 3 Light - 5 9/16" x 14 13/16"
 4 Light - 5 9/16" x 19 5/16"

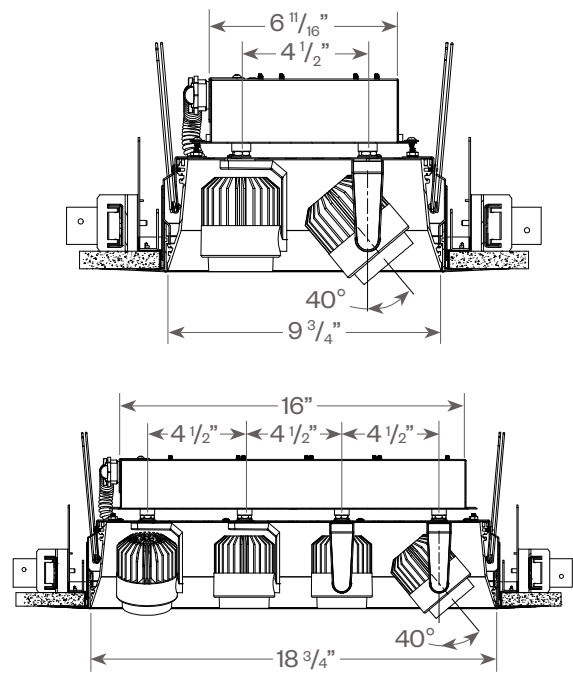
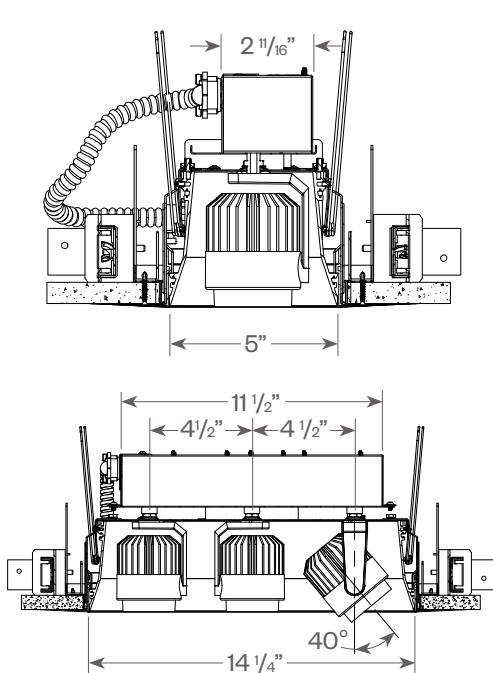
End View

Standard Driver (ELV/TRIAC)



Side View

Standard Driver (ELV/TRIAC)



Hornet[®] HP

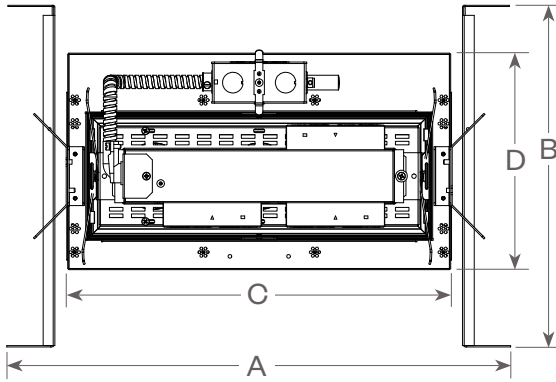
Recessed Multiples



PROJECT:

TYPE:

Hornet HP Multiples: Recessed Trimless

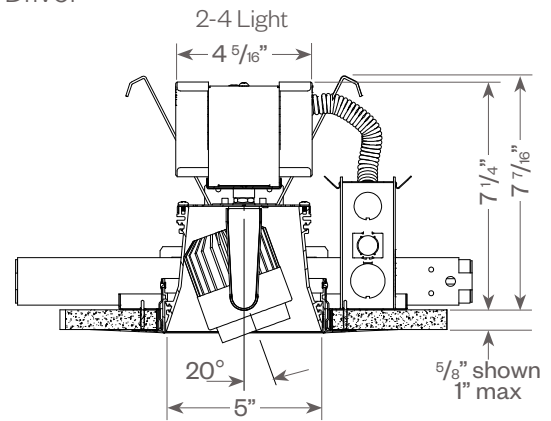
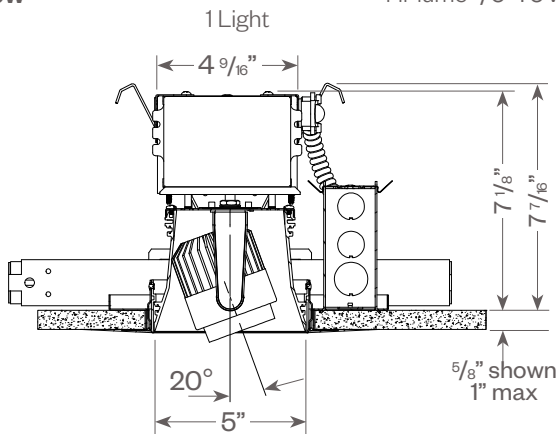


| | 1 Light | 2 Light | 3 Light | 4 Light |
|----------|--------------------|--------------------|--------------------|--------------------|
| A | 12 1/8" | 17" | 21 1/2" | 26" |
| B | 14 1/2" max 25" | 14 1/2" max 25" | 14 1/2" max 25" | 14 1/2" max 25" |
| C | 7 1/8" | 11 13/16" | 16 5/16" | 20 13/16" |
| D | 9 1/8" | 9 1/8" | 9 1/8" | 9 1/8" |

Ceiling cut out: 1 Light - 5 9/16" x 5 9/16"
 2 Light - 5 9/16" x 10 5/16"
 3 Light - 5 9/16" x 14 13/16"
 4 Light - 5 9/16" x 19 5/16"

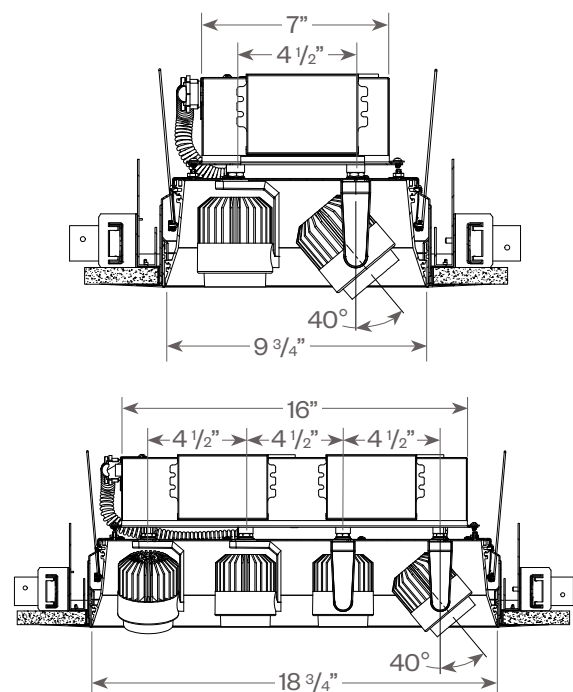
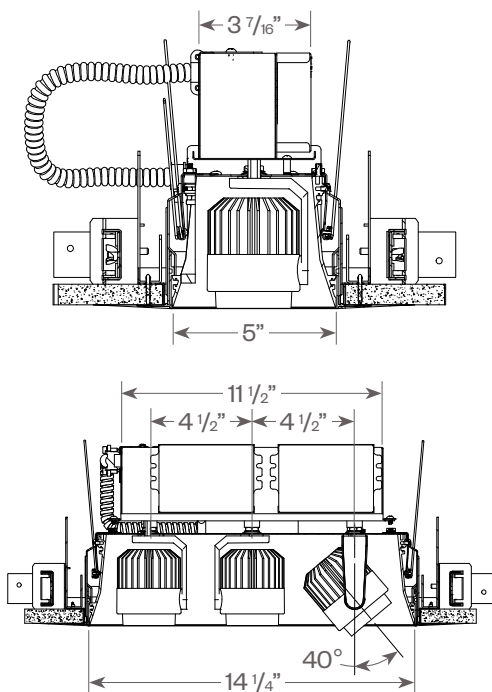
End View

Hi-lume[®]/0-10V/DALI Driver



Side View

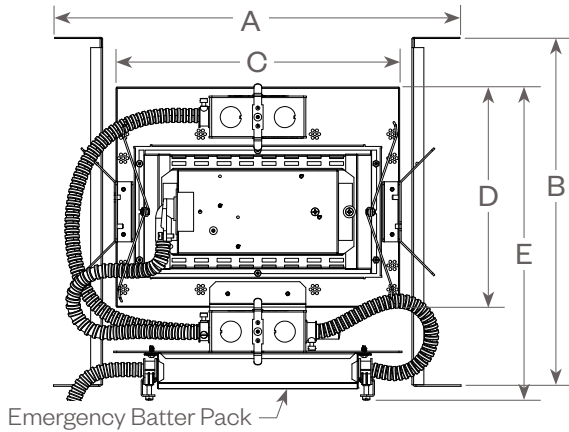
Hi-lume[®]/0-10V/DALI Driver



PROJECT:

TYPE:

Hornet HP Multiples: Recessed with Emergency Battery Pack (2-4 light only)

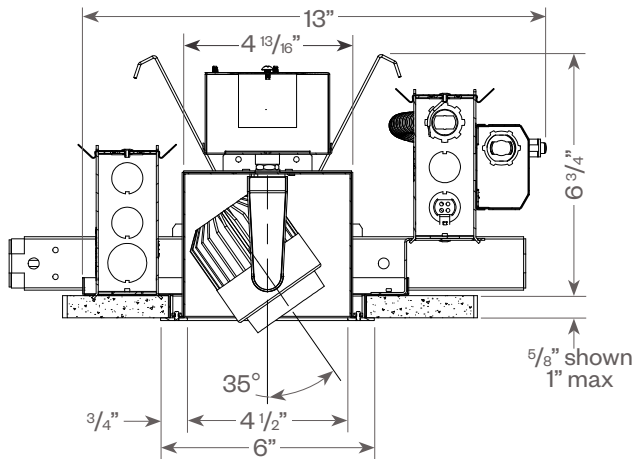


| | 2 Light | 3 Light | 4 Light |
|----------|--------------------|--------------------|--------------------|
| A | 17" | 21 1/2" | 26" |
| B | 14 1/2" max 25" | 14 1/2" max 25" | 14 1/2" max 25" |
| C | 11 13/16" | 16 5/16" | 20 13/16" |
| D | 9 1/8" | 9 1/8" | 9 1/8" |
| E | 13 | 13 | 13 |

Ceiling cut out: 2 Light - 5 9/16" x 10 5/16"
 3 Light - 5 9/16" x 14 13/16"
 4 Light - 5 9/16" x 19 5/16"

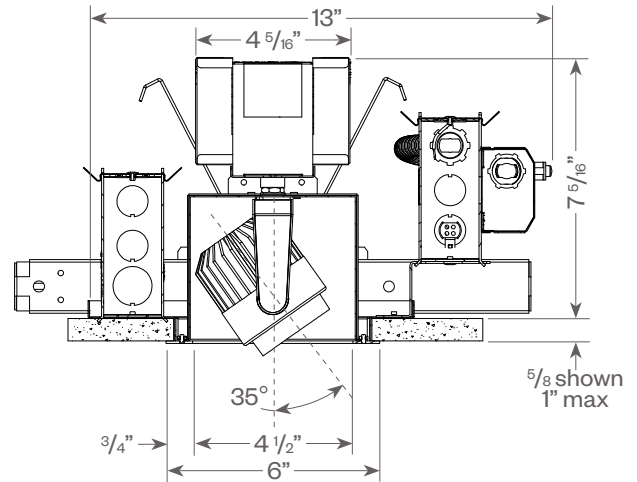
End View

Standard Driver (ELV/TRIAC)
2-4 Light

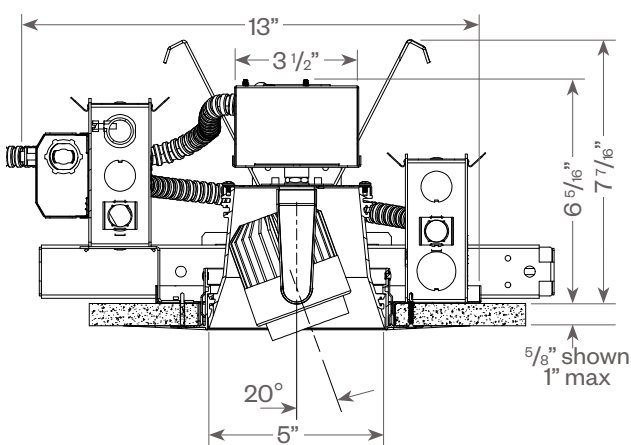


Trimmed

Hi-lume[®]/0-10V/DALI Driver
2-4 Light

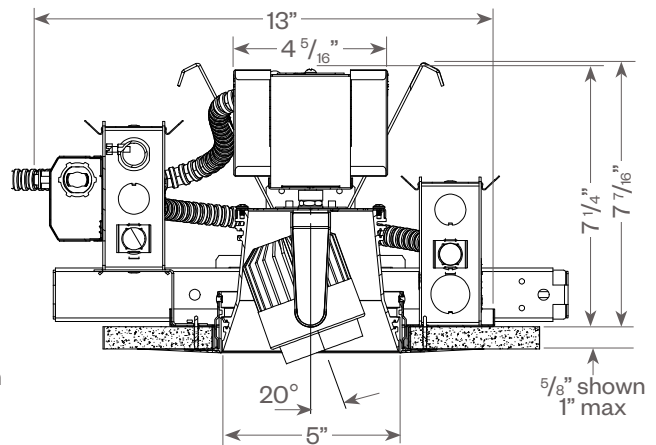


Standard Driver (ELV/TRIAC)
2-4 Light



Trimless

Hi-lume[®]/0-10V/DALI Driver
2-4 Light



Hornet[®] HP

Recessed Multiples



PROJECT:

TYPE:

FIXTURE DATA: (Complete photometric data (.ies format) available upon request)

MULTIPLYING FACTORS: (Multiplying Factor is based on 3000K-83 120V IES file on website)

| Wattage: | 11W | 16W | 18W |
|----------|------|-----|------|
| Factor: | 0.71 | 1.0 | 1.13 |

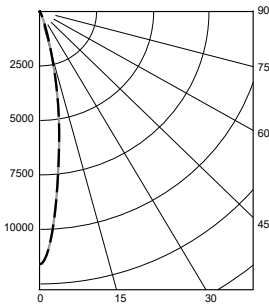
| CCT: | 2700K-83 | 3000K-83 | 3500K-83 | 4000K-83 |
|---------|----------|----------|----------|----------|
| Factor: | 0.96 | 1.0 | 1.02 | 1.04 |

| CCT: | 2200K-90+ | 2700K-90+ | 3000K-90+ | 3500K-90+ | 4000K-90+ | CRISP* | 3CLA |
|---------|-----------|-----------|-----------|-----------|-----------|--------|------|
| Factor: | 0.71 | 0.80 | 0.83 | 0.87 | 0.90 | 0.65 | 0.75 |

* Not available for use with 18W

16W, 3000K-83

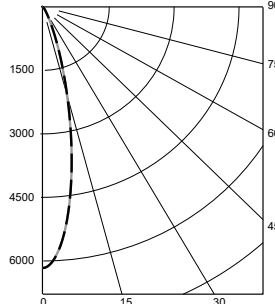
Spot (SP) Distribution, 15°
LTL #14346087.01
Lumens: 1,451



Candelas at Nadir

| Deg | Candela |
|-----|---------|
| 0 | 11610 |
| 5 | 8378 |
| 15 | 1825 |
| 25 | 257 |
| 35 | 86 |
| 45 | 31 |

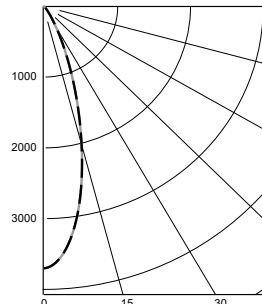
Narrow Flood (NF) Distribution, 22°
LTL #14346087.02
Lumens: 1,390



Candelas at Nadir

| Deg | Candela |
|-----|---------|
| 0 | 6167 |
| 5 | 5391 |
| 15 | 2012 |
| 25 | 426 |
| 35 | 119 |
| 45 | 52 |

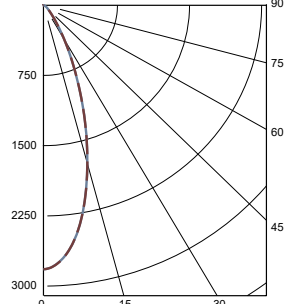
Flood (FL) Distribution, 28°
LTL #14346087.04
Lumens: 1,370



Candelas at Nadir

| Deg | Candela |
|-----|---------|
| 0 | 3703 |
| 5 | 3440 |
| 15 | 1925 |
| 25 | 651 |
| 35 | 179 |
| 45 | 67 |

Wide Flood (WF) Distribution, 40°
LTL #14346087.05
Lumens: 1,374



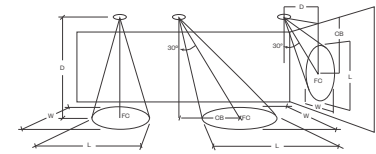
Candelas at Nadir

| Deg | Candela |
|-----|---------|
| 0 | 2820 |
| 5 | 2674 |
| 15 | 1750 |
| 25 | 763 |
| 35 | 248 |
| 45 | 86 |

Application Data:

Notes and Definitions:

- Beam spread is to 50% center beam candlepower (CBCP).
- D=Distance to floor or wall.
- FC=Footcandles on floor or wall at center beam aiming location.
- L=Effective Visual Beam length in feet (50% of maximum footcandle level).
- W=Effective Visual Beam width in feet (50% of maximum footcandle level).
- CB=Distance across or down to center beam location.



| | 0° Aiming Angle Horizontal Footcandles | | | | 30° Aiming Angle Horizontal Footcandles | | | | | 30° Aiming Angle Vertical Footcandles | | | | | 60° Aiming Angle Vertical Footcandles | | | | |
|--------------|--|-----|-----|-----|---|-----|-----|-----|-----|---|-----|-----|-----|-----|---|-----|-----|-----|-----|
| | D | FC | L | W | D | FC | L | W | CB | D | FC | L | W | CB | D | FC | L | W | CB |
| Spot | 5.0' | 463 | 1.4 | 1.4 | 5.0' | 213 | 2.3 | 2.2 | 3.0 | 3.0' | 135 | 3.4 | 2.2 | 5.0 | 3.0' | 403 | 1.8 | 1.6 | 2.0 |
| | 7.5' | 206 | 2.1 | 2.1 | 7.5' | 110 | 3.3 | 2.9 | 4.0 | 4.0' | 87 | 4.2 | 2.6 | 6.0 | 4.0' | 295 | 2.1 | 1.8 | 2.0 |
| | 10.0' | 116 | 2.9 | 2.9 | 10.0' | 64 | 4.3 | 3.7 | 5.0 | 5.0' | 58 | 5.2 | 3.2 | 8.0 | 5.0' | 205 | 2.5 | 2.2 | 3.0 |
| | 12.5' | 74 | 3.6 | 3.6 | 12.5' | 44 | 5.1 | 4.5 | 7.0 | 6.0' | 42 | 6.2 | 3.6 | 9.0 | 6.0' | 162 | 2.8 | 2.5 | 3.0 |
| Narrow Flood | 5.0' | 247 | 1.9 | 1.9 | 5.0' | 133 | 2.9 | 2.7 | 3.0 | 3.0' | 97 | 3.7 | 2.4 | 4.0 | 3.0' | 280 | 2.1 | 1.8 | 2.0 |
| | 7.5' | 110 | 3.0 | 3.0 | 7.5' | 67 | 4.0 | 3.6 | 4.0 | 4.0' | 57 | 4.8 | 3.1 | 5.0 | 4.0' | 201 | 2.4 | 2.2 | 2.0 |
| | 10.0' | 62 | 3.9 | 3.9 | 10.0' | 40 | 5.2 | 4.6 | 5.0 | 5.0' | 39 | 5.7 | 3.6 | 7.0 | 5.0' | 131 | 3.0 | 2.7 | 3.0 |
| | 12.5' | 40 | 5.0 | 5.0 | 12.5' | 26 | 6.4 | 5.7 | 6.0 | 6.0' | 28 | 6.9 | 4.3 | 8.0 | 6.0' | 99 | 3.4 | 3.0 | 3.0 |
| Flood | 5.0' | 168 | 2.5 | 2.5 | 5.0' | 86 | 3.6 | 3.2 | 2.0 | 3.0' | 70 | 3.9 | 2.9 | 4.0 | 3.0' | 194 | 2.4 | 2.2 | 2.0 |
| | 7.5' | 72 | 3.7 | 3.7 | 7.5' | 42 | 5.0 | 4.6 | 4.0 | 4.0' | 43 | 5.1 | 3.5 | 5.0 | 4.0' | 138 | 2.8 | 2.7 | 2.0 |
| | 10.0' | 40 | 5.0 | 5.0 | 10.0' | 25 | 6.5 | 5.9 | 5.0 | 5.0' | 28 | 6.2 | 4.4 | 6.0 | 5.0' | 87 | 3.6 | 3.2 | 2.0 |
| | 12.5' | 25 | 6.3 | 6.3 | 12.5' | 16 | 8.2 | 7.4 | 6.0 | 6.0' | 20 | 7.5 | 5.2 | 7.0 | 6.0' | 65 | 4.0 | 3.7 | 3.0 |
| Wide Flood | 5.0' | 113 | 3.0 | 3.0 | 5.0' | 71 | 3.9 | 3.5 | 2.0 | 3.0' | 60 | 4.1 | 3.1 | 3.0 | 3.0' | 156 | 2.7 | 2.5 | 2.0 |
| | 7.5' | 50 | 4.5 | 4.5 | 7.5' | 34 | 5.5 | 5.1 | 3.0 | 4.0' | 36 | 5.3 | 3.9 | 4.0 | 4.0' | 110 | 3.1 | 3.0 | 2.0 |
| | 10.0' | 28 | 6.0 | 6.0 | 10.0' | 19 | 7.4 | 6.8 | 5.0 | 5.0' | 24 | 6.4 | 4.8 | 5.0 | 5.0' | 72 | 3.9 | 3.5 | 2.0 |
| | 12.5' | 18 | 7.5 | 7.5 | 12.5' | 13 | 9.1 | 8.4 | 6.0 | 6.0' | 17 | 7.7 | 5.7 | 7.0 | 6.0' | 52 | 4.5 | 4.2 | 3.0 |

PROJECT:

TYPE:

DIMMING COMPATIBILITY:

Amerlux[®] Hornet fixtures are compatible with all major dimming protocols prevalent in the United States. Please see below for general compatibilities and wiring diagrams. Amerlux recommends testing your unique dimming configuration as the exact full configuration (Dimmer, Fixture Quantity, Voltage, etc) may affect dimming performance.

--- NOTE: INFORMATION BELOW IS FOR WIRED DIMMERS ONLY. FOR WIRELESS DIMMERS, CONSULT FACTORY ---

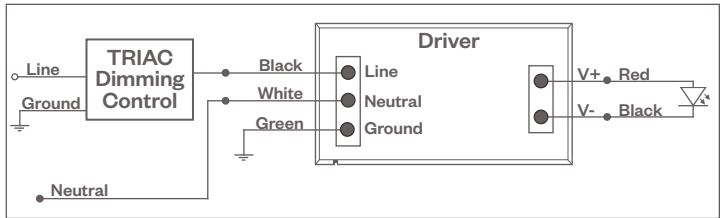
TRIAC (Forward Phase) DIMMING (Standard)

Utilizes standard TRIAC dimmers that are in wide use in installations across the US. Best for retrofit applications where TRIAC dimmers are installed.

Notes:

- 120VAC or 277VAC*
- Dims down to 5% light output (most cases)
- Consult Dimming manufacturer for installation instructions - DO NOT SHARE NEUTRALS!
- Must meet dimmer Minimum Load Requirements per dimming manufacturer

TRIAC Wiring Diagram



Compatible Dimmers†:

| Wall Box (TRIAC 120VAC) | Central System |
|-------------------------|----------------------|
| Lutron "Diva" | Lutron "GP" Panel |
| Lutron "Nova-T" | Lutron Grafik Eye QS |
| Lutron "Maestro" | |
| Lutron "Skylark" | |

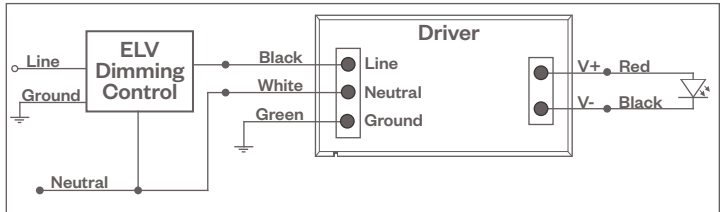
ELV - Electronic Low Voltage (Reverse Phase) DIMMING (Standard)

Utilizes specialized "ELV" dimmers.

Notes:

- 120VAC or 277VAC*
- Dims down to 5% light output (most cases)
- Consult Dimming manufacturer for installation instructions - DO NOT SHARE NEUTRALS!
- Must meet dimmer Minimum Load Requirements

ELV Wiring Diagram



Compatible Dimmers†:

| Wall Box (ELV 120VAC) | Wall Box (ELV 277VAC) | Central System |
|-----------------------|---------------------------|--|
| Lutron "Diva" | Leviton Revoir II AWSMT-E | Lutron "GP" Panel with PHPM-PA 120/277VAC |
| Lutron "Nova-T" | | Lutron Grafik Eye QS with PHPM-PA 120/277VAC |
| Lutron "Maestro" | | |
| Lutron "Skylark" | | |
| Leviton "Surslide" | | |
| Leviton "Vizio" | | |

Notes:

- * Driver is 277VAC dimmable with appropriate dimmer (by others). All provided wiring diagrams show 120VAC wiring colors and method. Please refer to 277VAC dimmer manufacturer installation instructions for 277VAC wiring diagrams.
- † The absence of a dimmer from the lists above does not imply incompatibility. Please consult factory for compatibility inquiries.

PROJECT:

TYPE:

DIMMING COMPATIBILITY:

Amerlux[®] Hornet fixtures are compatible with all major dimming protocols prevalent in the United States. Please see below for general compatibilities and wiring diagrams. Amerlux recommends testing your unique dimming configuration as the exact full configuration (Dimmer, Fixture Quantity, Voltage, etc) may affect dimming performance.

--- NOTE: INFORMATION BELOW IS FOR WIRED DIMMERS ONLY. FOR WIRELESS DIMMERS, CONSULT FACTORY ---

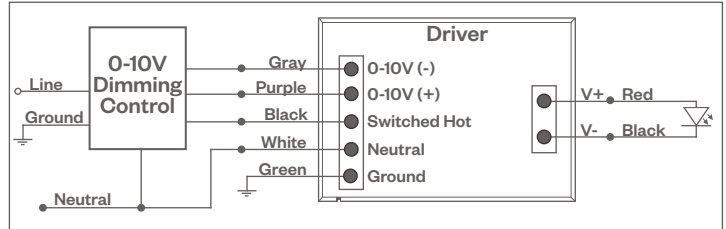
0-10V DIMMING

Integrates into a variety of building management and daylighting controls

Notes:

- 120VAC or 277VAC*
- Dims down to 1% light output
- Requires interface to turn off power to driver
- Consult Dimming manufacturer for installation instructions - DO NOT SHARE NEUTRALS!

0-10V Wiring Diagram



Compatible Dimmers*:

Wall Box

Lutron "Diva" - DVSTV | Leviton Renoir II 0-10V

Central System

Lutron Grafik Eye with GRX-TV1 Interface

LUTRON LDE1 DIMMING

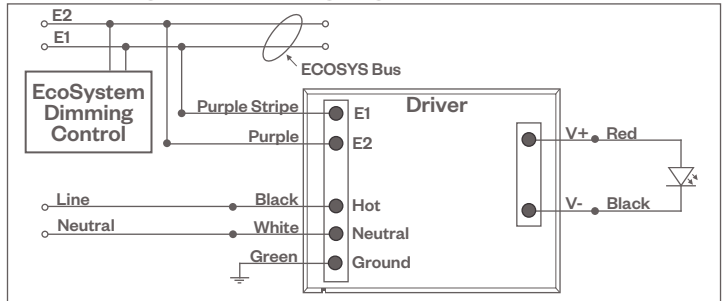
Integrates into Lutron EcoSystem building management

Notes:

- 120VAC or 277VAC*
- Dims down to 1% Soft-On/Fade-to-Black
- EcoSystem Control
- Consult Dimming manufacturer for installation instructions - DO NOT SHARE NEUTRALS!

Lutron LDE1 (HILUME-H-ECO)

EcoSystem Digital Control Wiring Diagram



Compatible Dimmers*:

Lutron ECO System

Pow Pak Dimming Modules
Energj Savr Node
Grafik Eye QS/Homeworks
QS Control Unit
Quantum Hub
Homeworks QS/My Room

Central System

Lutron EcoSystem compatible controls

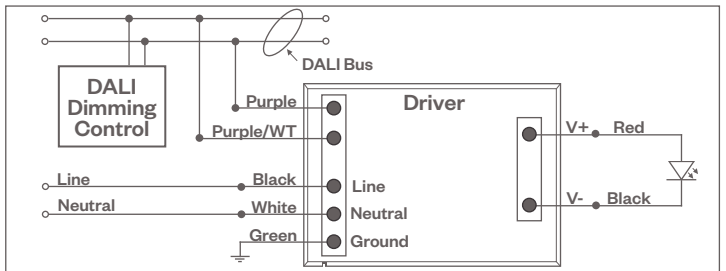
DALI DIMMING

Digital control protocol allows individual fixture control

Notes:

- 120VAC - 277VAC*
- Dims down to 1% light output in most cases

DALI Wiring Diagram



Compatible Dimmers*:

Wall Box (3-Wire Fluorescent)

Leviton CD250 Controller

Central System

Dynalite
Fifth Light

Notes:

- * Driver is 277VAC dimmable with appropriate dimmer (by others). All provided wiring diagrams show 120VAC wiring colors and method. Please refer to 277VAC dimmer manufacturer installation instructions for 277VAC wiring diagrams.
- † The absence of a dimmer from the lists above does not imply incompatibility. Please consult factory for compatibility inquiries.

PROJECT:

TYPE:

EMERGENCY DIMMING

Wiring Diagram

