

CYLINDRIX® III

INTERNATIONAL RECESSED TRIMLESS MULTIPLE 3LT LED

I-C3RTLX-A14-3
3LT LED

APPLICATION:

Retail & commercial accent & display lighting

CONSTRUCTION:

Die-cast aluminum heat sink and lamp housing
Formed steel upper housing and mounting frame
Steel plaster frame
Powder coat paint, custom colors available, consult factory
Passive cooled

ELECTRICAL:

Electronic constant current LED driver, 240v input
ELV and Triac dimming standard

This product complies with IEEE C62.41 for surge endurance up to 2.5KV. Amerlux® recommends using additional surge protection with this unit (supplied by others), surge damage is not covered by warranty.

MOUNTING:

For use in sheet rock ceilings

OPTICS:

LED cluster
Color Temp Options: 2700K, 3000K, 3500K, 4000K
CRI: 83 typ. (2700K, 3000K, 3500K, 4000K)
90+ typ. (2700K, 3000K)
CrispWhite LED available
R9 Values: 11 (83CRI), 55 (90+CRI)
Life: 50,000 hrs
Lumen Output per head (31W): SP 2,345; FL 2,227; WF 2,264
CBCP per head (31W): SP 18,677; FL 8,683; WF 4,223
LPW: Up to 75 lpw
0-45° x 25° tilt, 360° rotation
Beam Options: Spot 15°, Flood 25°, Wide Flood 40°
Field interchangeable spun aluminum reflectors

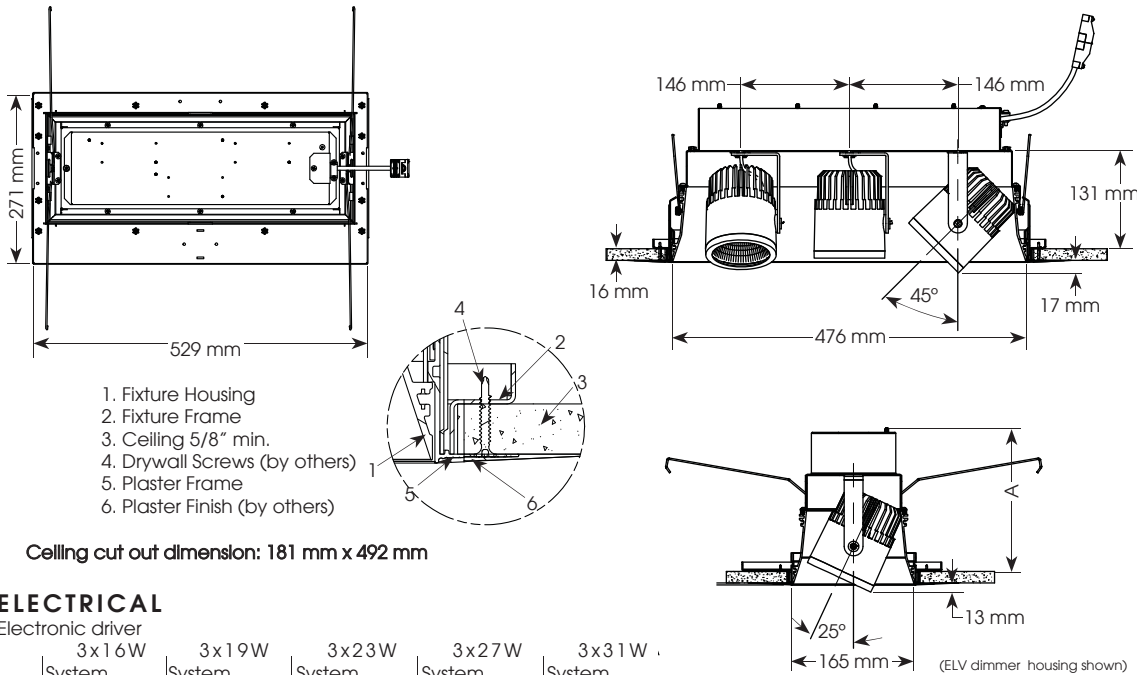
LABELING:

CE
For indoor use only



PROJECT:

TYPE:



Electrostatic sensitive device, observe precautions for handling



ELECTRICAL

Electronic driver

	3x16W		3x19W		3x23W		3x27W		3x31W	
	System Watts	System Amps	System Watts	System Amps	System Watts	System Amps	System Watts	System Amps	System Watts	System Amps
240v	48	0.20	57	0.24	69	0.29	81	0.34	93	0.39

Dimmer	A
ELV	194
DALI	218

ORDERING INFORMATION:

Model	# Heads	Wattage	Lamp Type	Housing/ Head Finish	Voltage	Beam Spread			Color Temp (CCT(K)-CRI)	Listing Code	Options/ Accessories
						Head 1	Head 2	Head 3			
I-C3RTLX-A14	3	16	LED	WT - white texture	220-240	SP	SP	SP	27 - 2700-83	CE	HEX - hexcell louver SL - linear spread lens, requires snoot CL - clear glass lens SOL - solite beam softening lens SN - snoot, 3/4" deep (required when more than 1 accessory is used) CB - cross blade, requires snoot DALI - DALI driver
		19				FL	FL	FL	30 - 3000-83		
		23				WF	WF	WF	35 - 3500-83		
		27				SP - spot, 15°			40 - 4000-83		
		31				FL - flood, 25°			279 - 2700-90+		
		WF - wide flood, 40°				309 - 3000-90+					
		— (other RAL)				CRISP - CrispWhite					

Example: I-C3RTLX-A14-3-31-LED-WT-220-240-FL-FL-FL-30-CE

Cat #:

Amerlux reserves the right to change details that do not affect overall function and performance.



3 year limited warranty
AMERLUX INTERNATIONAL

(see website for details)

CYLINDRIX® III

INTERNATIONAL RECESSED TRIMLESS MULTIPLE 3LT LED

I-C3RTLX-A14-3
3LT LED



TYPE:



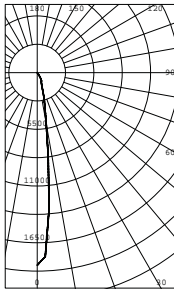
FIXTURE DATA: Multiplying Factors: 0.52 for 16W; 0.61 for 19W; 0.74 for 23W; 0.87 for 27W

Complete photometric data (ies format) available upon request.

Note: Data per head

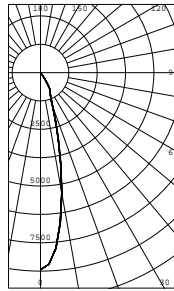
31W LED 3000K-83

SPOT
DISTRIBUTION
LTL # 851724



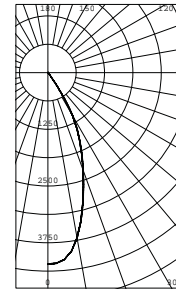
Candelas at Nadir	
Deg	Candela
0	18677
5	13251
15	2560
25	952
35	228
45	12

FLOOD
DISTRIBUTION
LTL # 851725



Candelas at Nadir	
Deg	Candela
0	8683
5	7773
15	3031
25	1009
35	253
45	20

WIDE FLOOD
DISTRIBUTION
LTL # 851726

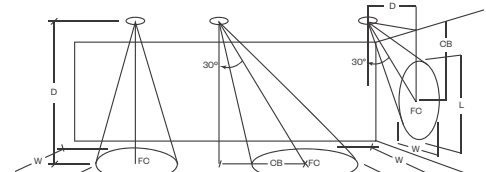


Candelas at Nadir	
Deg	Candela
0	4223
5	4139
15	2980
25	1658
35	323
45	26

APPLICATION DATA:

Notes and Definitions:

Beam spread is to 50% center beam candlepower (CBCP).
 D=Distance to floor or wall.
 FC=Footcandles on floor or wall at center beam aiming location.
 L=Effective Visual Beam length in feet (50% of maximum footcandle level).
 W=Effective Visual Beam width in feet (50% of maximum footcandle level).
 CB=Distance across or down to center beam location.



0° Aiming Angle
Horizontal
Footcandles



30° Aiming Angle
Horizontal
Footcandles



30° Aiming Angle
Vertical
Footcandles



60° Aiming Angle
Vertical
Footcandles

	0° Aiming Angle Horizontal Footcandles				30° Aiming Angle Horizontal Footcandles					30° Aiming Angle Vertical Footcandles					60° Aiming Angle Vertical Footcandles				
	D	FC	L	W	D	FC	L	W	CB	D	FC	L	W	CB	D	FC	L	W	CB
SPOT	5.0'	745	1.3	1.3	5.0'	463	1.7	1.4	3.0	3.0'	279	2.9	1.4	5.0	3.0'	1010	1.4	1.1	2.0
	7.5'	332	1.7	1.7	7.5'	221	2.4	2.0	4.0	4.0'	168	3.7	1.7	6.0	4.0'	723	1.5	1.2	2.0
	10.0'	187	2.6	2.6	10.0'	116	3.4	3.0	5.0	5.0'	108	4.3	2.4	8.0	5.0'	465	1.7	1.4	3.0
	12.5'	120	3.1	3.1	12.5'	79	4.0	3.5	7.0	6.0'	75	5.3	2.8	9.0	6.0'	322	2.2	1.6	3.0
FLOOD	5.0'	347	2.1	2.1	5.0'	217	2.8	2.5	3.0	3.0'	168	3.6	2.1	4.0	3.0'	524	2.2	1.4	2.0
	7.5'	154	3.2	3.2	7.5'	104	3.9	3.5	4.0	4.0'	93	4.7	2.9	5.0	4.0'	369	2.1	1.8	2.0
	10.0'	87	4.1	4.1	10.0'	59	5.2	4.7	5.0	5.0'	60	5.8	3.6	7.0	5.0'	218	2.8	2.5	3.0
	12.5'	56	5.2	5.2	12.5'	38	6.6	5.8	6.0	6.0'	42	7.1	4.3	8.0	6.0'	164	3.2	2.9	3.0
WIDE FLOOD	5.0'	169	3.4	3.4	5.0'	126	3.9	3.6	2.0	3.0'	118	3.6	3.0	3.0	3.0'	335	2.5	2.2	1.0
	7.5'	76	5.1	5.1	7.5'	56	5.9	5.4	3.0	4.0'	67	4.7	4.0	4.0	4.0'	189	3.3	3.1	2.0
	10.0'	43	6.8	6.8	10.0'	32	8.0	7.3	4.0	5.0'	43	6.1	5.0	5.0	5.0'	127	4.0	3.6	2.0
	12.5'	27	8.5	8.5	12.5'	20	10.0	9.2	5.0	6.0'	30	7.4	6.0	6.0	6.0'	84	5.0	4.6	3.0