

CYLINDRIX® III

INTERNATIONAL RECESSED TRIMLESS MULTIPLE 2LT LED

I-C3RTLX-A14-2
2LT LED

APPLICATION:

Retail & commercial accent & display lighting

CONSTRUCTION:

Die-cast aluminum heat sink and lamp housing
Formed steel upper housing and mounting frame
Steel plaster frame
Passive cooled
Powder coat paint, custom colors available, consult factory

ELECTRICAL:

Electronic constant current LED driver, 240v input
ELV and Triac dimming standard

This product complies with IEEE C62.41 for surge endurance up to 2.5KV. Amerlux® recommends using additional surge protection with this unit (supplied by others), surge damage is not covered by warranty.

MOUNTING:

For use in sheet rock ceilings

OPTICS:

LED cluster
Color Temp Options: 2700K, 3000K, 3500K, 4000K
CRI: 83 typ. (2700K, 3000K, 3500K, 4000K)
90+ typ. (2700K, 3000K)
CrispWhite LED available
R9 Values: 11 (83CRI), 55 (90+CRI)
Life: 50,000 hrs
Lumen Output per head (31W): SP 2,345; FL 2,227; WF 2,264
CBCP per head (31W): SP 18,677; FL 8,683; WF 4,223
LPW: Up to 75 lpw
0-45° x 25° tilt, 360° rotation
Beam Options: Spot 15°, Flood 25°, Wide Flood 40°
Field interchangeable spun aluminum reflectors

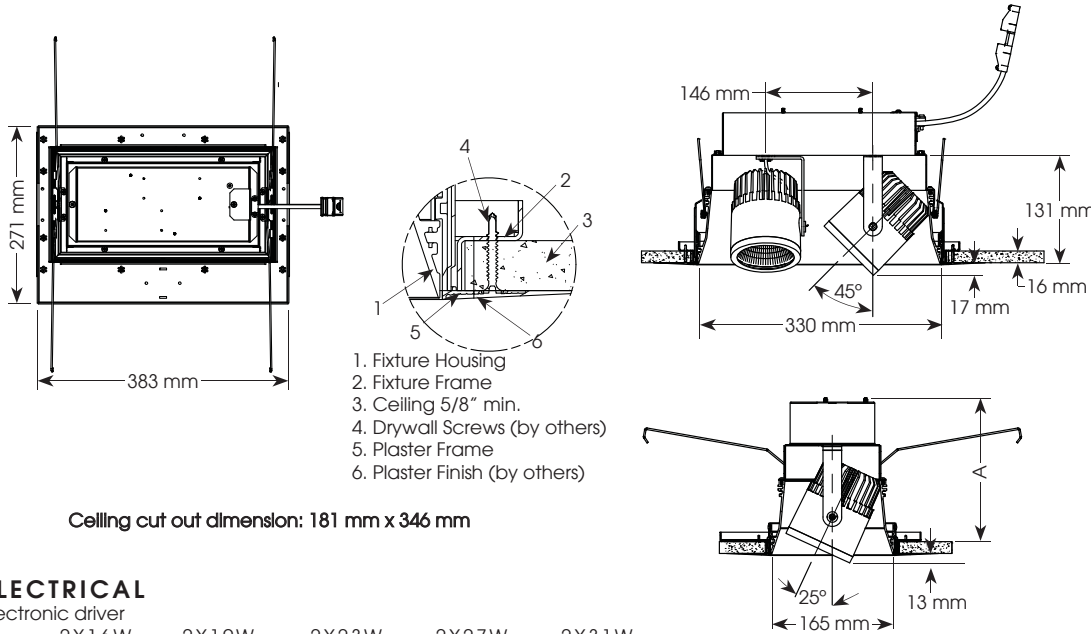
LABELING:

CE pending
For indoor use only



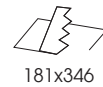
PROJECT:

TYPE:



Ceiling cut out dimension: 181 mm x 346 mm


Electrostatic sensitive device,
observe precautions for
handling



ELECTRICAL

Electronic driver

240v	2X16W		2X19W		2X23W		2X27W		2X31W	
	System	Watts Amps	System	Watts Amps	System	Watts Amps	System	Watts Amps	System	Watts Amps
	32	0.13	38	0.16	46	0.20	54	0.23	62	0.26

(ELV dimmer housing shown)

Dimmer	A
ELV	194
DALI	218

ORDERING INFORMATION:

Model	# Heads	Wattage	Lamp Type	Housing/ Head Finish	Voltage	Beam Spread Head 1 Head 2	Color Temp (CCT(K)-CRI)	Listing Code	Options/Accessories
I-C3RTLX-A14	2	16	LED	WT - white texture	220-240	SP SP	27 - 2700-83	CE	HEX - hexcell louver
		19				FL FL	30 - 3000-83		SL - linear spread lens, requires snoot
		23				WF WF	35 - 3500-83		CL - clear glass lens
		27				SP - spot, 15°	40 - 4000-83		SOL - solite beam softening lens
		31				FL - flood, 25°	279 - 2700-90+		SN - snoot, 3/4" deep (required when more than 1 accessory is used)
		WF - wide flood, 40°	309 - 3000-90+	CB - cross blade, requires snoot					
		(other RAL)	CRISP - CrispWhite	DALI - DALI driver					

Example: I-C3RTLX-A14-2-31-LED-WT-220-240-FL-FL-30-CE

Cat #:

Amerlux reserves the right to change details that do not affect overall function and performance.



CYLINDRIX® III

INTERNATIONAL RECESSED TRIMLESS MULTIPLE 2LT LED

I-C3R-A14-2
2LT LED



TYPE:



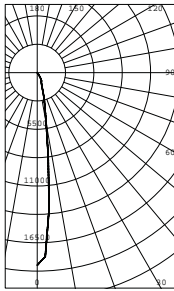
FIXTURE DATA: Multiplying Factors: 0.52 for 16W; 0.61 for 19W; 0.74 for 23W; 0.87 for 27W

Complete photometric data (ies format) available upon request.

Note: Data per head

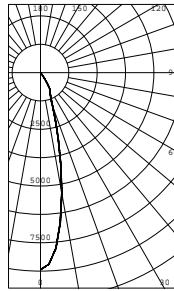
31W LED 3000K-83

SPOT
DISTRIBUTION
LTL # 851724



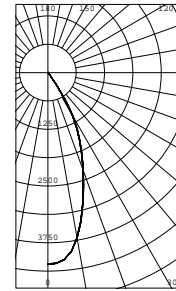
Candelas at Nadir	
Deg	Candela
0	18677
5	13251
15	2560
25	952
35	228
45	12

FLOOD
DISTRIBUTION
LTL # 851725



Candelas at Nadir	
Deg	Candela
0	8683
5	7773
15	3031
25	1009
35	253
45	20

WIDE FLOOD
DISTRIBUTION
LTL # 851726

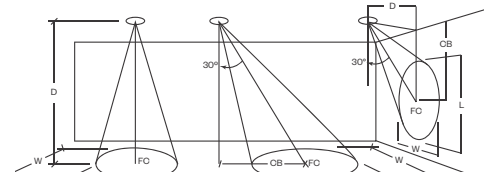


Candelas at Nadir	
Deg	Candela
0	4223
5	4139
15	2980
25	1658
35	323
45	26

APPLICATION DATA:

Notes and Definitions:

Beam spread is to 50% center beam candlepower (CBCP).
 D=Distance to floor or wall.
 FC=Footcandles on floor or wall at center beam aiming location.
 L=Effective Visual Beam length in feet (50% of maximum footcandle level).
 W=Effective Visual Beam width in feet (50% of maximum footcandle level).
 CB=Distance across or down to center beam location.



0° Aiming Angle
Horizontal
Footcandles



30° Aiming Angle
Horizontal
Footcandles



30° Aiming Angle
Vertical
Footcandles



60° Aiming Angle
Vertical
Footcandles

	0° Aiming Angle Horizontal Footcandles				30° Aiming Angle Horizontal Footcandles					30° Aiming Angle Vertical Footcandles					60° Aiming Angle Vertical Footcandles				
	D	FC	L	W	D	FC	L	W	CB	D	FC	L	W	CB	D	FC	L	W	CB
SPOT	5.0'	745	1.3	1.3	5.0'	463	1.7	1.4	3.0	3.0'	279	2.9	1.4	5.0	3.0'	1010	1.4	1.1	2.0
	7.5'	332	1.7	1.7	7.5'	221	2.4	2.0	4.0	4.0'	168	3.7	1.7	6.0	4.0'	723	1.5	1.2	2.0
	10.0'	187	2.6	2.6	10.0'	116	3.4	3.0	5.0	5.0'	108	4.3	2.4	8.0	5.0'	465	1.7	1.4	3.0
	12.5'	120	3.1	3.1	12.5'	79	4.0	3.5	7.0	6.0'	75	5.3	2.8	9.0	6.0'	322	2.2	1.6	3.0
FLOOD	5.0'	347	2.1	2.1	5.0'	217	2.8	2.5	3.0	3.0'	168	3.6	2.1	4.0	3.0'	524	2.2	1.4	2.0
	7.5'	154	3.2	3.2	7.5'	104	3.9	3.5	4.0	4.0'	93	4.7	2.9	5.0	4.0'	369	2.1	1.8	2.0
	10.0'	87	4.1	4.1	10.0'	59	5.2	4.7	5.0	5.0'	60	5.8	3.6	7.0	5.0'	218	2.8	2.5	3.0
	12.5'	56	5.2	5.2	12.5'	38	6.6	5.8	6.0	6.0'	42	7.1	4.3	8.0	6.0'	164	3.2	2.9	3.0
WIDE FLOOD	5.0'	169	3.4	3.4	5.0'	126	3.9	3.6	2.0	3.0'	118	3.6	3.0	3.0	3.0'	335	2.5	2.2	1.0
	7.5'	76	5.1	5.1	7.5'	56	5.9	5.4	3.0	4.0'	67	4.7	4.0	4.0	4.0'	189	3.3	3.1	2.0
	10.0'	43	6.8	6.8	10.0'	32	8.0	7.3	4.0	5.0'	43	6.1	5.0	5.0	5.0'	127	4.0	3.6	2.0
	12.5'	27	8.5	8.5	12.5'	20	10.0	9.2	5.0	6.0'	30	7.4	6.0	6.0	6.0'	84	5.0	4.6	3.0