

# CYLINDRIX® III

## INTERNATIONAL MULTIPLE RECESSED 2LT LED

I-C3R-A14-2  
2LT LED

### APPLICATION:

Retail & commercial accent & display lighting

### CONSTRUCTION:

Die-cast aluminum heat sink and lamp housing  
Laser cut steel flange  
Formed steel upper housing  
Powder coat paint, custom colors available, consult factory  
Passive cooled

### ELECTRICAL:

Electronic constant current LED driver, 240v input  
ELV and Triac dimming standard

**This product complies with IEEE C62.41 for surge endurance up to 2.5KV. Amerlux® recommends using additional surge protection with this unit (supplied by others), surge damage is not covered by warranty.**

### MOUNTING:

Swing out lugs permit from below mounting into ceiling

### OPTICS:

LED cluster

Color Temp Options: 2700K, 3000K, 3500K, 4000K

CRI: 83 typ. (2700K, 3000K, 3500K, 4000K)

90+ typ. (2700K, 3000K)

CrispWhite LED available

R9 Values: 11 (83CRI), 55 (90+CRI)

Life: 50,000 hrs

Lumen Output per head (31W): SP 2,345; FL 2,227; WF 2,264

CBCP per head (31W): SP 18,677; FL 8,683; WF 4,223

LPW: Up to 75 lpw

0-45° x 45° tilt, 360° rotation

Beam Options: Spot 15°, Flood 25°, Wide Flood 40°

Field interchangeable spun aluminum reflectors

### LABELING:

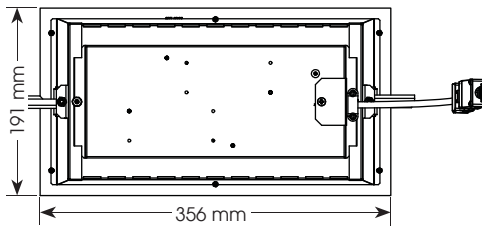
CE pending

For indoor use only

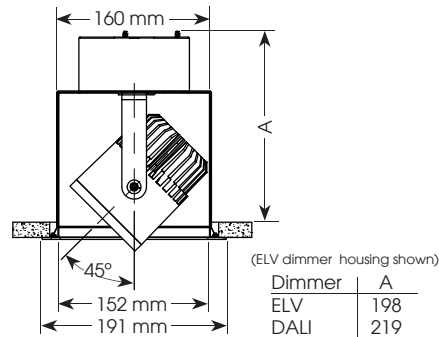
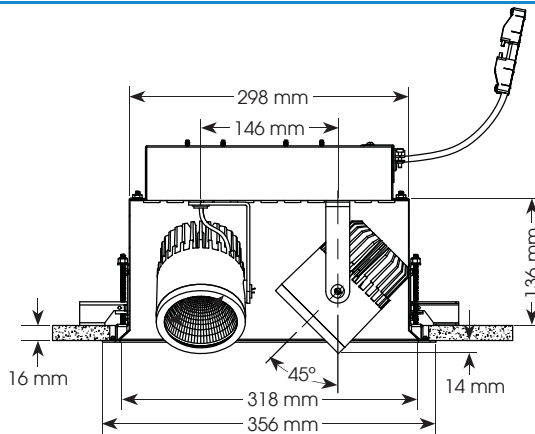


PROJECT:

TYPE:



Ceiling cut out dimension: 176 mm x 340 mm



(ELV dimmer housing shown)

Dimmer	A
ELV	198
DALI	219

  
Electrostatic sensitive device,  
observe precautions for  
handling



### ELECTRICAL

Electronic driver

240v	2X16W		2X19W		2X23W		2X27W		2X31W	
	System	Watts Amps	System	Watts Amps	System	Watts Amps	System	Watts Amps	System	Watts Amps
	32	0.13	38	0.16	46	0.20	54	0.23	62	0.26

### ORDERING INFORMATION:

Model	# Heads	Wattage	Lamp Type	Housing/ Head Finish	Voltage	Beam Spread	Head 1	Head 2	Trim Ring Finish	Color Temp (CCT(K)-CRI)	Listing Code	Options/ Accessories
I-C3R-A14	2	16	LED	WT - white texture	220-240	SP	SP		WT - white texture	27 - 2700-83	CE	HEX - hexcell louver
		19		BT - black texture		FL	FL			30 - 3000-83		SL - linear spread lens, requires snoot
		23		ST - silver texture		WF	WF			35 - 3500-83		CL - clear glass lens
		27		— (other RAL)						40 - 4000-83		SOL - solite beam softening lens
		31				SP - spot, 15°				279 - 2700-90+		SN - snoot, 3/4" deep (required when more than 1 accessory is used)
						FL - flood, 25°				309 - 3000-90+		CB - cross blade, requires snoot
						WF - wide flood, 40°				CRISP - CrispWhite		DALI - DALI driver

Example: I-C3R-A14-2-31-LED-WT-220-240-FL-FL-WT-30-CE

Cat #:

Amerlux reserves the right to change details that do not affect overall function and performance.

# CYLINDRIX® III

INTERNATIONAL MULTIPLE RECESSED 2LT LED

I-C3R-A14-2  
2LT LED



TYPE:



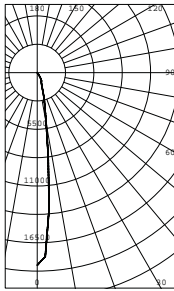
**FIXTURE DATA:** Multiplying Factors: 0.52 for 16W; 0.61 for 19W; 0.74 for 23W; 0.87 for 27W

Complete photometric data (ies format) available upon request.

Note: Data per head

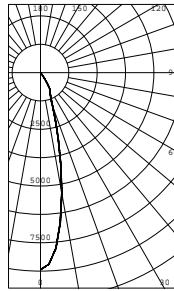
## 31W LED 3000K-83

SPOT  
DISTRIBUTION  
LTL # 851724



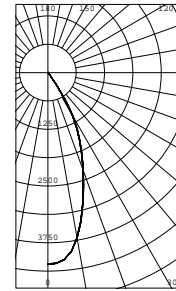
Candelas at Nadir	
Deg	Candela
0	18677
5	13251
15	2560
25	952
35	228
45	12

FLOOD  
DISTRIBUTION  
LTL # 851725



Candelas at Nadir	
Deg	Candela
0	8683
5	7773
15	3031
25	1009
35	253
45	20

WIDE FLOOD  
DISTRIBUTION  
LTL # 851726

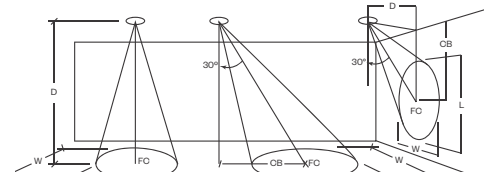


Candelas at Nadir	
Deg	Candela
0	4223
5	4139
15	2980
25	1658
35	323
45	26

## APPLICATION DATA:

### Notes and Definitions:

Beam spread is to 50% center beam candlepower (CBCP).  
 D=Distance to floor or wall.  
 FC=Footcandles on floor or wall at center beam aiming location.  
 L=Effective Visual Beam length in feet (50% of maximum footcandle level).  
 W=Effective Visual Beam width in feet (50% of maximum footcandle level).  
 CB=Distance across or down to center beam location.



	0° Aiming Angle Horizontal Footcandles				30° Aiming Angle Horizontal Footcandles					30° Aiming Angle Vertical Footcandles					60° Aiming Angle Vertical Footcandles				
	D	FC	L	W	D	FC	L	W	CB	D	FC	L	W	CB	D	FC	L	W	CB
SPOT	5.0'	745	1.3	1.3	5.0'	463	1.7	1.4	3.0	3.0'	279	2.9	1.4	5.0	3.0'	1010	1.4	1.1	2.0
	7.5'	332	1.7	1.7	7.5'	221	2.4	2.0	4.0	4.0'	168	3.7	1.7	6.0	4.0'	723	1.5	1.2	2.0
	10.0'	187	2.6	2.6	10.0'	116	3.4	3.0	5.0	5.0'	108	4.3	2.4	8.0	5.0'	465	1.7	1.4	3.0
	12.5'	120	3.1	3.1	12.5'	79	4.0	3.5	7.0	6.0'	75	5.3	2.8	9.0	6.0'	322	2.2	1.6	3.0
FLOOD	5.0'	347	2.1	2.1	5.0'	217	2.8	2.5	3.0	3.0'	168	3.6	2.1	4.0	3.0'	524	2.2	1.4	2.0
	7.5'	154	3.2	3.2	7.5'	104	3.9	3.5	4.0	4.0'	93	4.7	2.9	5.0	4.0'	369	2.1	1.8	2.0
	10.0'	87	4.1	4.1	10.0'	59	5.2	4.7	5.0	5.0'	60	5.8	3.6	7.0	5.0'	218	2.8	2.5	3.0
	12.5'	56	5.2	5.2	12.5'	38	6.6	5.8	6.0	6.0'	42	7.1	4.3	8.0	6.0'	164	3.2	2.9	3.0
WIDE FLOOD	5.0'	169	3.4	3.4	5.0'	126	3.9	3.6	2.0	3.0'	118	3.6	3.0	3.0	3.0'	335	2.5	2.2	1.0
	7.5'	76	5.1	5.1	7.5'	56	5.9	5.4	3.0	4.0'	67	4.7	4.0	4.0	4.0'	189	3.3	3.1	2.0
	10.0'	43	6.8	6.8	10.0'	32	8.0	7.3	4.0	5.0'	43	6.1	5.0	5.0	5.0'	127	4.0	3.6	2.0
	12.5'	27	8.5	8.5	12.5'	20	10.0	9.2	5.0	6.0'	30	7.4	6.0	6.0	6.0'	84	5.0	4.6	3.0