

# CYLINDRIX® III

INTERNATIONAL MULTIPLE RECESSED 1LT LED

I-C3R-A14-1  
1LT LED

**APPLICATION:**

Retail & commercial accent & display lighting

**CONSTRUCTION:**

Die-cast aluminum heat sink and lamp housing  
Laser cut steel flange  
Formed steel upper housing  
Powder coat paint, custom colors available, consult factory  
Passive cooled

**ELECTRICAL:**

Electronic constant current LED driver, 240v input  
ELV and Triac dimming standard

**This product complies with IEEE C62.41 for surge endurance up to 2.5KV. Amerlux® recommends using additional surge protection with this unit (supplied by others), surge damage is not covered by warranty.**

**MOUNTING:**

Swing out lugs permit from below mounting into ceiling

**OPTICS:**

LED cluster  
Color Temp Options: 2700K, 3000K, 3500K, 4000K  
CRI: 83 typ. (2700K, 3000K, 3500K, 4000K)  
90+ typ. (2700K, 3000K)  
CrispWhite LED available  
R9 Values: 11 (83CRI), 55 (90+CRI)  
Life: 50,000 hrs  
Lumen Output (31W): SP 2,345; FL 2,227; WF 2,264  
CBCP (31W): SP 18,677; FL 8,683; WF 4,223  
LPW: Up to 75 lpw  
0-45° tilt, 360° rotation  
Beam Options: Spot 15°, Flood 25°, Wide Flood 40°  
Field interchangeable spun aluminum reflectors

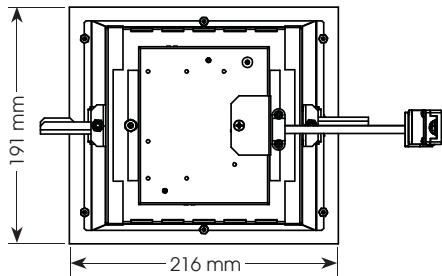
**LABELING:**

CE pending  
For indoor use only

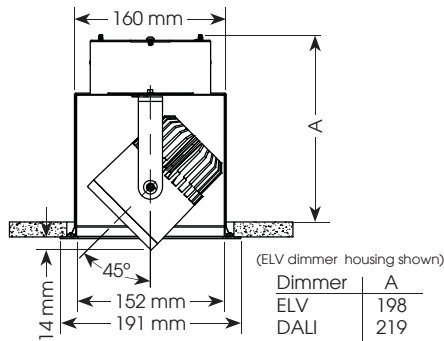
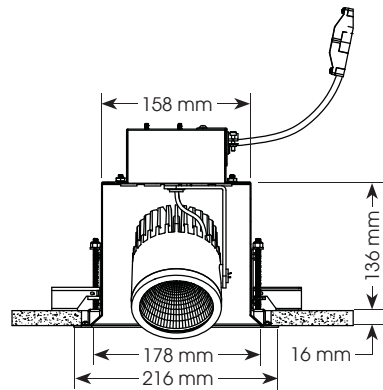


**PROJECT:**

**TYPE:**



Ceiling cut out dimension: 176 mm x 200 mm



Electrostatic sensitive device, observe precautions for handling

176x200      45°

**ELECTRICAL**

Electronic driver

240v	16W		19W		23W		27W		31W	
	System Watts	Amps	System Watts	Amps	System Watts	Amps	System Watts	Amps	System Watts	Amps
	16	0.07	19	0.08	23	0.10	27	0.11	31	0.13

**ORDERING INFORMATION:**

Model	# Heads	Wattage	Lamp Type	Housing/ Head Finish	Voltage	Beam Spread	Trim Ring Finish	Color Temp (CCT(K)-CRI)	Listing Code	Options/ Accessories
I-C3R-A14	1	16 19 23 27 31	LED	WT - white texture BT - black texture ST - silver texture — (other RAL)	220-240	SP - spot, 15° FL - flood, 25° WF - wide flood, 40°	WT - white texture	27 - 2700-83 30 - 3000-83 35 - 3500-83 40 - 4000-83 279 - 2700-90+ 309 - 3000-90+ CRISP - CrispWhite	CE	HEX - hexcell louver SL - linear spread lens, requires snoot CL - clear glass lens SOL - solite beam softening lens SN - snoot, 3/4" deep (required when more than 1 accessory is used) CB - cross blade, requires snoot DALI - DALI driver

Example: I-C3R-A14-1-31-LED-WT-220-240-FL-WT-30-CE

Cat #:

Amerlux reserves the right to change details that do not affect overall function and performance.



**3** year limited warranty  
AMERLUX INTERNATIONAL  
(see website for details)

# CYLINDRIX® III

INTERNATIONAL MULTIPLE RECESSED 1LT LED

I-C3R-A14-1  
1LT LED



TYPE:

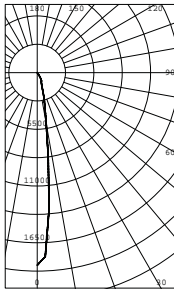


**FIXTURE DATA:** Multiplying Factors: 0.52 for 16W; 0.61 for 19W; 0.74 for 23W; 0.87 for 27W

Complete photometric data (ies format) available upon request.

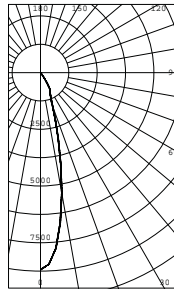
## 31W LED 3000K-83

SPOT  
DISTRIBUTION  
LTL # 851724



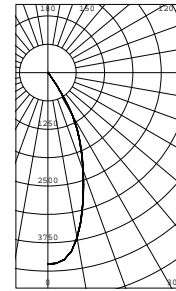
Candelas at Nadir	
Deg	Candela
0	18677
5	13251
15	2560
25	952
35	228
45	12

FLOOD  
DISTRIBUTION  
LTL # 851725



Candelas at Nadir	
Deg	Candela
0	8683
5	7773
15	3031
25	1009
35	253
45	20

WIDE FLOOD  
DISTRIBUTION  
LTL # 851726

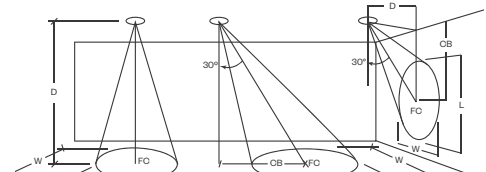


Candelas at Nadir	
Deg	Candela
0	4223
5	4139
15	2980
25	1658
35	323
45	26

## APPLICATION DATA:

### Notes and Definitions:

Beam spread is to 50% center beam candlepower (CBCP).  
 D=Distance to floor or wall.  
 FC=Footcandles on floor or wall at center beam aiming location.  
 L=Effective Visual Beam length in feet (50% of maximum footcandle level).  
 W=Effective Visual Beam width in feet (50% of maximum footcandle level).  
 CB=Distance across or down to center beam location.



0° Aiming Angle  
Horizontal  
Footcandles



30° Aiming Angle  
Horizontal  
Footcandles



30° Aiming Angle  
Vertical  
Footcandles



60° Aiming Angle  
Vertical  
Footcandles

	0° Aiming Angle Horizontal Footcandles				30° Aiming Angle Horizontal Footcandles					30° Aiming Angle Vertical Footcandles					60° Aiming Angle Vertical Footcandles				
	D	FC	L	W	D	FC	L	W	CB	D	FC	L	W	CB	D	FC	L	W	CB
SPOT	5.0'	745	1.3	1.3	5.0'	463	1.7	1.4	3.0	3.0'	279	2.9	1.4	5.0	3.0'	1010	1.4	1.1	2.0
	7.5'	332	1.7	1.7	7.5'	221	2.4	2.0	4.0	4.0'	168	3.7	1.7	6.0	4.0'	723	1.5	1.2	2.0
	10.0'	187	2.6	2.6	10.0'	116	3.4	3.0	5.0	5.0'	108	4.3	2.4	8.0	5.0'	465	1.7	1.4	3.0
	12.5'	120	3.1	3.1	12.5'	79	4.0	3.5	7.0	6.0'	75	5.3	2.8	9.0	6.0'	322	2.2	1.6	3.0
FLOOD	5.0'	347	2.1	2.1	5.0'	217	2.8	2.5	3.0	3.0'	168	3.6	2.1	4.0	3.0'	524	2.2	1.4	2.0
	7.5'	154	3.2	3.2	7.5'	104	3.9	3.5	4.0	4.0'	93	4.7	2.9	5.0	4.0'	369	2.1	1.8	2.0
	10.0'	87	4.1	4.1	10.0'	59	5.2	4.7	5.0	5.0'	60	5.8	3.6	7.0	5.0'	218	2.8	2.5	3.0
	12.5'	56	5.2	5.2	12.5'	38	6.6	5.8	6.0	6.0'	42	7.1	4.3	8.0	6.0'	164	3.2	2.9	3.0
WIDE FLOOD	5.0'	169	3.4	3.4	5.0'	126	3.9	3.6	2.0	3.0'	118	3.6	3.0	3.0	3.0'	335	2.5	2.2	1.0
	7.5'	76	5.1	5.1	7.5'	56	5.9	5.4	3.0	4.0'	67	4.7	4.0	4.0	4.0'	189	3.3	3.1	2.0
	10.0'	43	6.8	6.8	10.0'	32	8.0	7.3	4.0	5.0'	43	6.1	5.0	5.0	5.0'	127	4.0	3.6	2.0
	12.5'	27	8.5	8.5	12.5'	20	10.0	9.2	5.0	6.0'	30	7.4	6.0	6.0	6.0'	84	5.0	4.6	3.0