

Cylindrix® III Mini

Pendant/Surface Multiples



Features

Cylindrix III Mini Pendant Multiples perform beautifully, punching through higher ambient light with strong output making them perfect for retail applications. Designed for use in open or closed ceiling applications as an alternate to Pendant Track, Cylindrix III Mini Pendant Multiples are ideal for delivering great performance, energy efficiency, and maximum control over where and how you want to place light. And they switch from recessed to semi-recessed to meet any aiming requirement.

Product Overview

Type:	Pendant Multiple, Accent & Display
Wattage:	15W, 18W*, 21W (h*VNSP only)
Color Temp:	2200K, 2700K, 3000K, 3500K, 4000K
CRI:	83 typ. (2700K, 3000K, 3500K, 4000K) 90+ typ. (2200K, 2700K, 3000K, 3500K) CrispWhite & 3K Class A LED's available
Dimming:	TRIAC & ELV (120/277VAC) - 5% Dim Lutron Hi-lume® H Series/EcoSystem - 1% dim with soft on, fade to black, 120/277VAC 0-10V (120/277VAC) - 1% Dim DALI (120/277VAC) - 1% Dim



2 Light Pendant Straight Multiple

PROJECT:

PRODUCT DISCONTINUED



3 Light Pendant Straight Multiple



3 Light Pendant Curved Multiple

Fixture Summary (see following pages for more information)

Performance Chart

Watts	Delivered Lumens	CBCP	Color Temp
15	1,508	9,415	3000K-83
18*	1,096	24,308	3000K-83
21	2,125	13,260	3000K-83

*Note: 18W is VNSP only

Data is based on 3000K-83 120v IES files available on website
15W & 21W data is based on Very Narrow Flood optics
18W data is Very Narrow Spot optic only
See pg 10-11 for beam spreads



Cylindrix® III Mini

Pendant/Surface Multiples



PROJECT:

TYPE:

Ordering Information



- 1** Model
C3M-PM (pendant straight multiple)
C3M-PCM (pendant curved multiple)

- 2** # of Heads

Straight	Curved
1	2
2	3
3	
4	

- 3** Mounting
ASW10 - aircraft cable through ceiling tile or gyp board, white, 10'
ASW20 - aircraft cable through ceiling tile or gyp board, white, 20'
ASB10 - aircraft cable through ceiling tile or gyp board, black, 10'
ASB20 - aircraft cable through ceiling tile or gyp board, black, 20'
ASW10T - aircraft cable over ceiling tee, white, 10'
ASW20T - aircraft cable over ceiling tee, white, 20'
ASB10T - aircraft cable over ceiling tee, black, 10'
ASB20T - aircraft cable over ceiling tee, black, 20'
RSW4* - rigid stem, white, 4' (field cuttable)
RSW8* - rigid stem, white, 8' (field cuttable)
RSB4* - rigid stem, black, 4' (field cuttable)
RSB8* - rigid stem, black, 8' (field cuttable)
SM^o - surface mount
CDSM^o - conduit surface mount
**For custom length, consult factory*
^oNot available for curved multiples

- 4** Circuiting
1 - single circuit
2 - dual circuit (middle head(s) on secondary circuit)

- 5** Wattage
15
18 (VNSP only)
21

- 6** Housing Finish
WT - white texture
BT - black texture
ST - silver texture
WT/MB - white texture exterior/matte black interior
ST/MB - silver texture exterior/matte black interior

- 7** Voltage
120-277

- 8** Head Finish
WT - white texture
BT - black texture
ST - silver texture

- 9** Beam Spreads

1LT	2LT	3LT	4LT	
VNSP	VNSP	VNSP	VNSP	(very narrow spot 8°, 18W only)
SP	SP	SP	SP	(spot 14°)
VNF	VNF	VNF	VNF	(very narrow flood 18°)
NF	NF	NF	NF	(narrow flood 23°)
FL	FL	FL	FL	(flood 34°)
WF	WF	WF	WF	(wide flood 44°)
LS	LS	LS	LS	(linear spread 60°x10°)

- 10** Color Temp

83 CRI:		90+ CRI:	
27 - 2700K-83	229 - 2200K-90+	CRISP - CrispWhite	
30 - 3000K-83	279 - 2700K-90+	(not available for VNSP)	
35 - 3500K-83	309 - 3000K-90+	3CLA - 3K Class A	
40 - 4000K-83	359 - 3500K-90+		
	409 - 4000K-90+		

- 11** Driver (for non-dimming select LE/TE option)
LE/TE - TRIAC/ELV dimming, 5% dim (standard)
HILUME-H-ECO - Lutron Hi-lume® H Series, EcoSystem, 1% dim with soft on, fade to black
0-10V - 0-10V dimming, 1% dim
DALI - EidoLED, 1% dim

- 12** Options/Accessories
(standard front door accepts up to 2 accessories)
SN - snoot, 1" length, matte black interior, exterior finish matches fixture finish, accepts up to 2 accessories + cross blade)
HEX - hexcell louver
CB - cross blade, matte black finish (requires snoot)
SOL - solite beam softening lens

Cylindrix® III Mini

Pendant/Surface Multiples



PROJECT:

TYPE:

Specifications

Application

Retail, commercial and hospitality accent and display lighting

Construction

Extruded Fixture Body (Roll formed for curved version)
Cast Corner Pieces
Stamped Steel top panel
Complete die-cast optical head construction

Optical

Changeability from Recessed to Semi-Recessed in field
Tilt: 0-35° Recessed, 0-50° Semi-Recessed
Rotation: 360°+
Beam Spreads: Very Narrow Spot, 8° (18w only); Spot, 14°;
Very Narrow Flood, 18°; Narrow Flood, 23°; Flood, 34°;
Wide Flood, 44°; Linear Spread, 60° x 10°

LED

Color Temp Options:

2200K, 2700K, 3000K, 3500K, 4000K

CRI: 83 typ. (2700K, 3000K, 3500K, 4000K)

90+ typ. (2200K, 2700K, 3000K, 3500K)

CrispWhite* LED available

Class A** 3000K LED available

R9 Values: 11 (83 CRI), 55 (90+ CRI)

Binning: 3 MacAdam (SDCM)

Life: 50,000+ hrs, > 70% of initial lumens at 50,000 hrs

**CrispWhite: CrispWhite Technology delivers the warmth of colors expected from a high 90 CRI solution but also creates the natural crisp white color similar to CMH sources. It creates impactful lighting by revealing the richest whites and vibrant colors that pop.*

***Class A LED: Class A LED's have a CRI > 80 and a GAI > 80. CRI defines color "Naturalness" and GAI defines color "Saturation." Both being high delivers rich colors and pure whites.*

Electrical

Wattage: 15, 18, 21

Electronic constant current LED driver, 120V-277V input

This product complies with IEEE C62.41 for surge endurance up to 2.5KV. Amerlux® recommends using additional surge protection with this unit (supplied by others), surge and over voltage damage is not covered under warranty.

Note: For EM fixture - remote EM inverter by others

Drivers

LE/TE - Leading Edge, TRIAC, forward phase/Trailing Edge, ELV, reverse phase

0-10V, Lutron and DALI systems also available

See pages 11-12 for more dimming information

Finish

Powder coat paint

Consult Factory for custom finishes

Mounting

2-Point Aircraft Cable with adjustable balance connector

Rigid Stem (field cuttable)

Surface Mount & Conduit Surface Mount available

Certifications

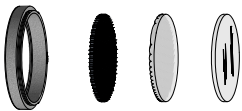
CSA listed to UL standards. Suitable for damp locations

Indoor use only

Warranty

5 year limited warranty

Accessories (diagrams show installation order)



Front door/Accessory holder, hexocell, linear spread lens, solite lens



Snoot accessory holder, cross blade, hexocell, linear spread lens, solite lens

Cylindrix® III Mini

Pendant/Surface Multiples



PROJECT:

TYPE:

Electrical Data

1 Light

	1 x 15W		1 x 18W		1 x 21W	
	System Watts	Amps	System Watts	Amps	System Watts	Amps
120V	15	0.13	18	0.15	21	0.18
277V	15	0.05	18	0.06	21	0.08

Electronic constant current LED driver

2 Light

	2 x 15W		2 x 18W		2 x 21W	
	System Watts	Amps	System Watts	Amps	System Watts	Amps
120V	30	0.25	36	0.30	42	0.35
277V	30	0.11	36	0.13	42	0.15

Electronic constant current LED driver

3 Light

	3 x 15W		3 x 18W		3 x 21W	
	System Watts	Amps	System Watts	Amps	System Watts	Amps
120V	45	0.38	54	0.45	63	0.53
277V	45	0.16	54	0.19	63	0.23

Electronic constant current LED driver

4 Light

	4 x 15W		4 x 18W		4 x 21W	
	System Watts	Amps	System Watts	Amps	System Watts	Amps
120V	60	0.50	72	0.60	84	0.70
277V	60	0.22	72	0.26	84	0.30

Electronic constant current LED driver

Cylindrix® III Mini

Pendant/Surface Multiples

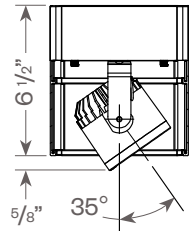


PROJECT:

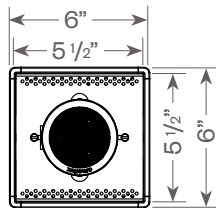
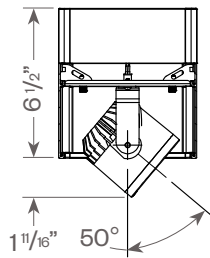
TYPE:

Cylindrix III Mini Pendant Multiples: 1 Light Straight

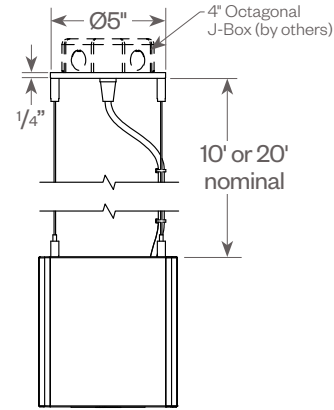
Recessed



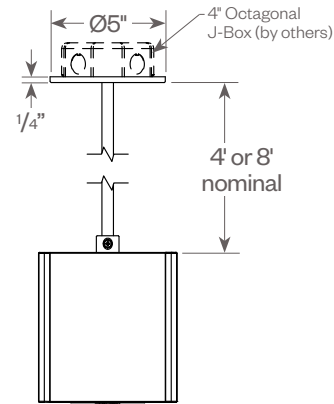
Semi-Recessed



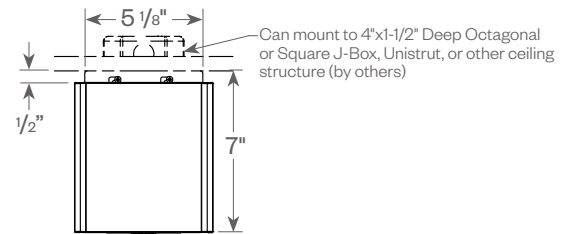
Aircraft Cable Suspension



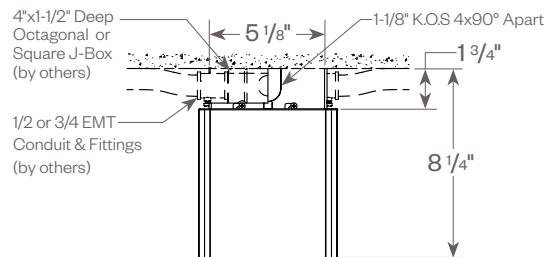
Rigid Stem Mounting



Surface Mount



Conduit Surface Mount



Cylindrix® III Mini

Pendant/Surface Multiples



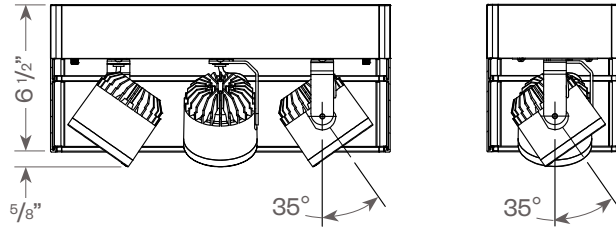
C3M Pendant Multiples

PROJECT:

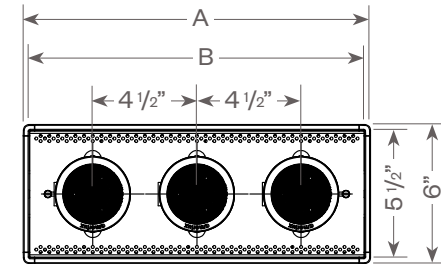
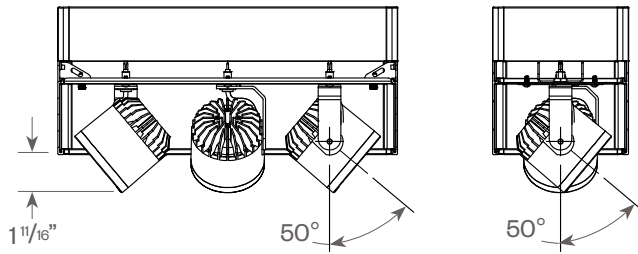
TYPE:

Cylindrix III Mini Pendant Multiples: 2-4 Lights Straight

Recessed

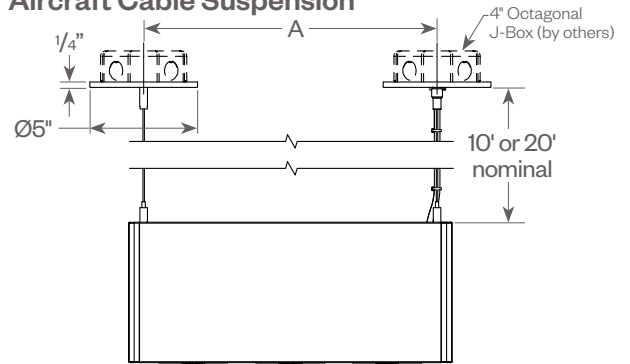


Semi-Recessed



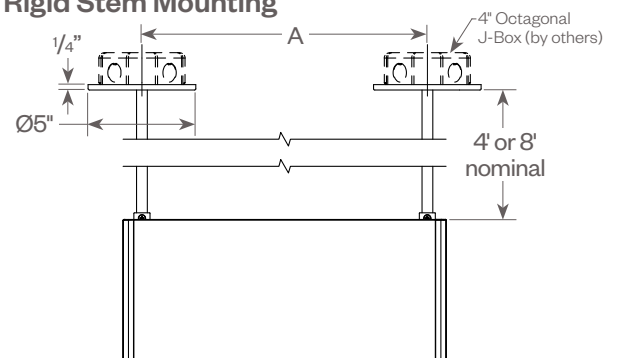
	2 Light	3 Light	4 Light
A	10 1/2"	15"	19 1/2"
B	10"	14 1/2"	19"

Aircraft Cable Suspension



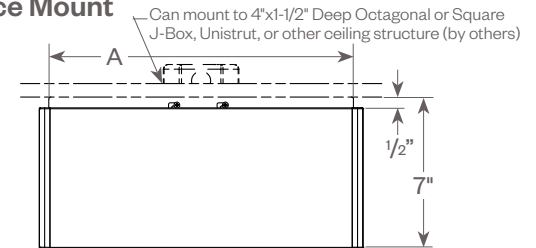
	2 Light	3 Light	4 Light
A	9 1/8"	13 5/8"	18 1/8"

Rigid Stem Mounting



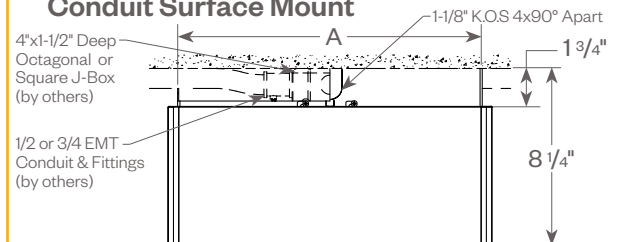
	2 Light	3 Light	4 Light
A	8 3/4"	13 1/4"	17 3/4"

Surface Mount



	2 Light	3 Light	4 Light
A	9 5/8"	14 1/8"	18 5/8"

Conduit Surface Mount



	2 Light	3 Light	4 Light
A	9 5/8"	14 1/8"	18 5/8"

Cylindrix® III Mini

Pendant/Surface Multiples

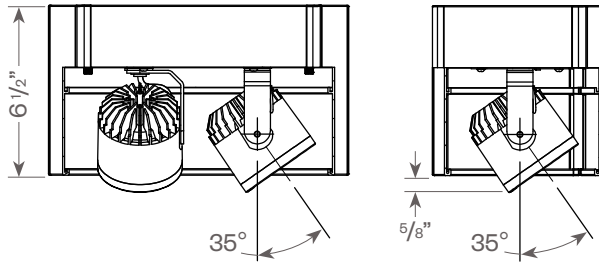


PROJECT:

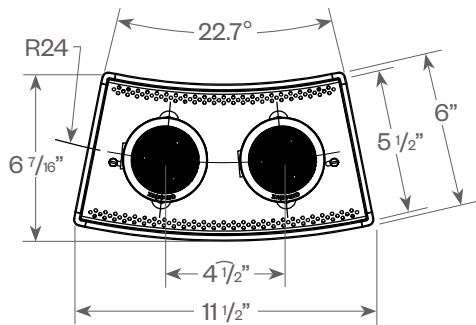
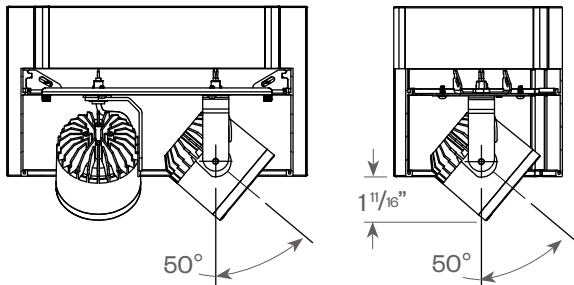
TYPE:

Cylindrix III Mini Pendant Multiples: 2 Light Curved

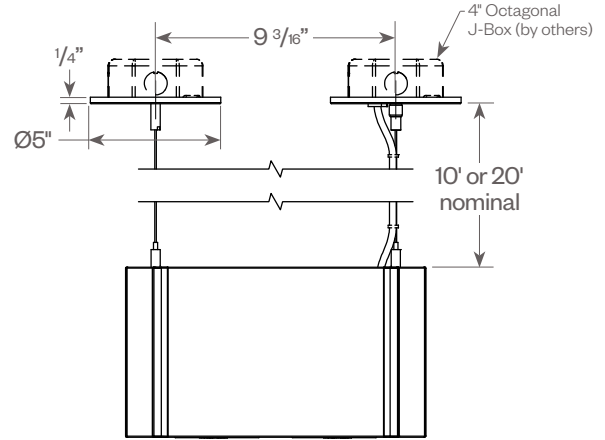
Recessed



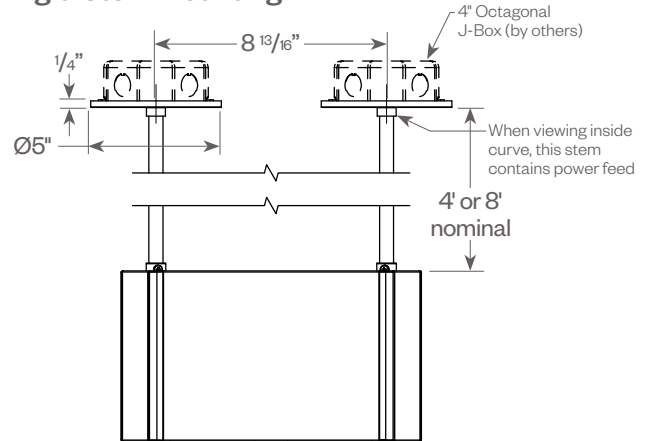
Semi-Recessed



Aircraft Cable Suspension



Rigid Stem Mounting



Cylindrix® III Mini

Pendant/Surface Multiples

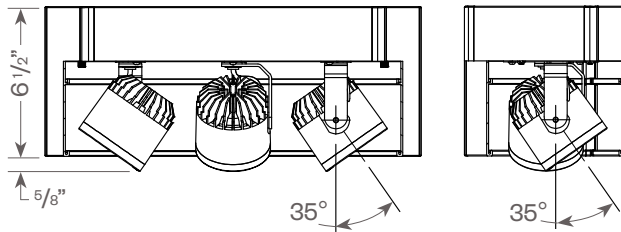


PROJECT:

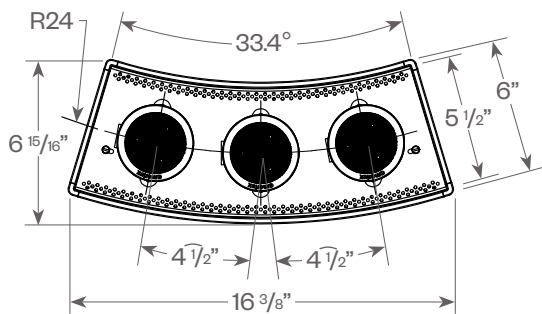
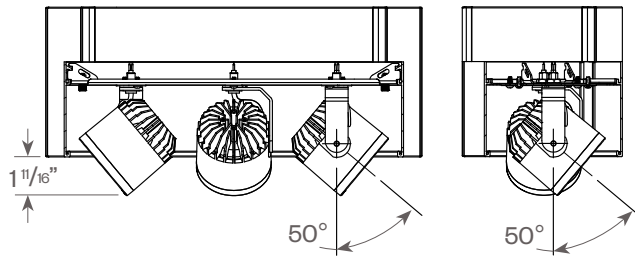
TYPE:

Cylindrix III Mini Pendant Multiples: 3 Light Curved

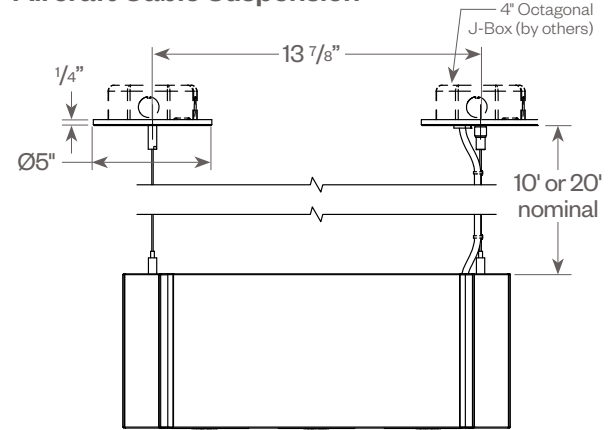
Recessed



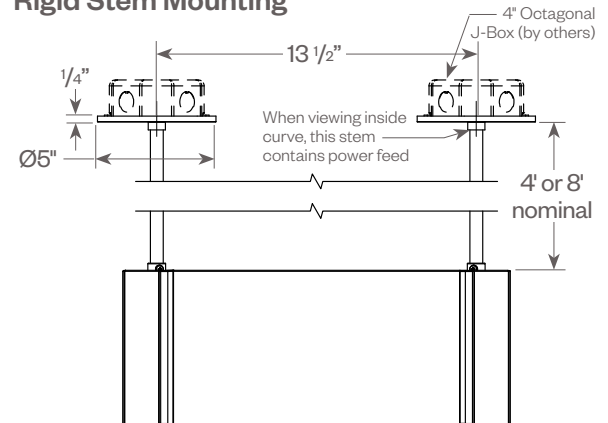
Semi-Recessed



Aircraft Cable Suspension



Rigid Stem Mounting



Cylindrix® III Mini

Pendant/Surface Multiples



PROJECT:

TYPE:

FIXTURE DATA: (Complete photometric data (.ies format) available upon request)

MULTIPLYING FACTORS: (Multiplying Factor is based on 3000K-83 120V IES file on website)

Wattage:	15W	21W
Factor:	0.71	1.0

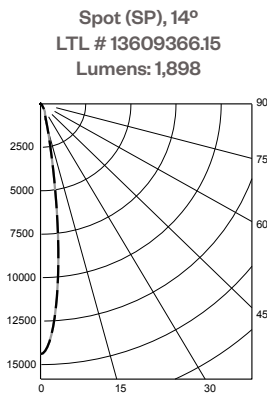
Note: For 18W (VNSP only) data see pg 10

CCT:	2700K-83	3000K-83	3500K-83	4000K-83
Factor:	0.96	1.0	1.02	1.04

CCT:	2200K-90+	2700K-90+	3000K-90+	3500K-90+	4000K-90+	CRISP*	3CLA
Factor:	0.66	0.83	0.86	0.90	0.93	0.65	0.70

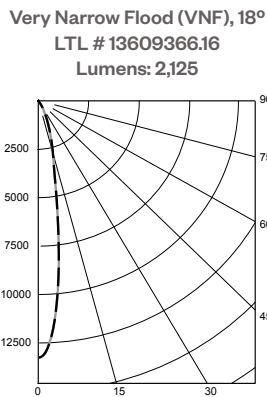
21W LED, 3000K-83

Note: Data per head



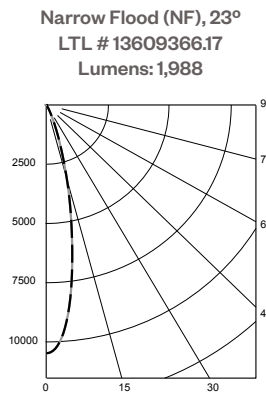
Candelas at Nadir

Deg	Candela
0	14400
5	10490
15	1426
25	560
35	233
45	110



Candelas at Nadir

Deg	Candela
0	13260
5	10300
15	2656
25	810
35	136
45	33



Candelas at Nadir

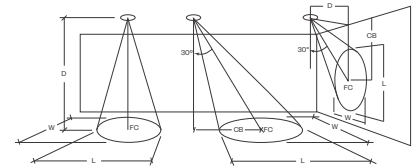
Deg	Candela
0	10480
5	9150
15	2963
25	453
35	86
45	47

Note: For FL & WF data see pg 10

APPLICATION DATA:

Notes and Definitions:

- Beam spread is to 50% center beam candlepower (CBCP).
- D=Distance to floor or wall.
- FC=Footcandles on floor or wall at center beam aiming location.
- L=Effective Visual Beam length in feet (50% of maximum footcandle level).
- W=Effective Visual Beam width in feet (50% of maximum footcandle level).
- CB=Distance across or down to center beam location.



	0° Aiming Angle Horizontal Footcandles				30° Aiming Angle Horizontal Footcandles					30° Aiming Angle Vertical Footcandles					60° Aiming Angle Vertical Footcandles				
	D	FC	L	W	D	FC	L	W	CB	D	FC	L	W	CB	D	FC	L	W	CB
SPOT	5.0'	575	1.2	1.2	5.0'	371	1.6	1.4	3.0	3.0'	216	2.8	1.4	5.0	3.0'	779	1.3	1.1	2.0
	7.5'	256	1.9	1.9	7.5'	166	2.5	2.2	4.0	4.0'	130	3.5	1.8	6.0	4.0'	555	1.5	1.2	2.0
	10.0'	144	2.7	2.7	10.0'	92	3.4	3.0	6.0	5.0'	82	4.3	2.5	8.0	5.0'	361	1.8	1.4	3.0
	12.5'	93	3.2	3.2	12.5'	61	4.1	3.6	7.0	6.0'	58	5.2	2.9	9.0	6.0'	247	2.2	1.6	3.0
VERY NARROW FLOOD	5.0'	531	1.4	1.4	5.0'	342	1.9	1.5	3.0	3.0'	200	3.4	1.6	5.0	3.0'	745	1.5	1.2	2.0
	7.5'	236	2.2	2.2	7.5'	155	2.9	2.6	4.0	4.0'	124	4.1	2.1	6.0	4.0'	529	1.7	1.3	2.0
	10.0'	133	3.0	3.0	10.0'	85	3.9	3.4	6.0	5.0'	77	5.2	2.9	7.0	5.0'	333	2.1	1.6	3.0
	12.5'	85	3.6	3.6	12.5'	57	4.7	4.1	7.0	6.0'	56	6.2	3.2	9.0	6.0'	235	2.4	1.9	3.0
NARROW FLOOD	5.0'	420	1.8	1.8	5.0'	271	2.5	2.2	3.0	3.0'	193	3.2	1.8	4.0	3.0'	628	1.9	1.3	2.0
	7.5'	187	2.9	2.9	7.5'	126	3.5	3.2	4.0	4.0'	105	4.5	2.8	6.0	4.0'	443	1.9	1.6	2.0
	10.0'	105	3.7	3.7	10.0'	71	4.8	4.2	5.0	5.0'	70	5.4	3.3	7.0	5.0'	265	2.6	2.2	3.0
	12.5'	67	4.7	4.7	12.5'	45	6.0	5.4	7.0	6.0'	49	6.6	3.9	8.0	6.0'	197	2.9	2.6	3.0

Cylindrix® III Mini

Pendant/Surface Multiples



C3M Pendant Multiples

PROJECT:

TYPE:

FIXTURE DATA: (Complete photometric data (.ies format) available upon request)

MULTIPLYING FACTORS: (Multiplying Factor is based on 3000K-83 120V IES file on website)

Wattage:	15W	21W
Factor:	0.71	1.0

CCT:	2700K-83	3000K-83	3500K-83	4000K-83
Factor:	0.96	1.0	1.02	1.04

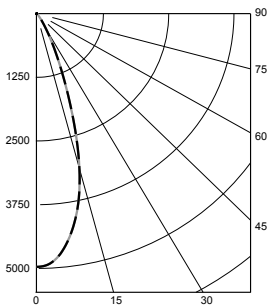
CCT:	2200K-90+	2700K-90+	3000K-90+	3500K-90+	4000K-90+	CRISP*	3CLA
Factor:	0.66	0.83	0.86	0.90	0.93	0.65	0.70

* Not available for use with 18W

21W LED, 3000K-83

Note: Data per head

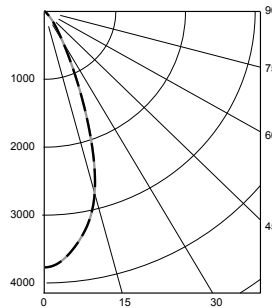
Flood (FL), 34°
LTL # 13609366.18
Lumens: 1,960



Candelas at Nadir

Deg	Candela
0	4970
5	4780
15	3130
25	913
35	193
45	55

Wide Flood (WF), 44°
LTL # 13609366.19
Lumens: 1,930



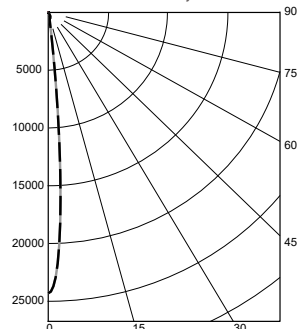
Candelas at Nadir

Deg	Candela
0	3771
5	3624
15	2758
25	1034
35	308
45	101

Note: For SP, VNF, NF data see pg 10

18W LED, 3000K (VNSP only)

Very Narrow Spot (VNSP), 8°
LTL #1170140
Lumens: 1,096



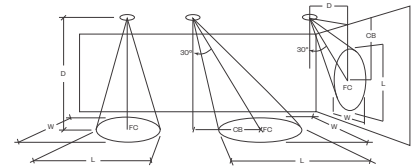
Candelas at Nadir

Deg	Candela
0	24308
5	8980
15	527
25	394
35	131
45	57

APPLICATION DATA:

Notes and Definitions:

- Beam spread is to 50% center beam candlepower (CBCP).
- D=Distance to floor or wall.
- FC=Footcandles on floor or wall at center beam aiming location.
- L=Effective Visual Beam length in feet (50% of maximum footcandle level).
- W=Effective Visual Beam width in feet (50% of maximum footcandle level).
- CB=Distance across or down to center beam location.



	0° Aiming Angle Horizontal Footcandles				30° Aiming Angle Horizontal Footcandles					30° Aiming Angle Vertical Footcandles					60° Aiming Angle Vertical Footcandles				
	D	FC	L	W	D	FC	L	W	OB	D	FC	L	W	OB	D	FC	L	W	OB
FLOOD	5.0'	199	3.0	3.0	5.0'	141	3.5	3.1	2.0	3.0'	124	3.3	2.7	3.0	3.0'	372	2.2	1.8	1.0
	7.5'	89	4.4	4.4	7.5'	63	5.2	4.8	3.0	4.0'	70	4.5	3.4	4.0	4.0'	221	2.9	2.7	2.0
	10.0'	50	5.8	5.8	10.0'	36	6.9	6.4	4.0	5.0'	45	5.6	4.4	5.0	5.0'	143	3.5	3.1	2.0
	12.5'	32	7.3	7.3	12.5'	23	8.6	8.0	6.0	6.0'	32	6.8	5.2	7.0	6.0'	98	4.2	3.9	3.0
WIDE FLOOD	5.0'	151	3.2	3.2	5.0'	110	3.8	3.5	2.0	3.0'	109	3.2	2.7	3.0	3.0'	303	2.3	2.0	1.0
	7.5'	67	5.0	5.0	7.5'	49	5.6	5.4	3.0	4.0'	62	4.2	3.6	4.0	4.0'	167	3.1	3.0	2.0
	10.0'	38	6.6	6.6	10.0'	28	7.5	7.3	4.0	5.0'	40	5.3	4.6	5.0	5.0'	111	3.8	3.5	2.0
	12.5'	25	8.3	8.3	12.5'	18	9.5	9.1	5.0	6.0'	28	6.5	5.5	6.0	6.0'	76	4.6	4.5	2.0
18W only VNSP	5.0'	967	1.0	1.0	5.0'	624	1.0	1.0	3.0	3.0'	360	1.5	1.0	5.0	3.0'	983	1.0	1.0	2.0
	7.5'	431	1.1	1.1	7.5'	251	1.8	1.1	4.0	4.0'	185	2.4	1.1	7.0	4.0'	729	1.1	1.0	2.0
	10.0'	243	1.3	1.3	10.0'	153	2.1	1.6	6.0	5.0'	129	2.7	1.2	8.0	5.0'	600	1.1	1.0	3.0
	12.5'	156	1.8	1.8	12.5'	102	2.4	2.2	7.0	6.0'	90	3.3	1.6	10.0	6.0'	325	1.9	1.0	3.0

Cylindrix® III Mini

Pendant/Surface Multiples



PROJECT:

TYPE:

DIMMING COMPATIBILITY:

Amerlux® Cylindrix fixtures are compatible with all major dimming protocols prevalent in the United States. Please see below for general compatibilities and wiring diagrams. Amerlux recommends testing your unique dimming configuration as the exact full configuration (Dimmer, Fixture Quantity, Voltage, etc) may affect dimming performance.

--- NOTE: INFORMATION BELOW IS FOR WIRED DIMMERS ONLY. FOR WIRELESS DIMMERS, CONSULT FACTORY ---

TRIAC (Forward Phase) DIMMING (Standard)

Utilizes standard TRIAC dimmers that are in wide use in installations across the US. Best for retrofit applications where TRIAC dimmers are installed.

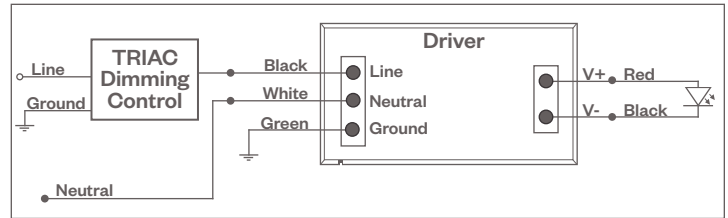
Notes:

- 120VAC or 277VAC*
- Dims down to 5% light output (most cases)
- Consult Dimming manufacturer for installation instructions - DO NOT SHARE NEUTRALS!
- Must meet dimmer Minimum Load Requirements per dimming manufacturer

Compatible Dimmers†:

Wall Box (TRIAC 120VAC)	Central System
Lutron "Diva"	Lutron "GP" Panel
Lutron "Nova-T"	Lutron Grafik Eye QS
Lutron "Maestro"	
Lutron "Vareo"	
Lutron "Skylark"	

TRIAC Wiring Diagram



ELV - Electronic Low Voltage (Reverse Phase) DIMMING (Standard)

Utilizes specialized "ELV" dimmers.

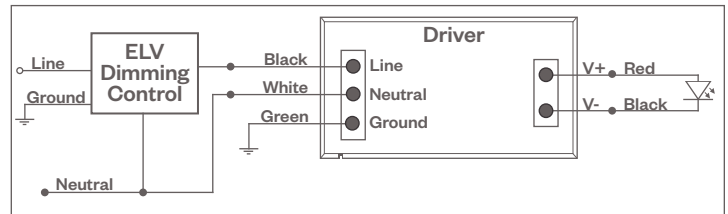
Notes:

- 120VAC or 277VAC*
- Dims down to 5% light output (most cases)
- Consult Dimming manufacturer for installation instructions - DO NOT SHARE NEUTRALS!
- Must meet dimmer Minimum Load Requirements

Compatible Dimmers†:

Wall Box (ELV 120VAC)	Wall Box (ELV 277VAC)	Central System
Lutron "Diva"	Leviton Revoir II AWSMT-E	Lutron "GP" Panel with PHPM-PA 120/277VAC
Lutron "Nova-T"		Lutron Grafik Eye QS with PHPM-PA 120/277VAC
Lutron "Maestro"		
Lutron "Vareo"		
Lutron "Skylark"		
Leviton "Surslide"		
Leviton "Vizio"		

ELV Wiring Diagram



Notes:

- * Driver is 277VAC dimmable with appropriate dimmer (by others). All provided wiring diagrams show 120VAC wiring colors and method. Please refer to 277VAC dimmer manufacturer installation instructions for 277VAC wiring diagrams.
- † The absence of a dimmer from the lists above does not imply incompatibility. Please consult factory for compatibility inquiries.

Cylindrix® III Mini

Pendant/Surface Multiples



PROJECT:

TYPE:

DIMMING COMPATIBILITY:

Amerlux® Cylindrix fixtures are compatible with all major dimming protocols prevalent in the United States. Please see below for general compatibilities and wiring diagrams. Amerlux recommends testing your unique dimming configuration as the exact full configuration (Dimmer, Fixture Quantity, Voltage, etc) may affect dimming performance.

--- NOTE: INFORMATION BELOW IS FOR WIRED DIMMERS ONLY. FOR WIRELESS DIMMERS, CONSULT FACTORY ---

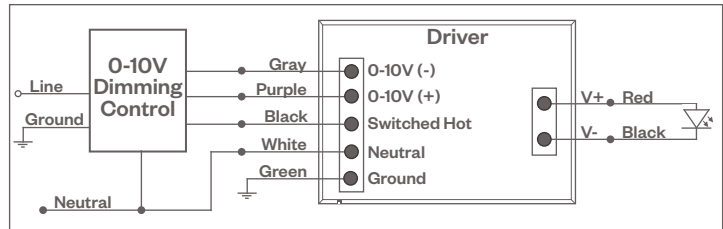
0-10V DIMMING

Integrates into a variety of building management and daylighting controls

Notes:

- 120VAC or 277VAC*
- Dims down to 1% light output
- Requires interface to turn off power to driver
- Consult Dimming manufacturer for installation instructions - DO NOT SHARE NEUTRALS!

0-10V Wiring Diagram



Compatible Dimmers†:

Wall Box

Lutron "Diva" - DTVV with PP-120H Interface

Leviton Renoir II 0-10V

Central System

Lutron Grafik Eye with GRX-TV1 Interface

LUTRON H-SERIES / ECOSYSTEM DIMMING

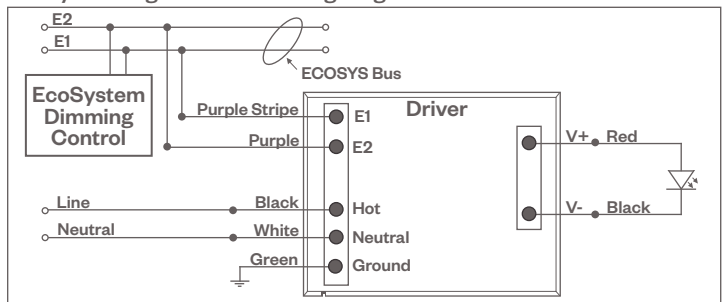
Integrates into Lutron EcoSystem building management

Notes:

- 120VAC or 277VAC*
- Dims down to 1% light output
- EcoSystem Control
- Consult Dimming manufacturer for installation instructions - DO NOT SHARE NEUTRALS!

HILUME-H-ECO, HILUME-5-ECO

EcoSystem Digital Control Wiring Diagram



Compatible Dimmers†:

Lutron ECO System

Pow Pak Dimming Modules
Energizer Node
Grafik Eye QS/Homeworks
QS Control Unit
Quantum Hub
Homeworks QS/My Room

Central System

Lutron EcoSystem compatible controls

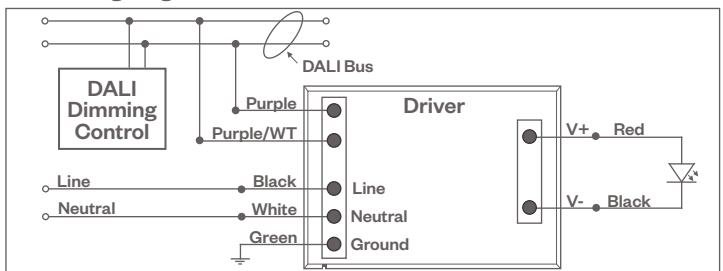
DALI DIMMING

Digital control protocol allows individual fixture control

Notes:

- 120VAC - 277VAC*
- Dims down to 1% light output in most cases

DALI Wiring Diagram



Compatible Dimmers†:

Wall Box (3-Wire Fluorescent)

Leviton CD250 Controller

Central System

Dynalite
Fifth Light

Notes:

* Driver is 277VAC dimmable with appropriate dimmer (by others). All provided wiring diagrams show 120VAC wiring colors and method. Please refer to 277VAC dimmer manufacturer installation instructions for 277VAC wiring diagrams.

† The absence of a dimmer from the lists above does not imply incompatibility. Please consult factory for compatibility inquiries.