

Cylindrix® III Mini

Semi-Recessed Multiples

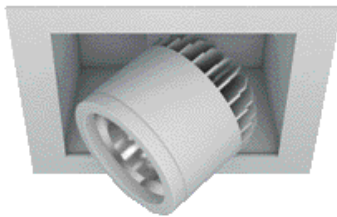


Features

This powerful, compact member of our Cylindrix family enhances your design aesthetics. The new Cylindrix III Mini Multiples consist of tiny, passively cooled LED heads, with full dimming capacity. They deliver brilliant colors and crispest whites, utilizing a patent pending, field changeable optical system. Available in 1, 2, 3 or 4 light configurations.

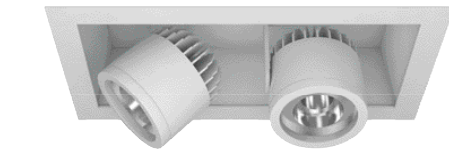
Product Overview

Type: Recessed Multiple, Accent & Display
Wattage: 15, 18*, 21 (*VNSP only)
Color Temp: 2200K, 2700K, 3000K, 3500K, 4000K
CRI: 83 typ. (2700K, 3000K, 3500K, 4000K)
 90+ typ. (2200K, 2700K, 3000K, 3500K, 4000K)
 CrispWhite & 3K Class A LED's available
Dimming: TRIAC & ELV (120/277VAC) - 5% Dim
 Lutron LDE1 Hi-lume® 1% Soft-On/Fade-to-Black (120/277VAC)
 0-10V (120/277VAC) - 1% Dim
 DALI (120/277VAC) - 1% Dim

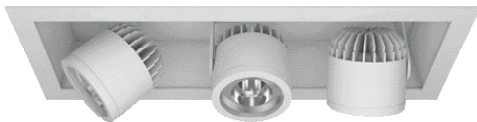


PROJECT:

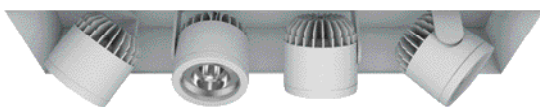
TYPE:



2 Light



3 Light



4 Light (trimless version shown)

Fixture Summary (see following pages for more information)

Fixture Type

# of Heads	New Construction	Remodeler	Trim	Trimless
1	Yes	No	Yes	Yes
2	Yes	No	Yes	Yes
3	Yes	No	Yes	Yes
4	Yes	No	Yes	Yes

See separate spec sheet for Recessed or Remodeler versions.

Performance Chart

Watts	Delivered Lumens	CBCP	Color Temp
15	1,508	9,415	3000K-83
18*	1,096	24,308	3000K-83
21	2,125	13,260	3000K-83

*Note: 18W is VNSP only

Data is based on 3000K-83 120v IES files available on website
 15W & 21W data is based on Very Narrow Flood optics
 18W data is Very Narrow Spot optic only
 See pg 10-11 for beam spreads



Cylindrix® III Mini

Semi-Recessed Multiples



PROJECT:

TYPE:

Frame Ordering Information

1	2	3	4	5	6
1 <u>Model</u> C3MR/SR-NC-FRAME (new construction) C3MSR-CP-FRAME (Chicago Plenum)	2 <u>Style</u> T - trimmed TL - trimless	3 <u># of Heads</u> 1 2 3 4	4 <u>Voltage</u> 120 277	5 <u>Driver</u> LE/TE - TRIAC/ELV dimming, 5% dim HILUME-H-ECO - Lutron LDE1 Hi-lume® 1% Soft-On/Fade-to-Black O-10V - 0-10V dimming; 1% dim DALI - EldoLED; 1% dim	6 <u>Options/Accessories</u> EM* - emergency battery pack, available on 2, 3 or 4 light - powers only 1 head of the total fixture <i>*If this option is selected, you must also select EM option in the Trim Ordering section.</i>

Trim Ordering Information

120-277																																																	
1	2	3	4	5	6	7	8	9	10																																								
1 <u>Model</u> C3MSR-NC-TRIM (new construction) C3MSR-CP-TRIM (Chicago Plenum)	2 <u>Style</u> T - trimmed TL - trimless	3 <u># of Heads</u> 1 2 3 4	4 <u>Wattage</u> 15 18 (VNSP only) 21	5 <u>Finish</u> (for housing, head & trim) WT - white texture BT - black texture ST - silver texture <i>Other finishes, consult factory</i>	6 <u>Voltage</u> 120-277	7 <u>Beam Spreads</u> <table border="0"> <tr> <td>1LT</td> <td>2LT</td> <td>3LT</td> <td>4LT</td> <td></td> </tr> <tr> <td>VNSP</td> <td>VNSP</td> <td>VNSP</td> <td>VNSP</td> <td>(very narrow spot 8°, 18W only)</td> </tr> <tr> <td>SP</td> <td>SP</td> <td>SP</td> <td>SP</td> <td>(spot 14°)</td> </tr> <tr> <td>VNF</td> <td>VNF</td> <td>VNF</td> <td>VNF</td> <td>(very narrow flood 18°)</td> </tr> <tr> <td>NF</td> <td>NF</td> <td>NF</td> <td>NF</td> <td>(narrow flood 23°)</td> </tr> <tr> <td>FL</td> <td>FL</td> <td>FL</td> <td>FL</td> <td>(flood 34°)</td> </tr> <tr> <td>WF</td> <td>WF</td> <td>WF</td> <td>WF</td> <td>(wide flood 44°)</td> </tr> <tr> <td>LS</td> <td>LS</td> <td>LS</td> <td>LS</td> <td>(linear spread 60°x10°)</td> </tr> </table>	1LT	2LT	3LT	4LT		VNSP	VNSP	VNSP	VNSP	(very narrow spot 8°, 18W only)	SP	SP	SP	SP	(spot 14°)	VNF	VNF	VNF	VNF	(very narrow flood 18°)	NF	NF	NF	NF	(narrow flood 23°)	FL	FL	FL	FL	(flood 34°)	WF	WF	WF	WF	(wide flood 44°)	LS	LS	LS	LS	(linear spread 60°x10°)	8 <u>Color Temp</u> 83 CRI: 90+ CRI: 27 - 2700K-83 229* - 2200K-90+ CRISP* - CrispWhite 30 - 3000K-83 279 - 2700K-90+ 3CLA - 3K Class A 35 - 3500K-83 309 - 3000K-90+ 40 - 4000K-83 359 - 3500K-90+ 409 - 4000K-90+ * Not available for use with 18W VNSP	9 <u>Driver</u> (for non-dimming select LE/TE option) LE/TE - TRIAC/ELV dimming, 5% dim HILUME-H-ECO - Lutron LDE1 Hi-lume® 1% Soft-On/Fade-to-Black O-10V - 0-10V dimming; 1% dim DALI - EldoLED; 1% dim	10 <u>Options /Accessories</u> (standard front door accepts up to 2 accessories) SN - snoot, 1" length, matte black interior, exterior finish matches fixture finish, accepts up to 2 accessories + cross blade) HEX - hexcell louver CB - cross blade, matte black finish (requires snoot) SOL - solite beam softening lens EM* - emergency battery pack, available on 2, 3 or 4 light - powers only 1 head of the total fixture <i>*If this option is selected, you must also select EM option in the Frame Ordering section.</i>
1LT	2LT	3LT	4LT																																														
VNSP	VNSP	VNSP	VNSP	(very narrow spot 8°, 18W only)																																													
SP	SP	SP	SP	(spot 14°)																																													
VNF	VNF	VNF	VNF	(very narrow flood 18°)																																													
NF	NF	NF	NF	(narrow flood 23°)																																													
FL	FL	FL	FL	(flood 34°)																																													
WF	WF	WF	WF	(wide flood 44°)																																													
LS	LS	LS	LS	(linear spread 60°x10°)																																													

Cylindrix® III Mini

Semi-Recessed Multiples



PROJECT:

TYPE:

Specifications

Application

Retail and commercial accent and display lighting

Construction

Stamped steel mounting frame with integral mounting bars
Thermally protected (adds 2W to total fixture wattage)
Steel driver housing
Steel upper housing and laser cut trim ring
Steel plaster frame (trimless only)
Complete die-cast optical head construction

Optical

Tilt: 0-40°x40° (SR), 0-45°x45° (SRTLX)
Rotation: 360°+
Beam Spreads: Very Narrow Spot, 8° (18w only); Spot, 14°;
Very Narrow Flood, 18°; Narrow Flood, 23°; Flood, 34°;
Wide Flood, 44°

LED

Color Temp Options:
2200K, 2700K, 3000K, 3500K, 4000K
CRI: 83 typ. (2700K, 3000K, 3500K, 4000K)
90+ typ. (2200K, 2700K, 3000K, 3500K, 4000K)
CrispWhite* LED available
Class A** 3000K LED available
R9 Values: 11 (83 CRI), 55 (90+ CRI)
Binning: 3 MacAdam (SDCM)
Life: 50,000+ hrs, > 70% of initial lumens at 50,000 hrs
**CrispWhite: CrispWhite Technology delivers the warmth of colors expected from a high 90 CRI solution but also creates the natural crisp white color similar to CMH sources. It creates impactful lighting by revealing the richest whites and vibrant colors that pop.*
***Class A LED: Class A LED's have a CRI > 80 and a GAI > 80. CRI defines color "Naturalness" and GAI defines color "Saturation." Both being high delivers rich colors and pure whites.*

Electrical

Wattage: 15, 18, 21
Electronic constant current LED driver, 120/277VAC input
This product complies with IEEE C62.41 for surge endurance up to 2.5KV. Amerlux® recommends using additional surge protection with this unit (supplied by others), surge and over voltage damage is not covered under warranty.

Drivers

LE/TE - Leading Edge, TRIAC, forward phase/Trailing Edge, ELV, reverse phase
0-10V, Lutron and DALI systems also available
See pages 12-13 for more dimming information

Finish

Powder coat paint
Consult Factory for custom finishes

Mounting

For use in T-Grid or GB ceilings; max ceiling thickness 1"
Adjustable hanger bars included (14 1/2" - 25" std.)
(32"-48" Adjustable hanger bars available)
Consult Factory for thicker ceilings

Certifications

CSA listed to UL standards. Suitable for damp locations
Indoor use only

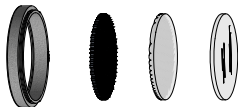
Warranty

5 year limited warranty

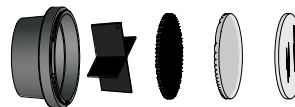
Emergency Battery Pack (EM)

Powers single head of 2, 3 or 4 light multiple at 5.1 watts (approx. 400 Lm) for 90 minutes. Not available on 1 light multiple. And not available for use on CP version.

Accessories (diagrams show installation order)



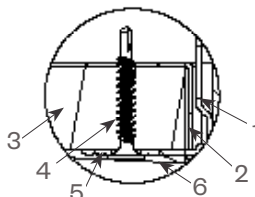
Front door/Accessory holder, hexcell, linear spread lens, solite lens



Snoot accessory holder, cross blade, hexcell, linear spread lens, solite lens

Plaster Frame Installation Detail (for trimless fixture only)

1. Recessed extruded housing
2. Aperture plate
3. Ceiling 5/8"
4. Drywall screw (by others)
5. Plaster frame
6. Plaster skim coat (by others)



Cylindrix® III Mini

Semi-Recessed Multiples



PROJECT:

TYPE:

Electrical Data

NOTE: System Watts includes an additional 2W for thermal protector power consumption.

1 Light

	1 x 15W		1 x 18W		1 x 21W	
	System Watts	Amps	System Watts	Amps	System Watts	Amps
120v	17	0.14	20	0.17	23	0.19
277v	17	0.06	20	0.07	23	0.08

Electronic constant current LED driver

2 Light

	2 x 15W		2 x 18W		2 x 21W	
	System Watts	Amps	System Watts	Amps	System Watts	Amps
120v	34	0.28	40	0.33	46	0.38
277v	34	0.12	40	0.14	46	0.17

Electronic constant current LED driver

3 Light

	3 x 15W		3 x 18W		3 x 21W	
	System Watts	Amps	System Watts	Amps	System Watts	Amps
120v	51	0.43	60	0.5	69	0.58
277v	51	0.18	60	0.22	69	0.25

Electronic constant current LED driver

4 Light

	4 x 15W		4 x 18W		4 x 21W	
	System Watts	Amps	System Watts	Amps	System Watts	Amps
120v	68	0.57	80	0.67	92	0.77
277v	68	0.25	80	0.29	92	0.33

Electronic constant current LED driver

Cylindrix® III Mini

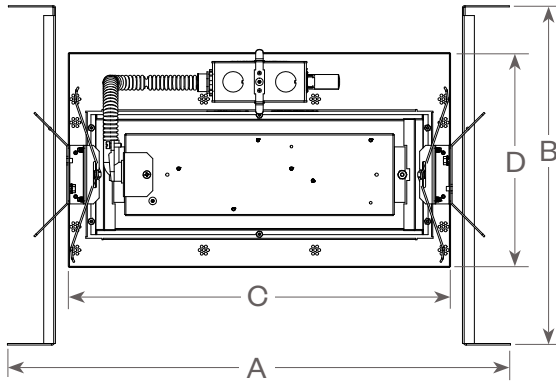
Semi-Recessed Multiples



PROJECT:

TYPE:

Cylindrix III Mini Multiples: Semi-Recessed

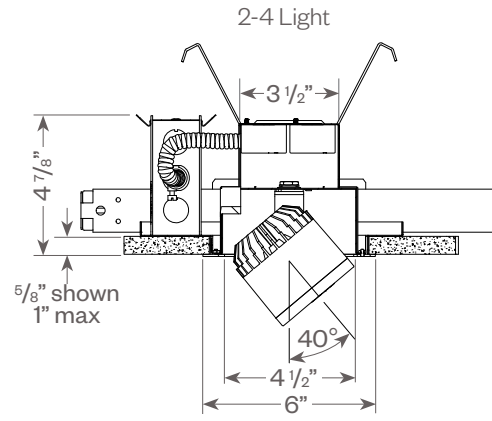
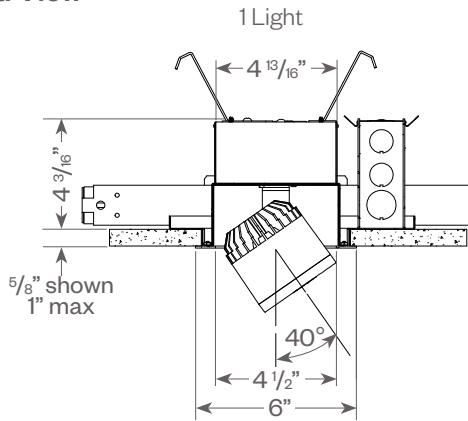


	1 Light	2 Light	3 Light	4 Light
A	12 1/8"	17"	21 1/2"	26"
B	14 1/2" max 25"	14 1/2" max 25"	14 1/2" max 25"	14 1/2" max 25"
C	7 1/8"	11 13/16"	16 5/16"	20 13/16"
D	9 1/8"	9 1/8"	9 1/8"	9 1/8"

Ceiling cut out: 1 Light - 5 9/16" x 5 9/16"
 2 Light - 5 9/16" x 10 5/16"
 3 Light - 5 9/16" x 14 13/16"
 4 Light - 5 9/16" x 19 5/16"

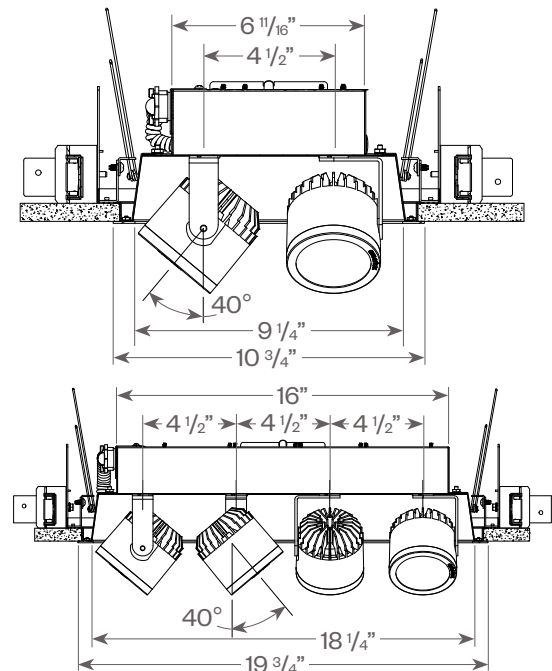
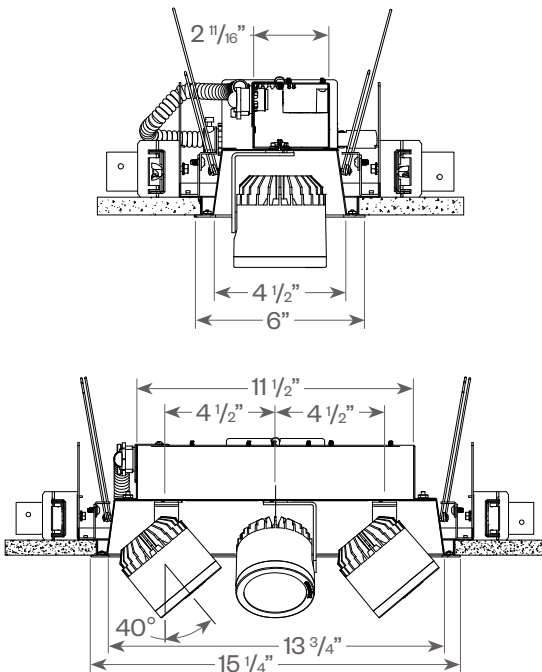
End View

Standard Driver (ELV/TRIAC)



Side View

Standard Driver (ELV/TRIAC)



Cylindrix® III Mini

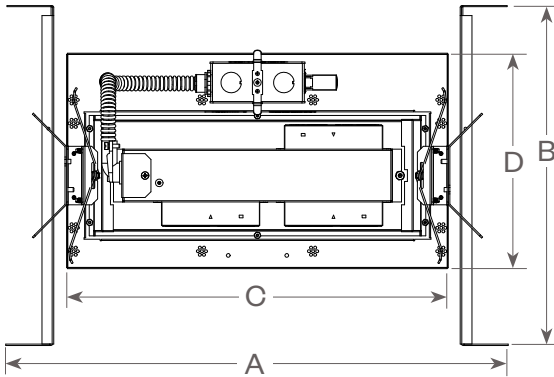
Semi-Recessed Multiples



PROJECT:

TYPE:

Cylindrix III Mini Multiples: Semi-Recessed

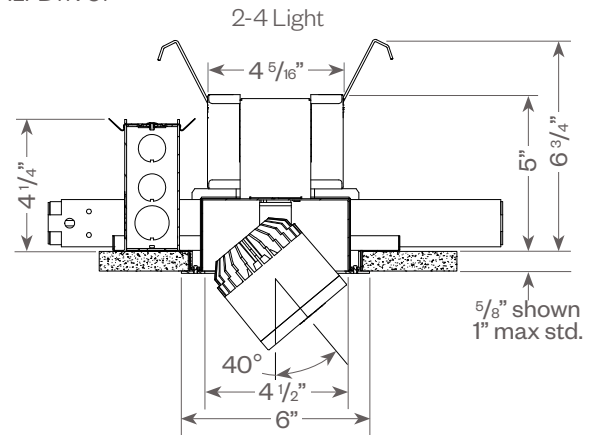
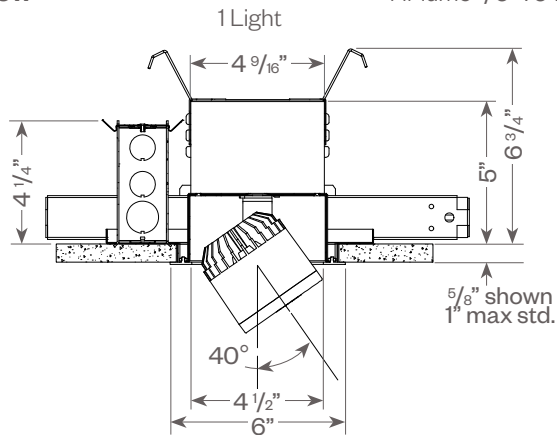


	1 Light	2 Light	3 Light	4 Light
A	12 1/8"	17"	21 1/2"	26"
B	14 1/2" max 25"	14 1/2" max 25"	14 1/2" max 25"	14 1/2" max 25"
C	7 1/8"	11 13/16"	16 5/16"	20 13/16"
D	9 1/8"	9 1/8"	9 1/8"	9 1/8"

Ceiling cut out: 1 Light - 5 9/16" x 5 9/16"
 2 Light - 5 9/16" x 10 5/16"
 3 Light - 5 9/16" x 14 13/16"
 4 Light - 5 9/16" x 19 5/16"

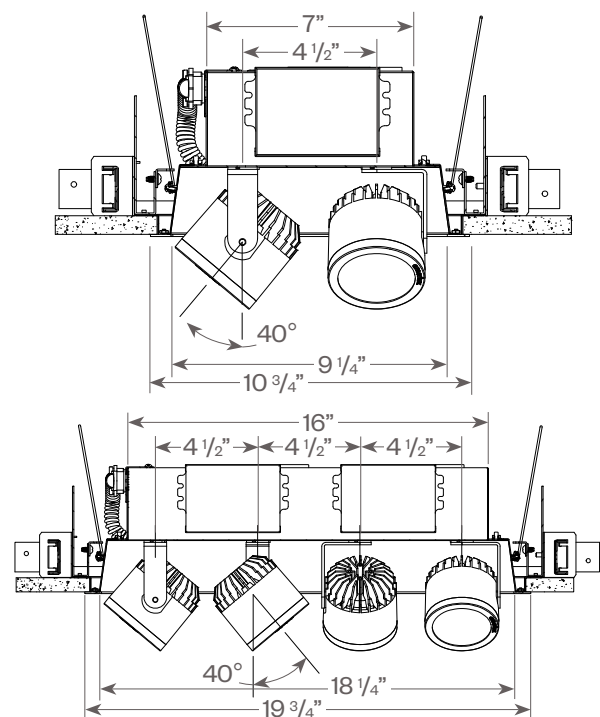
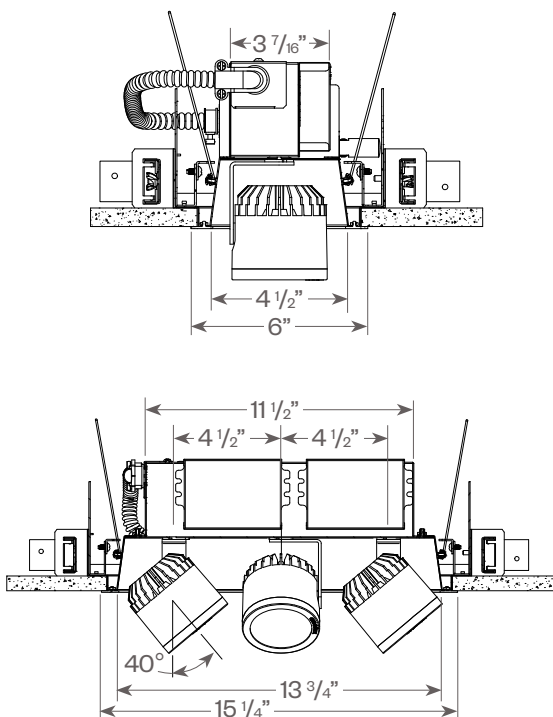
End View

Hi-lume®/0-10V/DALI Driver



Side View

Hi-lume®/0-10V/DALI Driver



Cylindrix® III Mini

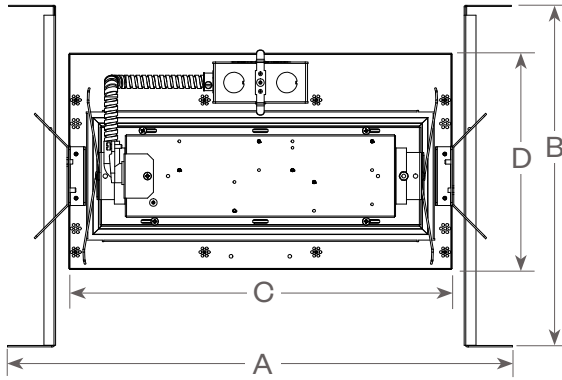
Semi-Recessed Multiples



PROJECT:

TYPE:

Cylindrix III Mini Multiples: Semi-Recessed Trimless

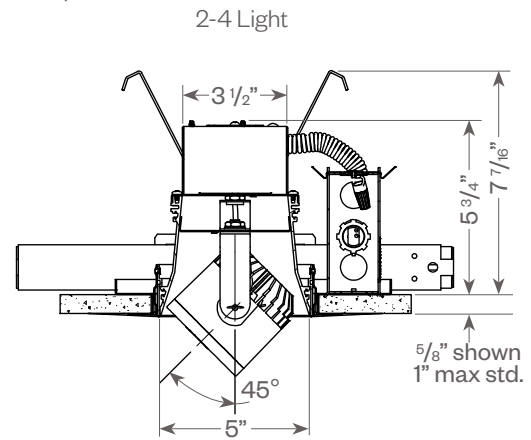
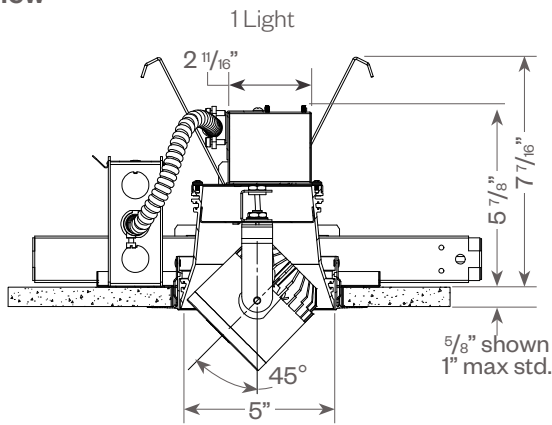


	1 Light	2 Light	3 Light	4 Light
A	12 1/8"	17"	21 1/2"	26"
B	14 1/2" max 25"	14 1/2" max 25"	14 1/2" max 25"	14 1/2" max 25"
C	7 1/8"	11 13/16"	16 5/16"	20 13/16"
D	9 1/8"	9 1/8"	9 1/8"	9 1/8"

Ceiling cut out: 1 Light - 5 9/16" x 5 9/16"
 2 Light - 5 9/16" x 10 5/16"
 3 Light - 5 9/16" x 14 13/16"
 4 Light - 5 9/16" x 19 5/16"

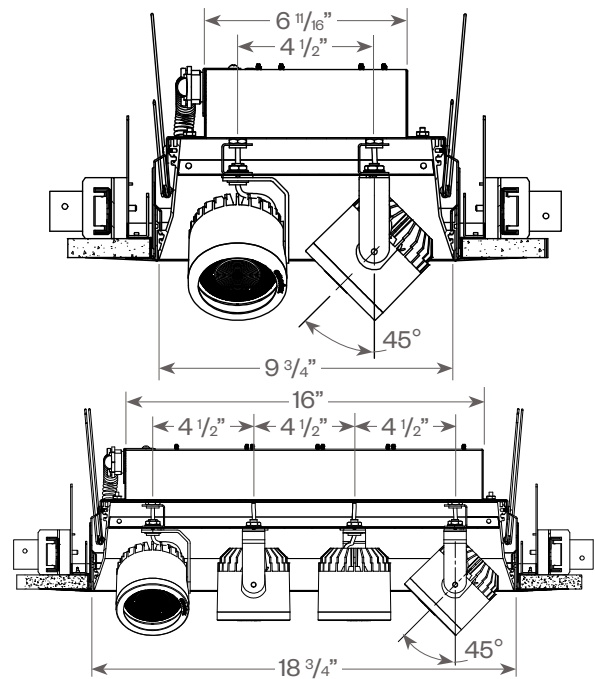
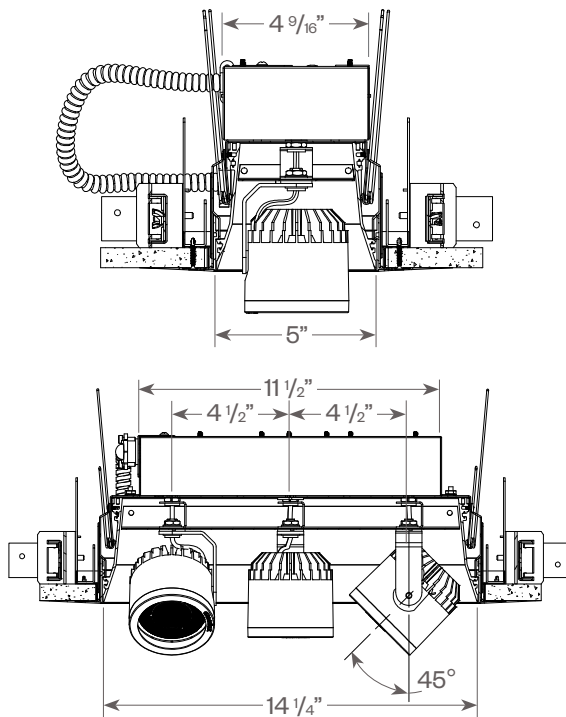
End View

Standard Driver (ELV/TRIAC)



Side View

Standard Driver (ELV/TRIAC)



Cylindrix® III Mini

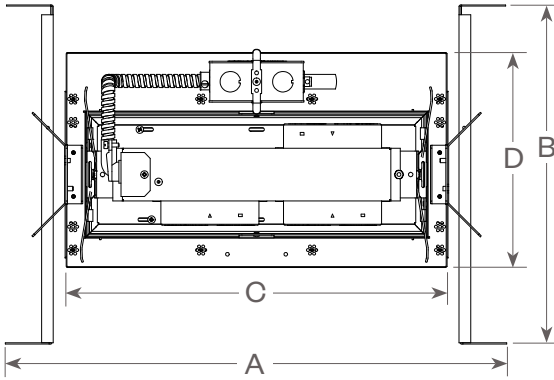
Semi-Recessed Multiples



PROJECT:

TYPE:

Cylindrix III Mini Multiples: Semi-Recessed Trimless

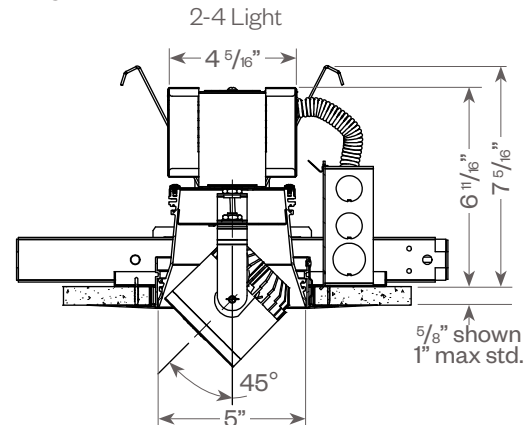
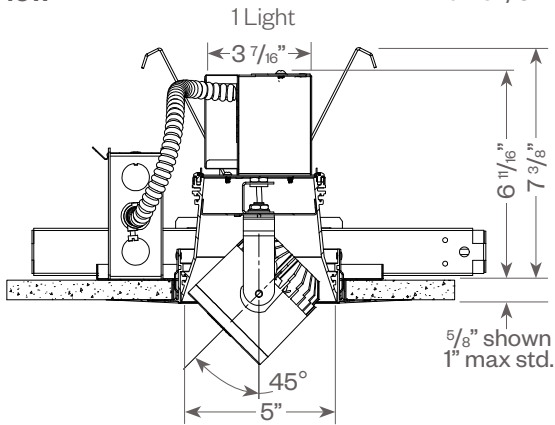


	1 Light	2 Light	3 Light	4 Light
A	12 1/8"	17"	21 1/2"	26"
B	14 1/2" max 25"	14 1/2" max 25"	14 1/2" max 25"	14 1/2" max 25"
C	7 1/8"	11 13/16"	16 5/16"	20 13/16"
D	9 1/8"	9 1/8"	9 1/8"	9 1/8"

Ceiling cut out: 1 Light - 5 9/16" x 5 9/16"
 2 Light - 5 9/16" x 10 5/16"
 3 Light - 5 9/16" x 14 13/16"
 4 Light - 5 9/16" x 19 5/16"

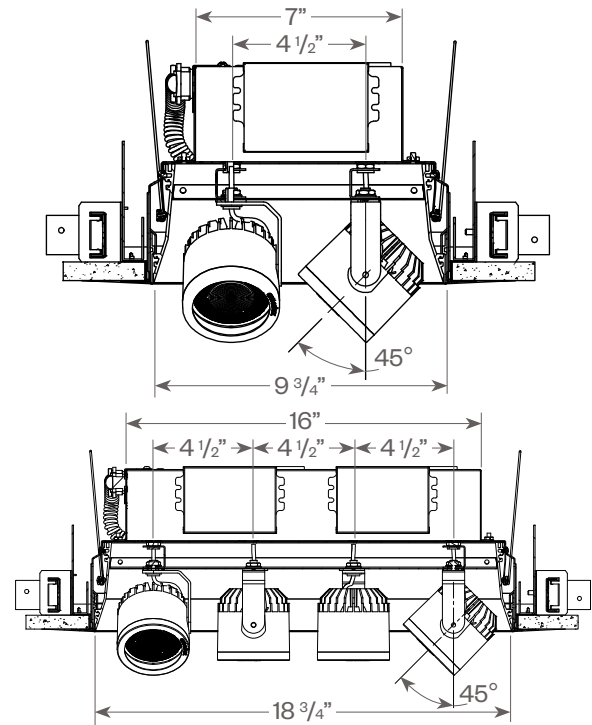
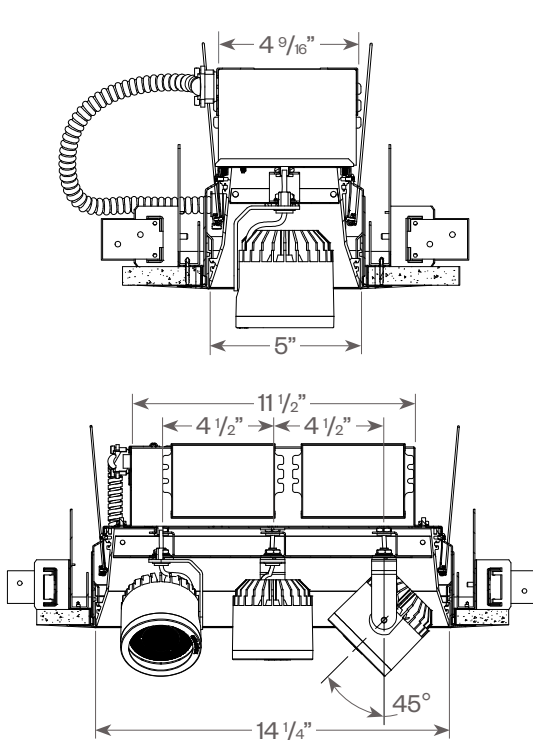
End View

Hi-lume®/0-10V/DALI Driver



Side View

Hi-lume®/0-10V/DALI Driver



Cylindrix® III Mini

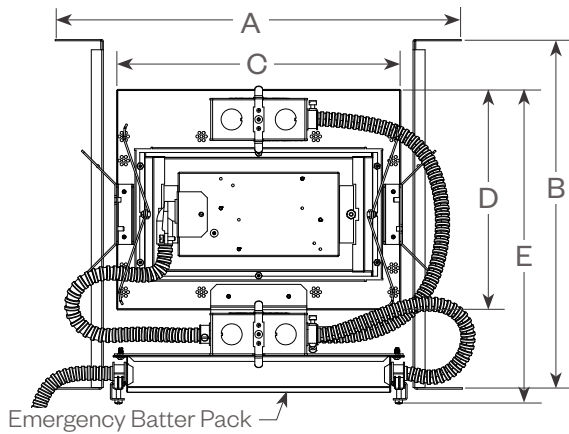
Semi-Recessed Multiples



PROJECT:

TYPE:

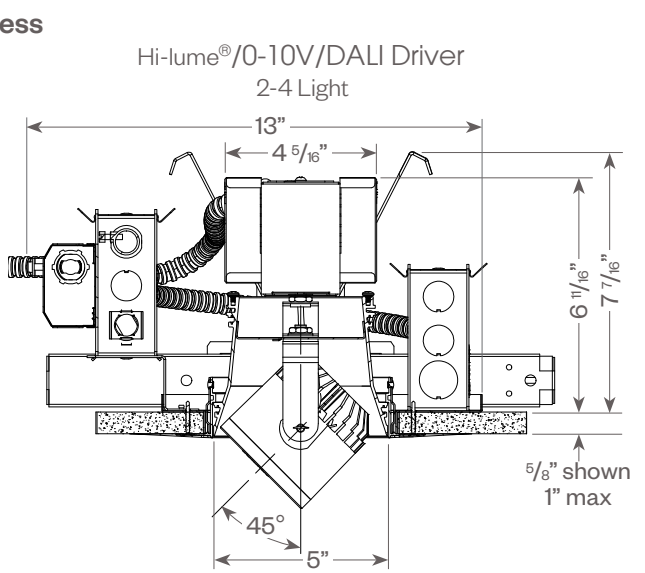
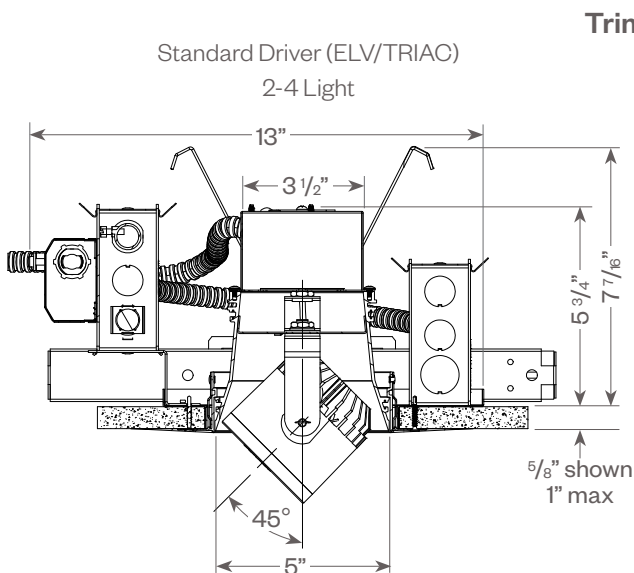
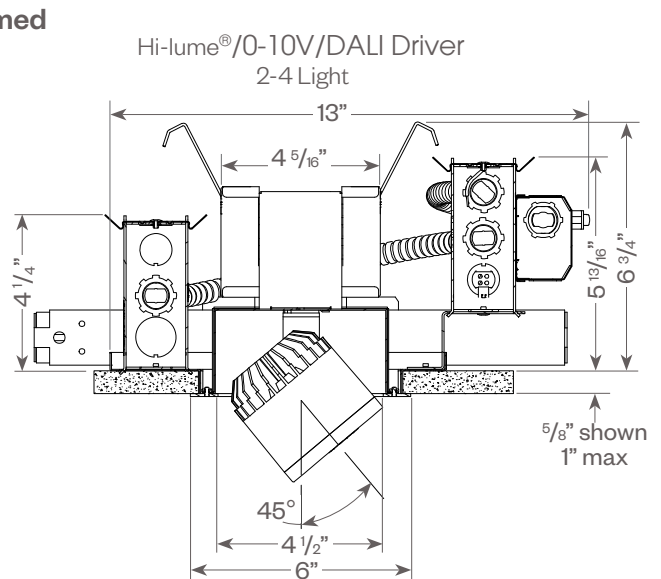
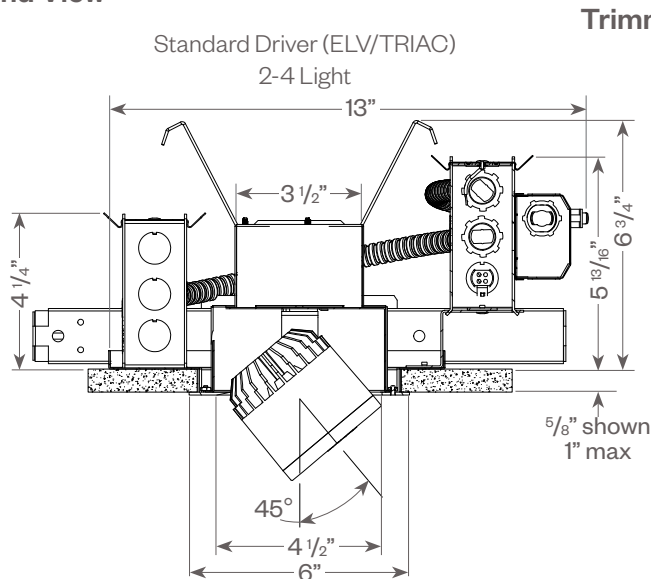
Cylindrix III Mini Multiples: Semi-Recessed with Emergency Battery Pack (2-4 light only)



	2 Light	3 Light	4 Light
A	17"	21 1/2"	26"
B	14 1/2" max 25"	14 1/2" max 25"	14 1/2" max 25"
C	11 13/16"	16 5/16"	20 13/16"
D	9 1/8"	9 1/8"	9 1/8"
E	13	13	13

Ceiling cut out: 2 Light - 5 9/16" x 10 5/16"
 3 Light - 5 9/16" x 14 13/16"
 4 Light - 5 9/16" x 19 5/16"

End View



Cylindrix® III Mini

Semi-Recessed Multiples



PROJECT:

TYPE:

FIXTURE DATA: (Complete photometric data (.ies format) available upon request)

MULTIPLYING FACTORS: (Multiplying Factor is based on 3000K-83 120V IES file on website)

Wattage:	15W	21W
Factor:	0.71	1.0

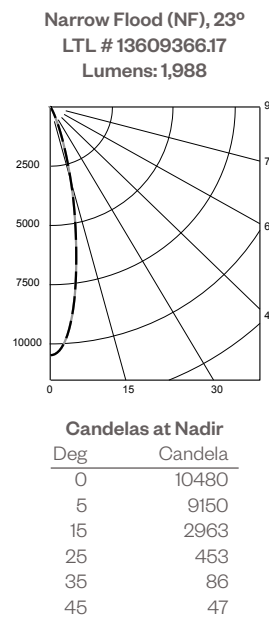
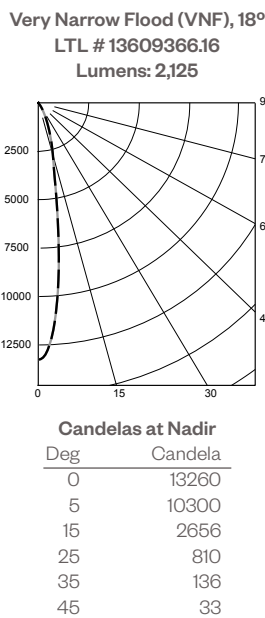
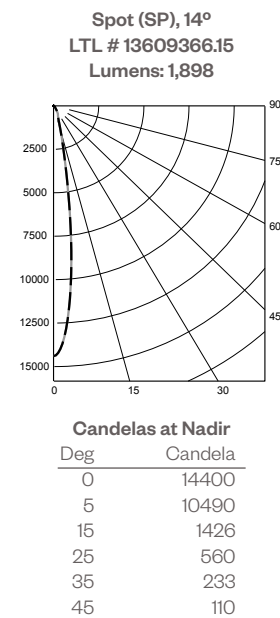
Note: For 18W (VNSP only) data see pg 11

CCT:	2700K-83	3000K-83	3500K-83	4000K-83
Factor:	0.96	1.0	1.02	1.04

CCT:	2200K-90+	2700K-90+	3000K-90+	3500K-90+	4000K-90+	CRISP*	3CLA
Factor:	0.66	0.83	0.86	0.90	0.93	0.65	0.70

21W LED, 3000K-83

Note: Data per head

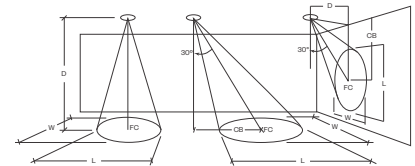


Note: For FL & WF data see pg 11

APPLICATION DATA:

Notes and Definitions:

- Beam spread is to 50% center beam candlepower (CBCP).
- D=Distance to floor or wall.
- FC=Footcandles on floor or wall at center beam aiming location.
- L=Effective Visual Beam length in feet (50% of maximum footcandle level).
- W=Effective Visual Beam width in feet (50% of maximum footcandle level).
- CB=Distance across or down to center beam location.



	0° Aiming Angle Horizontal Footcandles				30° Aiming Angle Horizontal Footcandles					30° Aiming Angle Vertical Footcandles					60° Aiming Angle Vertical Footcandles				
	D	FC	L	W	D	FC	L	W	CB	D	FC	L	W	CB	D	FC	L	W	CB
SPOT	5.0'	575	1.2	1.2	5.0'	371	1.6	1.4	3.0	3.0'	216	2.8	1.4	5.0	3.0'	779	1.3	1.1	2.0
	7.5'	256	1.9	1.9	7.5'	166	2.5	2.2	4.0	4.0'	130	3.5	1.8	6.0	4.0'	555	1.5	1.2	2.0
	10.0'	144	2.7	2.7	10.0'	92	3.4	3.0	6.0	5.0'	82	4.3	2.5	8.0	5.0'	361	1.8	1.4	3.0
	12.5'	93	3.2	3.2	12.5'	61	4.1	3.6	7.0	6.0'	58	5.2	2.9	9.0	6.0'	247	2.2	1.6	3.0
VERY NARROW FLOOD	5.0'	531	1.4	1.4	5.0'	342	1.9	1.5	3.0	3.0'	200	3.4	1.6	5.0	3.0'	745	1.5	1.2	2.0
	7.5'	236	2.2	2.2	7.5'	155	2.9	2.6	4.0	4.0'	124	4.1	2.1	6.0	4.0'	529	1.7	1.3	2.0
	10.0'	133	3.0	3.0	10.0'	85	3.9	3.4	6.0	5.0'	77	5.2	2.9	7.0	5.0'	333	2.1	1.6	3.0
	12.5'	85	3.6	3.6	12.5'	57	4.7	4.1	7.0	6.0'	56	6.2	3.2	9.0	6.0'	235	2.4	1.9	3.0
NARROW FLOOD	5.0'	420	1.8	1.8	5.0'	271	2.5	2.2	3.0	3.0'	193	3.2	1.8	4.0	3.0'	628	1.9	1.3	2.0
	7.5'	187	2.9	2.9	7.5'	126	3.5	3.2	4.0	4.0'	105	4.5	2.8	6.0	4.0'	443	1.9	1.6	2.0
	10.0'	105	3.7	3.7	10.0'	71	4.8	4.2	5.0	5.0'	70	5.4	3.3	7.0	5.0'	265	2.6	2.2	3.0
	12.5'	67	4.7	4.7	12.5'	45	6.0	5.4	7.0	6.0'	49	6.6	3.9	8.0	6.0'	197	2.9	2.6	3.0

Cylindrix® III Mini

Semi-Recessed Multiples



C3M Semi-Recessed Multiples

PROJECT:

TYPE:

FIXTURE DATA: (Complete photometric data (.ies format) available upon request)

MULTIPLYING FACTORS: (Multiplying Factor is based on 3000K-83 120V IES file on website)

Wattage:	15W	21W
Factor:	0.71	1.0

CCT:	2700K-83	3000K-83	3500K-83	4000K-83
Factor:	0.96	1.0	1.02	1.04

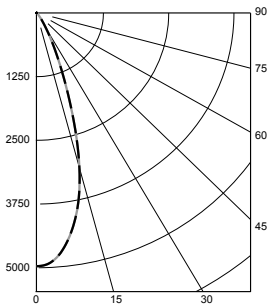
CCT:	2200K-90+	2700K-90+	3000K-90+	3500K-90+	4000K-90+	CRISP*	3CLA
Factor:	0.66	0.83	0.86	0.90	0.93	0.65	0.70

* Not available for use with 18W VNSP

21W LED, 3000K-83

Note: Data per head

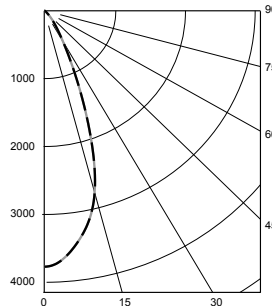
Flood (FL), 34°
LTL # 13609366.18
Lumens: 1,960



Candelas at Nadir

Deg	Candela
0	4970
5	4780
15	3130
25	913
35	193
45	55

Wide Flood (WF), 44°
LTL # 13609366.19
Lumens: 1,930



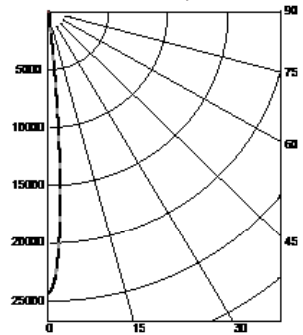
Candelas at Nadir

Deg	Candela
0	3771
5	3624
15	2758
25	1034
35	308
45	101

Note: For SP, VNF, NF data see pg 10

18W LED, 3000K (VNSP only)

Very Narrow Spot (VNSP), 8°
LTL #1170140
Lumens: 1,096



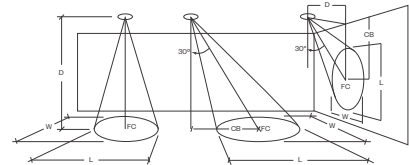
Candelas at Nadir

Deg	Candela
0	24308
5	8980
15	527
25	394
35	131
45	57

APPLICATION DATA:

Notes and Definitions:

- Beam spread is to 50% center beam candlepower (CBCP).
- D=Distance to floor or wall.
- FC=Footcandles on floor or wall at center beam aiming location.
- L=Effective Visual Beam length in feet (50% of maximum footcandle level).
- W=Effective Visual Beam width in feet (50% of maximum footcandle level).
- CB=Distance across or down to center beam location.



	0° Aiming Angle Horizontal Footcandles				30° Aiming Angle Horizontal Footcandles					30° Aiming Angle Vertical Footcandles					60° Aiming Angle Vertical Footcandles				
	D	FC	L	W	D	FC	L	W	CB	D	FC	L	W	CB	D	FC	L	W	CB
FLOOD	5.0'	199	3.0	3.0	5.0'	141	3.5	3.1	2.0	3.0'	124	3.3	2.7	3.0	3.0'	372	2.2	1.8	1.0
	7.5'	89	4.4	4.4	7.5'	63	5.2	4.8	3.0	4.0'	70	4.5	3.4	4.0	4.0'	221	2.9	2.7	2.0
	10.0'	50	5.8	5.8	10.0'	36	6.9	6.4	4.0	5.0'	45	5.6	4.4	5.0	5.0'	143	3.5	3.1	2.0
	12.5'	32	7.3	7.3	12.5'	23	8.6	8.0	6.0	6.0'	32	6.8	5.2	7.0	6.0'	98	4.2	3.9	3.0
WIDE FLOOD	5.0'	151	3.2	3.2	5.0'	110	3.8	3.5	2.0	3.0'	109	3.2	2.7	3.0	3.0'	303	2.3	2.0	1.0
	7.5'	67	5.0	5.0	7.5'	49	5.6	5.4	3.0	4.0'	62	4.2	3.6	4.0	4.0'	167	3.1	3.0	2.0
	10.0'	38	6.6	6.6	10.0'	28	7.5	7.3	4.0	5.0'	40	5.3	4.6	5.0	5.0'	111	3.8	3.5	2.0
	12.5'	25	8.3	8.3	12.5'	18	9.5	9.1	5.0	6.0'	28	6.5	5.5	6.0	6.0'	76	4.6	4.5	2.0
18W only VERY NARROW SPOT	5.0'	967	1.0	1.0	5.0'	624	1.0	1.0	3.0	3.0'	360	1.5	1.0	5.0	3.0'	983	1.0	1.0	2.0
	7.5'	431	1.1	1.1	7.5'	251	1.8	1.1	4.0	4.0'	185	2.4	1.1	7.0	4.0'	729	1.1	1.0	2.0
	10.0'	243	1.3	1.3	10.0'	153	2.1	1.6	6.0	5.0'	129	2.7	1.2	8.0	5.0'	600	1.1	1.0	3.0
	12.5'	156	1.8	1.8	12.5'	102	2.4	2.2	7.0	6.0'	90	3.3	1.6	10.0	6.0'	325	1.9	1.0	3.0

Cylindrix® III Mini

Semi-Recessed Multiples



PROJECT:

TYPE:

DIMMING COMPATIBILITY:

Amerlux® Cylindrix fixtures are compatible with all major dimming protocols prevalent in the United States. Please see below for general compatibilities and wiring diagrams. Amerlux recommends testing your unique dimming configuration as the exact full configuration (Dimmer, Fixture Quantity, Voltage, etc) may affect dimming performance.

--- NOTE: INFORMATION BELOW IS FOR WIRED DIMMERS ONLY. FOR WIRELESS DIMMERS, CONSULT FACTORY ---

TRIAC (Forward Phase) DIMMING (Standard)

Utilizes standard TRIAC dimmers that are in wide use in installations across the US. Best for retrofit applications where TRIAC dimmers are installed.

Notes:

- 120VAC or 277VAC*
- Dims down to 5% light output (most cases)
- Consult Dimming manufacturer for installation instructions - DO NOT SHARE NEUTRALS!
- Must meet dimmer Minimum Load Requirements per dimming manufacturer

Compatible Dimmers†:

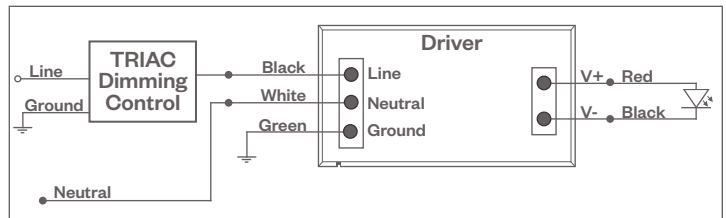
Wall Box (TRIAC 120VAC)

Lutron "Diva"
Lutron "Nova-T"
Lutron "Maestro"
Lutron "Skylark"

Central System

Lutron "GP" Panel
Lutron Grafik Eye QS

TRIAC Wiring Diagram



ELV - Electronic Low Voltage (Reverse Phase) DIMMING (Standard)

Utilizes specialized "ELV" dimmers.

Notes:

- 120VAC or 277VAC*
- Dims down to 5% light output (most cases)
- Consult Dimming manufacturer for installation instructions - DO NOT SHARE NEUTRALS!
- Must meet dimmer Minimum Load Requirements

Compatible Dimmers†:

Wall Box (ELV 120VAC)

Lutron "Diva"
Lutron "Nova-T"
Lutron "Maestro"
Lutron "Skylark"
Leviton "Surslide"
Leviton "Vizio"

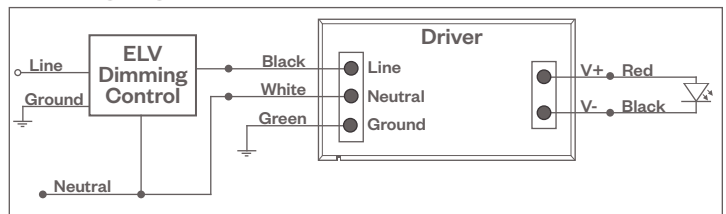
Wall Box (ELV 277VAC)

Leviton Revoir II AWSMT-E

Central System

Lutron "GP" Panel with PHPM-PA 120/277VAC
Lutron Grafik Eye QS with PHPM-PA 120/277VAC

ELV Wiring Diagram



Notes:

- * Driver is 277VAC dimmable with appropriate dimmer (by others). All provided wiring diagrams show 120VAC wiring colors and method. Please refer to 277VAC dimmer manufacturer installation instructions for 277VAC wiring diagrams.
- † The absence of a dimmer from the lists above does not imply incompatibility. Please consult factory for compatibility inquiries.

Cylindrix[®] III Mini

Semi-Recessed Multiples



PROJECT:

TYPE:

DIMMING COMPATIBILITY:

Amerlux[®] Cylindrix fixtures are compatible with all major dimming protocols prevalent in the United States. Please see below for general compatibilities and wiring diagrams. Amerlux recommends testing your unique dimming configuration as the exact full configuration (Dimmer, Fixture Quantity, Voltage, etc) may affect dimming performance.

--- NOTE: INFORMATION BELOW IS FOR WIRED DIMMERS ONLY. FOR WIRELESS DIMMERS, CONSULT FACTORY ---

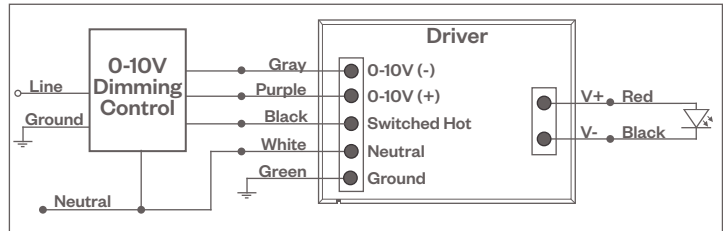
0-10V DIMMING

Integrates into a variety of building management and daylighting controls

Notes:

- 120VAC or 277VAC*
- Dims down to 1% light output
- Requires interface to turn off power to driver
- Consult Dimming manufacturer for installation instructions - DO NOT SHARE NEUTRALS!

0-10V Wiring Diagram



Compatible Dimmers*:

Wall Box

Lutron "Diva" - DVSTV | Leviton Renoir II 0-10V

Central System

Lutron Grafik Eye with GRX-TV1 Interface

LUTRON LDE1 DIMMING

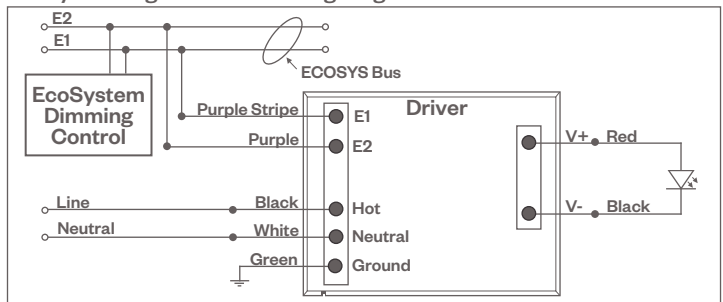
Integrates into Lutron EcoSystem building management

Notes:

- 120VAC or 277VAC*
- Dims down to 1% Soft-On/Fade-to-Black
- EcoSystem Control
- Consult Dimming manufacturer for installation instructions - DO NOT SHARE NEUTRALS!

Lutron LDE1 (HILUME-H-ECO)

EcoSystem Digital Control Wiring Diagram



Compatible Dimmers*:

Lutron ECO System

Pow Pak Dimming Modules
Energj Savr Node
Grafik Eye QS/Homeworks
QS Control Unit
Quantum Hub
Homeworks QS/My Room

Central System

Lutron EcoSystem compatible controls

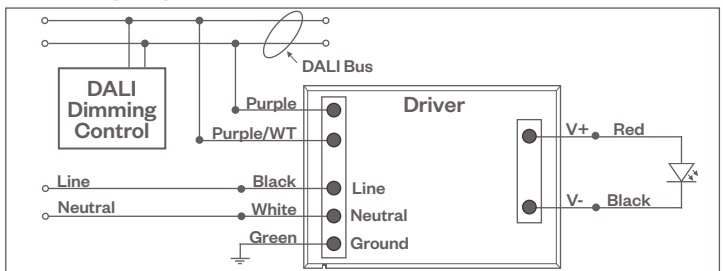
DALI DIMMING

Digital control protocol allows individual fixture control

Notes:

- 120VAC - 277VAC*
- Dims down to 1% light output in most cases

DALI Wiring Diagram



Compatible Dimmers*:

Wall Box (3-Wire Fluorescent)

Leviton CD250 Controller

Central System

Dynalite
Fifth Light

Notes:

- * Driver is 277VAC dimmable with appropriate dimmer (by others). All provided wiring diagrams show 120VAC wiring colors and method. Please refer to 277VAC dimmer manufacturer installation instructions for 277VAC wiring diagrams.
- † The absence of a dimmer from the lists above does not imply incompatibility. Please consult factory for compatibility inquiries.

Cylindrix® III Mini

Semi-Recessed Multiples



PROJECT:

TYPE:

EMERGENCY DIMMING

Wiring Diagram

