

# Cylindrix® III Mini Recessed Multiples

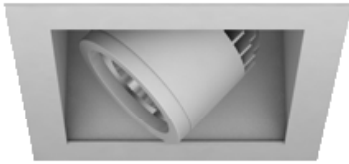


## Features

This powerful, compact member of our Cylindrix family enhances your design aesthetics. The new Cylindrix III Mini Multiples consist of tiny, passively cooled LED heads, with full dimming capacity. They deliver brilliant colors and crispest whites, utilizing a patent pending, field changeable optical system. Available in 1, 2, 3 or 4 light configurations.

## Product Overview

**Type:** Recessed Multiple, Accent & Display  
**Wattage:** 15, 18\*, 21 (\*VNSP only)  
**Color Temp:** 2200K, 2700K, 3000K, 3500K, 4000K  
**CRI:** 83 typ. (2700K, 3000K, 3500K, 4000K)  
 90+ typ. (2200K, 2700K, 3000K, 3500K, 4000K)  
 CrispWhite & 3K Class A LED's available  
**Dimming:** TRIAC & ELV (120/277VAC) - 5% Dim  
 Lutron LDE1 Hi-lume® 1% Soft-On/Fade-to-Black (120/277VAC)  
 0-10V (120/277VAC) - 1% Dim  
 DALI (120/277VAC) - 1% Dim



## PROJECT:

## TYPE:



2 Light



3 Light



4 Light (Trimless version shown)

## Fixture Summary (see following pages for more information)

### Fixture Type

| # of Heads | New Construction | Remodeler | Trim | Trimless |
|------------|------------------|-----------|------|----------|
| 1          | Yes              | No        | Yes  | Yes      |
| 2          | Yes              | No        | Yes  | Yes      |
| 3          | Yes              | No        | Yes  | Yes      |
| 4          | Yes              | No        | Yes  | Yes      |

See separate spec sheet for Semi-Recessed or Remodeler versions.

### Performance Chart

| Watts | Delivered Lumens | CBCP   | Color Temp |
|-------|------------------|--------|------------|
| 15    | 1,508            | 9,415  | 3000K-83   |
| 18*   | 1,096            | 24,308 | 3000K-83   |
| 21    | 2,125            | 13,260 | 3000K-83   |

\*Note: 18W is VNSP only

Data is based on 3000K-83 120v IES files available on website  
 15W & 21W data is based on Very Narrow Flood optics  
 18W data is Very Narrow Spot optic only  
 See pg 10-11 for beam spreads



# Cylindrix® III Mini

Recessed Multiples



## PROJECT:

## TYPE:

### Frame Ordering Information

**C3M-R/SR-NC-FRAME** . . . . .

**1**                      **2**                      **3**                      **4**                      **5**                      **6**

- |   |   |
|---|---|
| <p><b>1</b> <u>Model</u><br/><b>C3MR/SR-NC-FRAME</b> (new construction)</p> <p><b>2</b> <u>Style</u><br/>T - trimmed<br/>TL - trimless</p> <p><b>3</b> <u># of Heads</u><br/>1<br/>2<br/>3<br/>4</p> <p><b>4</b> <u>Voltage</u><br/>120<br/>277</p> | <p><b>5</b> <u>Driver</u><br/>LE/TE - TRIAC/ELV dimming, 5% dim<br/>HILUME-H-ECO - Lutron LDE1 Hi-lume® 1% Soft-On/Fade-to-Black<br/>0-10V - 0-10V dimming; 1% dim<br/>DALI - EldoLED; 1% dim</p> <p><b>6</b> <u>Options/Accessories</u><br/>EM* - emergency battery pack, available on 2, 3 or 4 light - powers only 1 head of the total fixture<br/><i>* If this option is selected, you must also select EM option in the Trim Ordering section.</i></p> |
|---|---|

### Trim Ordering Information

**C3MR-NC-TRIM** . . . . . **120-277** . . . . .

**1**                      **2**                      **3**                      **4**                      **5**                      **6**                      **7**                      **8**                      **9**                      **10**

- |   |   |
|---|---|
| <p><b>1</b> <u>Model</u><br/><b>C3MR-NC-TRIM</b> (new construction)</p> <p><b>2</b> <u>Style</u><br/>T - trimmed<br/>TL - trimless</p> <p><b>3</b> <u># of Heads</u><br/>1<br/>2<br/>3<br/>4</p> <p><b>4</b> <u>Wattage</u><br/>15<br/>18 (VNSP only)<br/>21</p> <p><b>5</b> <u>Finish</u> (for housing, head &amp; trim)<br/>WT - white texture<br/>BT - black texture<br/>ST - silver texture<br/><i>Other finishes, consult factory</i></p> <p><b>6</b> <u>Voltage</u><br/>120-277</p> <p><b>7</b> <u>Beam Spreads</u><br/>1LT    2LT    3LT    4LT<br/>VNSP VNSP VNSP VNSP (very narrow spot 8°, 18W only)<br/>SP    SP    SP    SP (spot 14°)<br/>VNF    VNF    VNF    VNF (very narrow flood 18°)<br/>NF    NF    NF    NF (narrow flood 23°)<br/>FL    FL    FL    FL (flood 34°)<br/>WF    WF    WF    WF (wide flood 44°)<br/>LS    LS    LS    LS (linear spread 60°x10°)</p> | <p><b>8</b> <u>Color Temp</u><br/>83 CRI:                      90+ CRI:<br/>27 - 2700K-83              229* - 2200K-90+              CRISP* - CrispWhite<br/>30 - 3000K-83              279 - 2700K-90+              3CLA - 3K Class A<br/>35 - 3500K-83              309 - 3000K-90+<br/>40 - 4000K-83              359 - 3500K-90+<br/>   409 - 4000K-90+<br/><i>* Not available for use with 18W VNSP</i></p> <p><b>9</b> <u>Driver</u> (for non-dimming select LE/TE option)<br/>LE/TE - TRIAC/ELV dimming, 5% dim<br/>HILUME-H-ECO - Lutron LDE1 Hi-lume® 1% Soft-On/Fade-to-Black<br/>0-10V - 0-10V dimming; 1% dim<br/>DALI - EldoLED; 1% dim</p> <p><b>10</b> <u>Options /Accessories</u><br/>(standard front door accepts up to 2 accessories)<br/>SN - snoot, 1" length, matte black interior, exterior finish matches fixture finish, accepts up to 2 accessories + cross blade)<br/>HEX - hexcell louver<br/>CB - cross blade, matte black finish (requires snoot)<br/>SOL - solite beam softening lens<br/>EM* - emergency battery pack, available on 2, 3 or 4 light - powers only 1 head of the total fixture<br/><i>* If this option is selected, you must also select EM option in the Frame Ordering section.</i></p> |
|---|---|

# Cylindrix® III Mini

Recessed Multiples



## PROJECT:

## TYPE:

### Specifications

#### Application

Retail and commercial accent and display lighting

#### Construction

- Stamped steel mounting frame with integral mounting bars
- Thermally protected (adds 2W to total fixture wattage)
- Steel driver housing
- Steel upper housing and laser cut trim ring
- Steel plaster frame (trimless only)
- Complete die-cast optical head construction

#### Optical

- Tilt: 0-35°x35° (R), 0-20°x40° (RTLX)
- Rotation: 360°+
- Beam Spreads: Very Narrow Spot, 8° (18w only); Spot, 14°; Very Narrow Flood, 18°; Narrow Flood, 23°; Flood, 34°; Wide Flood, 44°

#### LED

- Color Temp Options: 2200K, 2700K, 3000K, 3500K, 4000K
- CRI: 83 typ. (2700K, 3000K, 3500K, 4000K)
- 90+ typ. (2200K, 2700K, 3000K, 3500K, 4000K)
- CrispWhite\* LED available
- Class A\*\* 3000K LED available
- R9 Values: 11 (83 CRI), 55 (90+ CRI)
- Binning: 3 MacAdam (SDCM)
- Life: 50,000+ hrs, > 70% of initial lumens at 50,000 hrs

\*CrispWhite: CrispWhite Technology delivers the warmth of colors expected from a high 90 CRI solution but also creates the natural crisp white color similar to CMH sources. It creates impactful lighting by revealing the richest whites and vibrant colors that pop.

\*\*Class A LED: Class A LED's have a CRI > 80 and a GAI > 80. CRI defines color "Naturalness" and GAI defines color "Saturation." Both being high delivers rich colors and pure whites.

#### Electrical

- Wattage: 15, 18, 21
- Electronic constant current LED driver, 120/277VAC input
- This product complies with IEEE C62.41 for surge endurance up to 2.5KV. Amerlux® recommends using additional surge protection with this unit (supplied by others), surge and over voltage damage is not covered under warranty.

#### Drivers

- LE/TE - Leading Edge, TRIAC, forward phase/Trailing Edge, ELV, reverse phase
- 0-10V, Lutron and DALI systems also available
- See pages 12-14 for more dimming information

#### Finish

- Powder coat paint
- Consult Factory for custom finishes

#### Mounting

- For use in T-Grid or GB ceilings; max ceiling thickness 1"
- Adjustable hanger bars included (14 1/2" - 25" std.) (32"-48" Adjustable hanger bars available)
- Consult Factory for thicker ceilings

#### Certifications

- CSA listed to UL standards. Suitable for damp locations
- Indoor use only

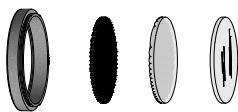
#### Warranty

- 5 year limited warranty

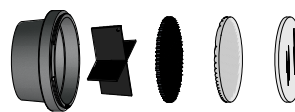
#### Emergency Battery Pack (EM)

- Powers single head of 2, 3 or 4 light multiple at 5.1 watts (approx. 400 Lm) for 90 minutes. Not available on 1 light multiple

### Accessories (diagrams show installation order)



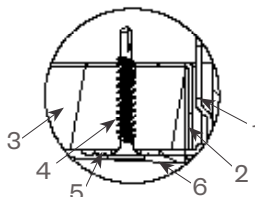
Front door/Accessory holder, hexcell, linear spread lens, solite lens



Snoot accessory holder, cross blade, hexcell, linear spread lens, solite lens

### Plaster Frame Installation Detail (for trimless fixture only)

1. Recessed extruded housing
2. Aperture plate
3. Ceiling 5/8"
4. Drywall screw (by others)
5. Plaster frame
6. Plaster skim coat (by others)



# Cylindrix® III Mini

Recessed Multiples



**PROJECT:**

**TYPE:**

## Electrical Data

**NOTE:** System Watts includes an additional 2W for thermal protector power consumption.

### 1 Light

|      | 1 x 15W      |      | 1 x 18W      |      | 1 x 21W      |      |
|------|--------------|------|--------------|------|--------------|------|
|      | System Watts | Amps | System Watts | Amps | System Watts | Amps |
| 120v | 17           | 0.14 | 20           | 0.17 | 23           | 0.19 |
| 277v | 17           | 0.06 | 20           | 0.07 | 23           | 0.08 |

*Electronic constant current LED driver*

### 2 Light

|      | 2 x 15W      |      | 2 x 18W      |      | 2 x 21W      |      |
|------|--------------|------|--------------|------|--------------|------|
|      | System Watts | Amps | System Watts | Amps | System Watts | Amps |
| 120v | 34           | 0.28 | 40           | 0.33 | 46           | 0.38 |
| 277v | 34           | 0.12 | 40           | 0.14 | 46           | 0.17 |

*Electronic constant current LED driver*

### 3 Light

|      | 3 x 15W      |      | 3 x 18W      |      | 3 x 21W      |      |
|------|--------------|------|--------------|------|--------------|------|
|      | System Watts | Amps | System Watts | Amps | System Watts | Amps |
| 120v | 51           | 0.43 | 60           | 0.5  | 69           | 0.58 |
| 277v | 51           | 0.18 | 60           | 0.22 | 69           | 0.25 |

*Electronic constant current LED driver*

### 4 Light

|      | 4 x 15W      |      | 4 x 18W      |      | 4 x 21W      |      |
|------|--------------|------|--------------|------|--------------|------|
|      | System Watts | Amps | System Watts | Amps | System Watts | Amps |
| 120v | 68           | 0.57 | 80           | 0.67 | 92           | 0.77 |
| 277v | 68           | 0.25 | 80           | 0.29 | 92           | 0.33 |

*Electronic constant current LED driver*

# Cylindrix® III Mini

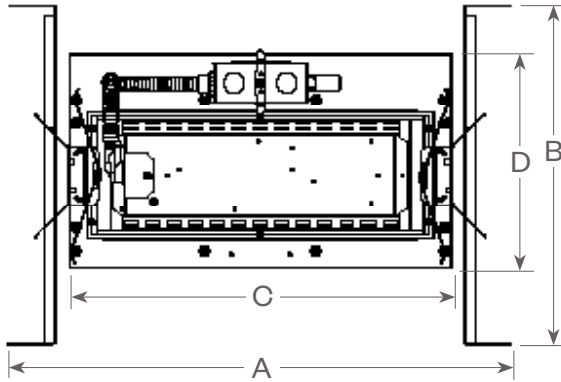
Recessed Multiples



**PROJECT:**

**TYPE:**

## Cylindrix III Mini Multiples: Recessed

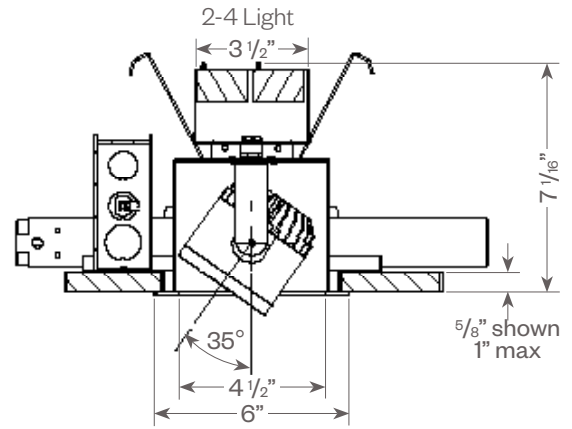
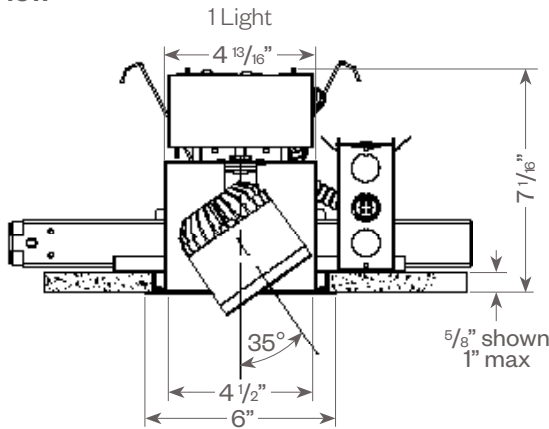


|          | 1 Light            | 2 Light            | 3 Light            | 4 Light            |
|----------|--------------------|--------------------|--------------------|--------------------|
| <b>A</b> | 12 1/8"            | 17"                | 21 1/2"            | 26"                |
| <b>B</b> | 14 1/2"<br>max 25" | 14 1/2"<br>max 25" | 14 1/2"<br>max 25" | 14 1/2"<br>max 25" |
| <b>C</b> | 7 1/8"             | 11 13/16"          | 16 5/16"           | 20 13/16"          |
| <b>D</b> | 9 1/8"             | 9 1/8"             | 9 1/8"             | 9 1/8"             |

**Ceiling cut out:** 1 Light - 5 9/16" x 5 9/16"  
 2 Light - 5 9/16" x 10 5/16"  
 3 Light - 5 9/16" x 14 13/16"  
 4 Light - 5 9/16" x 19 5/16"

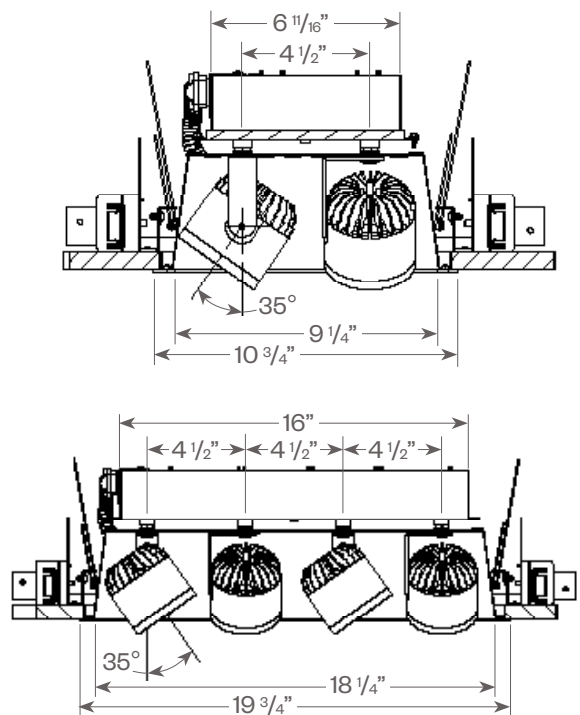
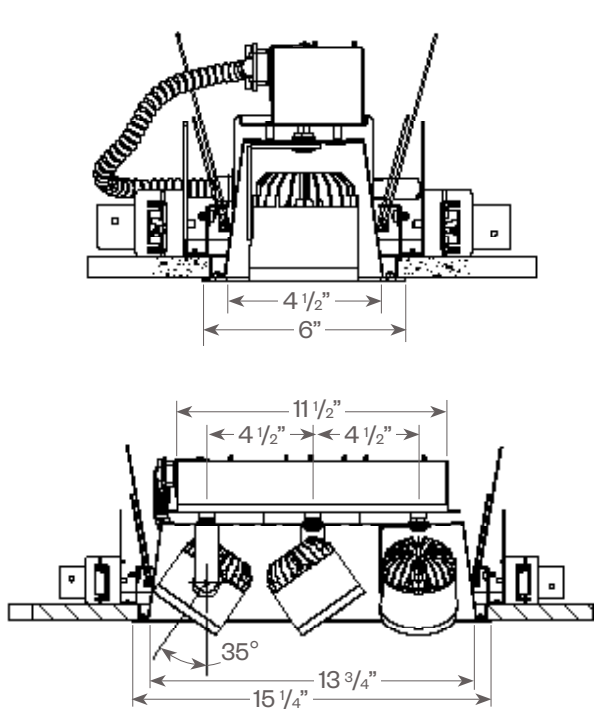
### End View

Standard Driver (ELV/TRIAC)



### Side View

Standard Driver (ELV/TRIAC)



# Cylindrix® III Mini

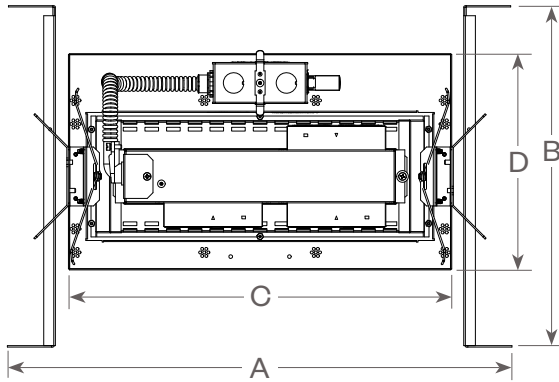
Recessed Multiples



**PROJECT:**

**TYPE:**

## Cylindrix III Mini Multiples: Recessed

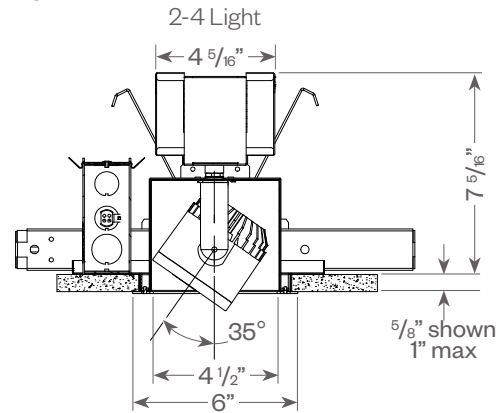
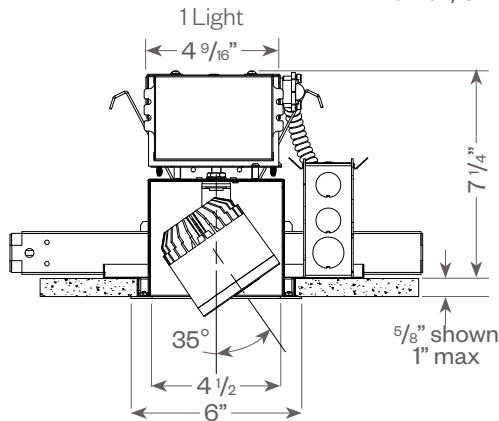


|          | 1 Light | 2 Light   | 3 Light  | 4 Light   |
|----------|---------|-----------|----------|-----------|
| <b>A</b> | 12 1/8" | 17"       | 21 1/2"  | 26"       |
| <b>B</b> | 14 1/2" | 14 1/2"   | 14 1/2"  | 14 1/2"   |
|          | max 25" | max 25"   | max 25"  | max 25"   |
| <b>C</b> | 7 1/8"  | 11 13/16" | 16 5/16" | 20 13/16" |
| <b>D</b> | 9 1/8"  | 9 1/8"    | 9 1/8"   | 9 1/8"    |

**Ceiling cut out:** 1 Light - 5 9/16" x 5 9/16"  
 2 Light - 5 9/16" x 10 5/16"  
 3 Light - 5 9/16" x 14 13/16"  
 4 Light - 5 9/16" x 19 5/16"

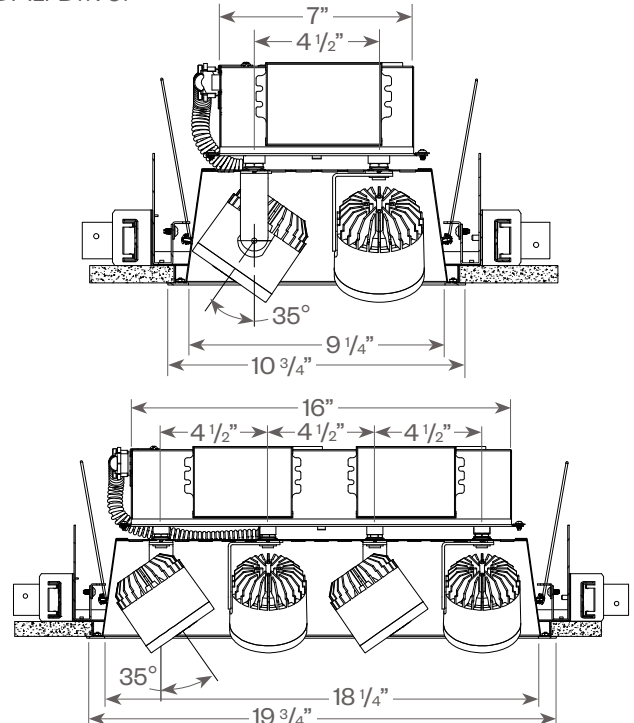
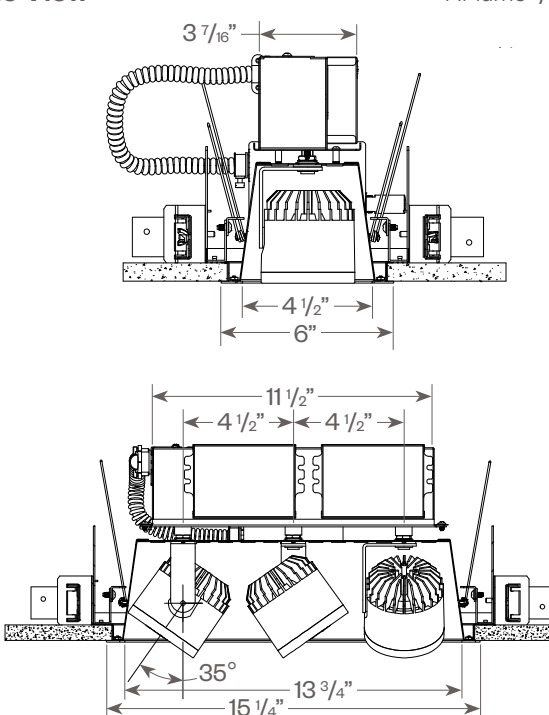
### End View

Hi-lume®/0-10V/DALI Driver



### Side View

Hi-lume®/0-10V/DALI Driver



# Cylindrix® III Mini

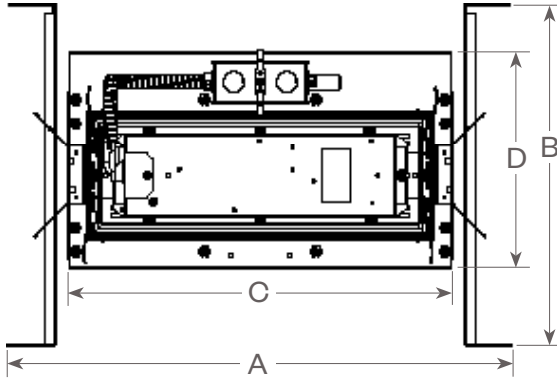
Recessed Multiples



**PROJECT:**

**TYPE:**

## Cylindrix III Mini Multiples: Recessed Trimless

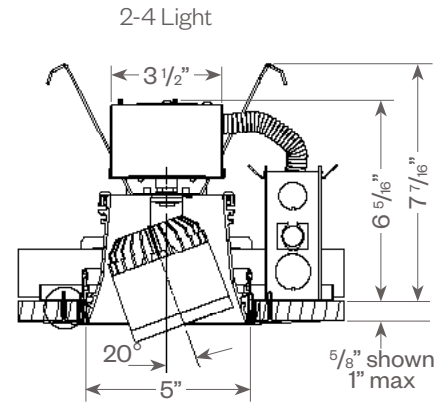
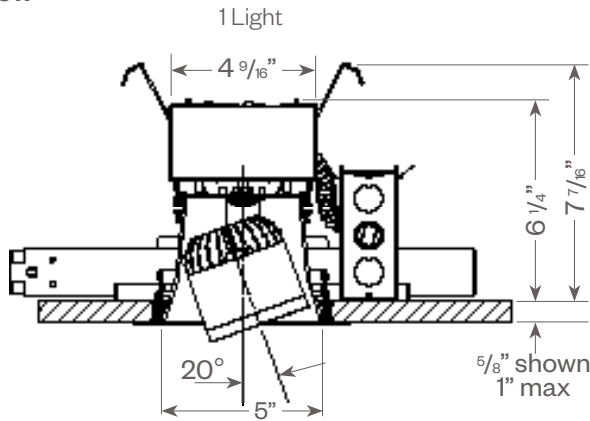


|   | 1 Light | 2 Light   | 3 Light  | 4 Light   |
|---|---------|-----------|----------|-----------|
| A | 12 1/8" | 17"       | 21 1/2"  | 26"       |
| B | 14 1/2" | 14 1/2"   | 14 1/2"  | 14 1/2"   |
|   | max 25" | max 25"   | max 25"  | max 25"   |
| C | 7 1/8"  | 11 13/16" | 16 5/16" | 20 13/16" |
| D | 9 1/8"  | 9 1/8"    | 9 1/8"   | 9 1/8"    |

**Ceiling cut out:** 1 Light - 5 9/16" x 5 9/16"  
 2 Light - 5 9/16" x 10 5/16"  
 3 Light - 5 9/16" x 14 13/16"  
 4 Light - 5 9/16" x 19 5/16"

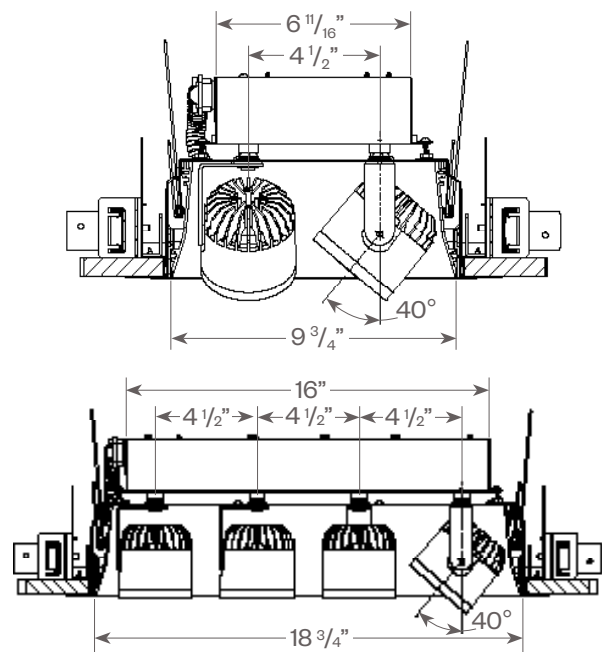
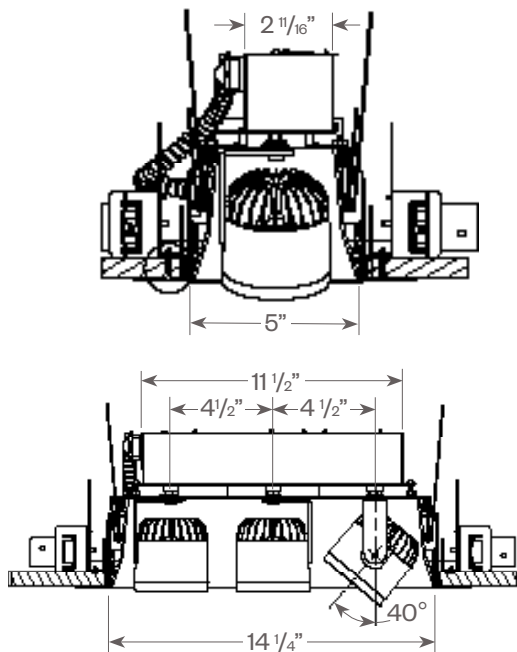
**End View**

Standard Driver (ELV/TRIAC)



**Side View**

Standard Driver (ELV/TRIAC)



# Cylindrix® III Mini

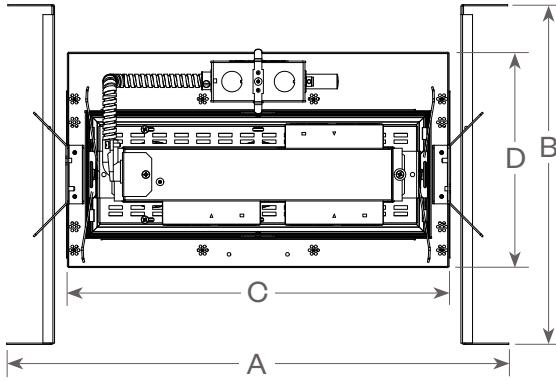
Recessed Multiples



**PROJECT:**

**TYPE:**

## Cylindrix III Mini Multiples: Recessed Trimless

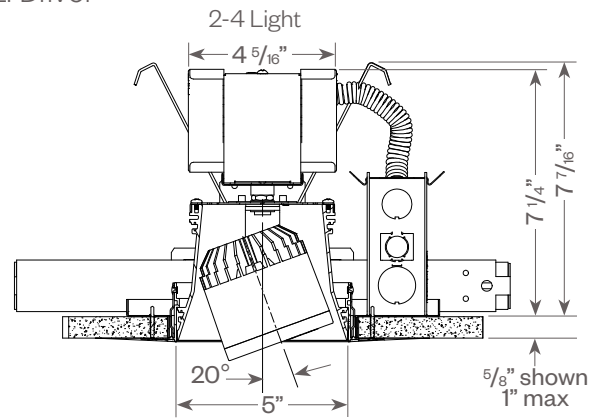
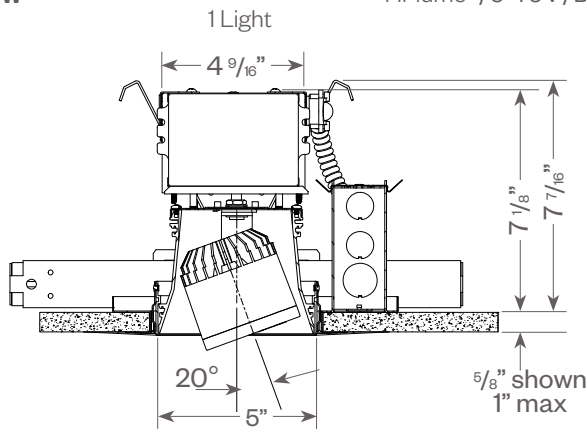


|          | 1 Light            | 2 Light            | 3 Light            | 4 Light            |
|----------|--------------------|--------------------|--------------------|--------------------|
| <b>A</b> | 12 1/8"            | 17"                | 21 1/2"            | 26"                |
| <b>B</b> | 14 1/2"<br>max 25" | 14 1/2"<br>max 25" | 14 1/2"<br>max 25" | 14 1/2"<br>max 25" |
| <b>C</b> | 7 1/8"             | 11 13/16"          | 16 5/16"           | 20 13/16"          |
| <b>D</b> | 9 1/8"             | 9 1/8"             | 9 1/8"             | 9 1/8"             |

**Ceiling cut out:** 1 Light - 5 9/16" x 5 9/16"  
 2 Light - 5 9/16" x 10 5/16"  
 3 Light - 5 9/16" x 14 13/16"  
 4 Light - 5 9/16" x 19 5/16"

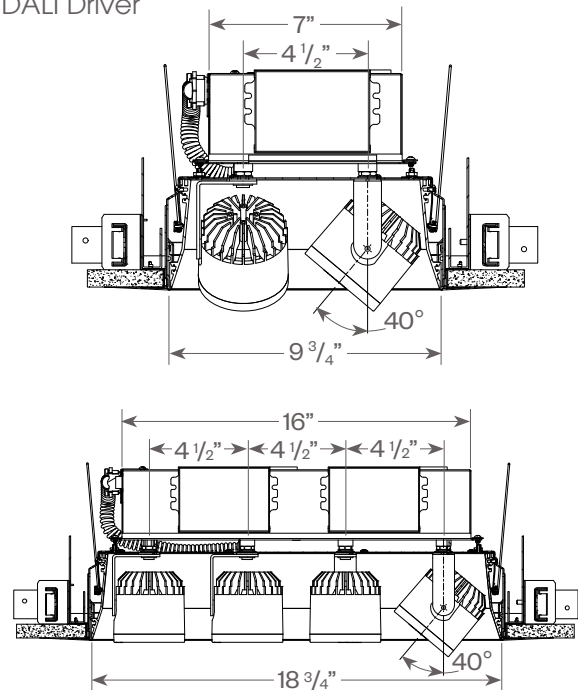
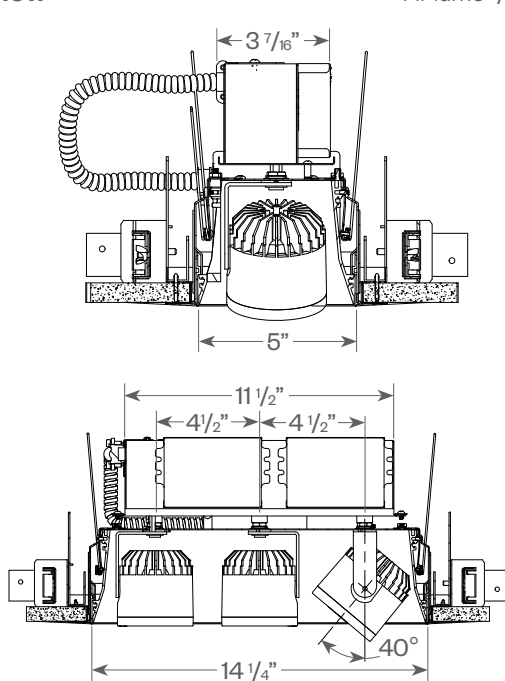
### End View

Hi-lume®/0-10V/DALI Driver



### Side View

Hi-lume®/0-10V/DALI Driver





# Cylindrix® III Mini

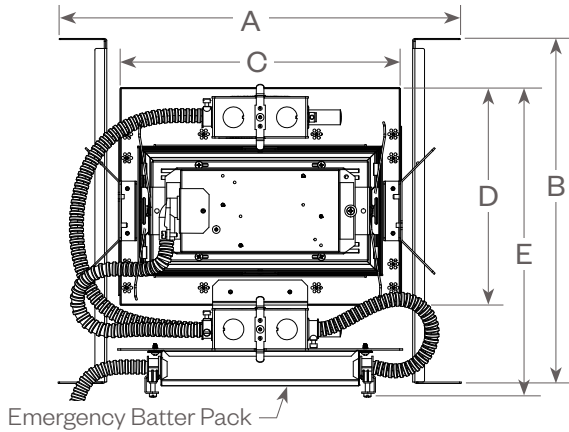
Recessed Multiples



**PROJECT:**

**TYPE:**

## Cylindrix III Mini Multiples: Recessed with Emergency Battery Pack (2-4 light only)

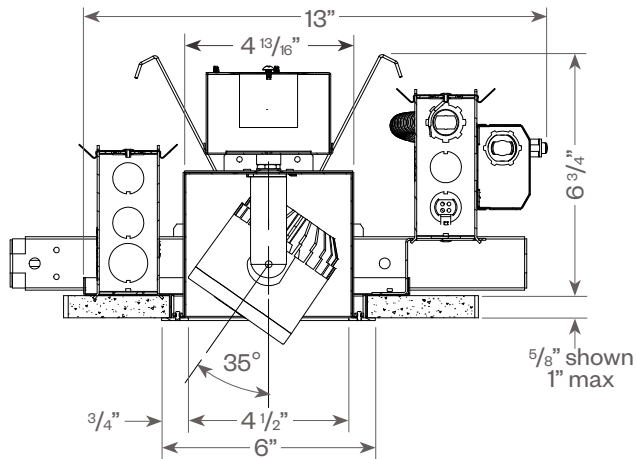


|          | 2 Light            | 3 Light            | 4 Light            |
|----------|--------------------|--------------------|--------------------|
| <b>A</b> | 17"                | 21 1/2"            | 26"                |
| <b>B</b> | 14 1/2"<br>max 25" | 14 1/2"<br>max 25" | 14 1/2"<br>max 25" |
| <b>C</b> | 11 13/16"          | 16 5/16"           | 20 13/16"          |
| <b>D</b> | 9 1/8"             | 9 1/8"             | 9 1/8"             |
| <b>E</b> | 13                 | 13                 | 13                 |

**Ceiling cut out:** 2 Light - 5 9/16" x 10 5/16"  
 3 Light - 5 9/16" x 14 13/16"  
 4 Light - 5 9/16" x 19 5/16"

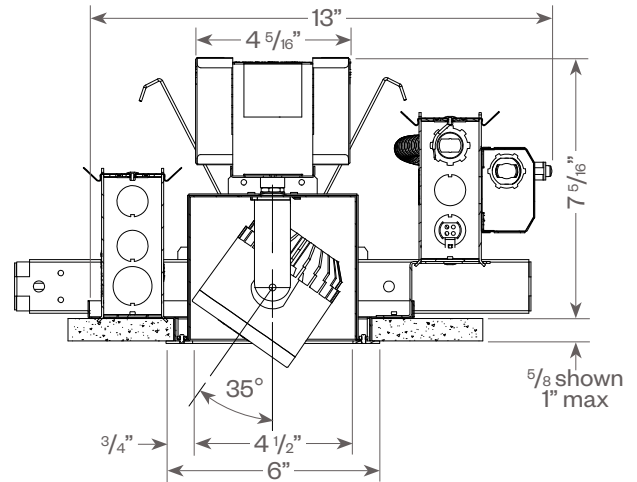
### End View

Standard Driver (ELV/TRIAC)  
2-4 Light

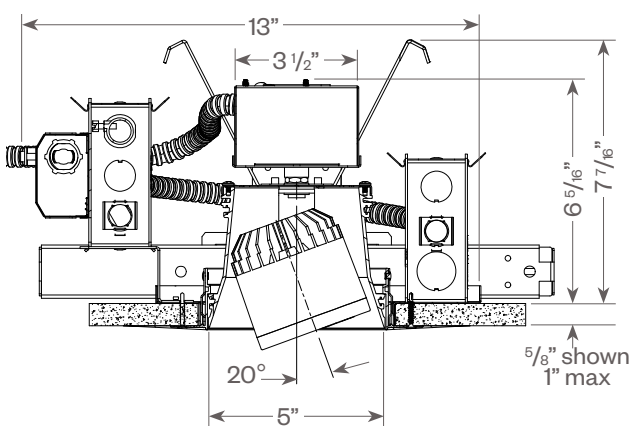


### Trimmed

Hi-lume®/0-10V/DALI Driver  
2-4 Light

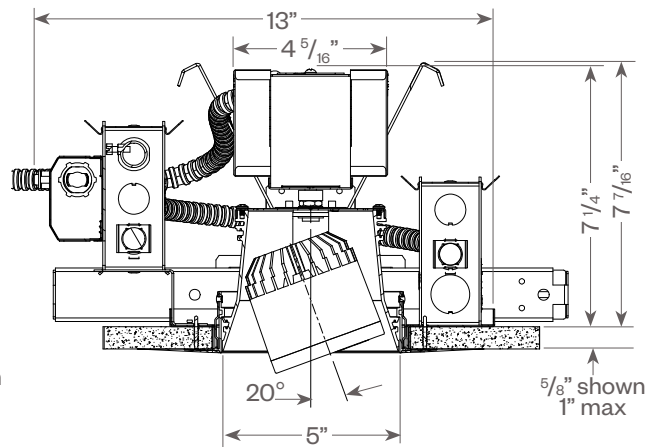


Standard Driver (ELV/TRIAC)  
2-4 Light



### Trimless

Hi-lume®/0-10V/DALI Driver  
2-4 Light



# Cylindrix® III Mini

Recessed Multiples



## PROJECT:

## TYPE:

**FIXTURE DATA:** (Complete photometric data (.ies format) available upon request)

**MULTIPLYING FACTORS:** (Multiplying Factor is based on 3000K-83 120V IES file on website)

| Wattage: | 15W  | 21W |
|----------|------|-----|
| Factor:  | 0.71 | 1.0 |

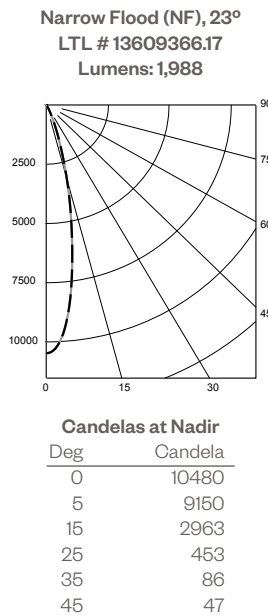
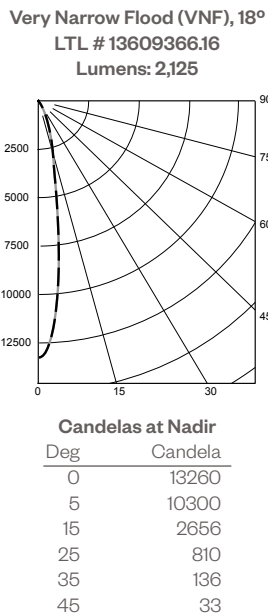
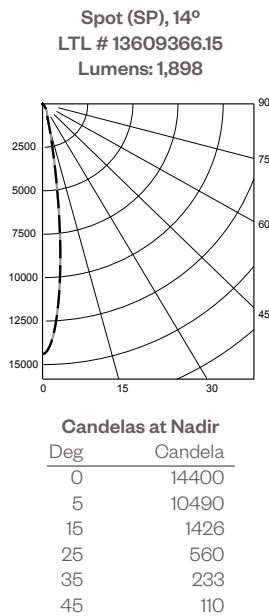
Note: For 18W (VNSP only) data see pg 11

| CCT:    | 2700K-83 | 3000K-83 | 3500K-83 | 4000K-83 |
|---------|----------|----------|----------|----------|
| Factor: | 0.96     | 1.0      | 1.02     | 1.04     |

| CCT:    | 2200K-90+ | 2700K-90+ | 3000K-90+ | 3500K-90+ | 4000K-90+ | CRISP | 3CLA |
|---------|-----------|-----------|-----------|-----------|-----------|-------|------|
| Factor: | 0.66      | 0.83      | 0.86      | 0.90      | 0.93      | 0.65  | 0.70 |

### 21W LED, 3000K-83

Note: Data per head

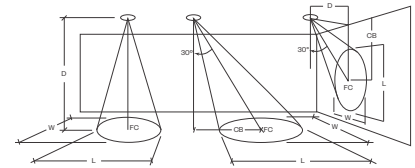


Note: For FL & WF data see pg 11

### APPLICATION DATA:

#### Notes and Definitions:

- Beam spread is to 50% center beam candlepower (CBCP).
- D=Distance to floor or wall.
- FC=Footcandles on floor or wall at center beam aiming location.
- L=Effective Visual Beam length in feet (50% of maximum footcandle level).
- W=Effective Visual Beam width in feet (50% of maximum footcandle level).
- CB=Distance across or down to center beam location.



|                   | 0° Aiming Angle<br>Horizontal<br>Footcandles |     |     |     | 30° Aiming Angle<br>Horizontal<br>Footcandles |     |     |     |     | 30° Aiming Angle<br>Vertical<br>Footcandles |     |     |     |     | 60° Aiming Angle<br>Vertical<br>Footcandles |     |     |     |     |
|-------------------|--|-----|-----|-----|---|-----|-----|-----|-----|---|-----|-----|-----|-----|---|-----|-----|-----|-----|
|                   | D  | FC  | L   | W   | D   | FC  | L   | W   | CB  | D   | FC  | L   | W   | CB  | D   | FC  | L   | W   | CB  |
| SPOT              | 5.0'   | 575 | 1.2 | 1.2 | 5.0'  | 371 | 1.6 | 1.4 | 3.0 | 3.0'  | 216 | 2.8 | 1.4 | 5.0 | 3.0'  | 779 | 1.3 | 1.1 | 2.0 |
|                   | 7.5'   | 256 | 1.9 | 1.9 | 7.5'  | 166 | 2.5 | 2.2 | 4.0 | 4.0'  | 130 | 3.5 | 1.8 | 6.0 | 4.0'  | 555 | 1.5 | 1.2 | 2.0 |
|                   | 10.0'  | 144 | 2.7 | 2.7 | 10.0'   | 92  | 3.4 | 3.0 | 6.0 | 5.0'  | 82  | 4.3 | 2.5 | 8.0 | 5.0'  | 361 | 1.8 | 1.4 | 3.0 |
|                   | 12.5'  | 93  | 3.2 | 3.2 | 12.5'   | 61  | 4.1 | 3.6 | 7.0 | 6.0'  | 58  | 5.2 | 2.9 | 9.0 | 6.0'  | 247 | 2.2 | 1.6 | 3.0 |
| VERY NARROW FLOOD | 5.0'   | 531 | 1.4 | 1.4 | 5.0'  | 342 | 1.9 | 1.5 | 3.0 | 3.0'  | 200 | 3.4 | 1.6 | 5.0 | 3.0'  | 745 | 1.5 | 1.2 | 2.0 |
|                   | 7.5'   | 236 | 2.2 | 2.2 | 7.5'  | 155 | 2.9 | 2.6 | 4.0 | 4.0'  | 124 | 4.1 | 2.1 | 6.0 | 4.0'  | 529 | 1.7 | 1.3 | 2.0 |
|                   | 10.0'  | 133 | 3.0 | 3.0 | 10.0'   | 85  | 3.9 | 3.4 | 6.0 | 5.0'  | 77  | 5.2 | 2.9 | 7.0 | 5.0'  | 333 | 2.1 | 1.6 | 3.0 |
|                   | 12.5'  | 85  | 3.6 | 3.6 | 12.5'   | 57  | 4.7 | 4.1 | 7.0 | 6.0'  | 56  | 6.2 | 3.2 | 9.0 | 6.0'  | 235 | 2.4 | 1.9 | 3.0 |
| NARROW FLOOD      | 5.0'   | 420 | 1.8 | 1.8 | 5.0'  | 271 | 2.5 | 2.2 | 3.0 | 3.0'  | 193 | 3.2 | 1.8 | 4.0 | 3.0'  | 628 | 1.9 | 1.3 | 2.0 |
|                   | 7.5'   | 187 | 2.9 | 2.9 | 7.5'  | 126 | 3.5 | 3.2 | 4.0 | 4.0'  | 105 | 4.5 | 2.8 | 6.0 | 4.0'  | 443 | 1.9 | 1.6 | 2.0 |
|                   | 10.0'  | 105 | 3.7 | 3.7 | 10.0'   | 71  | 4.8 | 4.2 | 5.0 | 5.0'  | 70  | 5.4 | 3.3 | 7.0 | 5.0'  | 265 | 2.6 | 2.2 | 3.0 |
|                   | 12.5'  | 67  | 4.7 | 4.7 | 12.5'   | 45  | 6.0 | 5.4 | 7.0 | 6.0'  | 49  | 6.6 | 3.9 | 8.0 | 6.0'  | 197 | 2.9 | 2.6 | 3.0 |

# Cylindrix® III Mini

Recessed Multiples



**PROJECT:**

**TYPE:**

**FIXTURE DATA:** (Complete photometric data (.ies format) available upon request)

**MULTIPLYING FACTORS:** (Multiplying Factor is based on 3000K-83 120V IES file on website)

|                 |            |            |
|-----------------|------------|------------|
| <b>Wattage:</b> | <b>15W</b> | <b>21W</b> |
| Factor:         | 0.71       | 1.0        |

|             |                 |                 |                 |                 |
|-------------|-----------------|-----------------|-----------------|-----------------|
| <b>CCT:</b> | <b>2700K-83</b> | <b>3000K-83</b> | <b>3500K-83</b> | <b>4000K-83</b> |
| Factor:     | 0.96            | 1.0             | 1.02            | 1.04            |

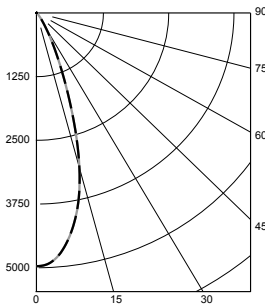
|             |                  |                  |                  |                  |                  |               |             |
|-------------|------------------|------------------|------------------|------------------|------------------|---------------|-------------|
| <b>CCT:</b> | <b>2200K-90+</b> | <b>2700K-90+</b> | <b>3000K-90+</b> | <b>3500K-90+</b> | <b>4000K-90+</b> | <b>CRISP*</b> | <b>3CLA</b> |
| Factor:     | 0.66             | 0.83             | 0.86             | 0.90             | 0.93             | 0.65          | 0.70        |

\* Not available for use with 18W VNSP

**21W LED, 3000K-83**

Note: Data per head

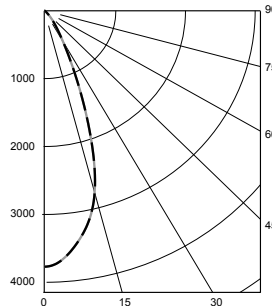
**Flood (FL), 34°**  
LTL # 13609366.18  
Lumens: 1,960



**Candelas at Nadir**

| Deg | Candela |
|-----|---------|
| 0   | 4970    |
| 5   | 4780    |
| 15  | 3130    |
| 25  | 913     |
| 35  | 193     |
| 45  | 55      |

**Wide Flood (WF), 44°**  
LTL # 13609366.19  
Lumens: 1,930



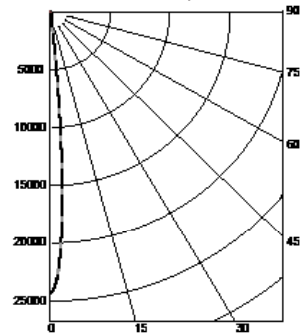
**Candelas at Nadir**

| Deg | Candela |
|-----|---------|
| 0   | 3771    |
| 5   | 3624    |
| 15  | 2758    |
| 25  | 1034    |
| 35  | 308     |
| 45  | 101     |

Note: For SP, VNF, NF data see pg 10

**18W LED, 3000K (VNSP only)**

**Very Narrow Spot (VNSP), 8°**  
LTL #1170140  
Lumens: 1,096



**Candelas at Nadir**

| Deg | Candela |
|-----|---------|
| 0   | 24308   |
| 5   | 8980    |
| 15  | 527     |
| 25  | 394     |
| 35  | 131     |
| 45  | 57      |

**APPLICATION DATA:**

**Notes and Definitions:**

Beam spread is to 50% center beam candlepower (CBCP).

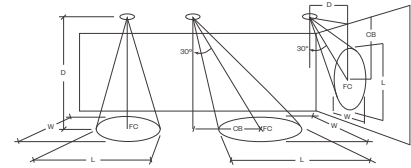
**D**=Distance to floor or wall.

**FC**=Footcandles on floor or wall at center beam aiming location.

**L**=Effective Visual Beam length in feet (50% of maximum footcandle level).

**W**=Effective Visual Beam width in feet (50% of maximum footcandle level).

**CB**=Distance across or down to center beam location.



|                                      | 0° Aiming Angle<br>Horizontal<br>Footcandles |     |     |     | 30° Aiming Angle<br>Horizontal<br>Footcandles |     |     |     |     | 30° Aiming Angle<br>Vertical<br>Footcandles |     |     |     |      | 60° Aiming Angle<br>Vertical<br>Footcandles |     |     |     |     |
|--------------------------------------|--|-----|-----|-----|---|-----|-----|-----|-----|---|-----|-----|-----|------|---|-----|-----|-----|-----|
|                                      | D  | FC  | L   | W   | D   | FC  | L   | W   | CB  | D   | FC  | L   | W   | CB   | D   | FC  | L   | W   | CB  |
| <b>FLOOD</b>                         | 5.0'   | 199 | 3.0 | 3.0 | 5.0'  | 141 | 3.5 | 3.1 | 2.0 | 3.0'  | 124 | 3.3 | 2.7 | 3.0  | 3.0'  | 372 | 2.2 | 1.8 | 1.0 |
|                                      | 7.5'   | 89  | 4.4 | 4.4 | 7.5'  | 63  | 5.2 | 4.8 | 3.0 | 4.0'  | 70  | 4.5 | 3.4 | 4.0  | 4.0'  | 221 | 2.9 | 2.7 | 2.0 |
|                                      | 10.0'  | 50  | 5.8 | 5.8 | 10.0'   | 36  | 6.9 | 6.4 | 4.0 | 5.0'  | 45  | 5.6 | 4.4 | 5.0  | 5.0'  | 143 | 3.5 | 3.1 | 2.0 |
|                                      | 12.5'  | 32  | 7.3 | 7.3 | 12.5'   | 23  | 8.6 | 8.0 | 6.0 | 6.0'  | 32  | 6.8 | 5.2 | 7.0  | 6.0'  | 98  | 4.2 | 3.9 | 3.0 |
|                                      |  |     |     |     |   |     |     |     |     |   |     |     |     |      |   |     |     |     |     |
| <b>WIDE FLOOD</b>                    | 5.0'   | 151 | 3.2 | 3.2 | 5.0'  | 110 | 3.8 | 3.5 | 2.0 | 3.0'  | 109 | 3.2 | 2.7 | 3.0  | 3.0'  | 303 | 2.3 | 2.0 | 1.0 |
|                                      | 7.5'   | 67  | 5.0 | 5.0 | 7.5'  | 49  | 5.6 | 5.4 | 3.0 | 4.0'  | 62  | 4.2 | 3.6 | 4.0  | 4.0'  | 167 | 3.1 | 3.0 | 2.0 |
|                                      | 10.0'  | 38  | 6.6 | 6.6 | 10.0'   | 28  | 7.5 | 7.3 | 4.0 | 5.0'  | 40  | 5.3 | 4.6 | 5.0  | 5.0'  | 111 | 3.8 | 3.5 | 2.0 |
|                                      | 12.5'  | 25  | 8.3 | 8.3 | 12.5'   | 18  | 9.5 | 9.1 | 5.0 | 6.0'  | 28  | 6.5 | 5.5 | 6.0  | 6.0'  | 76  | 4.6 | 4.5 | 2.0 |
|                                      |  |     |     |     |   |     |     |     |     |   |     |     |     |      |   |     |     |     |     |
| <b>18W only<br/>VERY NARROW SPOT</b> | 5.0'   | 967 | 1.0 | 1.0 | 5.0'  | 624 | 1.0 | 1.0 | 3.0 | 3.0'  | 360 | 1.5 | 1.0 | 5.0  | 3.0'  | 983 | 1.0 | 1.0 | 2.0 |
|                                      | 7.5'   | 431 | 1.1 | 1.1 | 7.5'  | 251 | 1.8 | 1.1 | 4.0 | 4.0'  | 185 | 2.4 | 1.1 | 7.0  | 4.0'  | 729 | 1.1 | 1.0 | 2.0 |
|                                      | 10.0'  | 243 | 1.3 | 1.3 | 10.0'   | 153 | 2.1 | 1.6 | 6.0 | 5.0'  | 129 | 2.7 | 1.2 | 8.0  | 5.0'  | 600 | 1.1 | 1.0 | 3.0 |
|                                      | 12.5'  | 156 | 1.8 | 1.8 | 12.5'   | 102 | 2.4 | 2.2 | 7.0 | 6.0'  | 90  | 3.3 | 1.6 | 10.0 | 6.0'  | 325 | 1.9 | 1.0 | 3.0 |
|                                      |  |     |     |     |   |     |     |     |     |   |     |     |     |      |   |     |     |     |     |

# Cylindrix® III Mini

Recessed Multiples



## PROJECT:

## TYPE:

### DIMMING COMPATIBILITY:

Amerlux® Cylindrix fixtures are compatible with all major dimming protocols prevalent in the United States. Please see below for general compatibilities and wiring diagrams. Amerlux recommends testing your unique dimming configuration as the exact full configuration (Dimmer, Fixture Quantity, Voltage, etc) may affect dimming performance.

**--- NOTE: INFORMATION BELOW IS FOR WIRED DIMMERS ONLY. FOR WIRELESS DIMMERS, CONSULT FACTORY ---**

### TRIAC (Forward Phase) DIMMING (Standard)

Utilizes standard TRIAC dimmers that are in wide use in installations across the US. Best for retrofit applications where TRIAC dimmers are installed.

#### Notes:

- 120VAC or 277VAC\*
- Dims down to 5% light output (most cases)
- Consult Dimming manufacturer for installation instructions - DO NOT SHARE NEUTRALS!
- Must meet dimmer Minimum Load Requirements per dimming manufacturer

#### Compatible Dimmers†:

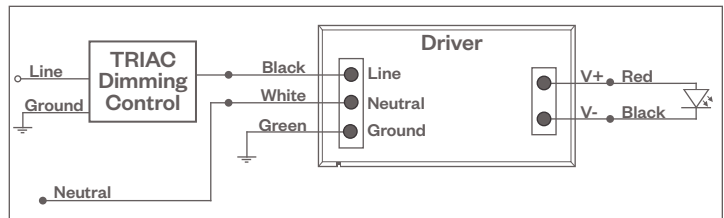
##### Wall Box (TRIAC 120VAC)

Lutron "Diva"  
Lutron "Nova-T"  
Lutron "Maestro"  
Lutron "Skylark"

##### Central System

Lutron "GP" Panel  
Lutron Grafik Eye QS

TRIAC Wiring Diagram



### ELV - Electronic Low Voltage (Reverse Phase) DIMMING (Standard)

Utilizes specialized "ELV" dimmers.

#### Notes:

- 120VAC or 277VAC\*
- Dims down to 5% light output (most cases)
- Consult Dimming manufacturer for installation instructions - DO NOT SHARE NEUTRALS!
- Must meet dimmer Minimum Load Requirements

#### Compatible Dimmers†:

##### Wall Box (ELV 120VAC)

Lutron "Diva"  
Lutron "Nova-T"  
Lutron "Maestro"  
Lutron "Skylark"  
Leviton "Surslide"  
Leviton "Vizio"

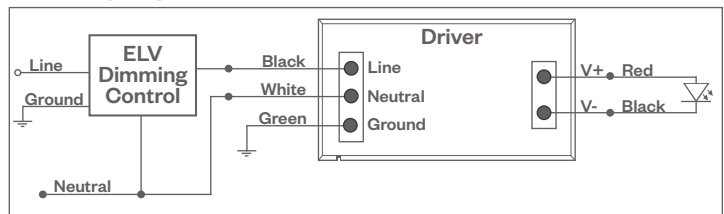
##### Wall Box (ELV 277VAC)

Leviton Revoir II AWSMT-E

##### Central System

Lutron "GP" Panel with PHPM-PA 120/277VAC  
Lutron Grafik Eye QS with PHPM-PA 120/277VAC

ELV Wiring Diagram



#### Notes:

- \* Driver is 277VAC dimmable with appropriate dimmer (by others). All provided wiring diagrams show 120VAC wiring colors and method. Please refer to 277VAC dimmer manufacturer installation instructions for 277VAC wiring diagrams.
- † The absence of a dimmer from the lists above does not imply incompatibility. Please consult factory for compatibility inquiries.

# Cylindrix® III Mini

Recessed Multiples



## PROJECT:

## TYPE:

### DIMMING COMPATIBILITY:

Amerlux® Cylindrix fixtures are compatible with all major dimming protocols prevalent in the United States. Please see below for general compatibilities and wiring diagrams. Amerlux recommends testing your unique dimming configuration as the exact full configuration (Dimmer, Fixture Quantity, Voltage, etc) may affect dimming performance.

**--- NOTE: INFORMATION BELOW IS FOR WIRED DIMMERS ONLY. FOR WIRELESS DIMMERS, CONSULT FACTORY ---**

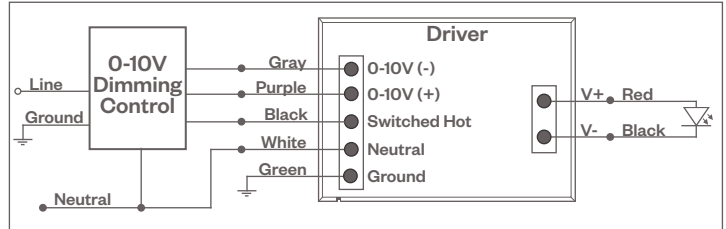
### 0-10V DIMMING

Integrates into a variety of building management and daylighting controls

#### Notes:

- 120VAC or 277VAC\*
- Dims down to 1% light output
- Requires interface to turn off power to driver
- Consult Dimming manufacturer for installation instructions - DO NOT SHARE NEUTRALS!

0-10V Wiring Diagram



#### Compatible Dimmers\*:

##### Wall Box

Lutron "Diva" - DVSTV | Leviton Renoir II 0-10V

##### Central System

Lutron Grafik Eye with GRX-TV1 Interface

### LUTRON LDE1 DIMMING

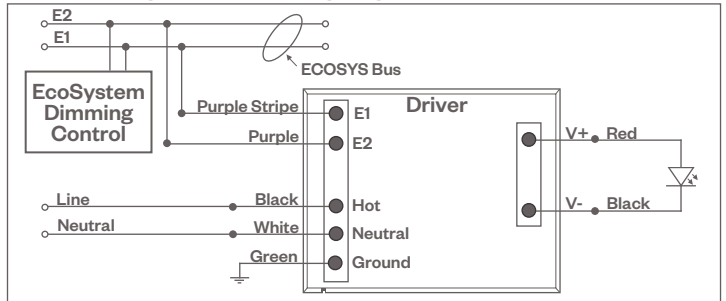
Integrates into Lutron EcoSystem building management

#### Notes:

- 120VAC or 277VAC\*
- Dims down to 1% Soft-On/Fade-to-Black
- EcoSystem Control
- Consult Dimming manufacturer for installation instructions - DO NOT SHARE NEUTRALS!

Lutron LDE1 (HILUME-H-ECO)

EcoSystem Digital Control Wiring Diagram



#### Compatible Dimmers\*:

##### Lutron ECO System

Pow Pak Dimming Modules  
Energj Savr Node  
Grafik Eye QS/Homeworks  
QS Control Unit  
Quantum Hub  
Homeworks QS/My Room

##### Central System

Lutron EcoSystem compatible controls

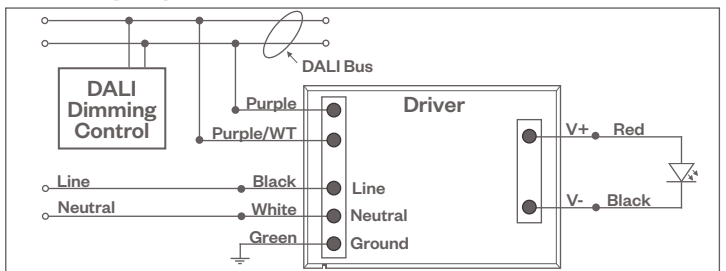
### DALI DIMMING

Digital control protocol allows individual fixture control

#### Notes:

- 120VAC - 277VAC\*
- Dims down to 1% light output in most cases

DALI Wiring Diagram



#### Compatible Dimmers\*:

##### Wall Box (3-Wire Fluorescent)

Leviton CD250 Controller

##### Central System

Dynalite  
Fifth Light

#### Notes:

- \* Driver is 277VAC dimmable with appropriate dimmer (by others). All provided wiring diagrams show 120VAC wiring colors and method. Please refer to 277VAC dimmer manufacturer installation instructions for 277VAC wiring diagrams.
- † The absence of a dimmer from the lists above does not imply incompatibility. Please consult factory for compatibility inquiries.

# Cylindrix® III Mini

Recessed Multiples



PROJECT:

TYPE:

## EMERGENCY DIMMING

### Wiring Diagram

