

# Cylindrix® III Mini

## Remodeler Multiples



**PROJECT:**

**TYPE:**

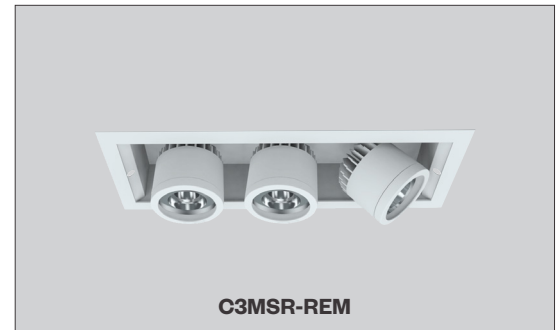
### Features

This powerful, compact member of our Cylindrix family enhances your design aesthetics. The new Cylindrix III Mini Multiples consist of tiny, passively cooled LED heads, with full dimming capacity. They deliver brilliant colors and crispest whites, utilizing a patent pending, field changeable optical system. Available in 1, 2, 3 or 4 light configurations and are designed for from-below installation in existing ceilings.



### Product Overview

Type: Remodeler Multiple, Accent & Display  
 Wattage: 15W, 18W\*, 21W (\*VNSP only)  
 Color Temp: 2200K, 2700K, 3000K, 3500K, 4000K  
 CRI: 83 typ. (2700K, 3000K, 3500K, 4000K)  
 90+ typ. (2200K, 2700K, 3000K, 3500K, 4000K)  
 CrispWhite & 3K Class A LEDs available  
 Dimming: TRIAC & ELV, 5% Dim, 120/277VAC  
 Lutron LDE1 Hi-lume® 1% Dim Soft-On/Fade-to-Black, 120/277VAC  
 0-10V, 1% Dim, 120/277VAC  
 DALI, 1% Dim, 120/277VAC



### Certifications



### Fixture Summary

#### Fixture Type

# of Heads	New Construction	Remodeler	Trim	Trimless
1	No	Yes	Yes	No
2	No	Yes	Yes	No
3	No	Yes	Yes	No
4	No	Yes	Yes	No

See separate spec sheet for Recessed or Semi-Recessed versions.

#### Performance Data

Watts	Delivered Lumens	LPW	CBCP	Color Temp-CRI
15	1508	100.5	9,415	3000K-83
18*	1096	60.2	24,308	3000K-83
21	2125	105	13,206	3000K-83

\* Note: 18W is VNSP only

Data is based on 3000K-83 120V IES files available on website.

15W & 21W data is based on Very Narrow Flood optics. 18W data is Very Narrow Spot optic only.

See pg 9-10 for other beam spreads.

# Cylindrix® III Mini

Remodeler Multiples



PROJECT:

TYPE:

## Ordering Information

1	2	3	4	5	6	7	8	9
<b>1 Model</b>	<b>2 # of Heads</b>	<b>3 Wattage</b>	<b>4 Finish (for housing, head &amp; trim)</b>	<b>5 Voltage</b>				
<b>C3MR-REM</b> (recessed remodeler)	1	15	<b>WT</b> white texture	120				
<b>C3MSR-REM</b> (semi-recessed remodeler)	2	18 (VNSP only)	<b>BT</b> black texture	277				
	3	21	<b>ST</b> silver texture					
	4		Other finishes, consult factory.					
<b>6 Beam Spread</b>					<b>7 Options</b>			
1LT 2LT 3LT 4LT					83 CRI 90+ CRI			
VNSP VNSP VNSP VNSP (very narrow spot 8°, 18W only)					27 2700K-83 229* 2200K-90+ CRISP* CrispWhite			
SP SP SP SP (spot 14°)					30 3000K-83 279 2700K-90+ 3CLA 3000K Class A			
VNF VNF VNF VNF (very narrow flood 18°)					35 3500K-83 309 3000K-90+			
NF NF NF NF (narrow flood 23°)					40 4000K-83 359 3500K-90+			
FL FL FL FL (flood 34°)					409 4000K-90+			
WF WF WF WF (wide flood 44°)					* Not available for use with 18W VNSP.			
LS LS LS LS (linear spread 60°x10°)								
<b>8 Driver (for non-dimming select LE/TE option)</b>					<b>9 Options/Accessories</b>			
LE/TE TRIAC/ELV dimming, 5% dim					(standard front door accepts up to 2 accessories)			
HILUME-H-ECO Lutron LDE1 Hi-lume® 1% dim Soft-On/Fade-to-Black					SN snoot, 1" length, matte black interior, exterior finish matches fixture finish (accepts up to 2 accessories + cross blade)			
0-10V 0-10V dimming, 1% dim					HEX hexcell louver			
DALI EldoLED; 1% dim					CB cross blade, matte black finish (requires snoot)			
					SOL solite beam softening lens			

# Cylindrix® III Mini

## Remodeler Multiples



PROJECT:

TYPE:

### Specifications

#### Application

Retail and commercial accent and display lighting

#### Construction

Thermally protected (*adds 2W to total fixture wattage*)  
Steel driver housing  
Steel upper housing and laser cut trim ring  
Complete die-cast optical head construction

#### Optical

Tilt: 0-35°x35° (R-REM), 0-45°x45° (SR-REM)  
Rotation: 360°+  
Beam Spreads: Very Narrow Spot, 8° (18W only); Spot, 14°;  
Very Narrow Flood, 18°; Narrow Flood, 23°; Flood, 34°;  
Wide Flood, 44°

#### LED

Color Temp Options: 2200K, 2700K, 3000K, 3500K, 4000K

CRI: 83 typ. (2700K, 3000K, 3500K, 4000K)

90+ typ. (2200K, 2700K, 3000K, 3500K, 4000K)

CrispWhite\* and Class A\*\* LEDs available

R9 Values: 11 (83 CRI), 55 (90+ CRI)

Binning: 3 MacAdam (SDCM)

Life: 50,000+ hrs, > 70% of initial lumens at 50,000 hrs

\* *CrispWhite: CrispWhite Technology delivers the warmth of colors expected from a high 90 CRI solution but also creates the natural crisp white color that is pleasing to the eye. It creates the most impactful lighting ever available, by revealing the richest whites and vibrant colors that pop.*

\*\* *Class A LED: Class A LED's have a CRI > 80 and a GAI > 80. CRI defines color "Naturalness" and GAI defines color "Saturation." Both being high delivers rich colors and pure whites.*

#### Electrical

Wattage: 15, 18, 21

Electronic constant current LED driver, 120/277VAC input

***This product complies with IEEE C62.41 for surge endurance up to 2.5KV. Amerlux® recommends using additional surge protection with this unit (supplied by others), surge and over voltage damage is not covered under warranty.***

#### Drivers

LE/TE - Leading Edge (Triac, Forward Phase) or Trailing Edge (ELV, Reverse Phase) autosensing driver dims down to 5% on most dimming systems.

0-10V, Lutron and DALI systems also available

See pages 11-12 for more dimming information

#### Finish

Powder coat paint

Consult Factory for custom finishes

#### Mounting

Swing out lugs permit from below mounting into gyp or wood type ceilings, 5/8" min - 1-1/2" max thickness

#### Certifications

CSA listed to UL standards. Suitable for damp locations  
Indoor use only

#### Warranty

5 year limited warranty

# Cylindrix® III Mini

## Remodeler Multiples



<b>PROJECT:</b>	<b>TYPE:</b>
-----------------	--------------

### Electrical Data

*NOTE: System Watts includes an additional 2W for thermal protector power consumption.*

#### 1 Light

	1 x 15W		1 x 18W		1 x 21W	
Voltage	System Watts	Amps	SystemWatts	Amps	System Watts	Amps
120V	17	0.14	20	0.17	23	0.19
277V	17	0.06	20	0.07	23	0.08

*Electronic constant current LED driver.*

#### 2 Light

	2 x 15W		2 x 18W		2 x 21W	
Voltage	System Watts	Amps	SystemWatts	Amps	System Watts	Amps
120V	34	0.28	40	0.33	46	0.38
277V	34	0.12	40	0.14	46	0.17

*Electronic constant current LED driver.*

#### 3 Light

	3 x 15W		3 x 18W		3 x 21W	
Voltage	System Watts	Amps	SystemWatts	Amps	System Watts	Amps
120V	51	0.43	60	0.5	69	0.58
277V	51	0.18	60	0.22	69	0.25

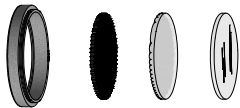
*Electronic constant current LED driver.*

#### 4 Light

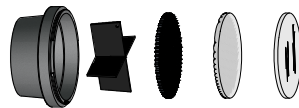
	4 x 15W		4 x 18W		4 x 21W	
Voltage	System Watts	Amps	SystemWatts	Amps	System Watts	Amps
120V	68	0.57	80	0.67	92	0.77
277V	68	0.25	80	0.29	92	0.33

*Electronic constant current LED driver.*

### Accessories (diagrams show installation order)



Front door/Accessory holder, hexcell, linear spread lens, solite lens



Snoot accessory holder, cross blade, hexcell, linear spread lens, solite lens

# Cylindrix® III Mini

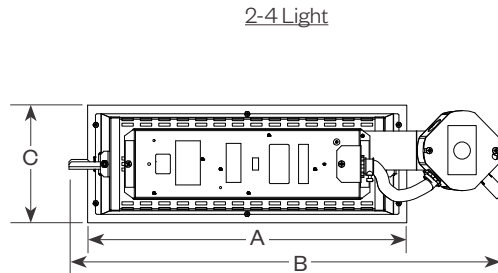
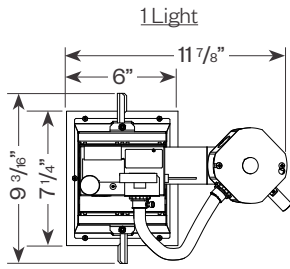
Remodeler Multiples



PROJECT:

TYPE:

## Product Details - Recessed Remodeler with ELV/TRIAC Driver

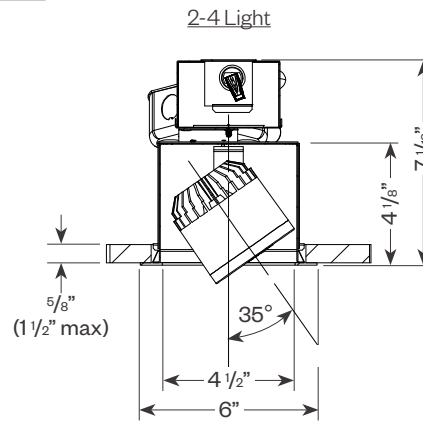
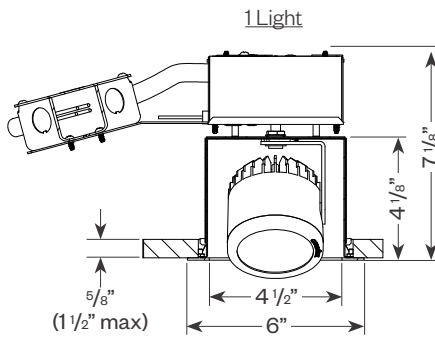


	2 Light	3 Light	4 Light
A	11 3/4"	16 1/4"	20 3/4"
B	17 1/2"	22"	26 1/2"
C	6"	6"	6"

**Ceiling Cut Out:** 1 Light - 5 1/4" x 6 5/8"  
 2 Light - 5 1/4" x 11 1/8"  
 3 Light - 5 1/4" x 15 5/8"  
 4 Light - 5 1/4" x 20 1/8"

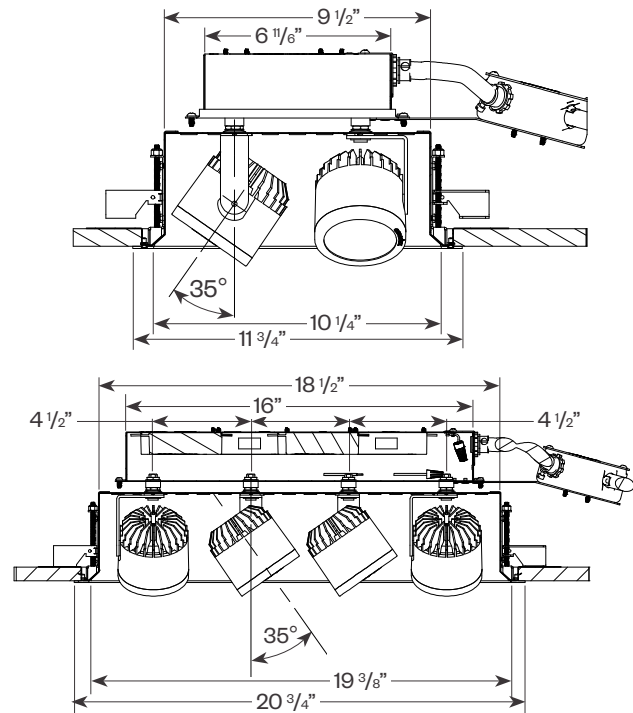
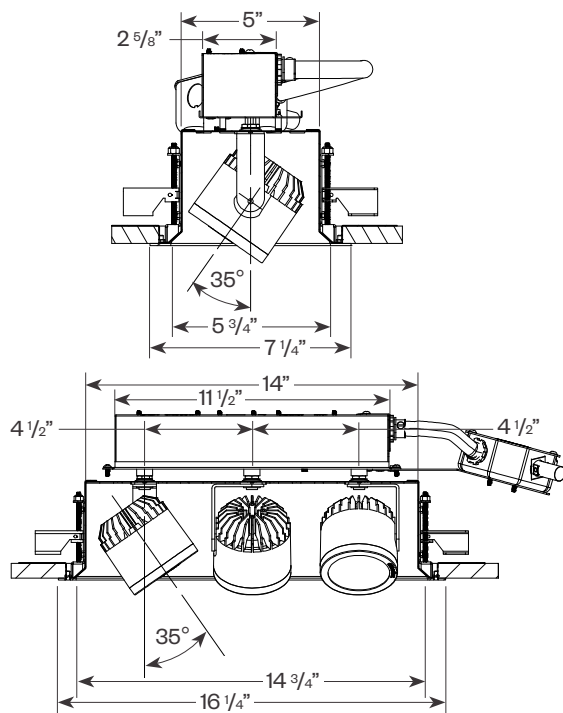
### End View

#### Standard Driver (ELV/TRIAC)



### Side View

#### Standard Driver (ELV/TRIAC)



# Cylindrix® III Mini

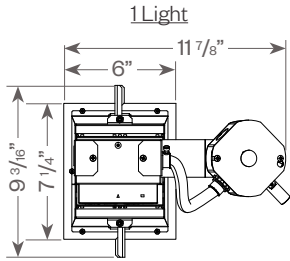
Remodeler Multiples



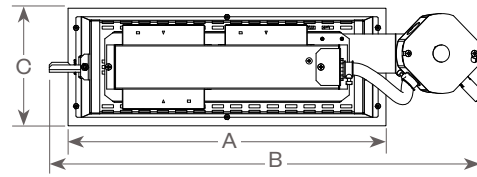
PROJECT:

TYPE:

## Product Details - Recessed Remodeler with Hi-lume®/0-10V/DALI Driver



2-4 Light

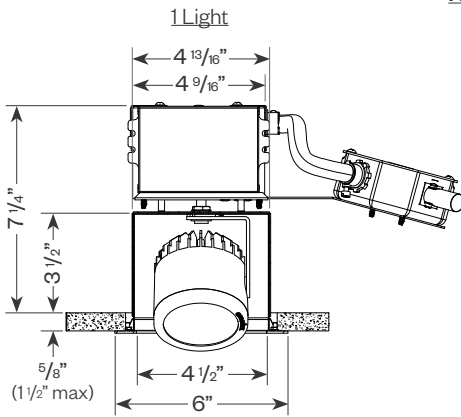


	2 Light	3 Light	4 Light
A	11 9/4"	16 1/4"	20 3/4"
B	17 1/2"	22"	26 1/2"
C	6"	6"	6"

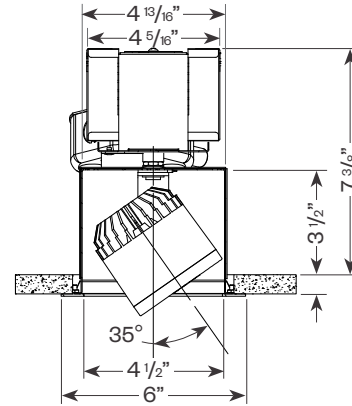
**Ceiling Cut Out:** 1 Light - 5 1/4" x 6 5/8"  
 2 Light - 5 1/4" x 11 1/8"  
 3 Light - 5 1/4" x 15 5/8"  
 4 Light - 5 1/4" x 20 1/8"

### End View

Hi-lume®/0-10V/DALI Driver

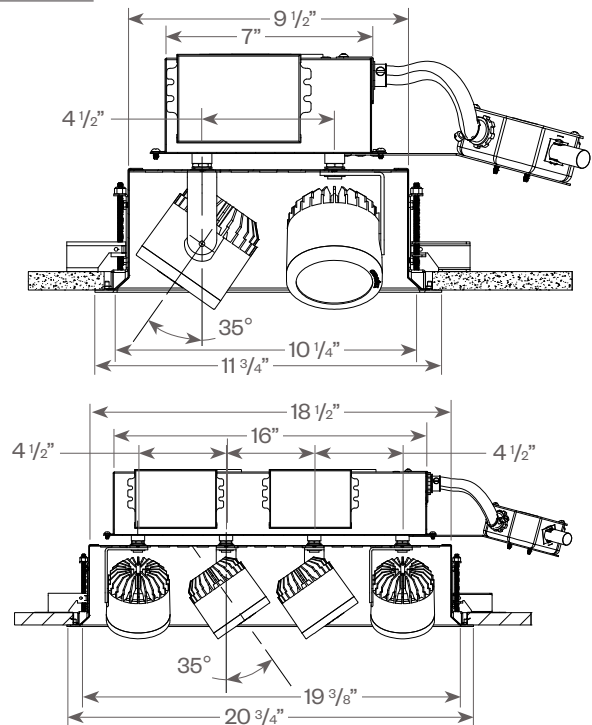
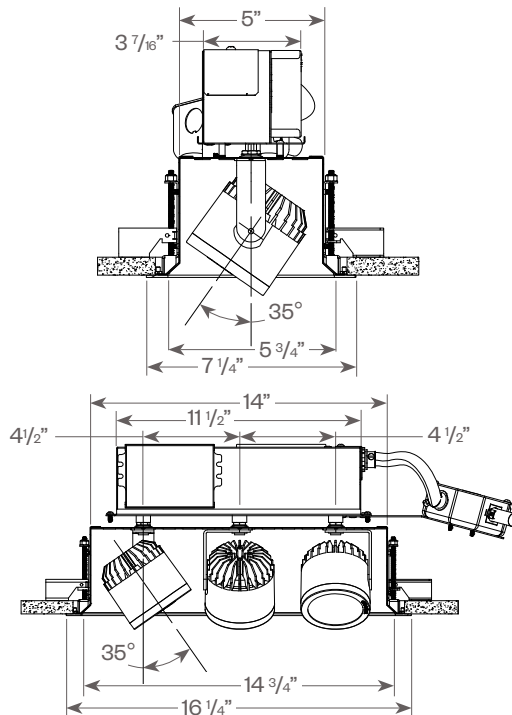


2-4 Light



### Side View

Hi-lume®/0-10V/DALI Driver



Delta Intelligent Building Technologies

# Cylindrix® III Mini

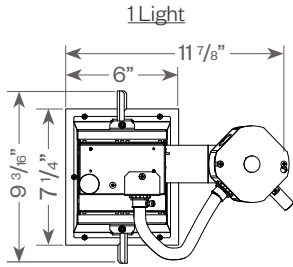
Remodeler Multiples



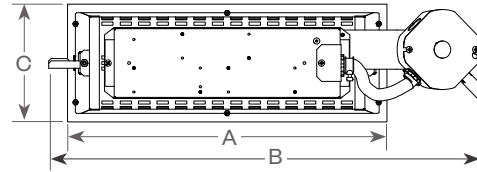
PROJECT:

TYPE:

## Product Details - Semi-Recessed Remodeler with ELV/TRIAC Driver



2-4 Light

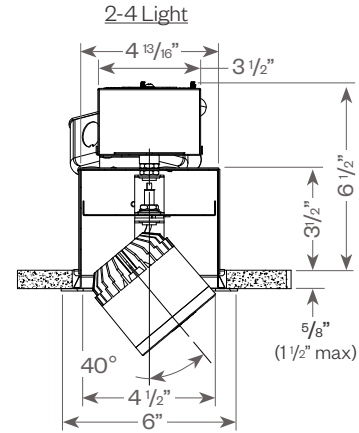
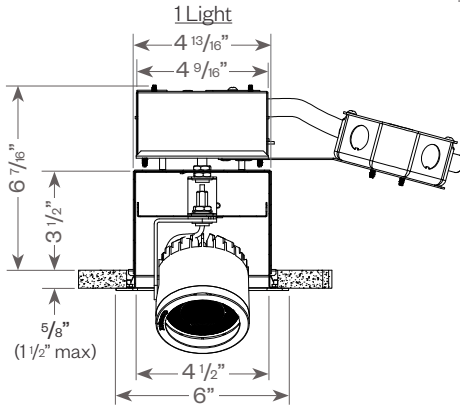


	2 Light	3 Light	4 Light
A	11 3/4"	16 1/4"	20 3/4"
B	17 1/2"	22"	26 1/2"
C	6"	6"	6"

**Ceiling Cut Out:** 1 Light - 5 1/4" x 6 5/8"  
 2 Light - 5 1/4" x 11 1/8"  
 3 Light - 5 1/4" x 15 5/8"  
 4 Light - 5 1/4" x 20 1/8"

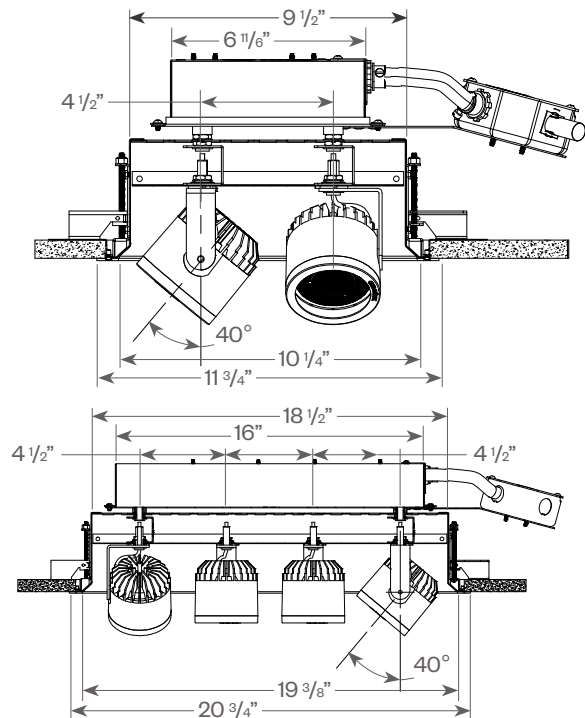
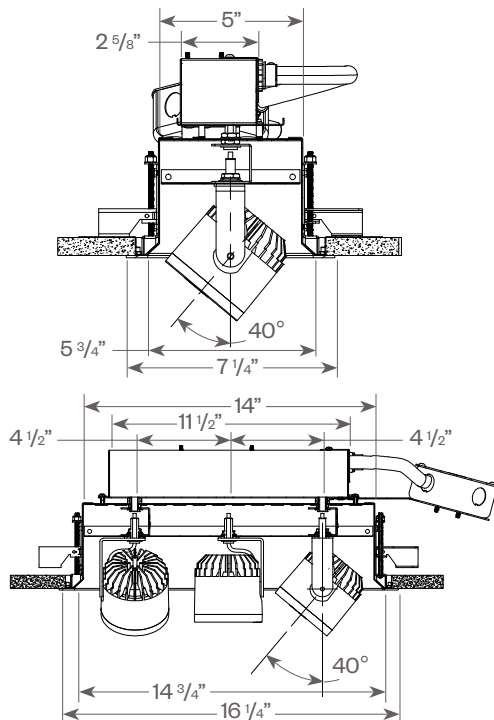
### End View

Standard Driver (ELV/TRIAC)



### Side View

Standard Driver (ELV/TRIAC)



# Cylindrix® III Mini

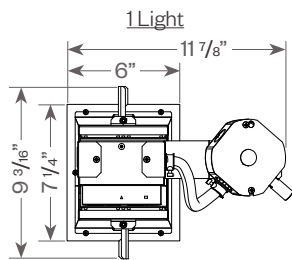
Remodeler Multiples



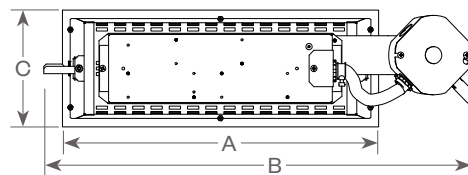
PROJECT:

TYPE:

## Product Details - Semi-Recessed Remodeler with Hi-lume®/0-10V/DALI Driver



2-4 Light

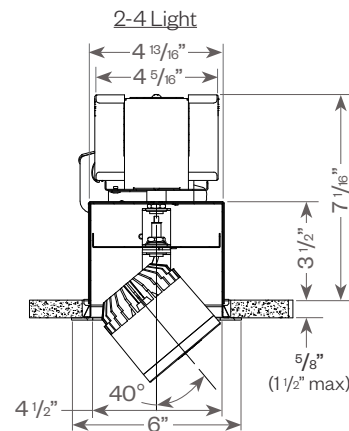
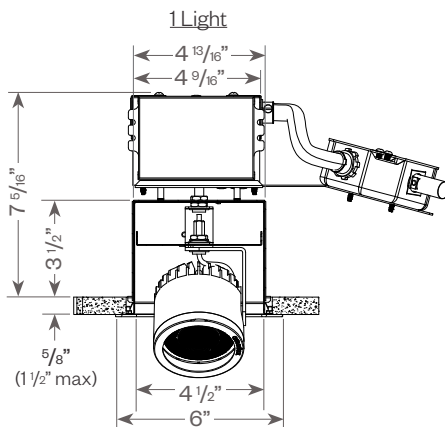


	2 Light	3 Light	4 Light
A	11 9/4"	16 1/4"	20 3/4"
B	17 1/2"	22"	26 1/2"
C	6"	6"	6"

**Ceiling Cut Out:**  
 1 Light - 5 1/4" x 6 5/8"  
 2 Light - 5 1/4" x 11 1/8"  
 3 Light - 5 1/4" x 15 5/8"  
 4 Light - 5 1/4" x 20 1/8"

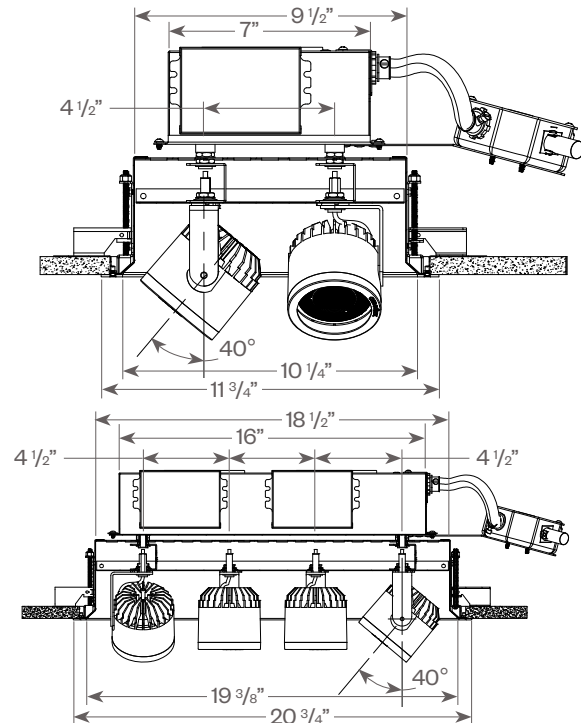
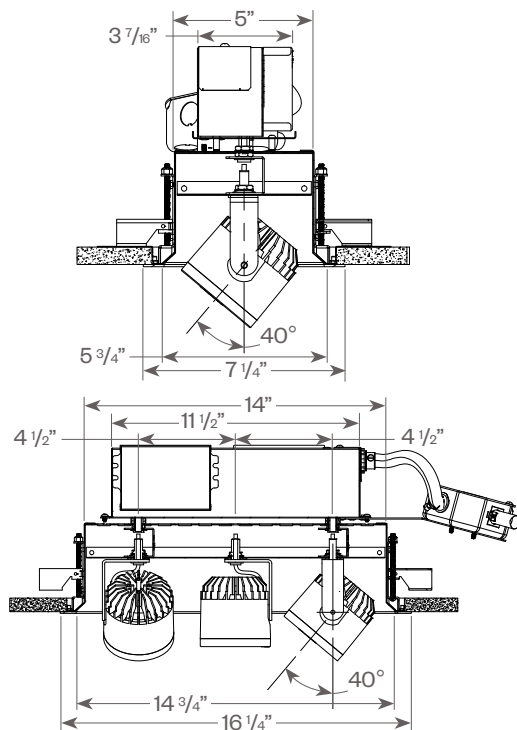
### End View

Hi-lume®/0-10V/DALI Driver



### Side View

Hi-lume®/0-10V/DALI Driver





# Cylindrix® III Mini

## Remodeler Multiples



PROJECT:

TYPE:

### Performance Data (per head)

Multiplying Factors: (Multiplying Factor is based on 3000K-83 120V IES file on website)

CCT:	2700K-83	3000K-83	3500K-83	4000K-83
Factor:	0.96	1.0	1.02	1.04

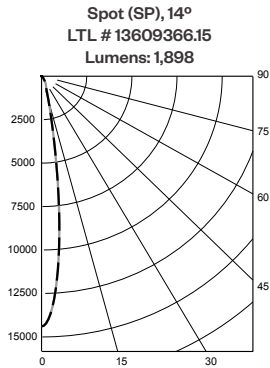
Wattage:	15W	21W
Factor:	0.71	1.0

Note: For 18W (VNSP only) data see pg 10.

CCT:	2200K-90+	2700K-90+	3000K-90+	3500K-90+	4000K-90+	CRISP	3CLA
Factor:	0.66	0.83	0.86	0.90	0.93	0.65	0.70

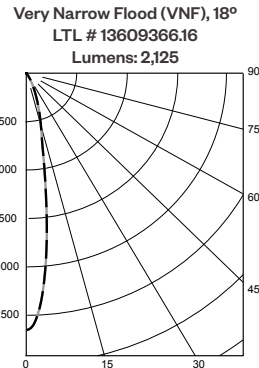
### 21W LED, 3000K-83

Note: For FL & WF data see pg 10.



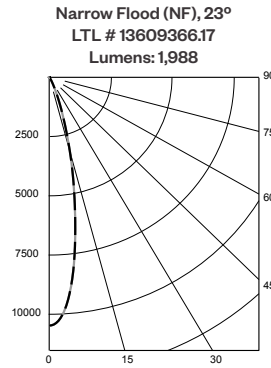
**Candelas at Nadir**

Deg	Candela
0	14400
5	10490
15	1426
25	560
35	233
45	110



**Candelas at Nadir**

Deg	Candela
0	13260
5	10300
15	2656
25	810
35	136
45	33



**Candelas at Nadir**

Deg	Candela
0	10480
5	9150
15	2963
25	453
35	86
45	47

### Application Data (per head)

#### Notes and Definitions:

Beam spread is to 50% center beam candlepower (CBCP).

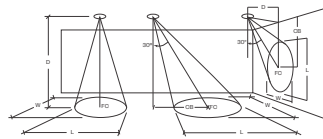
D=Distance to floor or wall.

FC=Footcandles on floor or wall at center beam aiming location.

L=Effective Visual Beam Length in feet (50% of maximum footcandle level).

W=Effective Visual Beam Width in feet (50% of maximum footcandle level).

CB=Distance across or down to center beam location.



	0° Aiming Angle Horizontal Footcandles				30° Aiming Angle Horizontal Footcandles					30° Aiming Angle Vertical Footcandles					60° Aiming Angle Vertical Footcandles				
	D	FC	L	W	D	FC	L	W	CB	D	FC	L	W	CB	D	FC	L	W	CB
SPOT	5.0'	575	1.2	1.2	5.0'	371	1.6	1.4	3.0	3.0'	216	2.8	1.4	5.0	3.0'	779	1.3	1.1	2.0
	7.5'	256	1.9	1.9	7.5'	166	2.5	2.2	4.0	4.0'	130	3.5	1.8	6.0	4.0'	555	1.5	1.2	2.0
	10.0'	144	2.7	2.7	10.0'	92	3.4	3.0	6.0	5.0'	82	4.3	2.5	8.0	5.0'	361	1.8	1.4	3.0
	12.5'	93	3.2	3.2	12.5'	61	4.1	3.6	7.0	6.0'	58	5.2	2.9	9.0	6.0'	247	2.2	1.6	3.0
VERY NARROW FLOOD	5.0'	531	1.4	1.4	5.0'	342	1.9	1.5	3.0	3.0'	200	3.4	1.6	5.0	3.0'	745	1.5	1.2	2.0
	7.5'	236	2.2	2.2	7.5'	155	2.9	2.6	4.0	4.0'	124	4.1	2.1	6.0	4.0'	529	1.7	1.3	2.0
	10.0'	133	3.0	3.0	10.0'	85	3.9	3.4	6.0	5.0'	77	5.2	2.9	7.0	5.0'	333	2.1	1.6	3.0
	12.5'	85	3.6	3.6	12.5'	57	4.7	4.1	7.0	6.0'	56	6.2	3.2	9.0	6.0'	235	2.4	1.9	3.0
NARROW FLOOD	5.0'	420	1.8	1.8	5.0'	271	2.5	2.2	3.0	3.0'	193	3.2	1.8	4.0	3.0'	628	1.9	1.3	2.0
	7.5'	187	2.9	2.9	7.5'	126	3.5	3.2	4.0	4.0'	105	4.5	2.8	6.0	4.0'	443	1.9	1.6	2.0
	10.0'	105	3.7	3.7	10.0'	71	4.8	4.2	5.0	5.0'	70	5.4	3.3	7.0	5.0'	265	2.6	2.2	3.0
	12.5'	67	4.7	4.7	12.5'	45	6.0	5.4	7.0	6.0'	49	6.6	3.9	8.0	6.0'	197	2.9	2.6	3.0

# Cylindrix® III Mini

## Remodeler Multiples



PROJECT:

TYPE:

### Performance Data (per head, continued)

Multiplying Factors: (Multiplying Factor is based on 3000K-83 120V IES file on website)

OCT:	2700K-83	3000K-83	3500K-83	4000K-83
Factor:	0.96	1.0	1.02	1.04

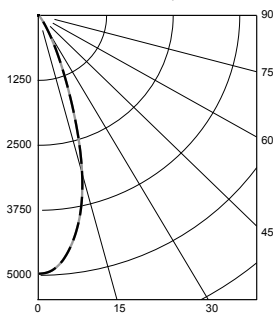
Wattage:	15W	21W
Factor:	0.71	1.0

OCT:	2200K-90+*	2700K-90+	3000K-90+	3500K-90+	4000K-90+	CRISP*	3CLA
Factor:	0.66	0.83	0.86	0.90	0.93	0.65	0.70

\* Not available for use with 18W.

### 21W LED, 3000K-83

Flood (FL), 34°  
LTL # 13609366.18  
Lumens: 1,960

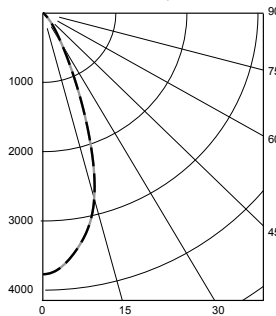


**Candelas at Nadir**

Deg	Candela
0	4970
5	4780
15	3130
25	913
35	193
45	55

Note: For SP, VNF, NF data see pg 9.

Wide Flood (WF), 44°  
LTL # 13609366.19  
Lumens: 1,930

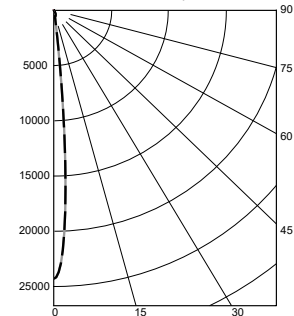


**Candelas at Nadir**

Deg	Candela
0	3771
5	3624
15	2758
25	1034
35	308
45	101

### 18W LED, 3000K (VNSP only)

Very Narrow Spot (VNSP), 8°  
LTL #1170140  
Lumens: 1,096



**Candelas at Nadir**

Deg	Candela
0	24308
5	8980
15	527
25	394
35	131
45	57

### Application Data (per head, continued)

#### Notes and Definitions:

Beam spread is to 50% center beam candlepower (CBCP).

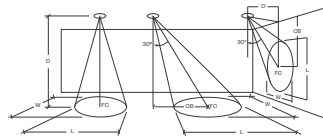
D=Distance to floor or wall.

FC=Footcandles on floor or wall at center beam aiming location.

L=Effective Visual Beam length in feet (50% of maximum footcandle level).

W=Effective Visual Beam width in feet (50% of maximum footcandle level).

CB=Distance across or down to center beam location.



	0° Aiming Angle Horizontal Footcandles				30° Aiming Angle Horizontal Footcandles					30° Aiming Angle Vertical Footcandles					60° Aiming Angle Vertical Footcandles				
	D	FC	L	W	D	FC	L	W	CB	D	FC	L	W	CB	D	FC	L	W	CB
FLOOD	5.0'	199	3.0	3.0	5.0'	141	3.5	3.1	2.0	3.0'	124	3.3	2.7	3.0	3.0'	372	2.2	1.8	1.0
	7.5'	89	4.4	4.4	7.5'	63	5.2	4.8	3.0	4.0'	70	4.5	3.4	4.0	4.0'	221	2.9	2.7	2.0
	10.0'	50	5.8	5.8	10.0'	36	6.9	6.4	4.0	5.0'	45	5.6	4.4	5.0	5.0'	143	3.5	3.1	2.0
	12.5'	32	7.3	7.3	12.5'	23	8.6	8.0	6.0	6.0'	32	6.8	5.2	7.0	6.0'	98	4.2	3.9	3.0
WIDE FLOOD	5.0'	151	3.2	3.2	5.0'	110	3.8	3.5	2.0	3.0'	109	3.2	2.7	3.0	3.0'	303	2.3	2.0	1.0
	7.5'	67	5.0	5.0	7.5'	49	5.6	5.4	3.0	4.0'	62	4.2	3.6	4.0	4.0'	167	3.1	3.0	2.0
	10.0'	38	6.6	6.6	10.0'	28	7.5	7.3	4.0	5.0'	40	5.3	4.6	5.0	5.0'	111	3.8	3.5	2.0
	12.5'	25	8.3	8.3	12.5'	18	9.5	9.1	5.0	6.0'	28	6.5	5.5	6.0	6.0'	76	4.6	4.5	2.0
18W only VERY NARROW SPOT	5.0'	967	1.0	1.0	5.0'	624	1.0	1.0	3.0	3.0'	360	1.5	1.0	5.0	3.0'	983	1.0	1.0	2.0
	7.5'	431	1.1	1.1	7.5'	251	1.8	1.1	4.0	4.0'	185	2.4	1.1	7.0	4.0'	729	1.1	1.0	2.0
	10.0'	243	1.3	1.3	10.0'	153	2.1	1.6	6.0	5.0'	129	2.7	1.2	8.0	5.0'	600	1.1	1.0	3.0
	12.5'	156	1.8	1.8	12.5'	102	2.4	2.2	7.0	6.0'	90	3.3	1.6	10.0	6.0'	325	1.9	1.0	3.0

# Cylindrix® III Mini

## Remodeler Multiples



PROJECT:

TYPE:

### Dimming Compatibility

Amerlux® Cylindrix® fixtures are compatible with all major dimming protocols prevalent in the United States. Please see below for general compatibilities and wiring diagrams. Amerlux recommends testing your unique dimming configuration as the exact full configuration (*Dimmer, Fixture Quantity, Voltage, etc*) may affect dimming performance.

--- NOTE: INFORMATION BELOW IS FOR WIRED DIMMERS ONLY. FOR WIRELESS DIMMERS, CONSULT FACTORY ---

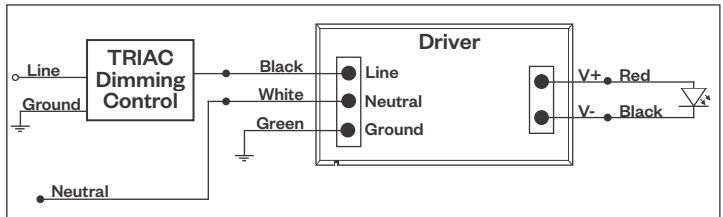
#### TRIAC (Forward Phase) Dimming

Utilizes standard TRIAC dimmers that are in wide use in installations across the US. Best for retrofit applications where TRIAC dimmers are installed.

##### Notes:

- 120VAC or 277VAC\*
- Dims down to 5% light output (*most cases*)
- Consult Dimming manufacturer for installation instructions - **DO NOT SHARE NEUTRALS!**
- Must meet dimmer Minimum Load Requirements per dimming manufacturer

#### TRIAC Wiring Diagram



Compatible Dimmers†:	
Wall Box (TRIAC 120VAC)	Central System
Lutron "Diva"	Lutron "GP" Panel
Lutron "Nova-T"	Lutron Grafik Eye QS
Lutron "Maestro"	
Lutron "Skylark"	

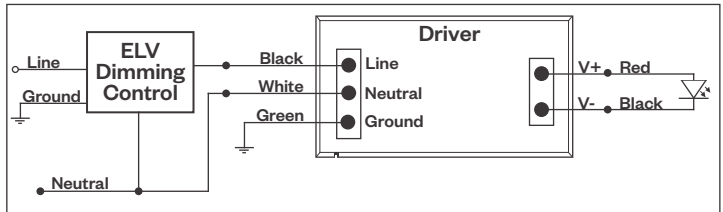
#### ELV - Electronic Low Voltage (Reverse Phase) Dimming

Utilizes specialized "ELV" dimmers.

##### Notes:

- 120VAC or 277VAC\*
- Dims down to 5% light output (*most cases*)
- Consult Dimming manufacturer for installation instructions - **DO NOT SHARE NEUTRALS!**
- Must meet dimmer Minimum Load Requirements per dimming manufacturer

#### ELV Wiring Diagram



Compatible Dimmers†:		
Wall Box (ELV 120VAC)	Wall Box (ELV 277VAC)	Central System
Lutron "Diva"	Leviton Revoir II AWSMT-E	Lutron "GP" Panel with PHPM-PA 120/277VAC
Lutron "Nova-T"		Lutron Grafik Eye QS with PHPM-PA 120/277VAC
Lutron "Maestro"		
Lutron "Skylark"		
Leviton "Surslide"		
Leviton "Vizio"		

##### Notes:

\* Driver is 277VAC dimmable with appropriate dimmer (*by others*). All provided wiring diagrams show 120VAC wiring colors and method. Please refer to 277VAC dimmer installation instructions for 277VAC wiring diagrams.

† The absence of a dimmer from the lists above does not imply incompatibility. Please consult factory for compatibility inquiries.

# Cylindrix® III Mini

## Remodeler Multiples



**PROJECT:**

**TYPE:**

### Dimming Compatibility *(continued)*

Amerlux® Cylindrix® fixtures are compatible with all major dimming protocols prevalent in the United States. Please see below for general compatibilities and wiring diagrams. Amerlux recommends testing your unique dimming configuration as the exact full configuration (*Dimmer, Fixture Quantity, Voltage, etc*) may affect dimming performance.

**--- NOTE: INFORMATION BELOW IS FOR WIRED DIMMERS ONLY. FOR WIRELESS DIMMERS, CONSULT FACTORY ---**

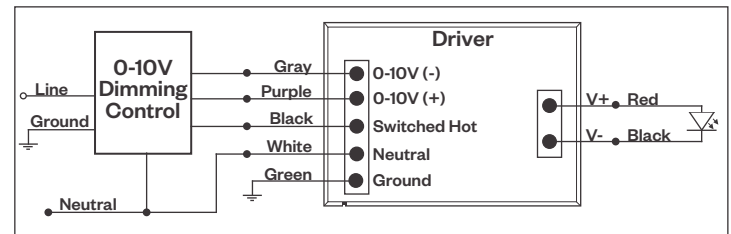
#### 0-10V Dimming

Integrates into a variety of building management and daylighting controls

**Notes:**

- 120VAC or 277VAC\*
- Dims down to 1% light output
- Requires interface to turn off power to driver
- Consult Dimming manufacturer for installation instructions - **DO NOT SHARE NEUTRALS!**

#### 0-10V Wiring Diagram



**Compatible Dimmers\*:**

Wall Box		Central System
Lutron "Diva" - DVSTV	Leviton Renoir II 0-10V	Lutron Grafik Eye with GRX-TVI Interface

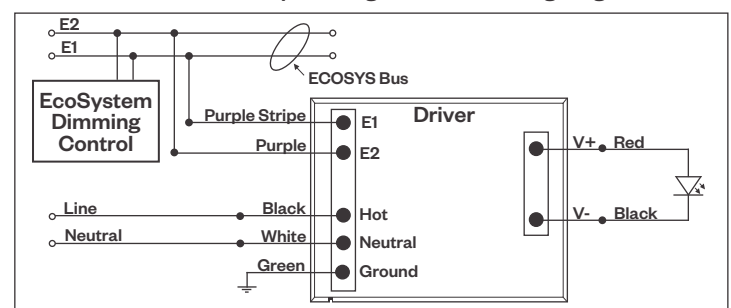
#### Lutron LDE1 Dimming

Integrates into Lutron EcoSystem building management

**Notes:**

- 120VAC or 277VAC\*
- Dims down to 1% Soft-On/Fade-to-Black
- EcoSystem Control
- Consult Dimming manufacturer for installation instructions - **DO NOT SHARE NEUTRALS!**

#### LDE1 (HILUME-H-ECO) EcoSystem Digital Control Wiring Diagram



**Compatible Dimmers\*:**

Lutron ECO System	Central System
Pow Pak Dimming Modules	Lutron EcoSystem compatible controls
Energi Savr Node	
Grafik Eye QS/Homeworks	
QS Control Unit	
Quantum Hub	
Homeworks QS/My Room	

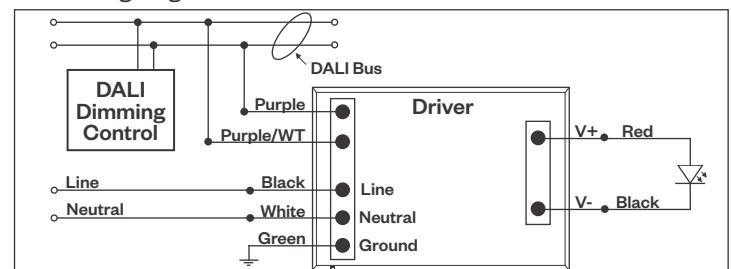
#### DALI Dimming

Digital control protocol allows individual fixture control

**Notes:**

- 120VAC - 277VAC\*
- Dims down to 1% light output in most cases

#### DALI Wiring Diagram



**Compatible Dimmers\*:**

Wall Box (3-Wire Fluorescent)	Central System
Leviton CD250 Controller	Dynalite
	Fifth Light

**Notes:**

\* Driver is 277VAC dimmable with appropriate dimmer (*by others*). All provided wiring diagrams show 120VAC wiring colors and method. Please refer to 277VAC dimmer installation instructions for 277VAC wiring diagrams.

† The absence of a dimmer from the lists above does not imply incompatibility. Please consult factory for compatibility inquiries.