



AMERLUX®
LIGHTING SOLUTIONS

ADAPT. ABILITY.™

INSTALLATION INSTRUCTIONS
SHEET #: 689-0300

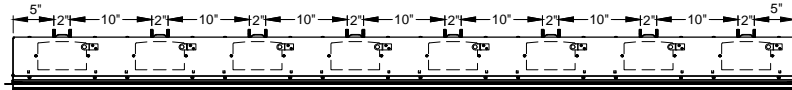
SPEC. SHEET
REFERENCE:
CMT4

CMT4

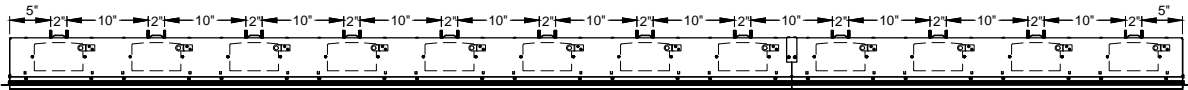
Gyp Board Ceiling

WARNING - RISK OF FIRE AND ELECTRICAL SHOCK. FIXTURE MUST BE INSTALLED BY A QUALIFIED ELECTRICIAN ONLY. FIXTURE IS INTENDED FOR INSTALLATION IN ACCORDANCE WITH THE NATIONAL ELECTRICAL CODE, LOCAL AND FEDERAL SPECIFICATIONS. DISCONNECT POWER AT ELECTRICAL PANEL BEFORE SERVICING .
RETAIN THESE INSTRUCTIONS FOR MAINTENANCE REFERENCE.

Suspension Points

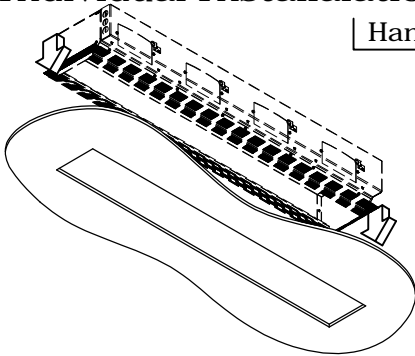


Example of an individual fixture



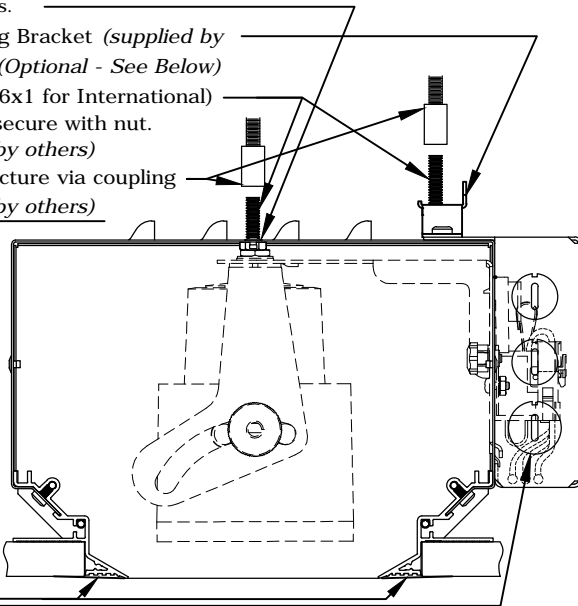
Example of a continuous row

Individual Installation - Fixture **MUST** be mounted before ceiling is installed.



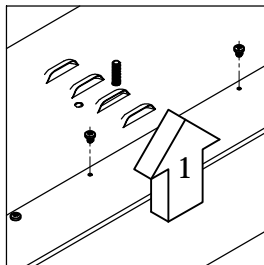
Hanging the Fixture Via Threaded Rods.* (Optional)

1. Remove $\frac{5}{16}$ " KO's.
2. Install Leveling Bracket (supplied by Amerlux) (Optional - See Below)
3. Insert $\frac{1}{4}$ -20 (M6x1 for International) bolts and secure with nut. (supplied by others)
4. Secure to structure via coupling (supplied by others)



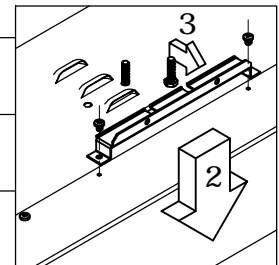
1. Hang the Fixture via threaded rods. (Optional) SUPPORT METHOD (SUPPLIED BY OTHERS)
2. Once the fixture is secure, feed power source and splice to harness according to code.
3. Install Ceiling (By Others) per dimension on cross section.
4. Spackle in fixture (By Others)

* If using threaded rods: Fixture requires at least (1) suspension points be connected for every 3ft. of fixture.



Leveling Bracket Installation (Optional)

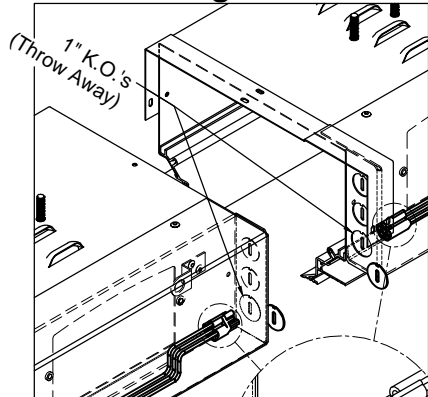
- 1: Remove set of #10 x $\frac{1}{4}$ " mounting screws from galvanized wireway.
- 2: Add support bracket and secure via #10 x $\frac{3}{8}$ " mounting screws (supplied by Amerlux.)
- 3: Then secure suspension hardware in correct slot (Supplied by Others)



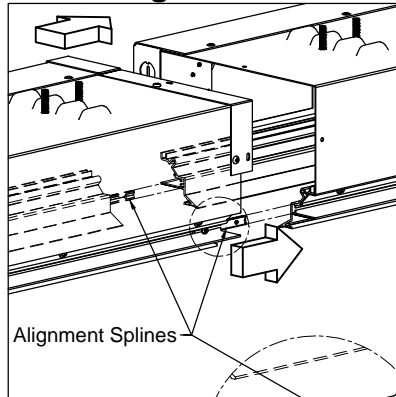
Amerlux, LLC. - 178 Bauer Drive, Oakland NJ 07436 - T: 973-882-5010 - F: 973-882-2605
www.amerlux.com



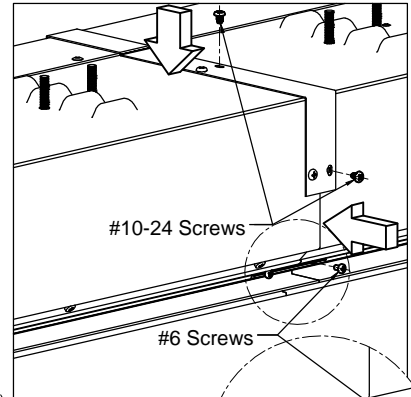
2. Assembling Continuous Rows-Single Circuit



Remove 1" K.O.'s and disregard. Run plug out through hole. Connect power feed between housings via quick connect plugs. Once connected, push plug assembly back into fixture.



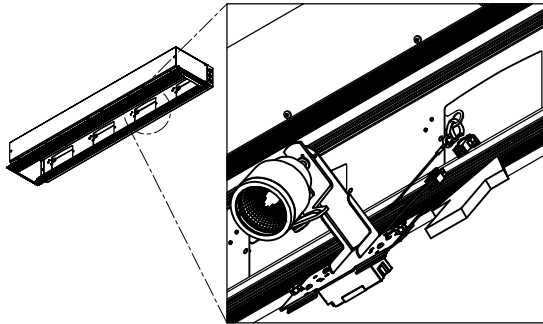
Slide housings together. Slide alignment splines into cavity in extrusion. Slots on joining strap should match holes on the end of housing.



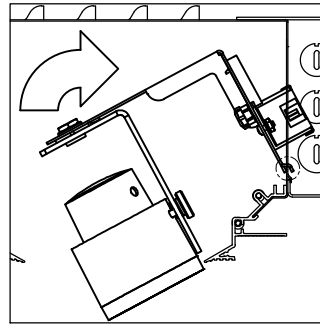
Secure together with screws. #10-24 screws for joining strap and #6 screws for alignment splines. (Screws supplied by Amerlux)

3. Module Installation

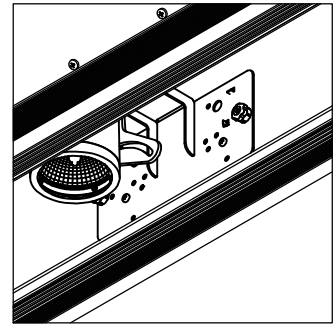
Attach safety chain to eyelet in window. Once secured, connect module to power line via quick connect plugs.



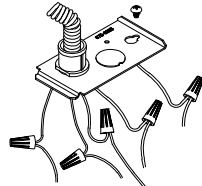
Once power is connected, maneuver module into housing then line it up with window and tip/tilt in to where bottom flanges straddle housing



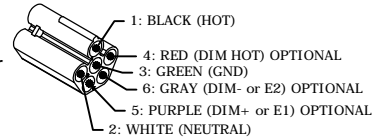
Once in, secure module in place via the attached thumbscrews. NOTE: all windows must be covered by modules or blanking plates.



TYPICAL WIRING



Remove access cover at feed location. Cut connector off of harness or splice according to code. Connect wiring as shown. Cap any unused wires.

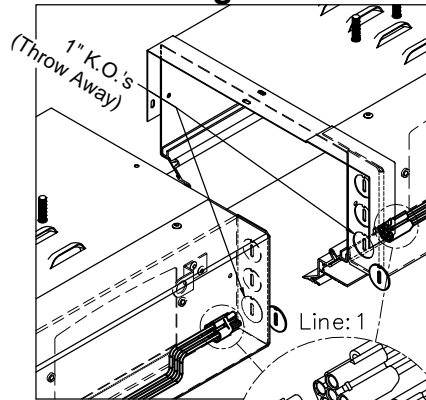


MAKE SURE TO DISCONNECT ALL ELECTRICAL CONNECTIONS BEFORE RELAMPING .

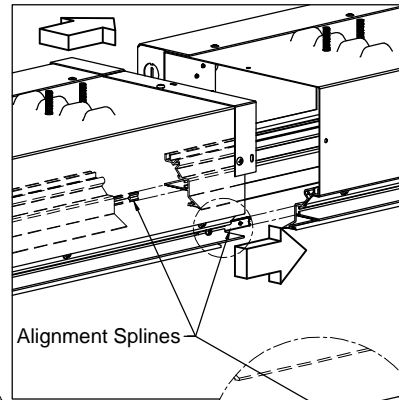
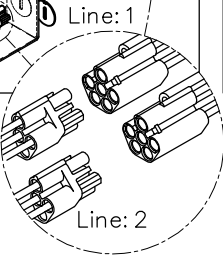
- 1. Install correct lamps.** See relamping label on module for the correct wattage.
- 2. Ballast maintenance.** Ballasts are located on opposite side of module. Loosen thumbscrews mounting the module and remove to access.



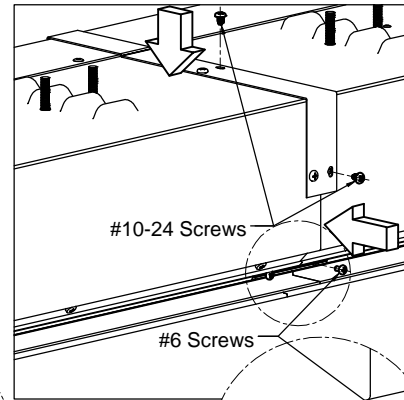
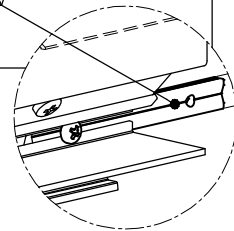
2. Assembling Continuous Rows-Multi Circuit



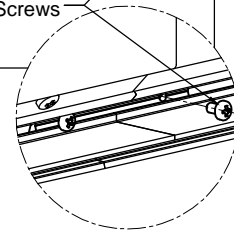
Remove 1" K.O.'s and disregard. Run plug out through hole. Connect power feed between housings via quick connect plugs. Once connected, push plug assembly back into fixture.



Slide housings together. Slide alignment splines into cavity in extrusion. Slots on joining strap should match holes on the end of housing.



Secure together with screws. #10-24 screws for joining strap and #6 screws for alignment splines. (Screws supplied by Amerlux)

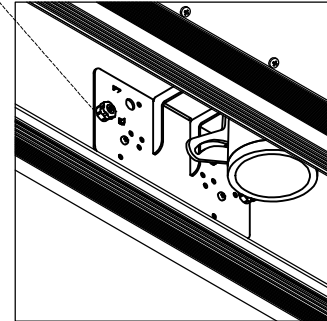
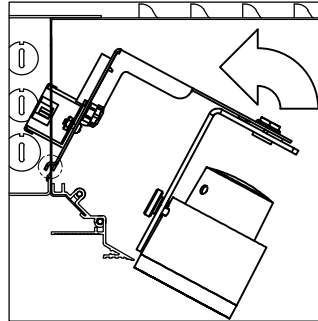
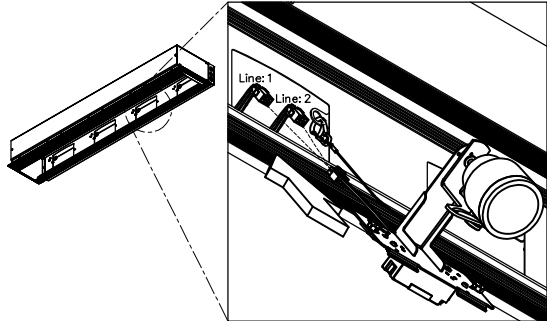


3. Module Installation

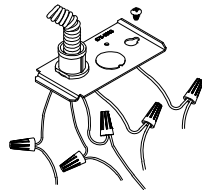
Attach safety chain to eyelet in window. Once secured, connect module to appropriate power line via quick connect plugs.

Once power is connected, maneuver module into housing then line it up with window and tip/tilt in to where bottom flanges straddle housing

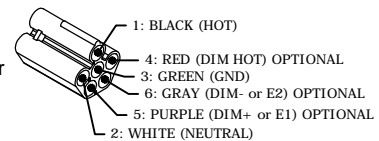
Once in, secure module in place via the attached thumbscrews. NOTE: all windows must be covered by modules or blanking plates.



TYPICAL WIRING



Remove access cover at feed location. Cut connector off of harness or splice according to code. Connect wiring as shown. Cap any unused wires.



MAKE SURE TO DISCONNECT ALL ELECTRICAL CONNECTIONS BEFORE RELAMPING .

1. **Install correct light module.** LED module with Lens optics and accessories, if applicable. Aim Light Module and lock in place.
2. **Ballast/Driver maintenance.** Ballasts/Drivers are located on opposite side of module. Loosen thumbscrews mounting the module and remove to access.