



AMERLUX[®]
LIGHTING SOLUTIONS

ADAPT. ABILITY.™

INSTALLATION INSTRUCTIONS
SHEET #: 689-0800

SPEC. SHEET
REFERENCE:
QLRK-MF1

QLRK-MF1

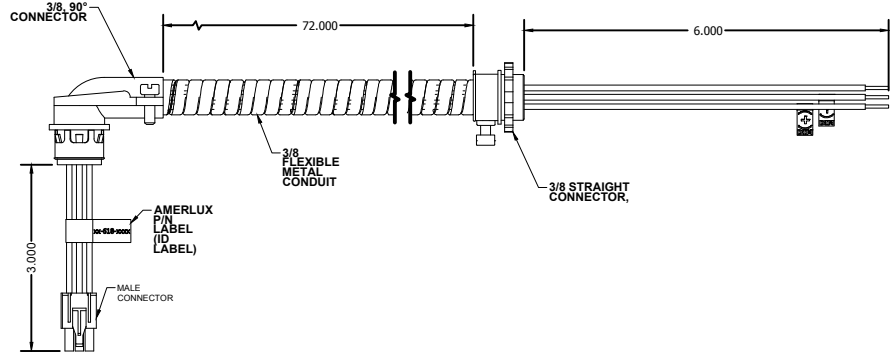
QLR4 Male Plug, Feed Kit

WARNING - RISK OF FIRE AND ELECTRICAL SHOCK. FIXTURE MUST BE INSTALLED BY A QUALIFIED ELECTRICIAN ONLY. FIXTURE IS INTENDED FOR INSTALLATION IN ACCORDANCE WITH THE NATIONAL ELECTRICAL CODE, LOCAL AND FEDERAL SPECIFICATIONS. DISCONNECT POWER AT ELECTRICAL PANEL BEFORE SERVICING.

FOR RUNS WIRED FOR EM - UNIT HAS MORE THAN ONE POWER SUPPLY CONNECTION POINT. TO REDUCE THE RISK OF ELECTRIC SHOCK, DISCONNECT BOTH THE BRANCH CIRCUIT-BREAKERS OR FUSES AND EMERGENCY/BACKUP POWER SUPPLIES BEFORE SERVICING

RETAIN THESE INSTRUCTIONS FOR MAINTENANCE REFERENCE.

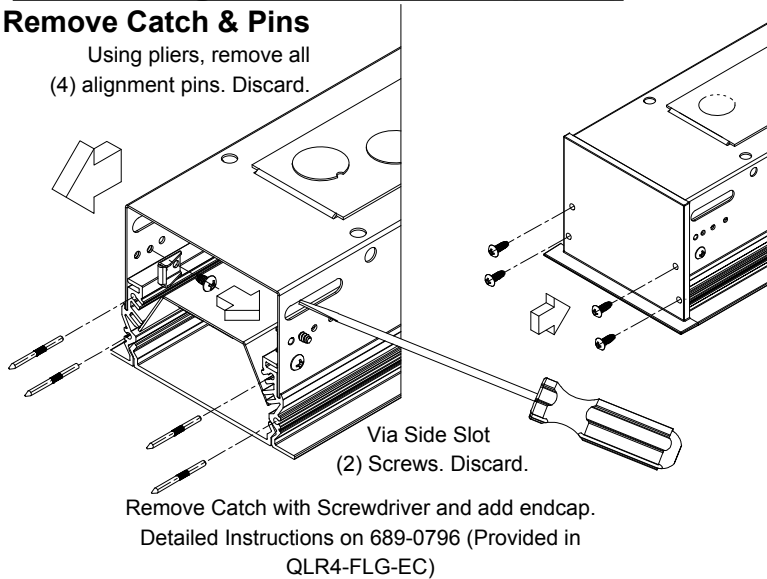
QLR4-MF1 Contents



For Flange End of Run (EoR)

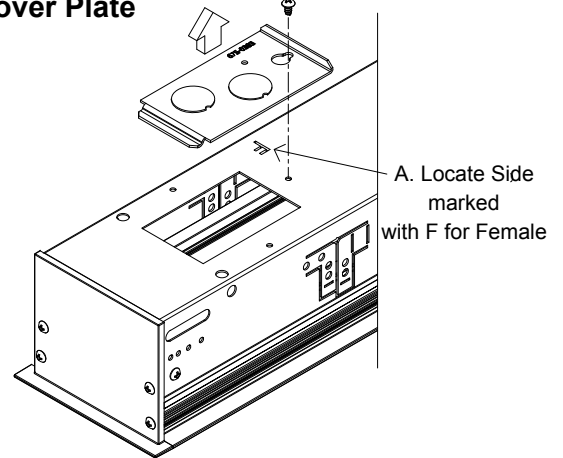
Remove Catch & Pins

Using pliers, remove all (4) alignment pins. Discard.

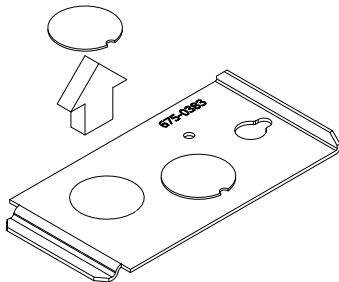


1: Remove Cover Plate

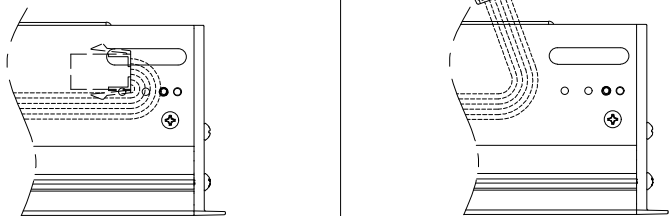
B. Remove #6-20 x 1/4" screw* to Remove Cover Plate



2: Remove One Knock Out

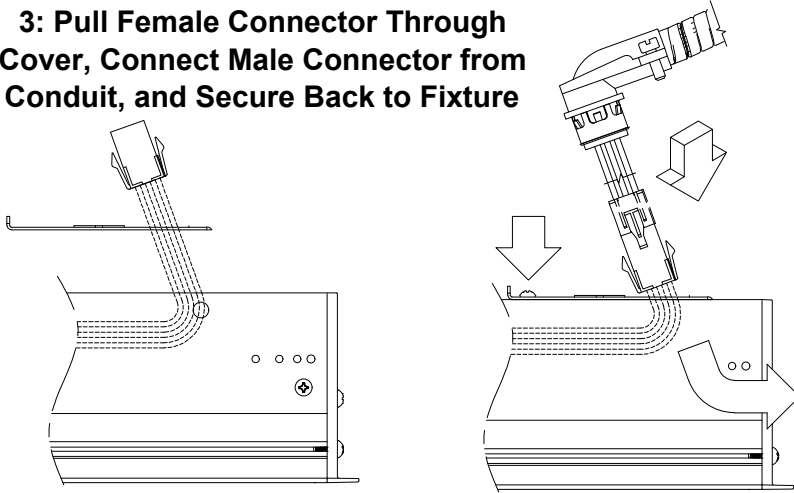


3: Pull Female Connector From Opening

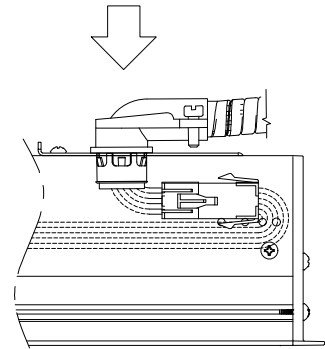




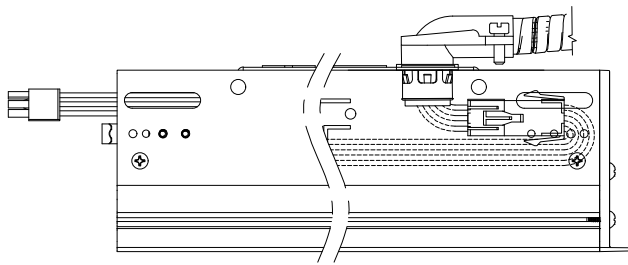
3: Pull Female Connector Through Cover, Connect Male Connector from Conduit, and Secure Back to Fixture



4: Push connectors into fixture as shown and secure 90° connector.

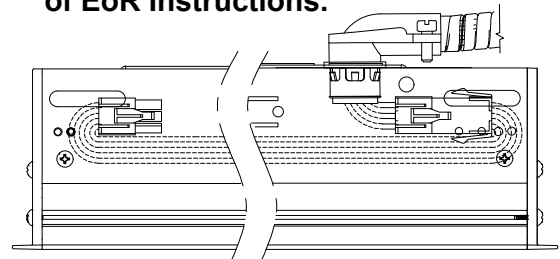


Flange End of Run (EoR)



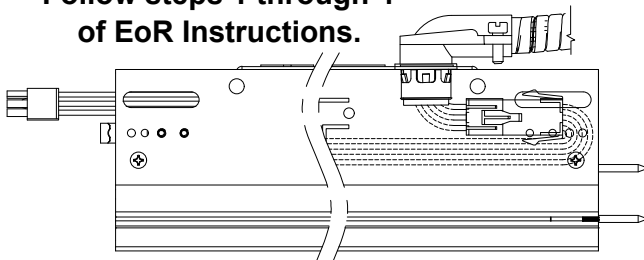
Flange Individual (IND)

Follow steps 1 through 4 of EoR Instructions.



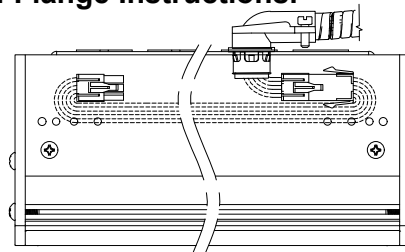
Flange Middle of Run (MoR)

Follow steps 1 through 4 of EoR Instructions.



For Grid Individual (IND)

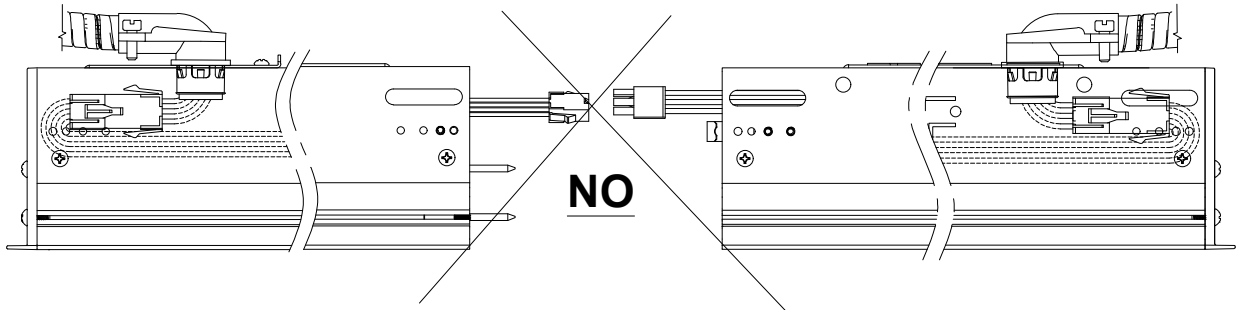
1: Follow steps 1 through 4 of Flange Instructions.



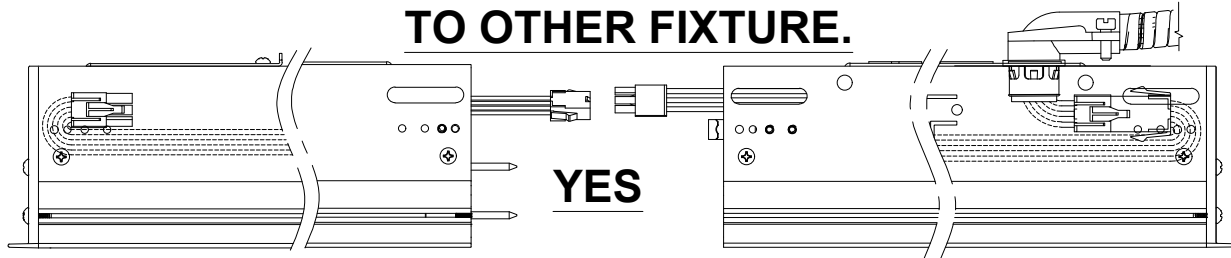
DO NOT FEED A CONTINUOUS RUN IN (2) OR MORE LOCATIONS.



**DO NOT MAKE A CONTINUOUS RUN
WHEN FIXTURES ARE POWERED AT
BOTH ENDS**



**FEED ON ONE SIDE AND CONTINUE
TO OTHER FIXTURE.**



Wiring Schematic

Wire Colors

Black - Switched Hot	Gray - Dim (-)
White - Neutral	Purple - Dim (+)
Green - Ground	Orange (Red) - EM Unswitched Hot
	Optional - Cap if Unused

Dimmer: 0-10V
(By Others)

